



US00D596489S

(12) **United States Design Patent**
Weiss

(10) **Patent No.:** **US D596,489 S**

(45) **Date of Patent:** **** Jul. 21, 2009**

(54) **SPHERICAL DRINK CONTAINER**

(75) Inventor: **Thomas C. Weiss**, Ladera Ranch, CA (US)

(73) Assignee: **GT Beverages, LLC**, Laguna Niguel, CA (US)

(**) Term: **14 Years**

(21) Appl. No.: **29/313,910**

(22) Filed: **Feb. 18, 2009**

Related U.S. Application Data

(63) Continuation-in-part of application No. 29/308,099, filed on May 28, 2008.

(51) **LOC (9) Cl.** **09-01**

(52) **U.S. Cl.** **D9/519; D9/520**

(58) **Field of Classification Search** D9/500–505, D9/519, 520, 549, 600–681, 434, 904; D7/509–511, D7/515, 518; 215/373, 379–385; 220/606, 220/608, 609, 635, 662, 669–675
See application file for complete search history.

(56) **References Cited**

U.S. PATENT DOCUMENTS

| | | | | | |
|-----------|------|---------|---------------------|-------|---------|
| D212,525 | S * | 10/1968 | Kneapler | | D9/500 |
| 3,496,652 | A * | 2/1970 | Conte et al. | | 434/259 |
| 4,108,324 | A * | 8/1978 | Krishnakumar et al. | | 215/373 |
| 4,598,831 | A * | 7/1986 | Nakamura et al. | | 215/373 |
| 5,407,086 | A * | 4/1995 | Ota et al. | | 215/383 |
| 6,585,123 | B1 * | 7/2003 | Pedmo et al. | | 215/10 |
| D487,697 | S * | 3/2004 | Rosen | | D9/745 |
| D509,742 | S * | 9/2005 | Biondich et al. | | D9/519 |
| 7,004,342 | B2 * | 2/2006 | Bourque et al. | | 215/384 |
| D534,803 | S * | 1/2007 | Tsai et al. | | D9/519 |
| 7,178,684 | B1 * | 2/2007 | Budden et al. | | 215/381 |

| | | | | | |
|--------------|------|---------|-------------|-------|---------|
| D548,091 | S * | 8/2007 | Dalton | | D9/519 |
| D554,523 | S * | 11/2007 | Polina | | D9/668 |
| D561,043 | S * | 2/2008 | Lepoitevin | | D9/649 |
| D570,217 | S * | 6/2008 | Meillerais | | D9/502 |
| 2003/0222047 | A1 * | 12/2003 | McRae | | 215/373 |
| 2004/0195199 | A1 * | 10/2004 | Maki et al. | | 215/381 |
| 2008/0245757 | A1 * | 10/2008 | Durand | | 215/47 |

FOREIGN PATENT DOCUMENTS

| | | | |
|----|----------------|---|---------|
| EM | 001017222-0001 | * | 11/2008 |
| GB | 3025975 | * | 10/2006 |
| WO | DM/055380 | * | 2/2001 |

* cited by examiner

Primary Examiner—Catherine Tuttle

(74) *Attorney, Agent, or Firm*—Gene Scott; Patent Law & Venture Group

(57) **CLAIM**

The ornamental design for a spherical drink container, as shown and described.

DESCRIPTION

FIG. 1 is a perspective view of a spherical drink container showing my new design;

FIG. 2 is a front elevational view thereof;

FIG. 3 is a rear elevational view thereof.

FIG. 4 is a left side elevational view thereof

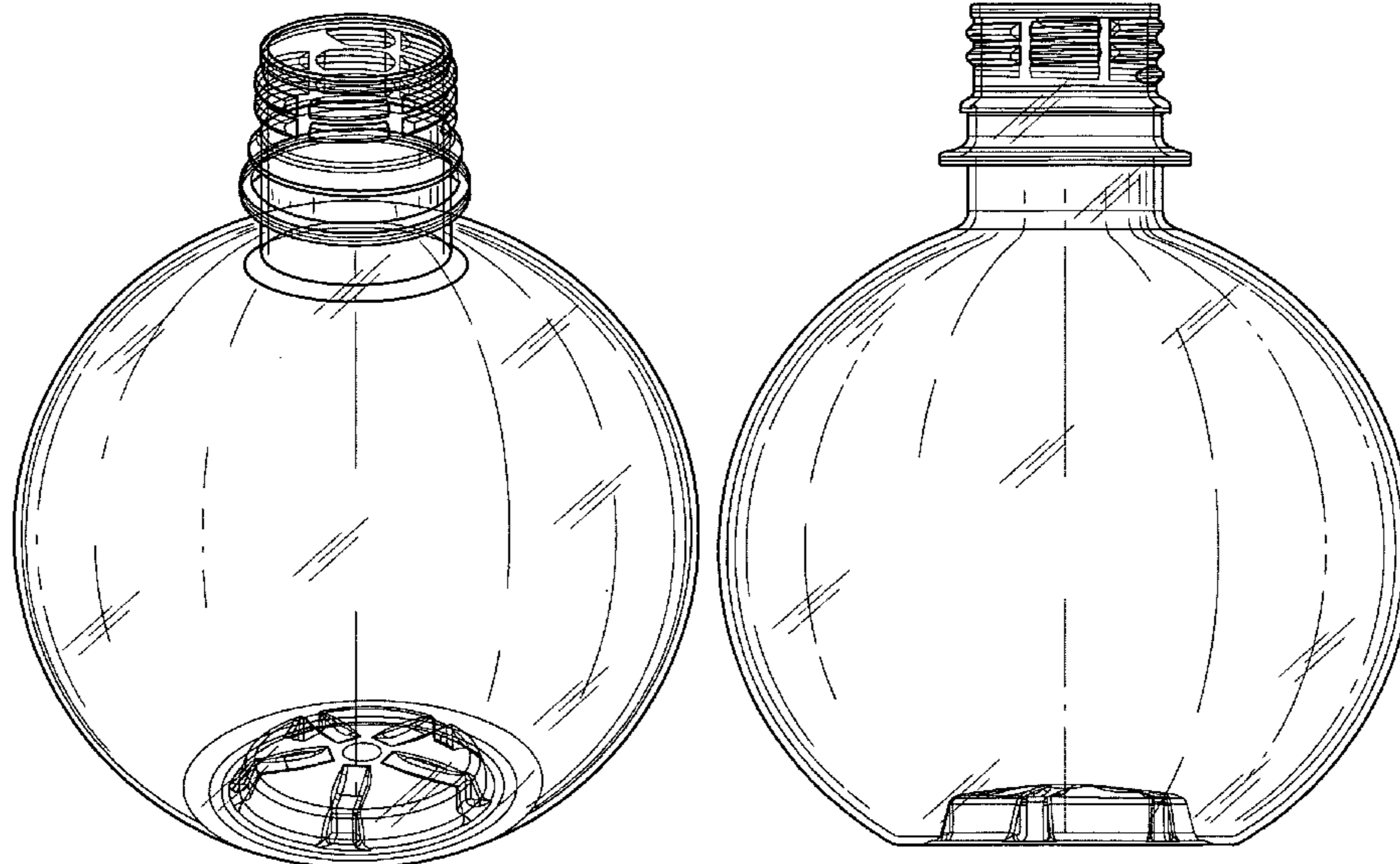
FIG. 5 is a right side elevational view thereof;

FIG. 6 is a top plan view thereof; and,

FIG. 7 is a bottom plan view thereof.

The outlines of the radiating bottom ribs that would be seen through the transparent walls on the far side in FIGS. 2–5 have been omitted in order to clearly illustrate the rib profiles on the near side in each elevation view.

1 Claim, 7 Drawing Sheets



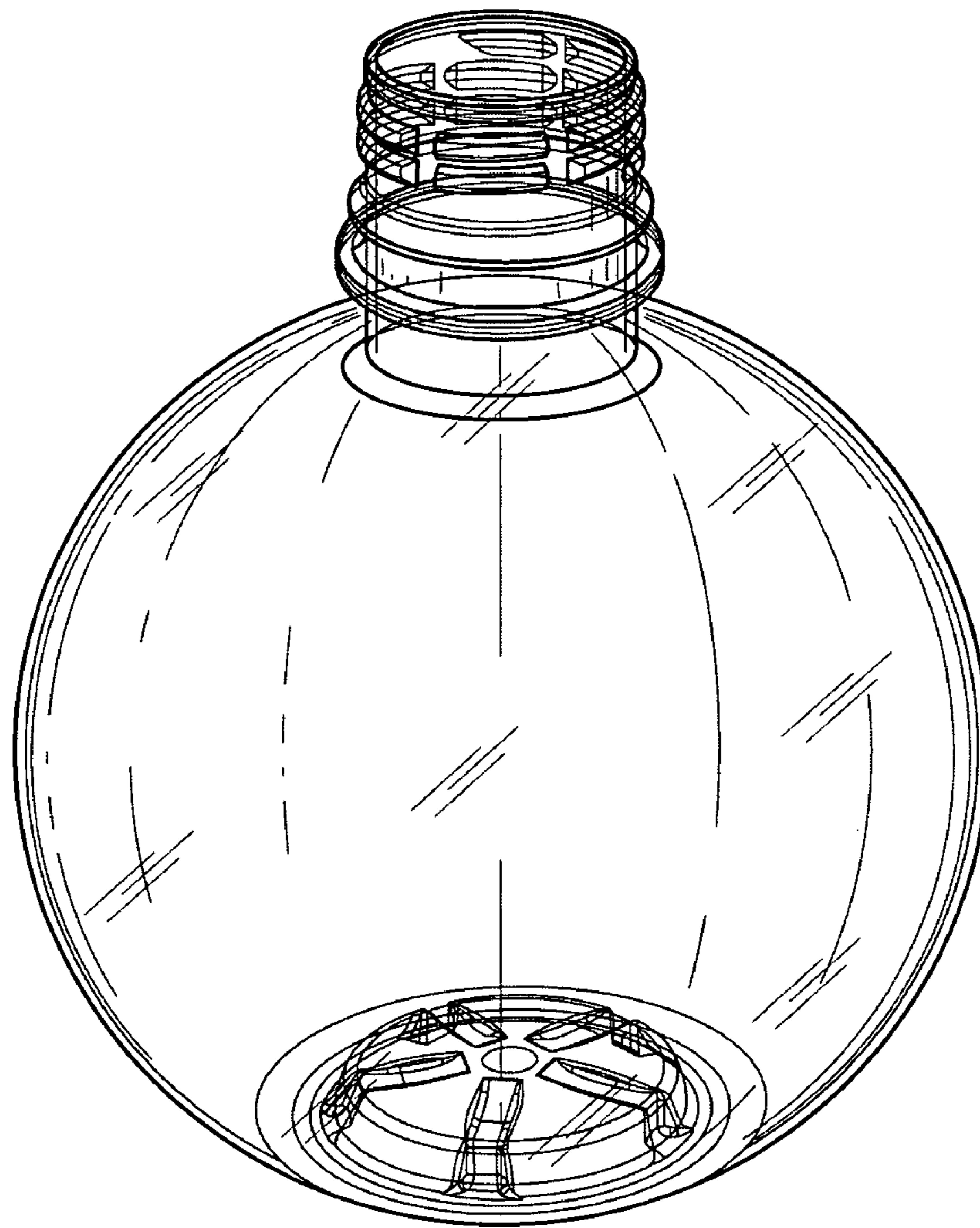


FIG. 1

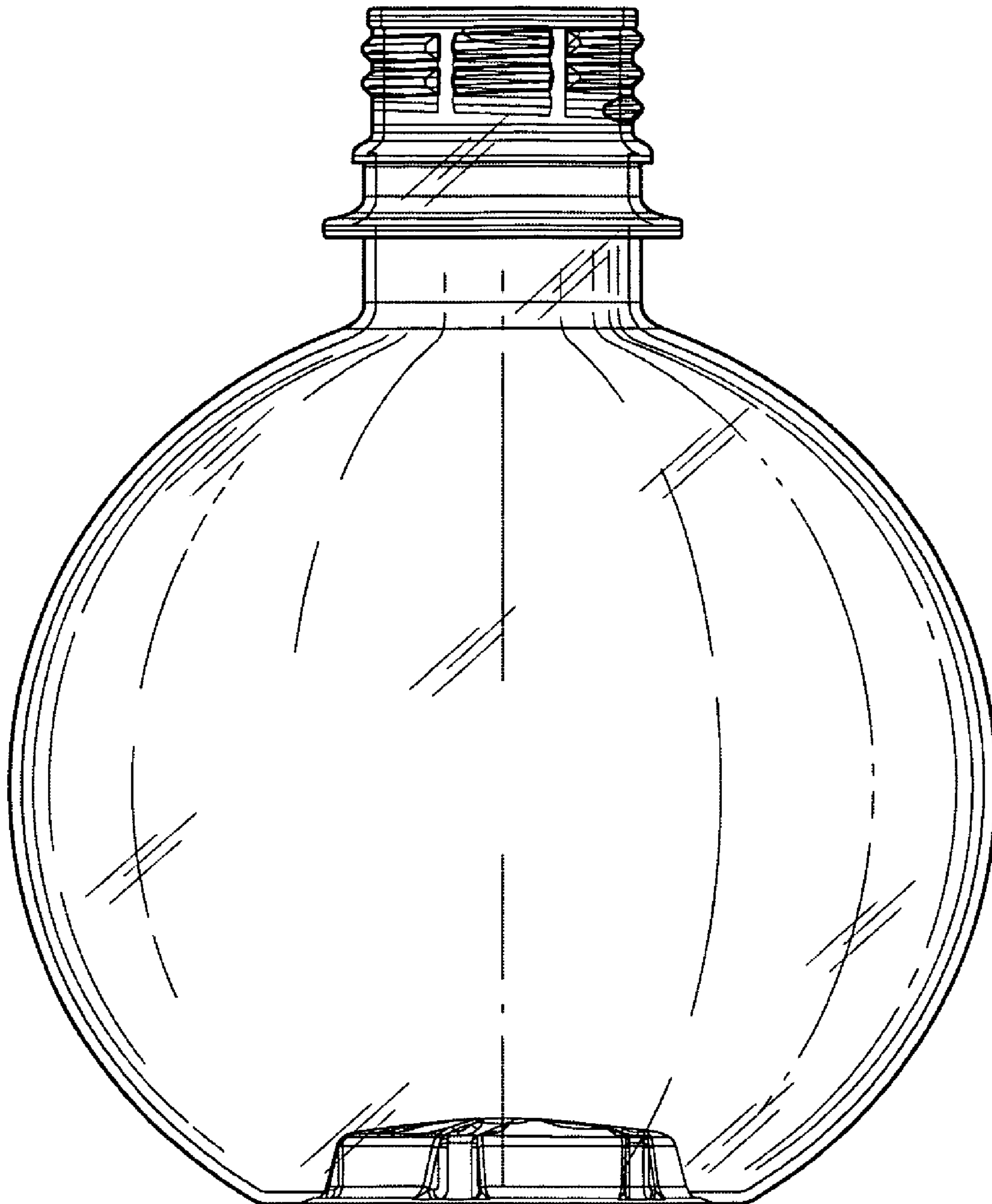


FIG. 2

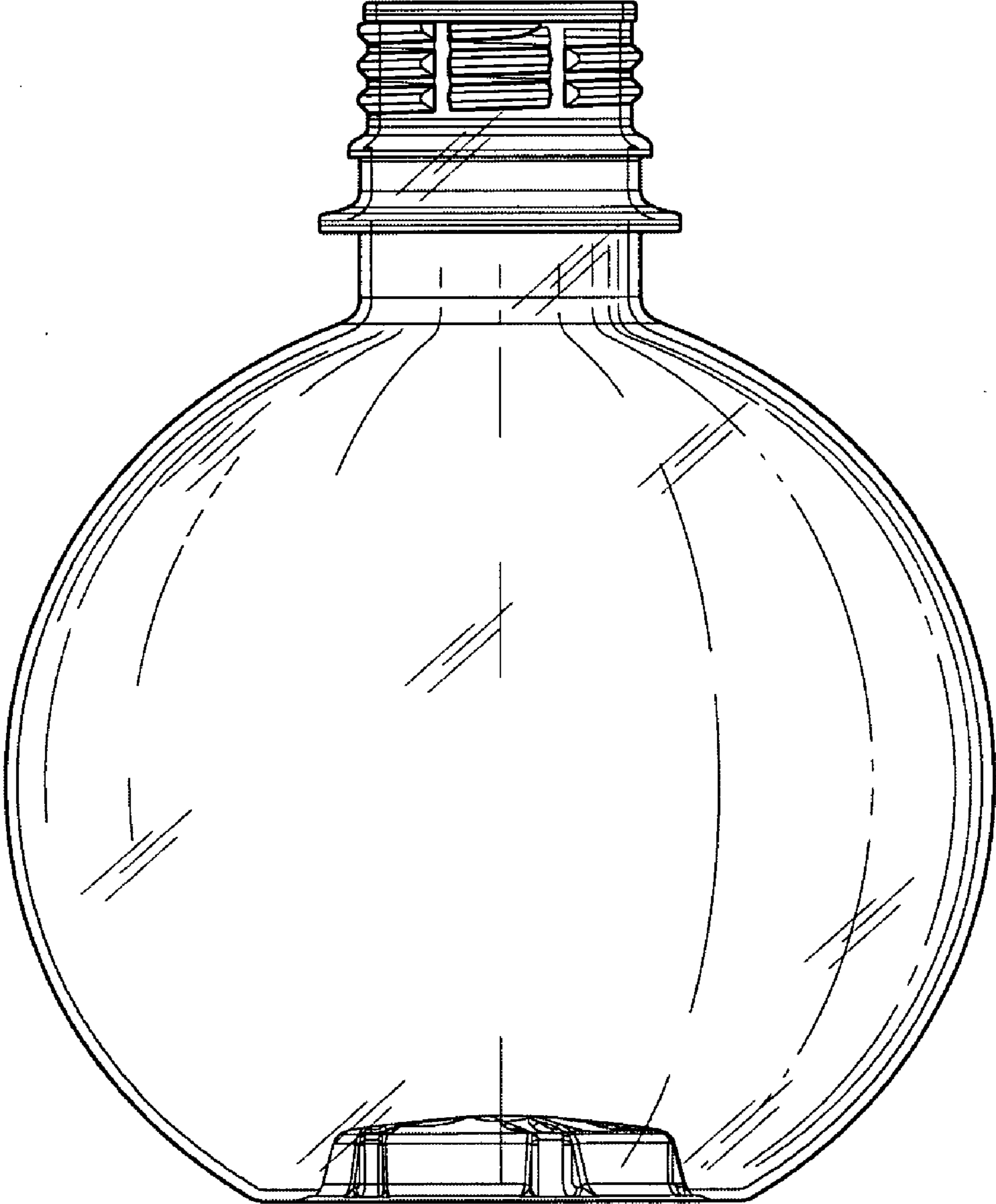


FIG. 3

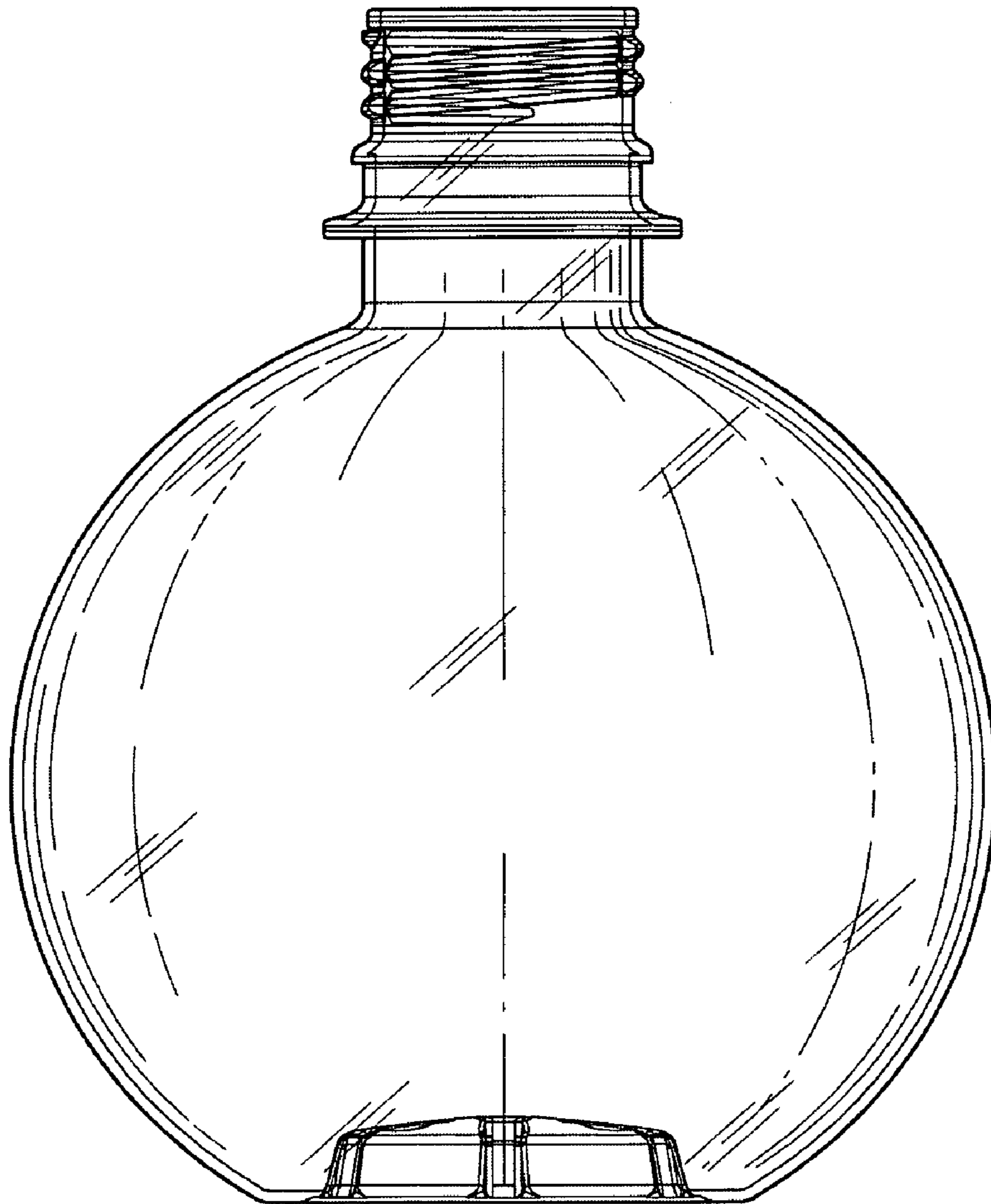


FIG. 4

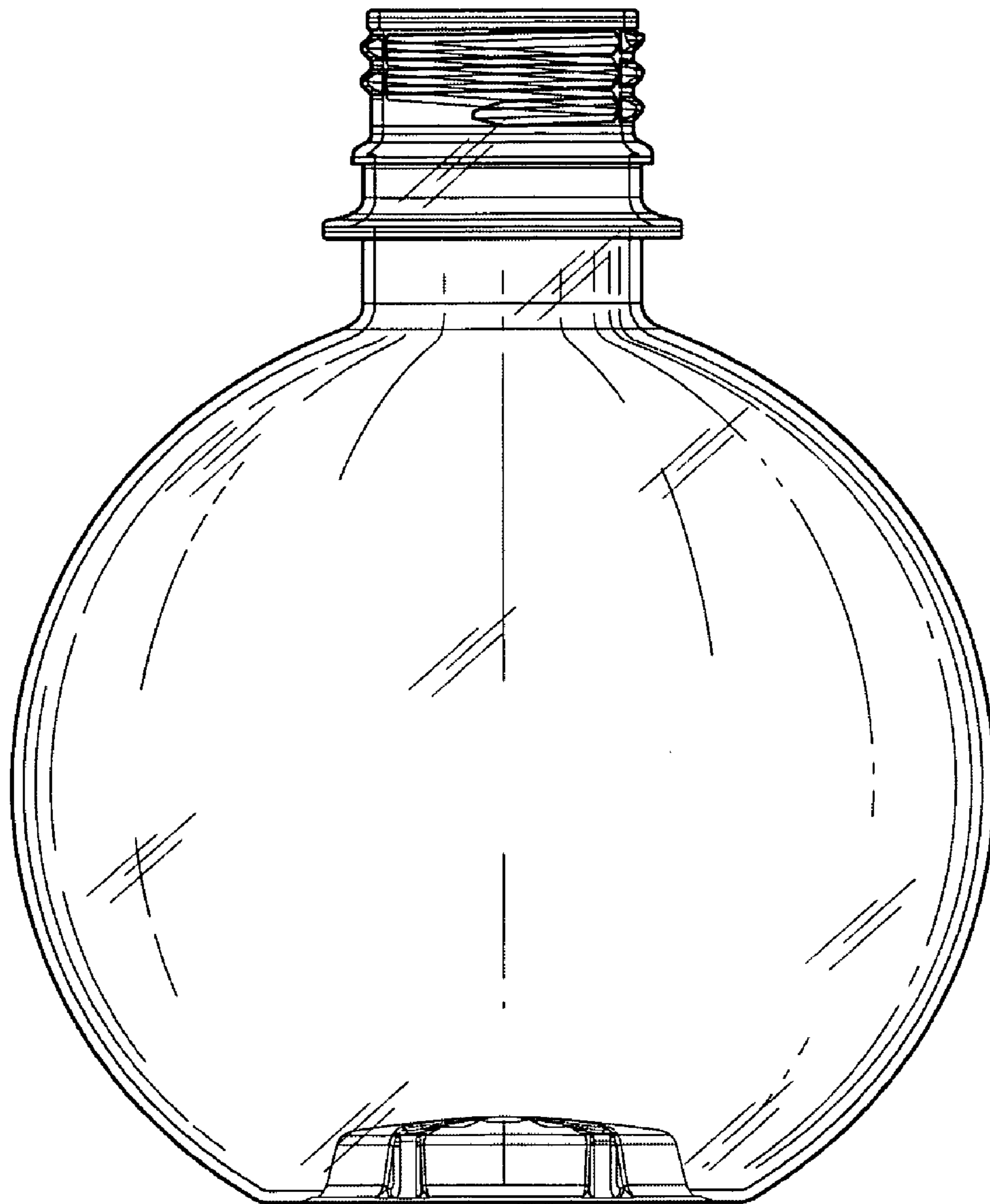


FIG. 5

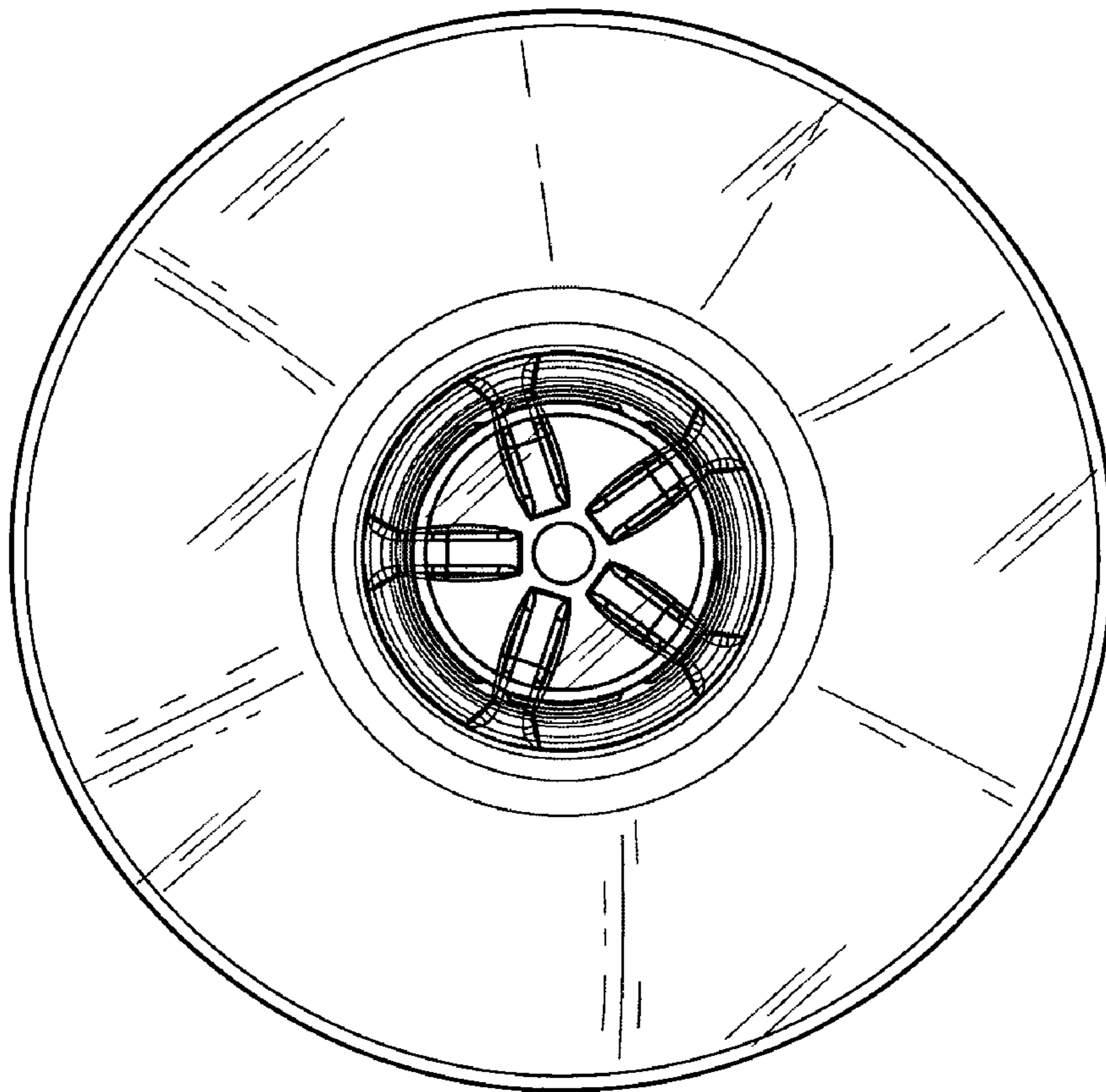


FIG. 6

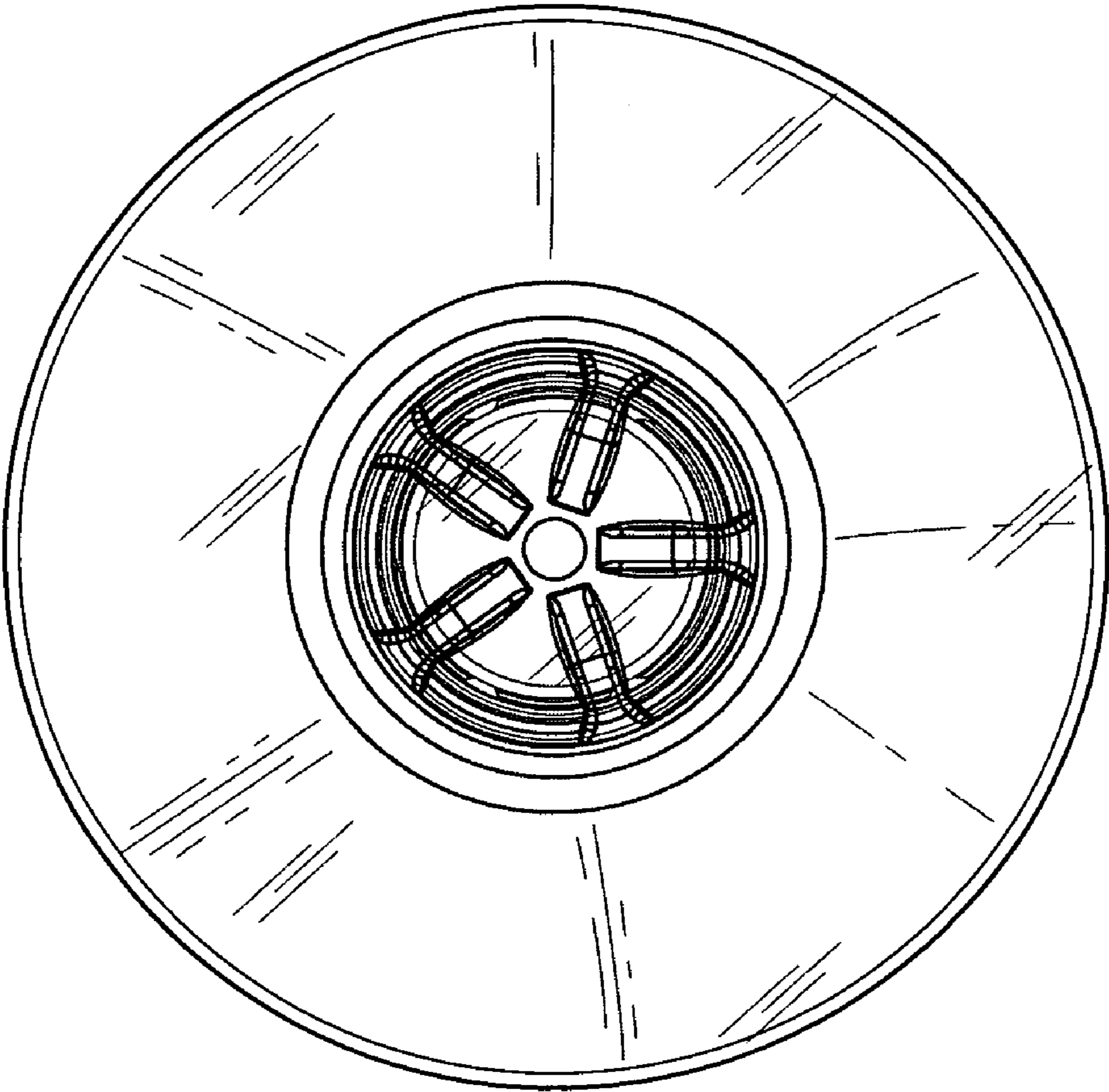


FIG. 7