



US00D596487S

(12) **United States Design Patent**
Batton et al.

(10) **Patent No.:** **US D596,487 S**
(45) **Date of Patent:** **** Jul. 21, 2009**

(54) **DISPENSING BOTTLE CAP**

(75) Inventors: **Richard A. Batton**, Milwaukee, WI (US); **Paul Larson**, Racine, WI (US); **Jonathan A. Boticki**, Racine, WI (US)

(73) Assignee: **JohnsonDiversey, Inc.**, Sturtevant, WI (US)

(**) Term: **14 Years**

(21) Appl. No.: **29/327,603**

(22) Filed: **Nov. 10, 2008**

Related U.S. Application Data

(62) Division of application No. 29/250,966, filed on Dec. 7, 2006, now Pat. No. Des. 582,767.

(51) **LOC (9) Cl.** **09-07**

(52) **U.S. Cl.** **D9/447; D9/454**

(58) **Field of Classification Search** D9/754, D9/753, 752, 741, 728, 724, 697, 695, 529, D9/524, 516, 454, 447, 445, 444, 442, 443, D9/440, 439, 435, 434, 441; D7/679, 590-597, D7/511, 510, 401.1, 398; 241/169, 169.1, 241/168; 229/906.1; 222/567, 566, 545, 222/482, 480, 356, 151, 149, 142.1-142.9; 220/713, 254.1, 703, 269, 200, 234, 295, 220/304, 310.1, 378, 795, 804, 849, DIG. 19, 220/DIG. 4, DIG. 7; D23/260, 259; 215/200, 215/231, 234, 364; D24/216, 222, 224, 231
See application file for complete search history.

(56) **References Cited**

U.S. PATENT DOCUMENTS

D160,485 S * 10/1950 Detzel D9/439
D216,678 S * 3/1970 Wilcox D9/439
D275,839 S * 10/1984 Lutzker D9/439
4,854,486 A * 8/1989 Daley et al. 222/484
4,948,014 A * 8/1990 Rutter et al. 222/83
5,165,578 A * 11/1992 Laible 222/189.09
D331,653 S * 12/1992 Stone D34/11
D336,042 S * 6/1993 Bondanza D9/435

D355,119 S * 2/1995 Zimmermann et al. D9/440
5,544,810 A * 8/1996 Horvath et al. 239/10
5,586,673 A * 12/1996 Venooker et al. 215/310
5,862,948 A * 1/1999 Duchon et al. 222/133
5,887,766 A * 3/1999 Yang 222/466
5,988,456 A * 11/1999 Laible 222/464.1
6,045,012 A * 4/2000 Hansen 222/464.1
6,050,459 A * 4/2000 Johnson et al. 222/382
D432,916 S * 10/2000 Drinkwater et al. D9/447
6,142,345 A * 11/2000 Laible 222/189.1
6,202,717 B1 * 3/2001 Markey et al. 141/383
D453,472 S * 2/2002 Kwong D9/447
6,543,654 B1 * 4/2003 Uhl et al. 222/464.1
6,669,062 B1 * 12/2003 Laible 222/464.1
6,733,917 B1 * 5/2004 Janmey 429/56
6,945,433 B2 * 9/2005 Laible 222/185.1
6,968,983 B2 * 11/2005 Laible 222/464.1

FOREIGN PATENT DOCUMENTS

WO 2001/27020 4/2001

* cited by examiner

Primary Examiner—Susan Bennett Hattan
(74) *Attorney, Agent, or Firm*—Gregory S. Bollis

(57) **CLAIM**

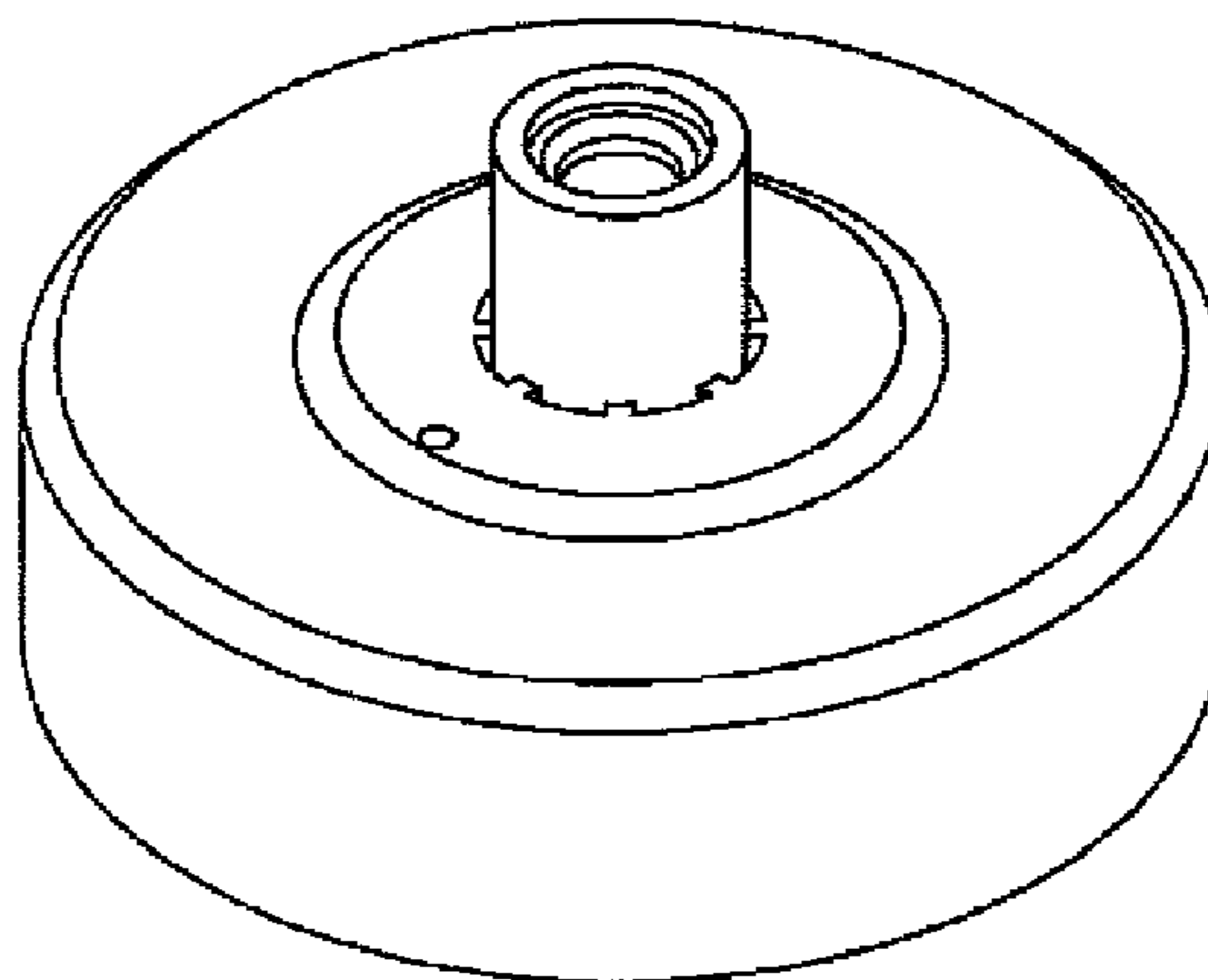
We claim the ornamental design for a dispensing bottle cap, as shown and described.

DESCRIPTION

The present application is directed to the ornamental features of a bottle cap having a lock-out feature and adapted to dispense the contents of a bottle when coupled to a bottle having a plug with matching lock-out feature.

FIG. 1 is a top perspective view of a dispensing bottle cap; FIG. 2 is a bottom perspective view of the bottle cap shown in FIG. 1; FIG. 3 is a top view of the bottle cap shown in FIG. 1; FIG. 4 is a side view of the bottle cap shown in FIG. 1; and, FIG. 5 is a bottom view of the bottle cap shown in FIG. 1.

1 Claim, 3 Drawing Sheets



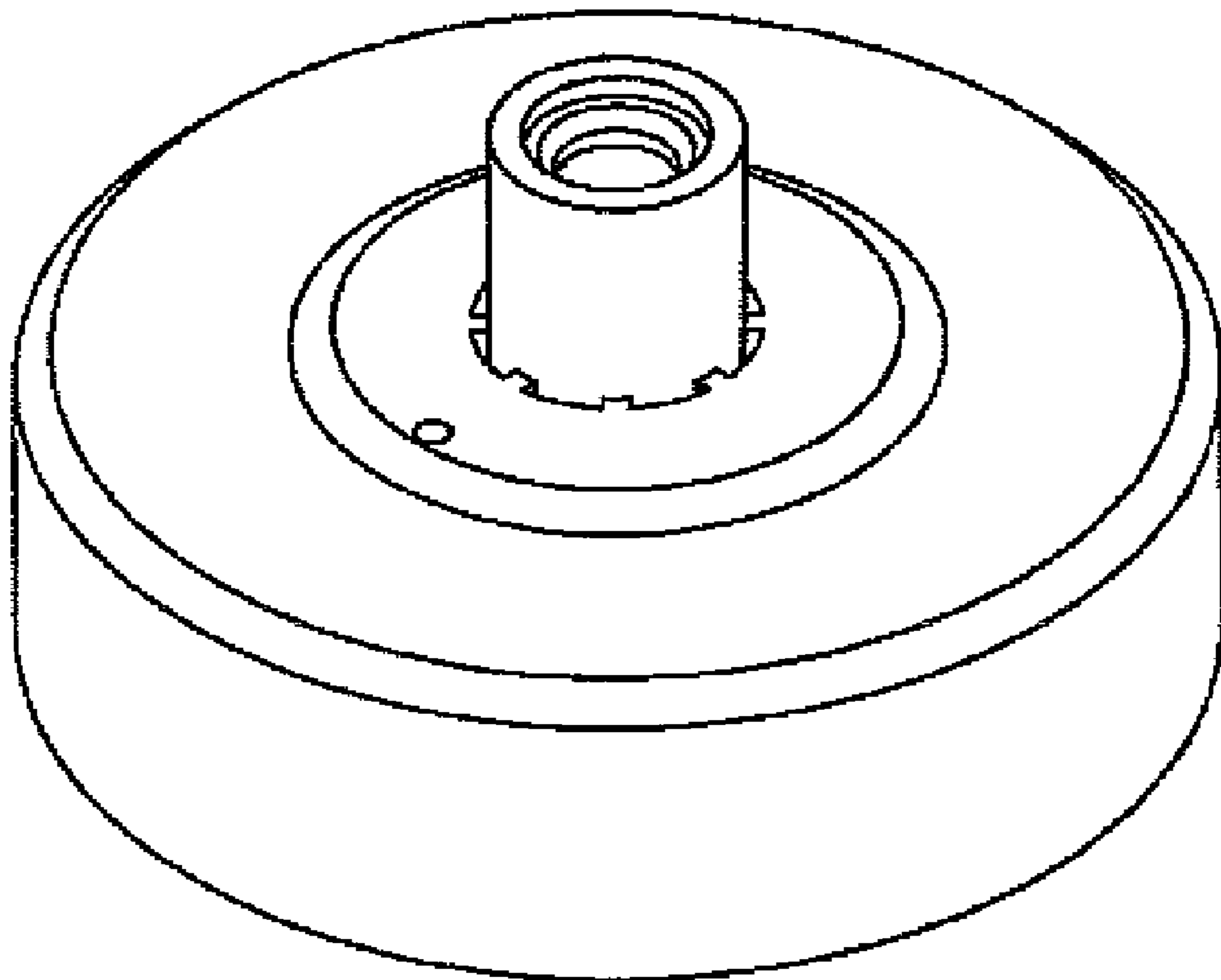


FIG. 1

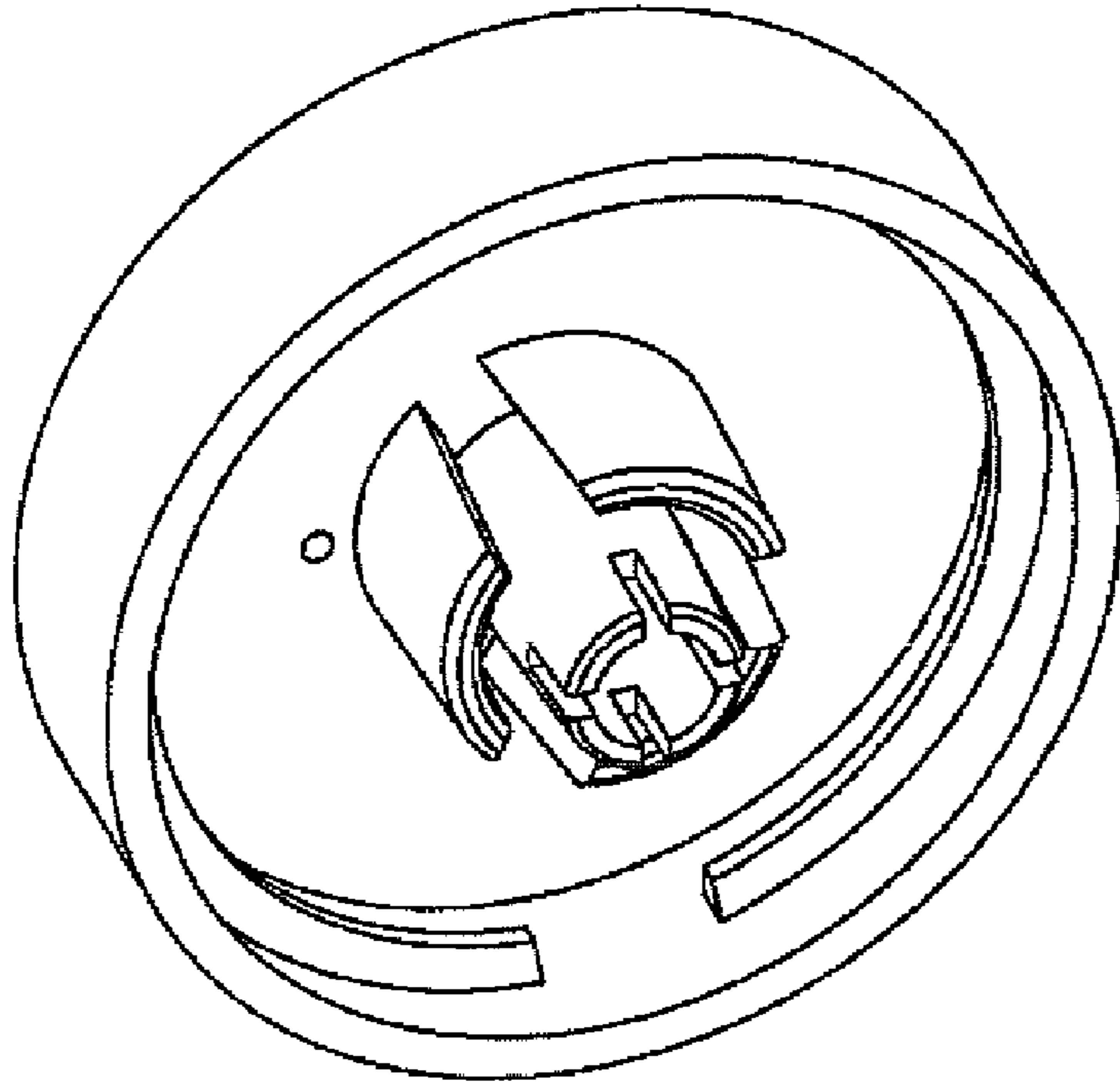


FIG. 2

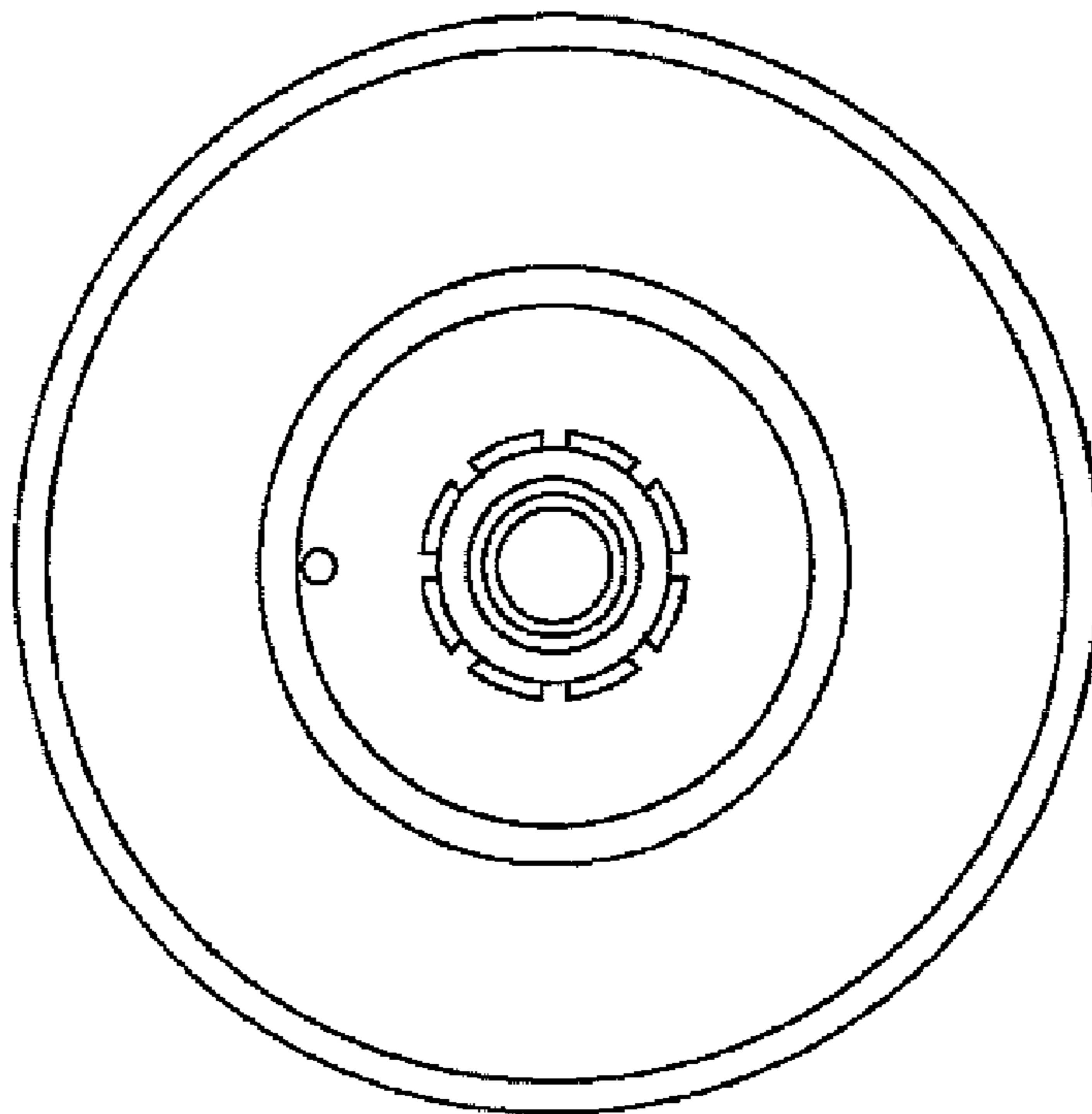


FIG. 3

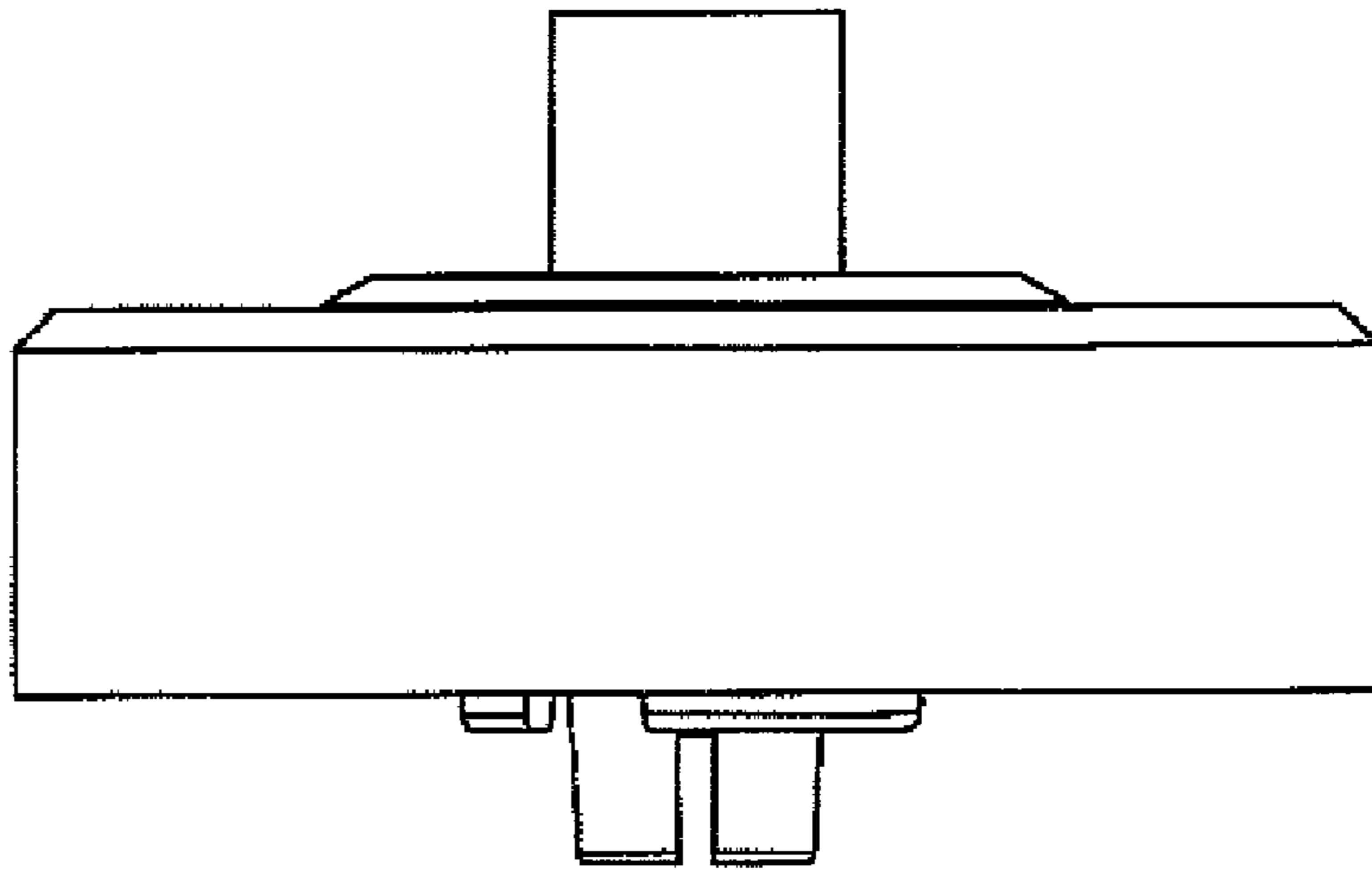


FIG. 4

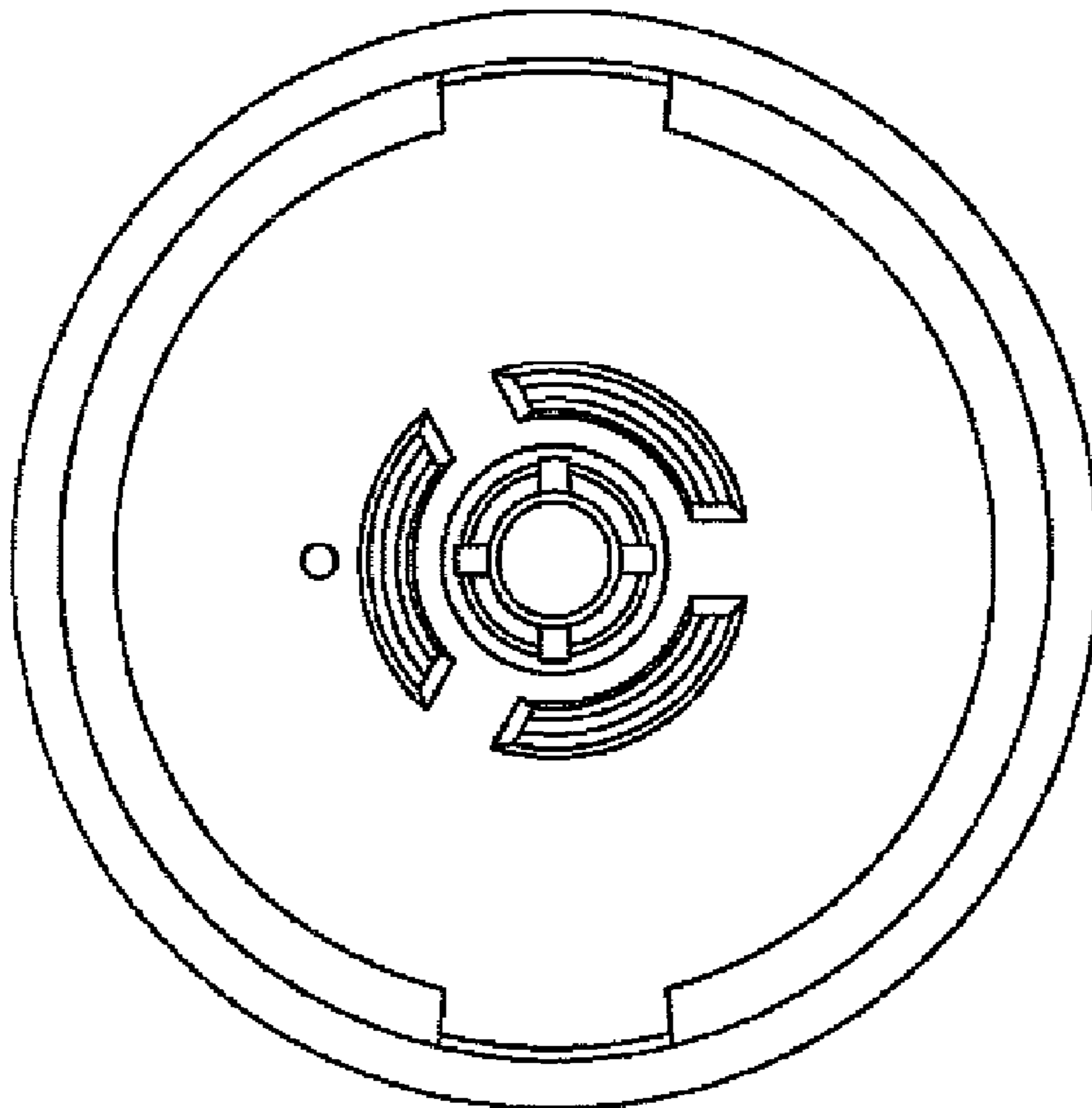


FIG. 5