

US00D596485S

(12) **United States Design Patent**  
**Andre et al.**

(10) **Patent No.:** **US D596,485 S**  
(45) **Date of Patent:** **\*\* Jul. 21, 2009**

(54) **PACKAGING**

(75) Inventors: **Bartley K. Andre**, Menlo Park, CA (US); **Peter Russell-Clarke**, San Francisco, CA (US); **Daniel J. Coster**, San Francisco, CA (US); **Daniele De Iuliis**, San Francisco, CA (US); **Richard P. Howarth**, San Francisco, CA (US); **Jonathan P. Ive**, San Francisco, CA (US); **Steve Jobs**, Palo Alto, CA (US); **Duncan Robert Kerr**, San Francisco, CA (US); **Shin Nishibori**, San Francisco, CA (US); **Matthew Dean Rohrbach**, San Francisco, CA (US); **Douglas B. Satzger**, Menlo Park, CA (US); **Calvin Q. Seid**, Palo Alto, CA (US); **Vincent Keane Seid**, legal representative, Los Gatos, CA (US); **Christopher J. Stringer**, Portola Valley, CA (US); **Eugene Antony Whang**, San Francisco, CA (US); **Rico Zorkendorfer**, San Francisco, CA (US)

(73) Assignee: **Apple Inc.**, Cupertino, CA (US)

(\*\*) Term: **14 Years**

(21) Appl. No.: **29/281,505**

(22) Filed: **Jun. 25, 2007**

(51) **LOC (9) Cl.** ..... **09-03**

(52) **U.S. Cl.** ..... **D9/432**

(58) **Field of Classification Search** ..... D9/430-433, D9/414, 418, 420-423, 529, 560; 260/278, 260/297, 299, 433, 457, 770, 737, 769, 776, 260/777, 778; 229/100, 101, 103.3, 106, 229/107, 108, 108.1, 109, 110, 112, 116, 229/116.5, 117, 117.01, 117.03-117.08, 229/121, 122, 122.24, 122.29, 125.015, 126, 229/152, 181.1, 185.1, 186, 201, 917, 922, 229/923, 930-933, 935, 937, 939, 942; 220/796; 206/320

See application file for complete search history.

(56) **References Cited**

U.S. PATENT DOCUMENTS

1,315,593	A	9/1919	Binder	
1,518,219	A *	12/1924	Peter	206/756
D111,649	S	10/1938	Di Domenico	
D114,891	S	5/1939	Fogel	
2,722,719	A *	11/1955	Altstadter	264/155
3,463,309	A *	8/1969	Szostek	206/470
3,850,333	A *	11/1974	Reichert	220/556
D246,349	S	11/1977	Klupt	
D248,621	S	7/1978	Hay et al.	
4,106,597	A *	8/1978	Shook et al.	190/110
D280,290	S *	8/1985	Bakus	D9/737
4,542,822	A *	9/1985	Kennedy et al.	220/602

(Continued)

FOREIGN PATENT DOCUMENTS

EM	46403-0001	8/2006
JP	61-40925	3/1986
JP	D1066280	4/2000
JP	D1079431	7/2000
KR	30-0267299	12/2000
KR	3004262930000	9/2006
TW	0488766	9/1989
TW	D105819	8/2005

OTHER PUBLICATIONS

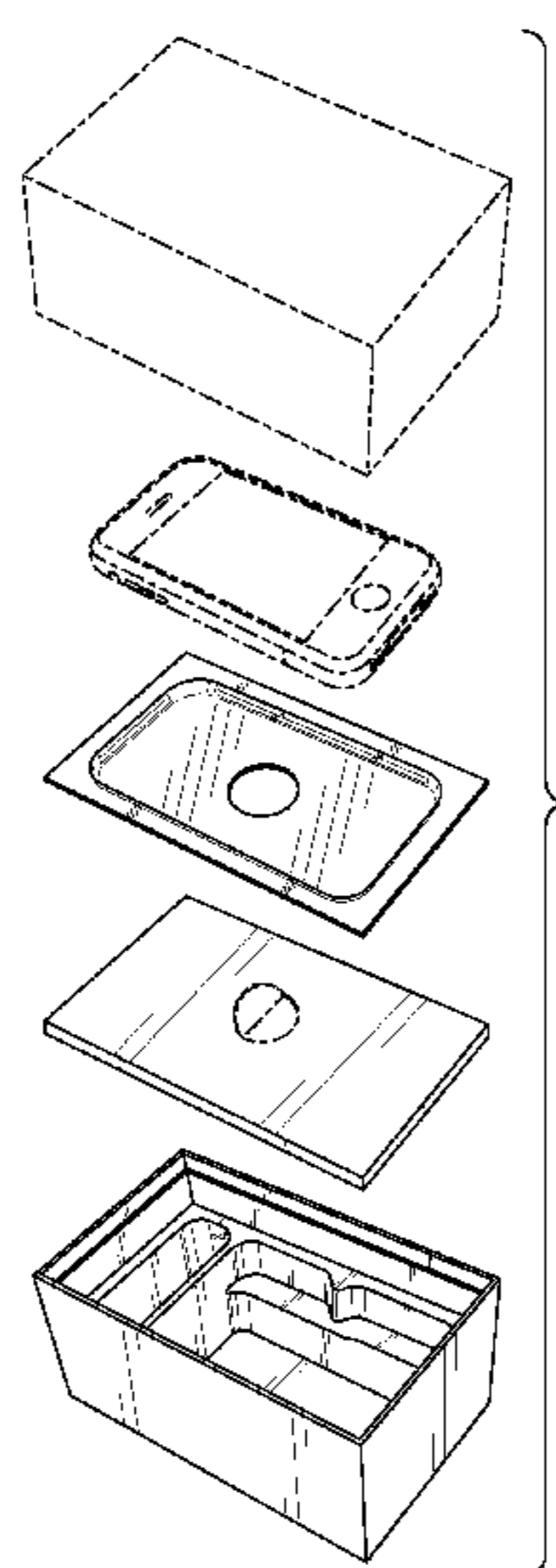
U.S. Appl. No. 11/849,176 entitled "Packaging" filed Aug. 31, 2007.  
U.S. Appl. No. 29/284,343 entitled "Packaging" filed Sep. 5, 2007.  
U.S. Appl. No. 29/296,491 entitled "Package" filed Oct. 22, 2007.  
U.S. Appl. No. 29/296,890 entitled "Package" filed Oct. 30, 2007.  
U.S. Appl. No. 29/296,791 entitled "Package" filed Oct. 29, 2007.

(Continued)

*Primary Examiner*—T. Chase Nelson  
*Assistant Examiner*—Karen Acker  
(74) *Attorney, Agent, or Firm*—Sterne Kessler Goldstein & Fox P.L.L.C.

(57) **CLAIM**

The ornamental design for packaging, substantially as shown and described.



DESCRIPTION

FIG. 1 is an exploded perspective view of packaging showing our new design in combination with structures drawn in broken line with which the design may be used;  
 FIG. 2 is a perspective view of the design of FIG. 1 assembled and in a condition of use;  
 FIG. 3 is perspective view of the design of FIG. 1;  
 FIG. 4 is a top perspective view of one portion of the packaging of FIG. 1 shown in a condition of use  
 FIG. 5 is a top perspective view of one portion of the packaging of FIG. 1  
 FIG. 6 is a bottom perspective view of FIG. 5;  
 FIG. 7 is a front view of FIG. 5;  
 FIG. 8 is a rear view of FIG. 5;  
 FIG. 9 is a side view of FIG. 5;  
 FIG. 10 is another side view of FIG. 5;  
 FIG. 11 is a top plan view of FIG. 5;  
 FIG. 12 is a bottom plan view of FIG. 5;  
 FIG. 13 is a perspective view of a second portion of the packaging of FIG. 1;  
 FIG. 14 is a front view of FIG. 13;  
 FIG. 15 is a rear view of FIG. 13;  
 FIG. 16 is a side view of FIG. 13;  
 FIG. 17 is another side view of FIG. 13;  
 FIG. 18 is a top plan view of FIG. 13;  
 FIG. 19 is a bottom plan view of FIG. 13;  
 FIG. 20 is a perspective view of a third portion of the packaging of FIG. 1;  
 FIG. 21 is a front view of FIG. 20;  
 FIG. 22 is a rear view of FIG. 20;  
 FIG. 23 is a side view of FIG. 20;  
 FIG. 24 is another side view of FIG. 20;  
 FIG. 25 is a top plan view of FIG. 20; and,  
 FIG. 26 is a bottom plan view of FIG. 20.

The broken lines in the drawings depict portions of packaging that are not part of the claim. Structures drawn in broken line are included for the purpose of showing the design in a condition of use. The broken line structures and features they depict form no part of the claimed design.

1 Claim, 17 Drawing Sheets

U.S. PATENT DOCUMENTS

4,606,459	A *	8/1986	Luray	206/583
4,606,460	A *	8/1986	Luray	206/583
4,739,353	A *	4/1988	Heuer et al.	206/316.2
4,876,136	A *	10/1989	Chang et al.	428/130
4,953,705	A *	9/1990	Evamy	206/594
D312,358	S	11/1990	Horne	
5,040,678	A *	8/1991	Lenmark et al.	206/443
5,105,941	A *	4/1992	Dolan et al.	206/232
D331,191	S	11/1992	Ventola et al.	
5,251,760	A *	10/1993	Smith et al.	206/583
5,295,580	A *	3/1994	Hicks	206/588
5,484,063	A *	1/1996	Cuccio et al.	206/722
D369,295	S *	4/1996	Kobari et al.	D9/423
D369,469	S *	5/1996	Gregory	D3/319
5,573,119	A *	11/1996	Luray	206/583
D382,735	S	8/1997	Zapf	
D385,156	S	10/1997	Balari	
5,694,744	A *	12/1997	Jones	53/449
D397,552	S	9/1998	Rutledge	
D406,463	S	3/1999	Rutledge	
5,893,462	A *	4/1999	Ridgeway	206/583
D411,448	S	6/1999	Baker	
5,967,327	A *	10/1999	Jones	206/583
D417,391	S	12/1999	Szczepanski et al.	
6,010,006	A *	1/2000	Ridgeway et al.	206/583
6,154,360	A *	11/2000	Kaczeus et al.	361/679.34
6,241,090	B1 *	6/2001	Kaplinsky	206/315.11
6,302,274	B1 *	10/2001	Ridgeway	206/583
6,305,539	B1 *	10/2001	Sanders, Jr.	206/320
6,400,247	B1 *	6/2002	King	335/302
D490,977	S *	6/2004	Freeman	D3/273
6,920,981	B2 *	7/2005	Lofgren et al.	206/583
7,086,534	B2 *	8/2006	Roesel et al.	206/583
7,117,993	B2 *	10/2006	Koike	206/320
D541,045	S	4/2007	Peart et al.	
7,296,681	B2 *	11/2007	McDonald et al.	206/583
D558,571	S	1/2008	Andre et al.	
D558,572	S	1/2008	Andre et al.	
7,506,758	B2 *	3/2009	Davis-Garrison	206/320
7,520,389	B2 *	4/2009	Lalouette	206/722
2006/0266672	A1 *	11/2006	Young	206/776

OTHER PUBLICATIONS

U.S. Appl. No. 29/296,502 entitled "Package" filed Oct. 22, 2007.  
 Search Report for Taiwanese Design Application No. 096306629, dated Jan. 16, 2009.

\* cited by examiner

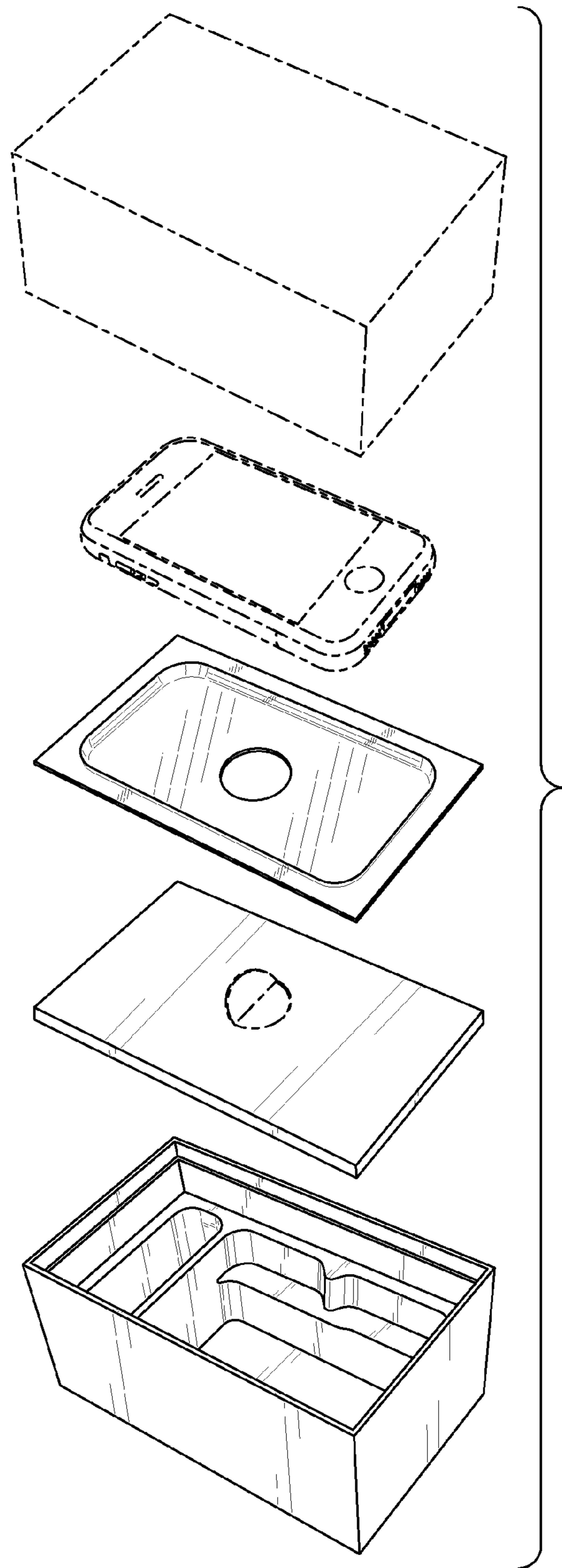


FIG. 1



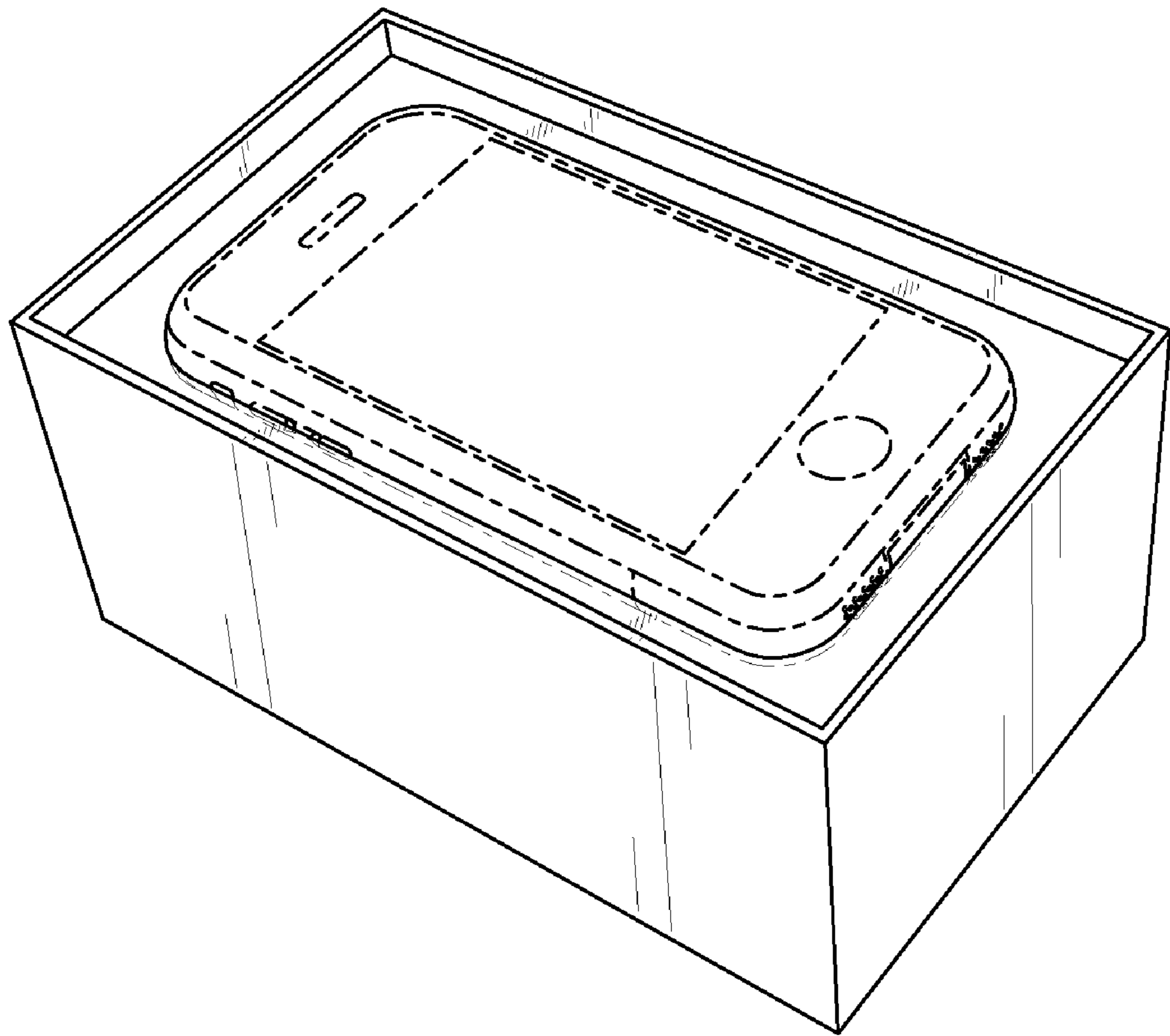


FIG. 2

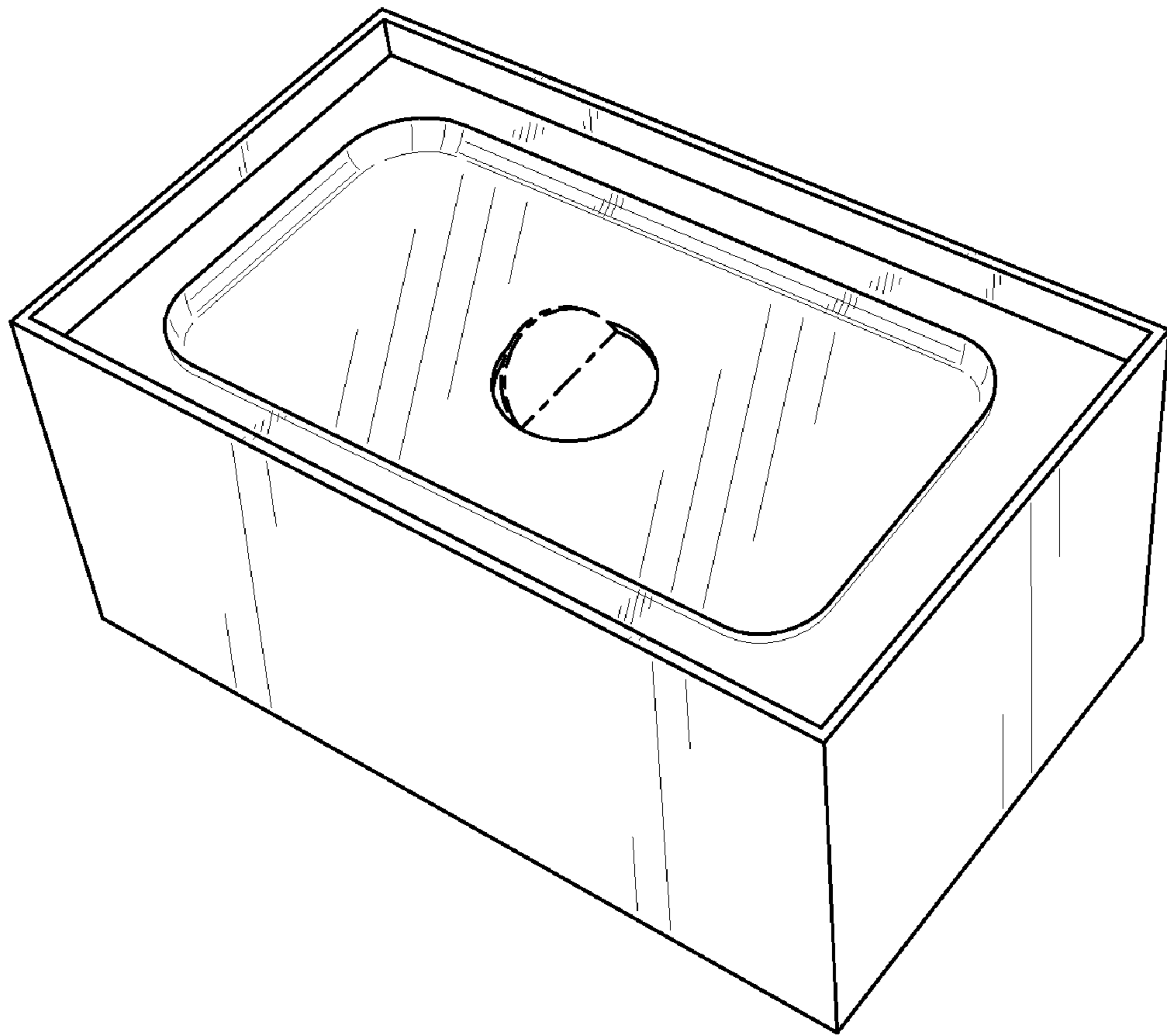


FIG. 3

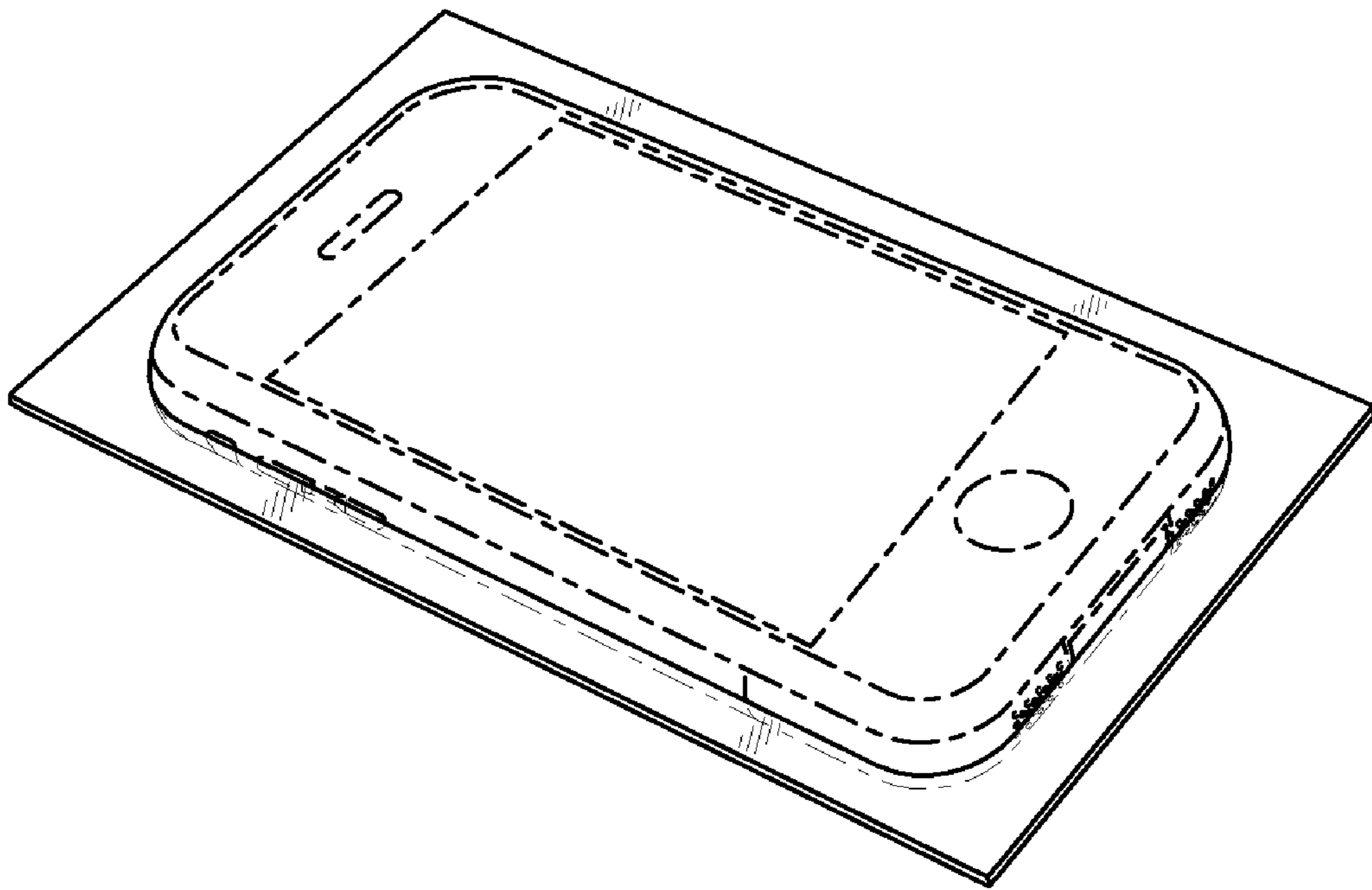


FIG. 4

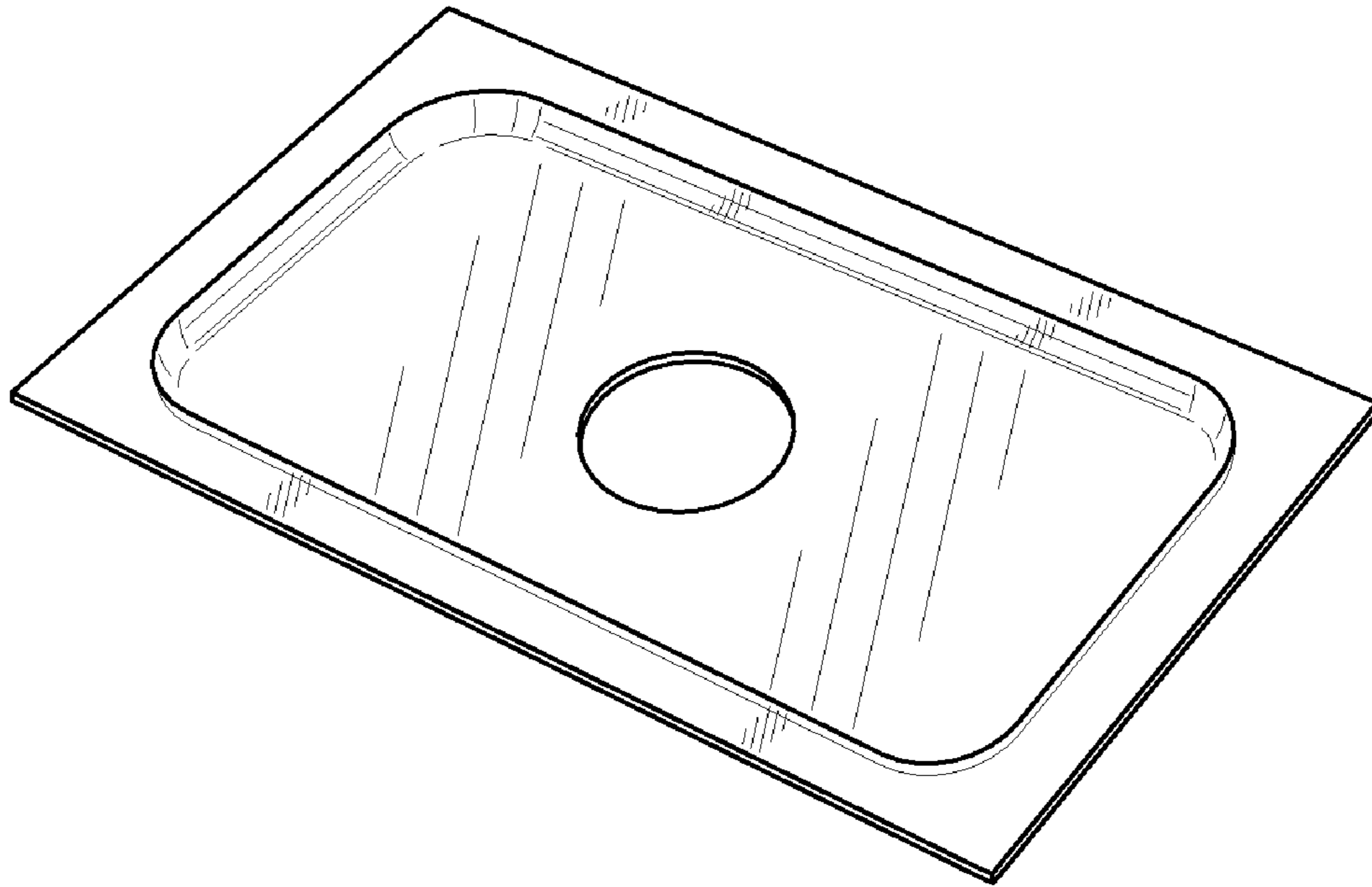


FIG. 5

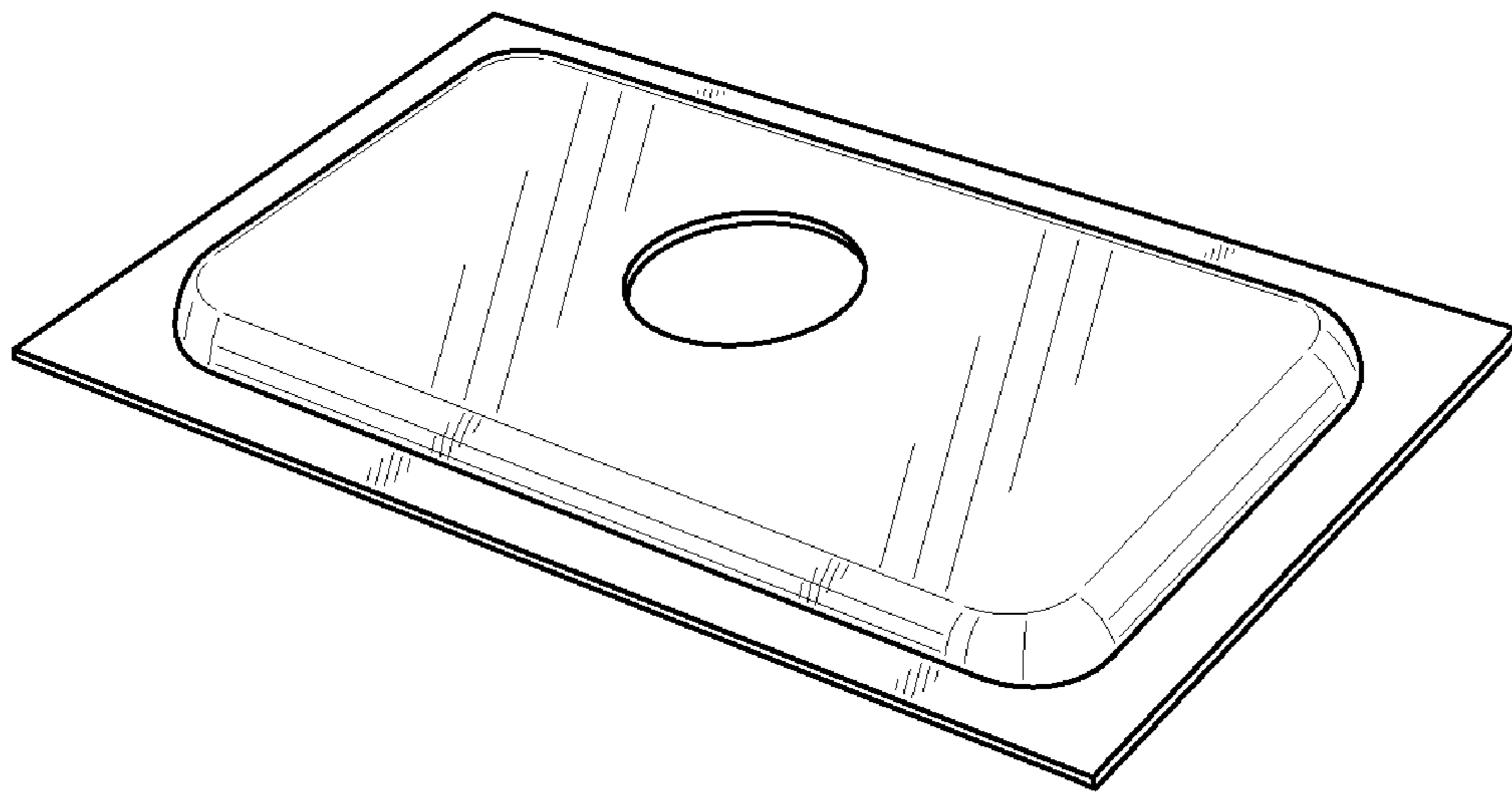


FIG. 6



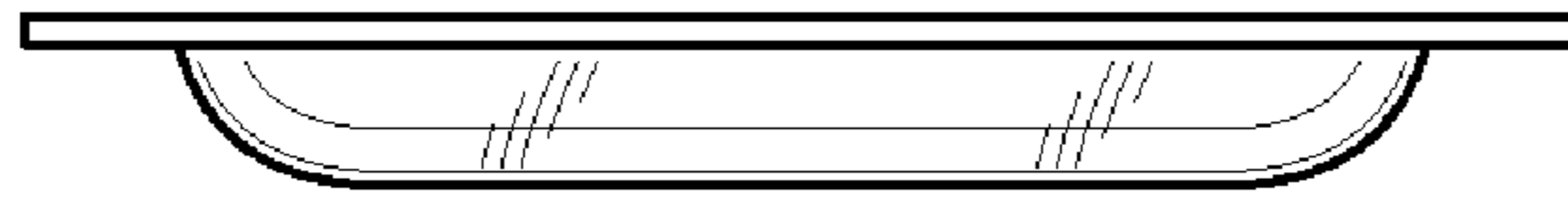


FIG. 7

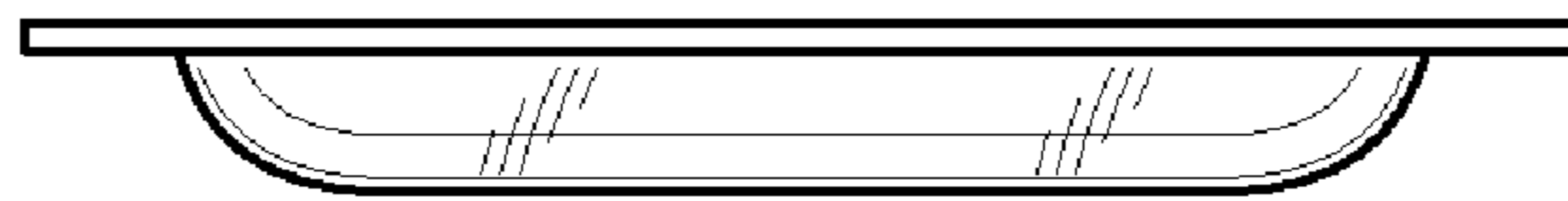


FIG. 8

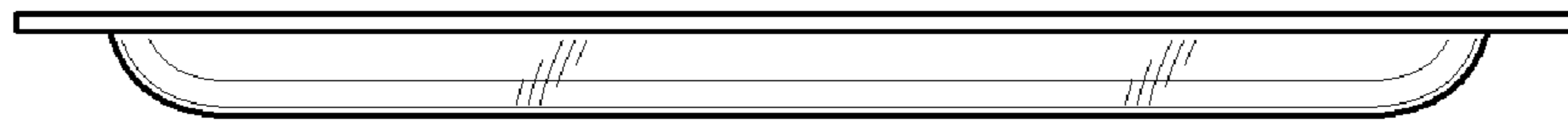


FIG. 9

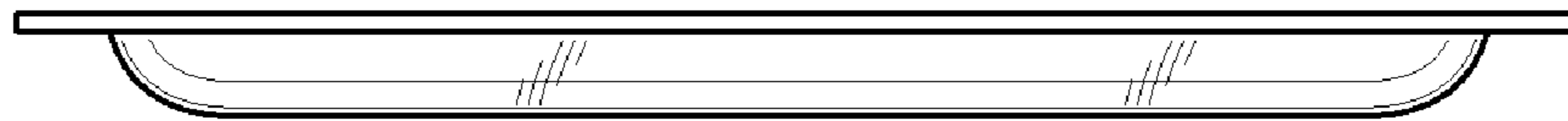


FIG. 10

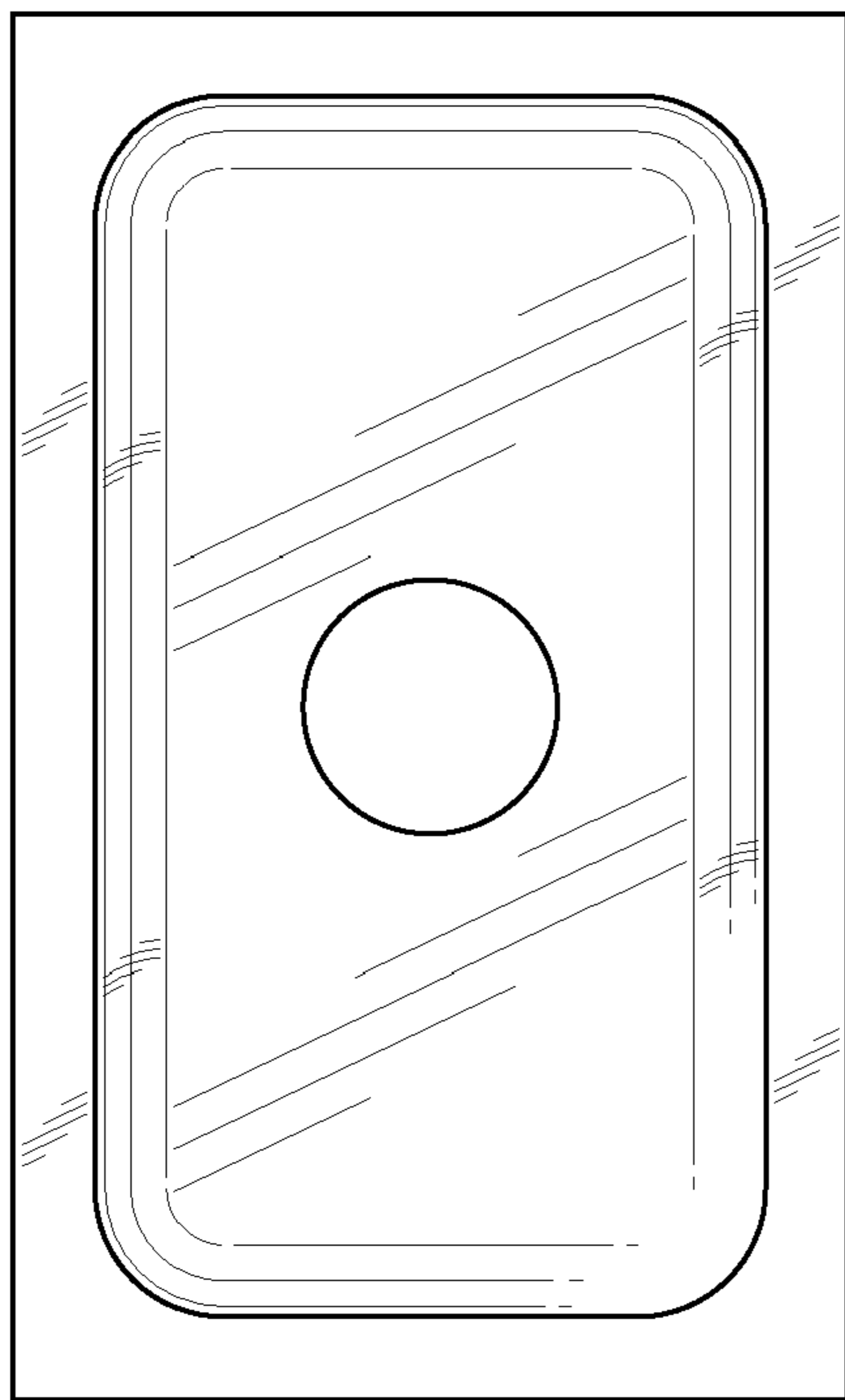


FIG. 11

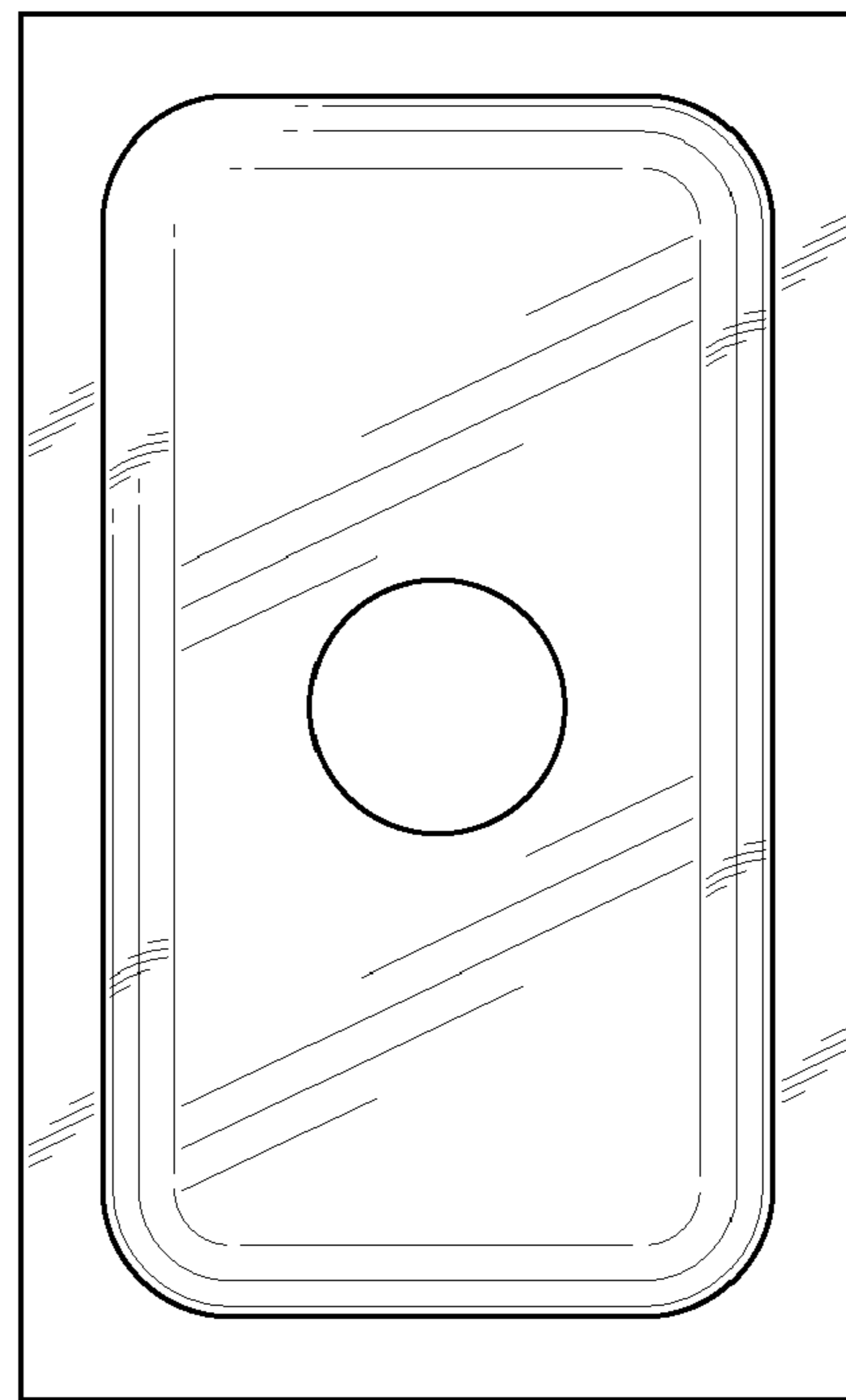


FIG. 12

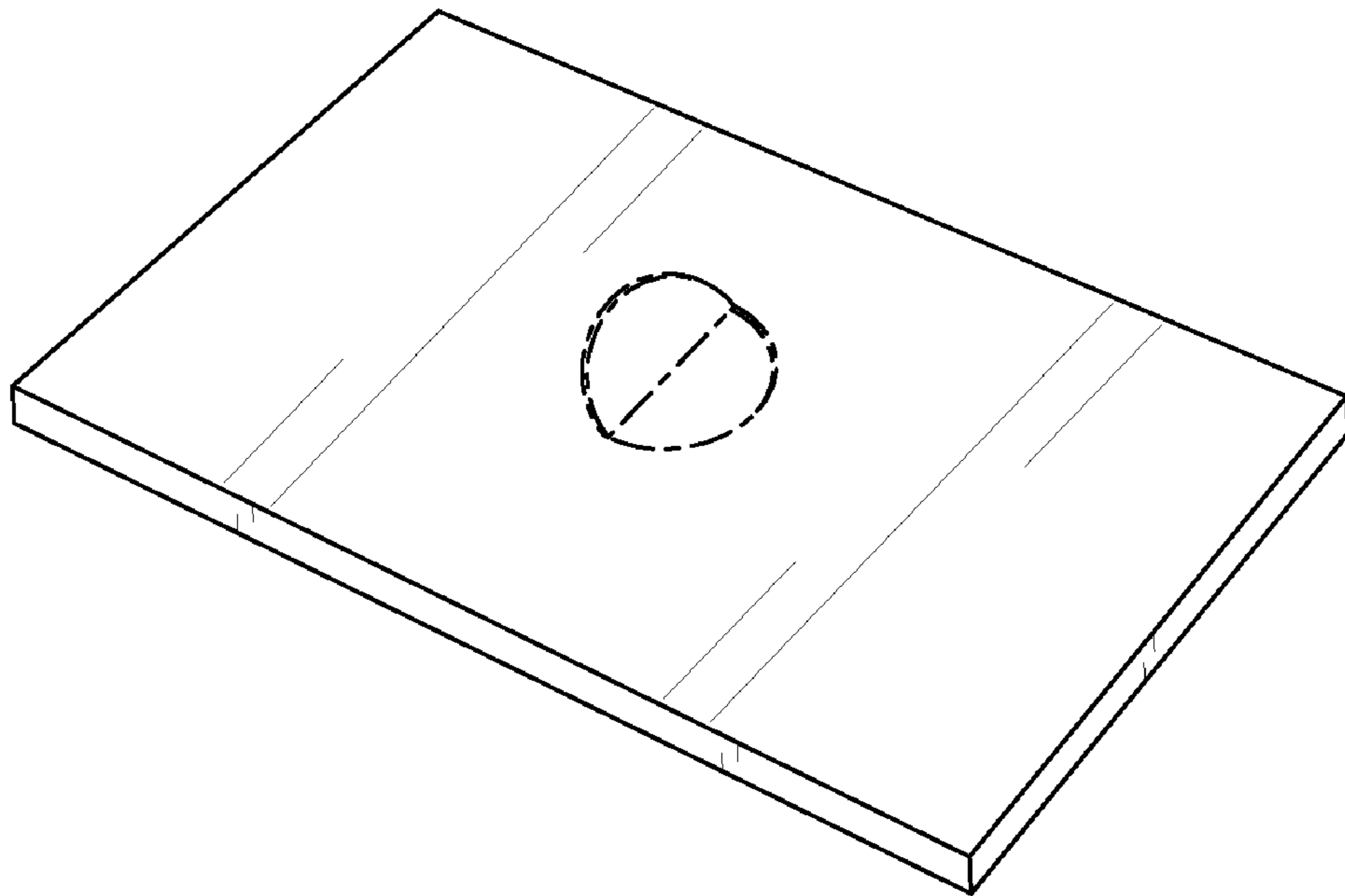


FIG. 13



FIG. 14



FIG. 15





FIG. 16

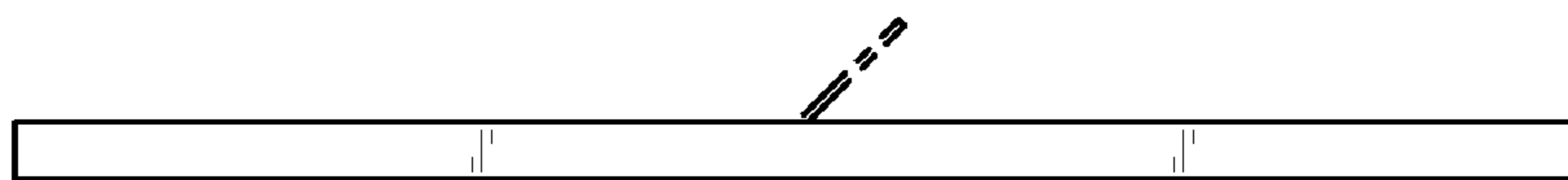


FIG. 17

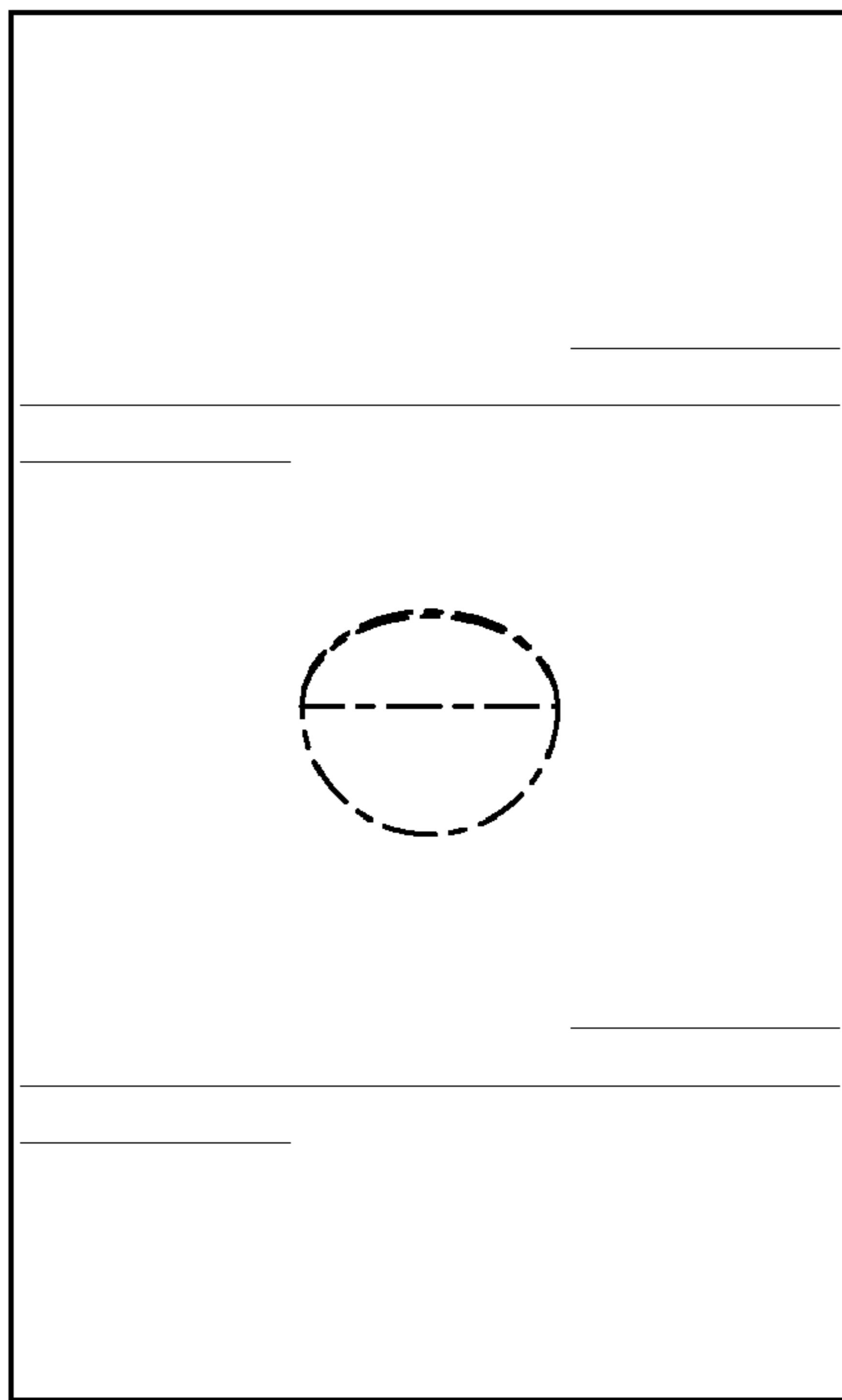


FIG. 18

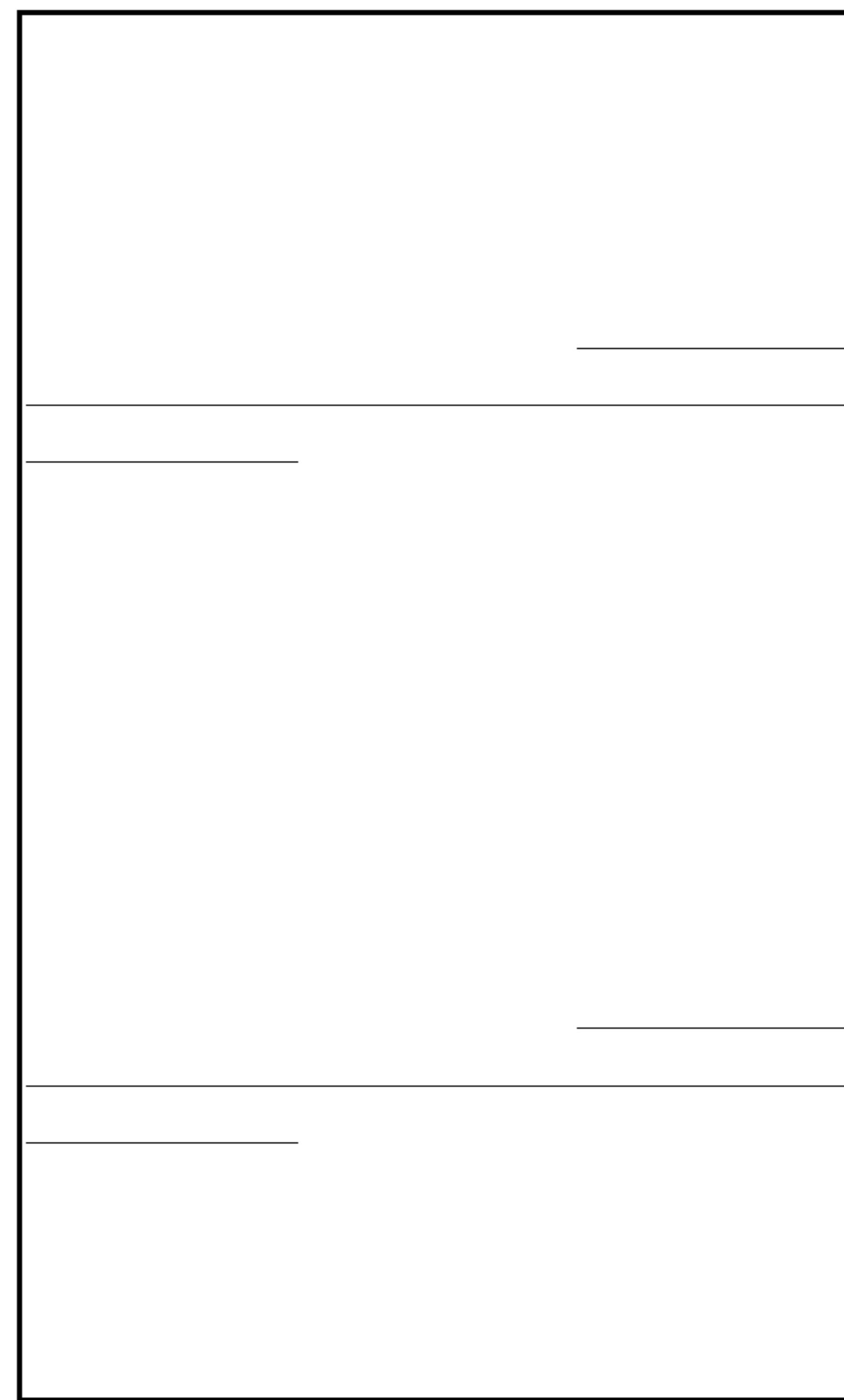


FIG. 19

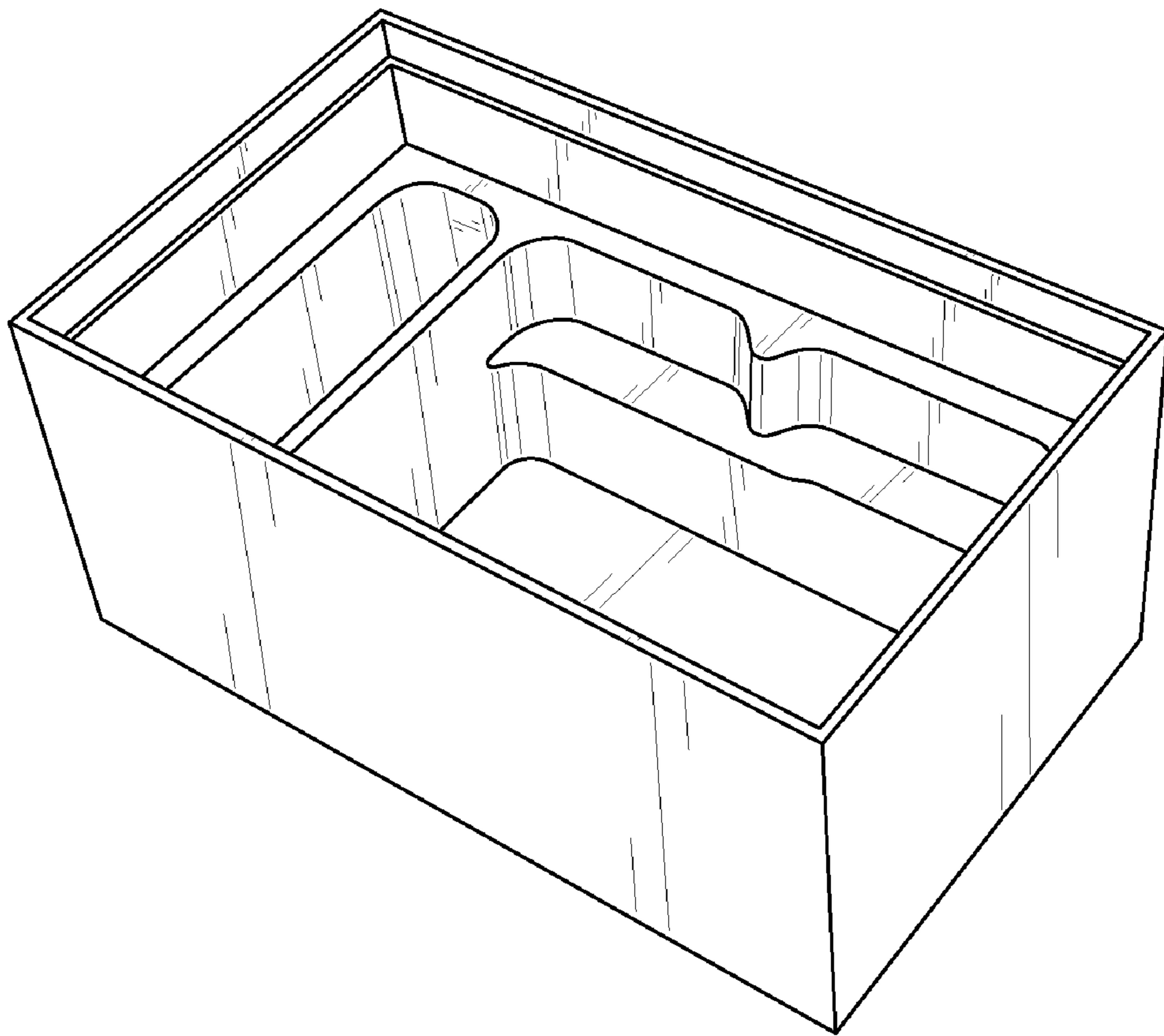


FIG. 20

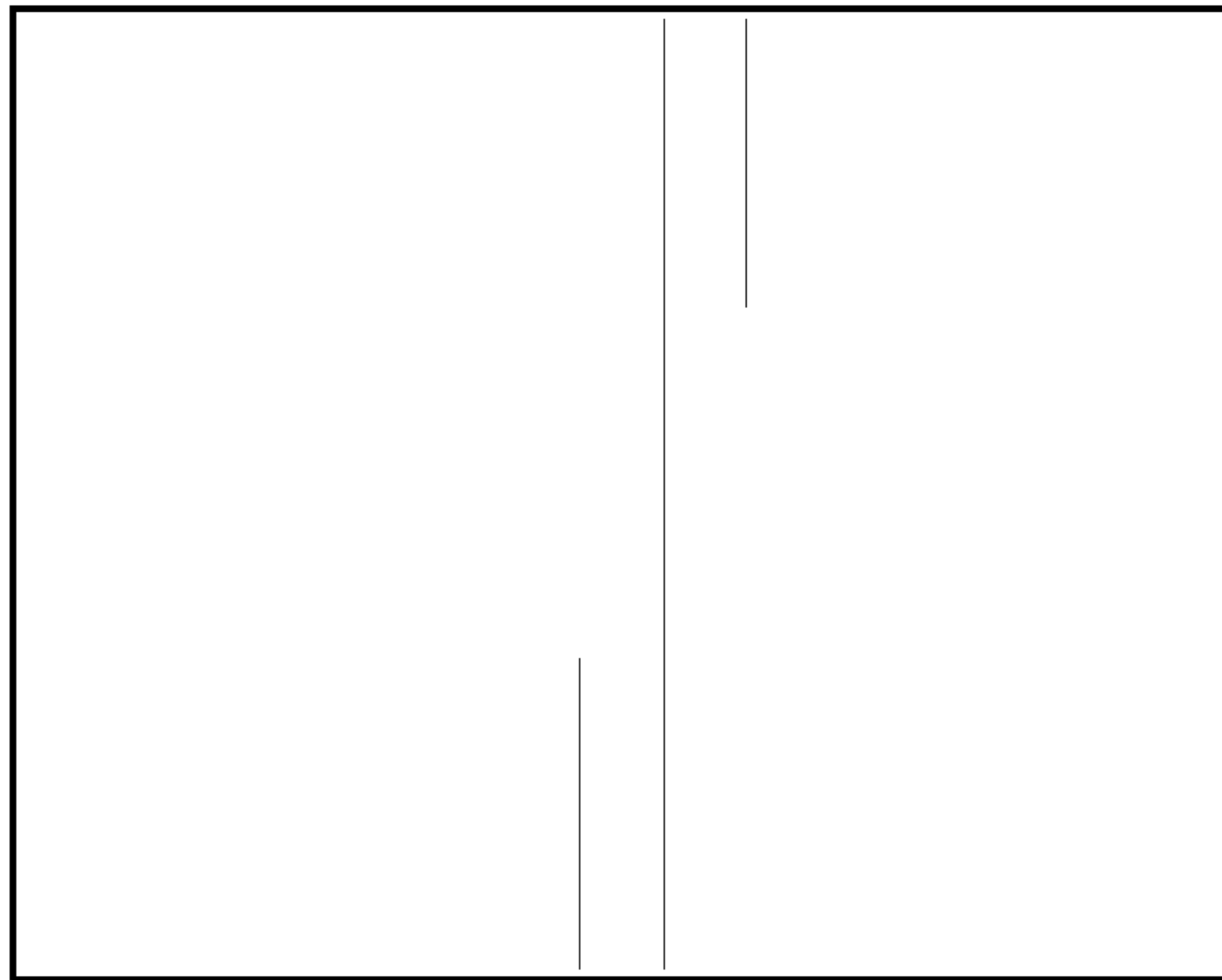


FIG. 21

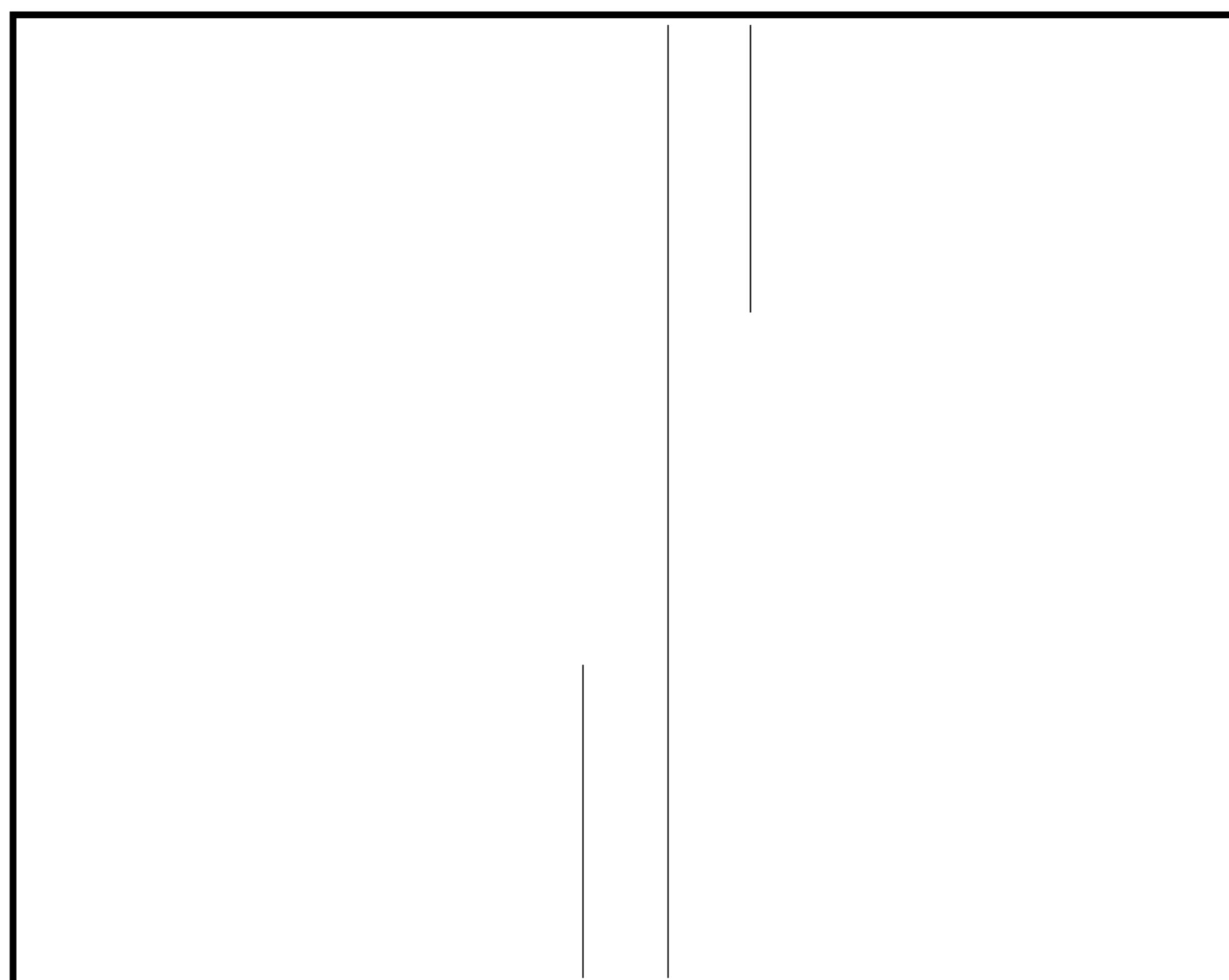


FIG. 22

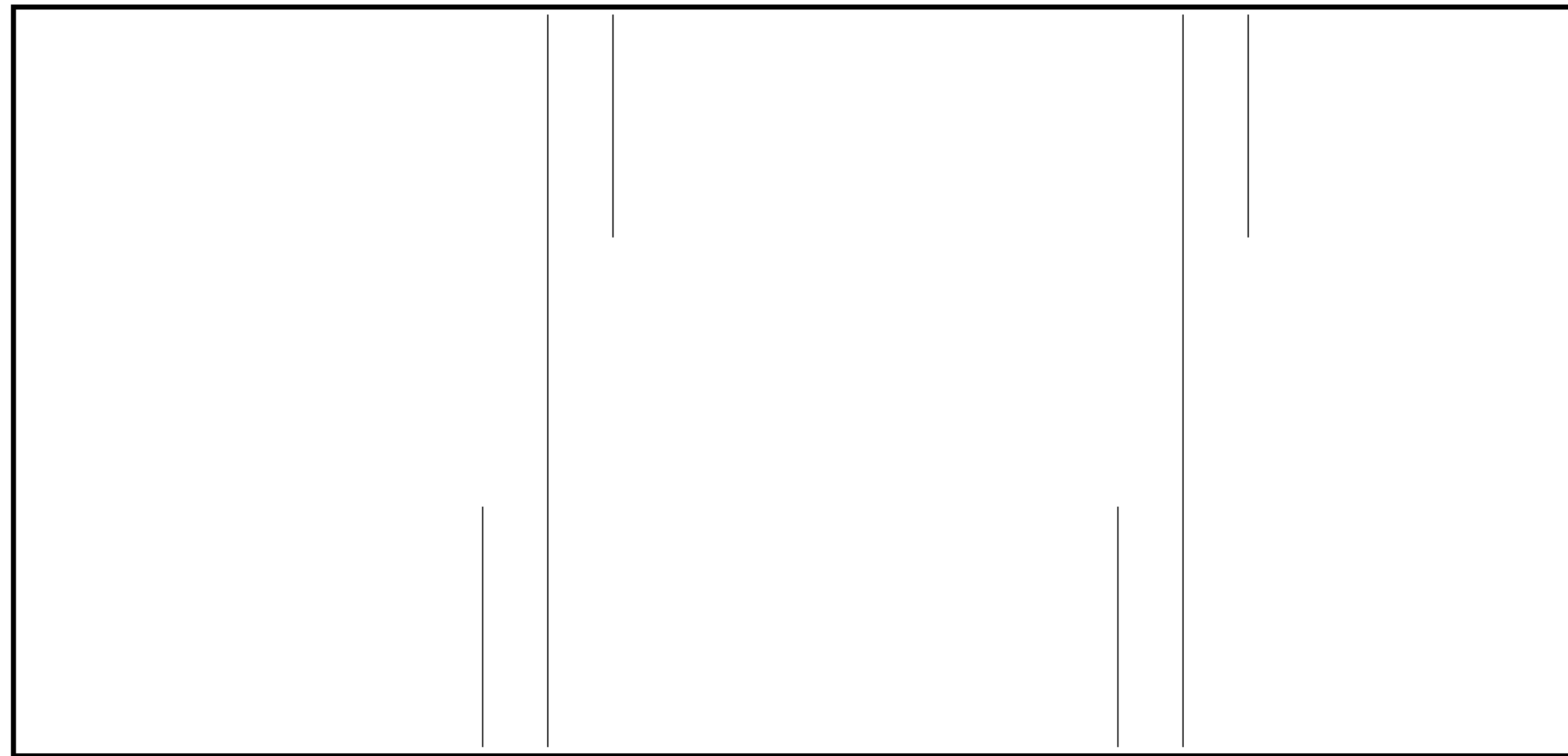


FIG. 23

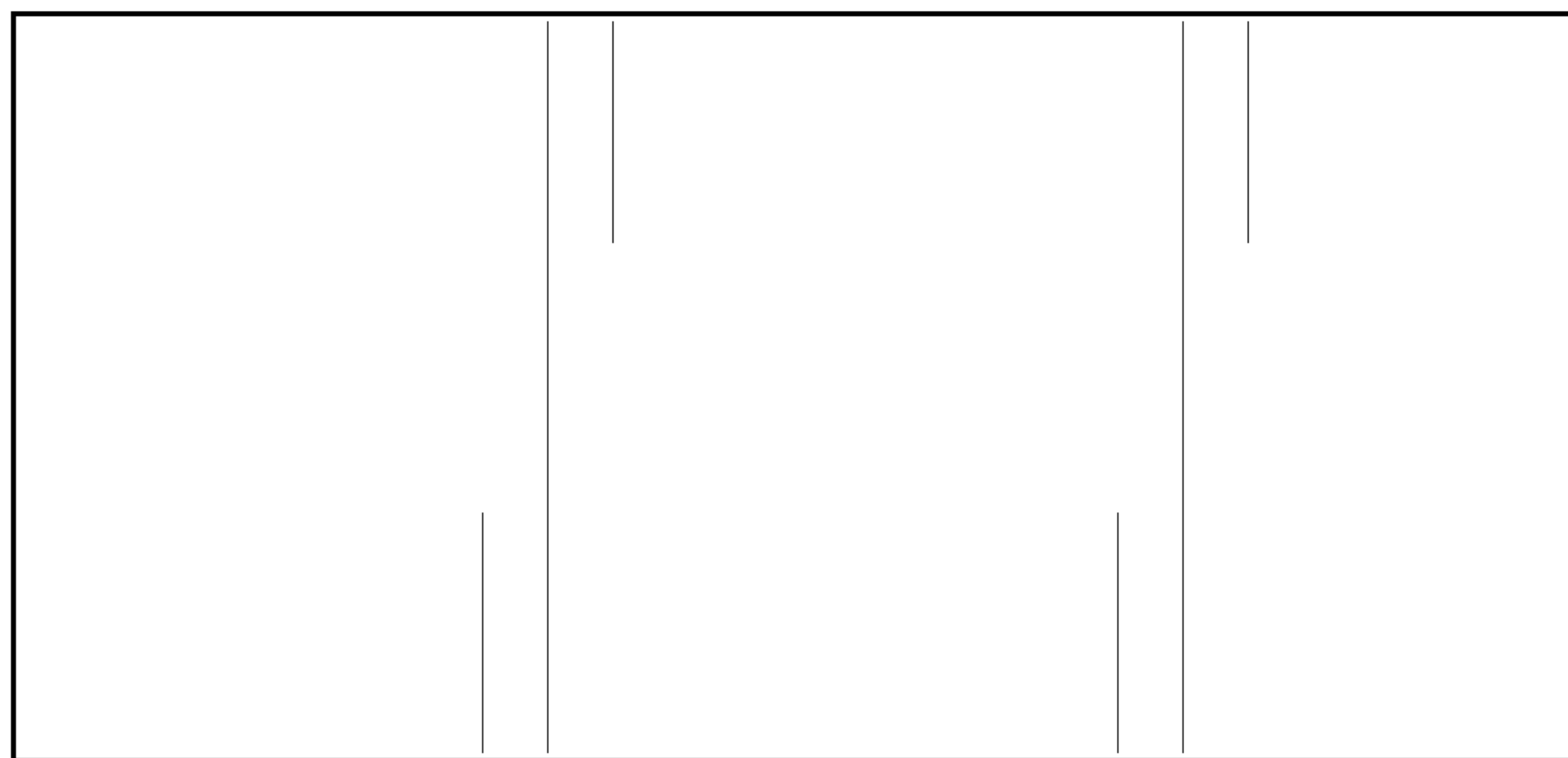


FIG. 24



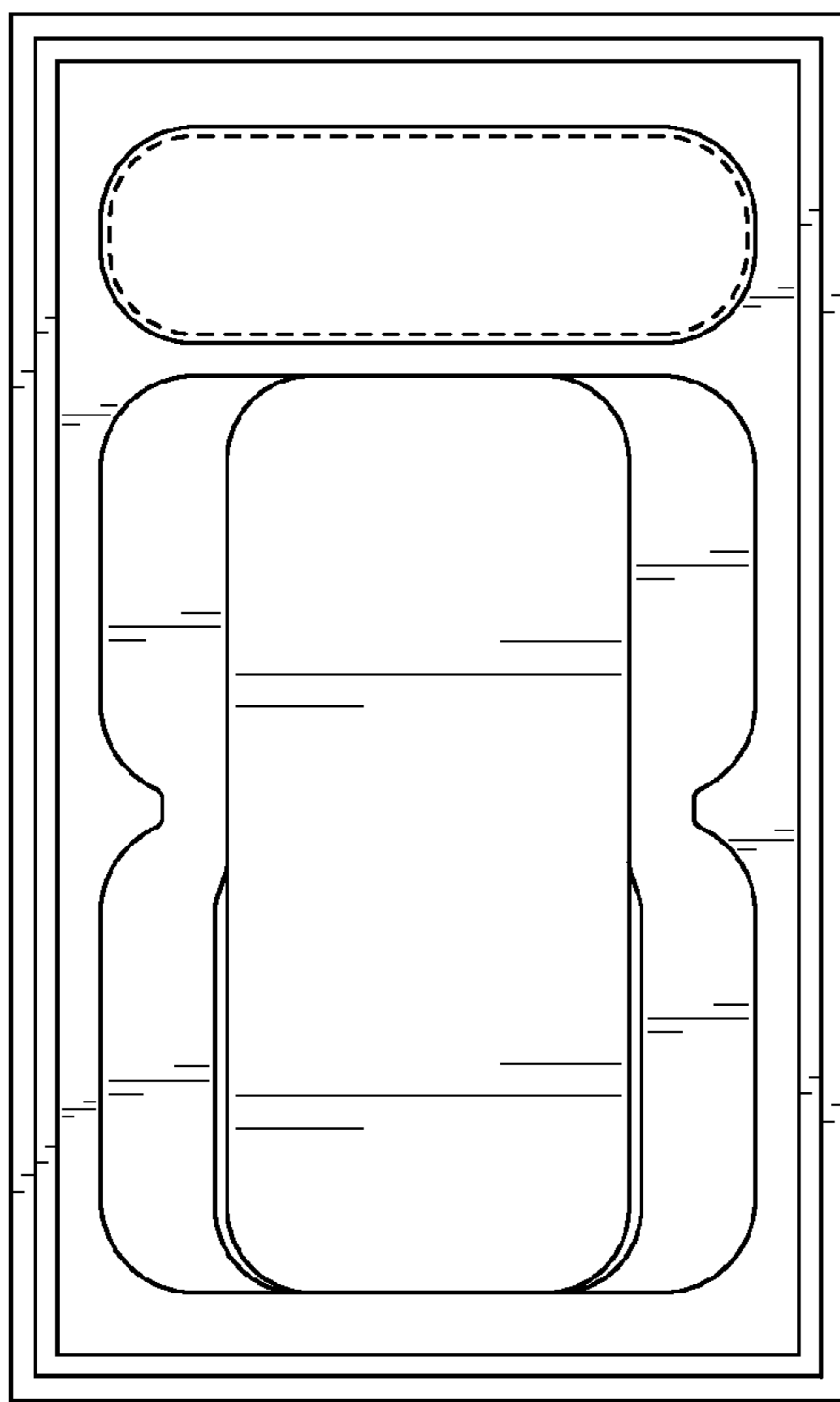


FIG. 25

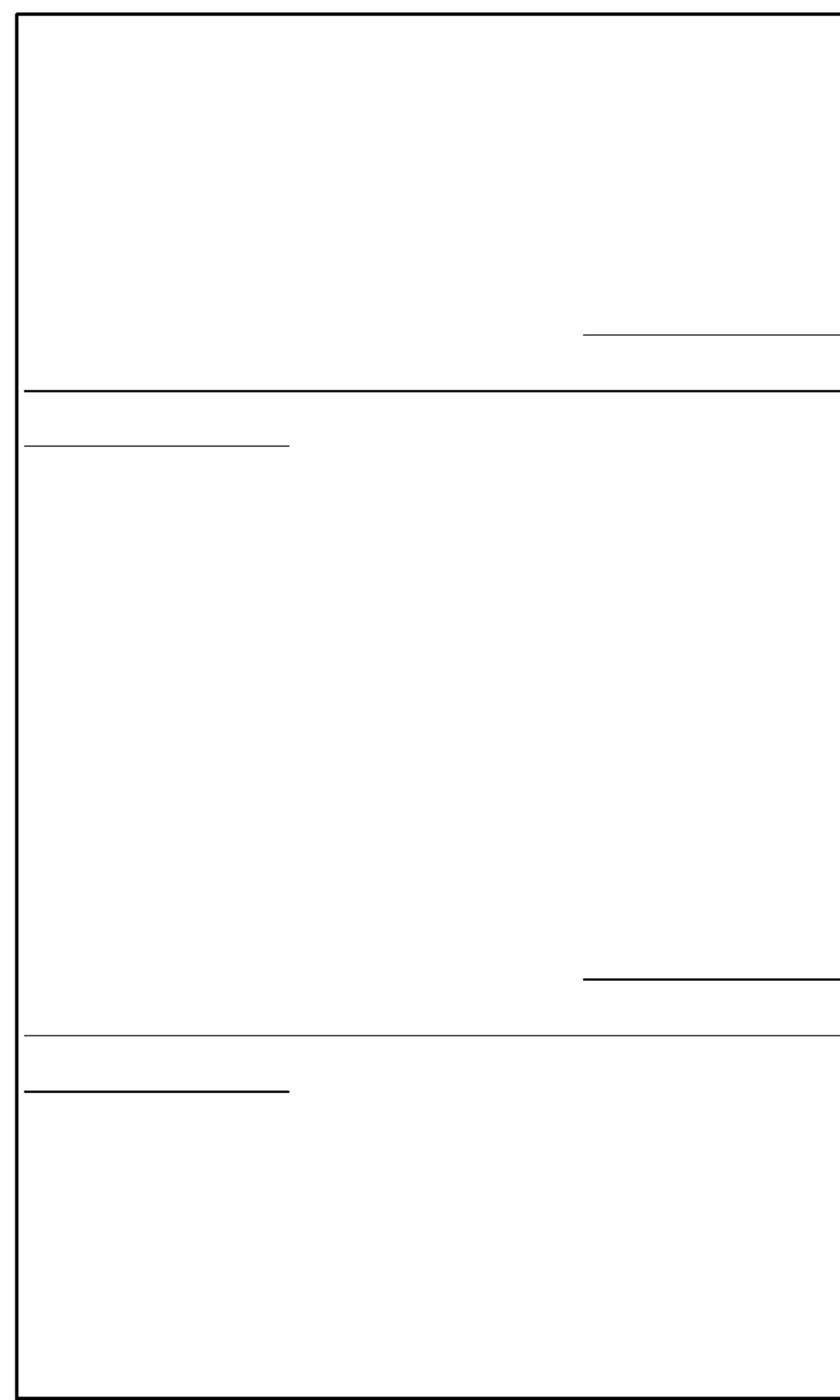


FIG. 26