



US00D596482S

(12) **United States Design Patent**
Marinucci

(10) **Patent No.:** **US D596,482 S**
(45) **Date of Patent:** **** Jul. 21, 2009**

(54) **WALLBOARD EDGE CLIP**
(76) **Inventor:** **Robert R. Marinucci**, 6316 San Michel Way, Del Ray Beach, FL (US) 33484

(**) **Term:** **14 Years**

(21) **Appl. No.:** **29/324,176**

(22) **Filed:** **Sep. 8, 2008**

(51) **LOC (9) Cl.** **08-08**

(52) **U.S. Cl.** **D8/394**

(58) **Field of Classification Search** D8/356, D8/371, 394-396; 24/570; 248/74.2, 215, 248/227.1, 49, 300, 301, 316.7, 51, 489; D19/65, 56; 52/781, 272, 270, 266, 285.3, 52/698, 285.4, 764, 309.12, 582.1, 586.1, 52/309.4; D25/58, 61; 249/219.1, 207
See application file for complete search history.

(56) **References Cited**

U.S. PATENT DOCUMENTS

- 2,934,180 A * 4/1960 Hammitt et al. 52/781
- 4,020,611 A * 5/1977 Amos 52/586.1
- 4,486,994 A * 12/1984 Fisher et al. 52/309.4
- 4,703,603 A * 11/1987 Hills 52/582.1
- 5,054,256 A 10/1991 Glover et al.

- 5,079,888 A 1/1992 Hileman et al.
- 5,398,909 A * 3/1995 Sandwith 249/207
- 6,006,480 A * 12/1999 Rook 52/309.12
- 6,446,414 B1 * 9/2002 Bullard et al. 52/764
- D575,143 S * 8/2008 Kuo et al. D8/394
- 7,444,792 B2 * 11/2008 Matson 52/698

* cited by examiner

Primary Examiner—T. Chase Nelson
Assistant Examiner—John Windmuller

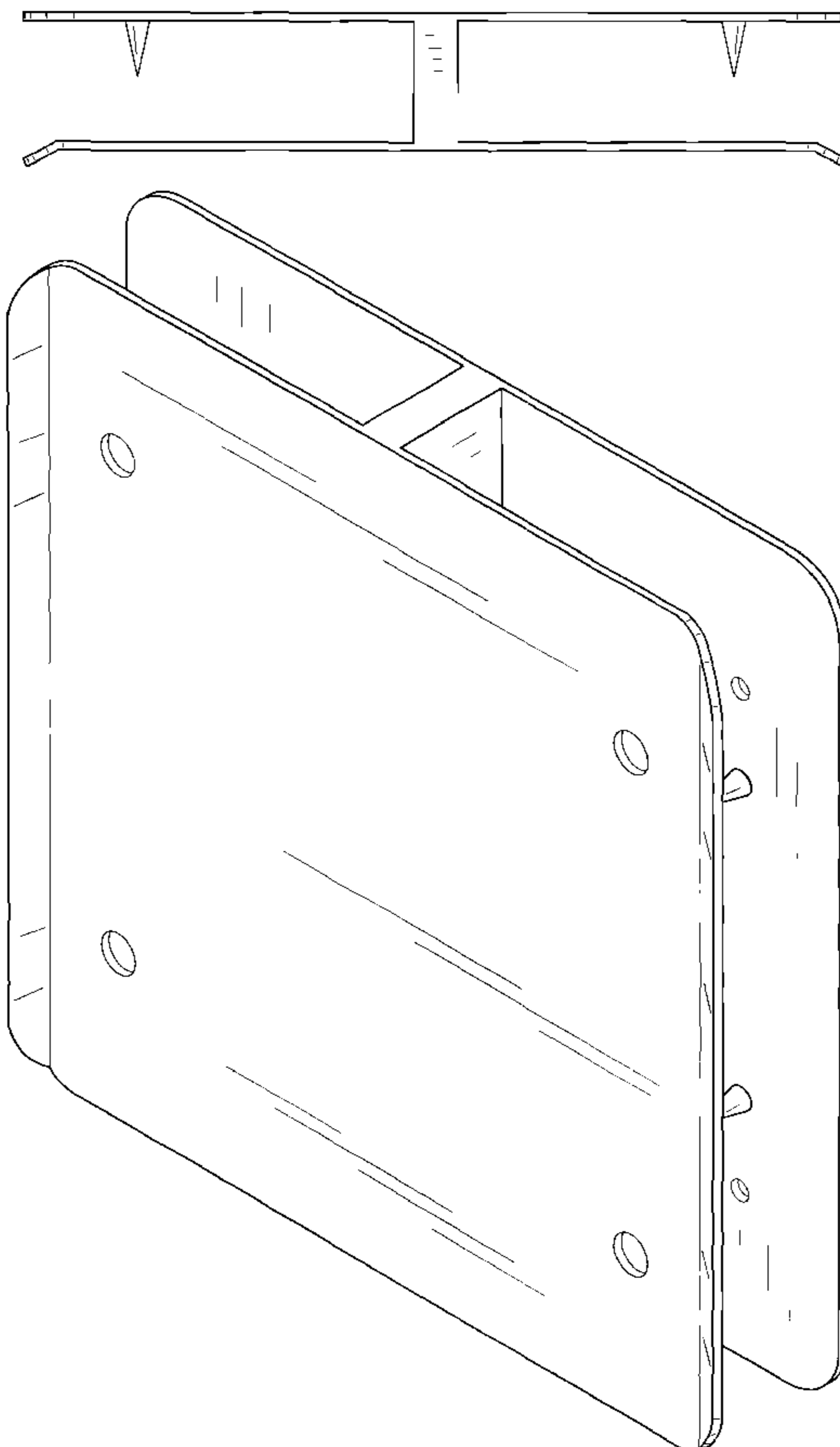
(57) **CLAIM**

The ornamental design for a wallboard edge clip, as shown and described.

DESCRIPTION

FIG. 1 is a front elevation view of a wallboard edge clip showing my new design;
FIG. 2 is a rear elevation view thereof;
FIG. 3 is a top plan view thereof, the opposite side being a mirror image of the shown;
FIG. 4 is a side elevation view thereof, the opposite side being a mirror image of the shown; and,
FIG. 5 is an isometric view thereof.

1 Claim, 4 Drawing Sheets



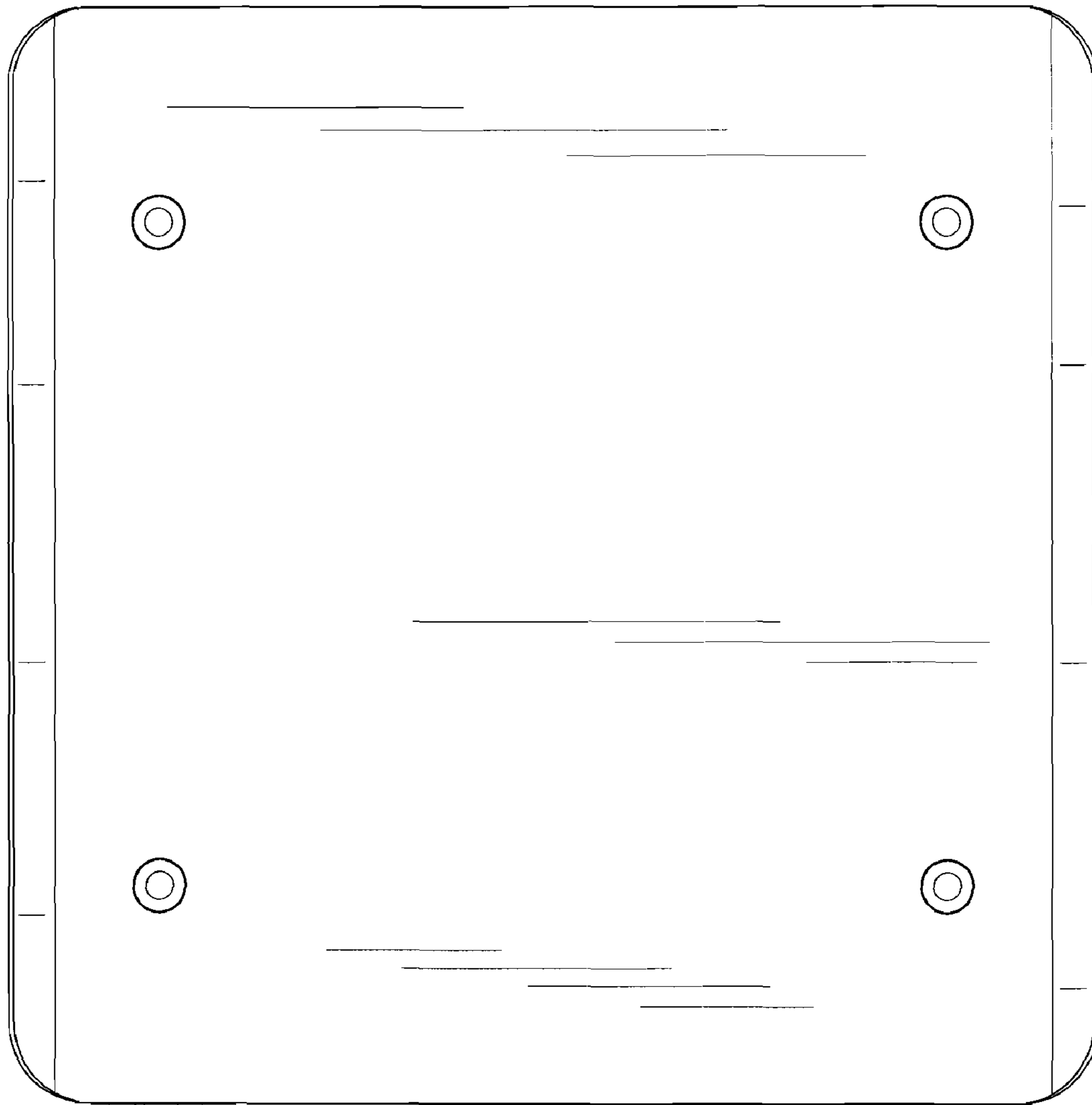


FIG. 1

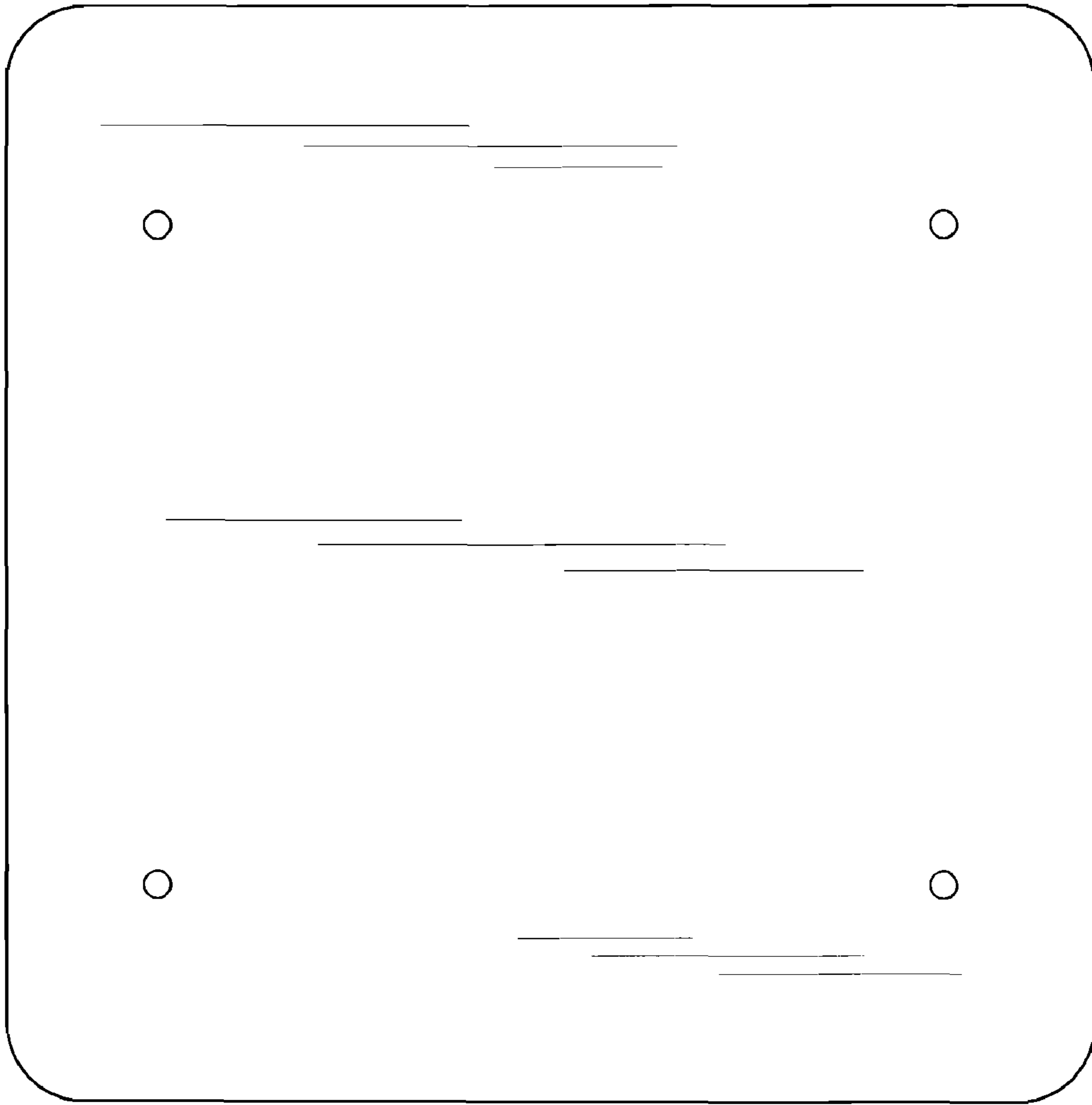


FIG. 2

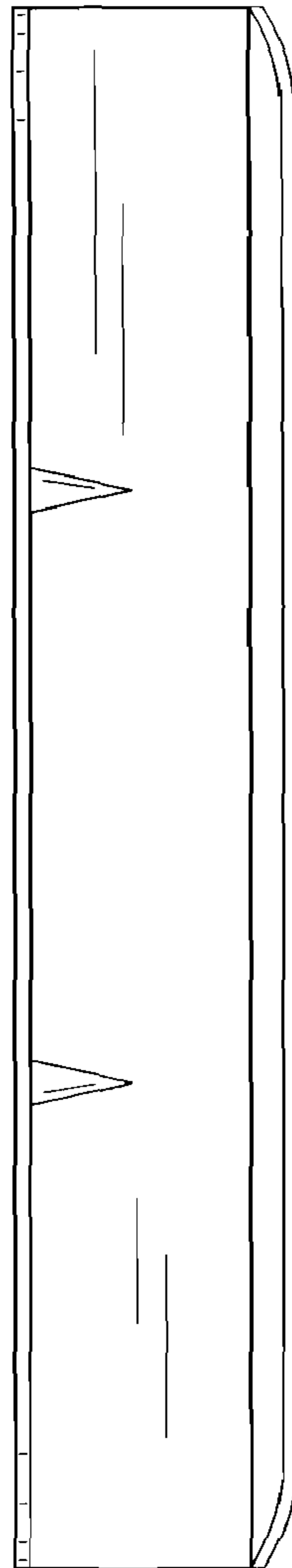


FIG. 3

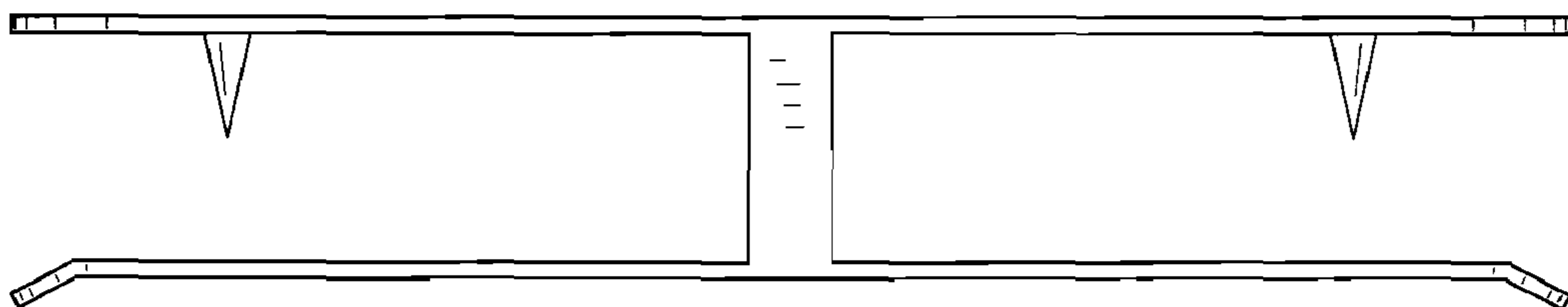


FIG. 4

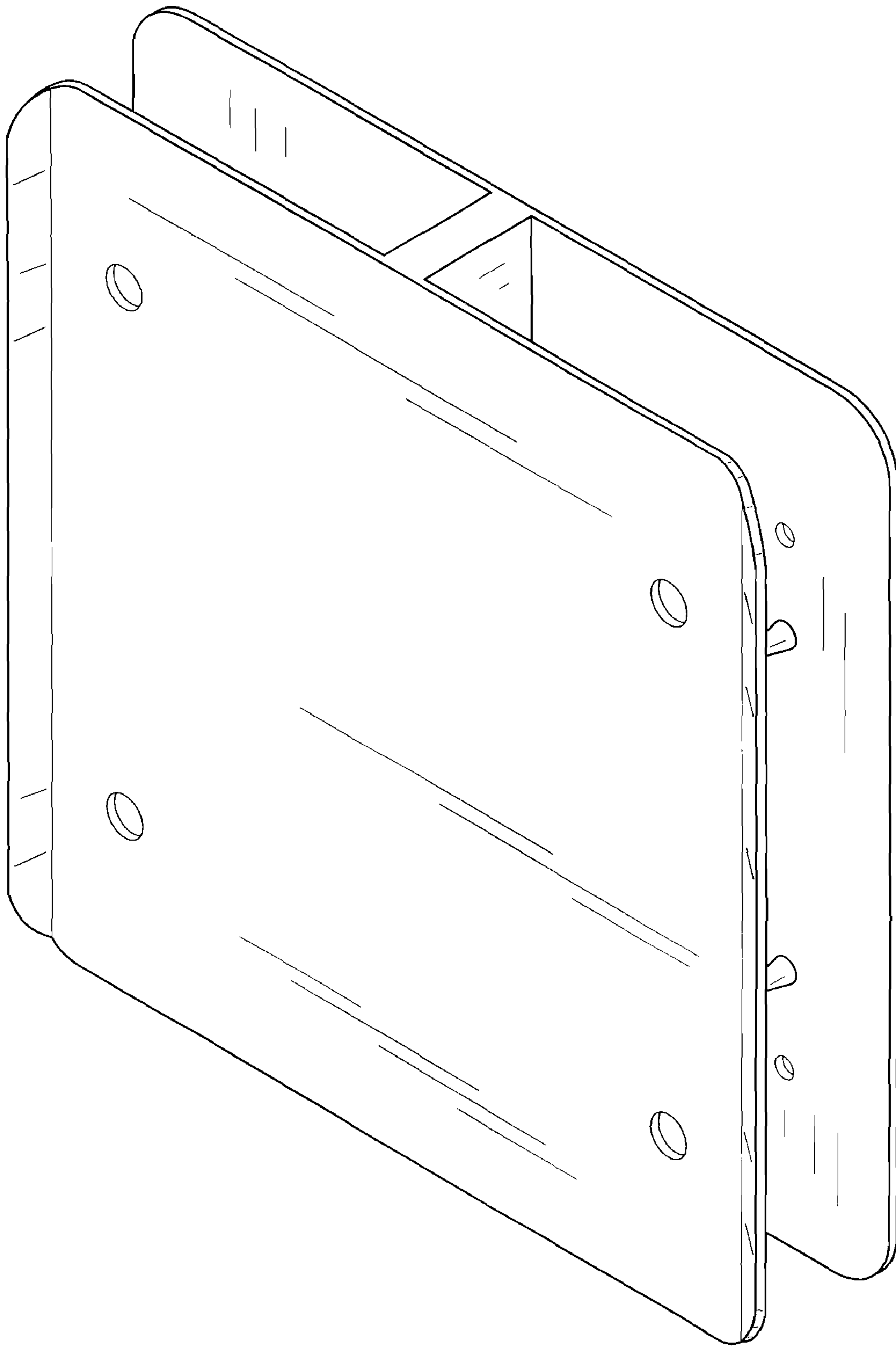


FIG. 5