



US00D596478S

(12) **United States Design Patent**
Jones

(10) **Patent No.:** **US D596,478 S**
(45) **Date of Patent:** **** Jul. 21, 2009**

(54) **DOOR PULL**

(76) Inventor: **Aroll A. Jones**, 105 Cedarmont Cir.,
Nashville, TN (US) 37211

(**) Term: **14 Years**

(21) Appl. No.: **29/324,779**

(22) Filed: **Sep. 19, 2008**

(51) **LOC (9) Cl.** **08-06**

(52) **U.S. Cl.** **D8/320; D8/350; D8/301**

(58) **Field of Classification Search** D8/300,
D8/301, 302, 305, 306, 307-313, 315-318,
D8/319-322, DIG. 1, DIG. 2, DIG. 10, 330,
D8/345, 341, 400, 331, 336, 338; D15/89;
D7/393, 394; D3/318; D6/549, 524, 533,
D6/550, 546; D23/303, 304, 305, 250-254;
16/441, 118, 110 R, 111 R, DIG. 19, DIG. 30,
16/110.1, 412, 414-420, 443-446; 292/336.3,
292/57, 39, 40, 229, DIG. 31, 169.18, 46,
292/73; 211/16, 182; 220/752-754; 70/DIG. 31,
70/208, 215, 451, 448

See application file for complete search history.

(56) **References Cited**

U.S. PATENT DOCUMENTS

D151,131	S *	9/1948	Kadlek	D8/314
D195,826	S *	8/1963	Melcher	D8/320
D203,868	S *	2/1966	Bourgeois	D8/341
3,393,934	A *	7/1968	Stebbins	292/92
3,637,181	A *	1/1972	Janssen	248/205.3
3,716,261	A *	2/1973	Gerlach	292/169.23
D238,549	S *	1/1976	Fischer	D8/307
4,003,593	A *	1/1977	Wilzig et al.	292/92
4,236,396	A *	12/1980	Surko et al.	70/107
D261,726	S *	11/1981	Valli	D8/301
D292,063	S *	9/1987	Hill	D8/302

4,841,754	A	6/1989	Jones	
D303,489	S *	9/1989	Halsted et al. D8/302
D312,959	S *	12/1990	Hamann D8/367
5,678,868	A *	10/1997	Williams et al. 292/144
5,725,264	A	3/1998	Villarreal	
D393,994	S *	5/1998	Hankel et al. D8/302
D397,604	S *	9/1998	Libby et al. D8/301
D407,299	S *	3/1999	McCreary D8/367
D423,320	S *	4/2000	Kelly D8/301
6,104,288	A	8/2000	Hopkins	
D448,272	S *	9/2001	Miller D8/320
6,354,119	B1	3/2002	Molzer	
D455,632	S *	4/2002	Kelly D8/301

(Continued)

Primary Examiner—Stella M Reid
Assistant Examiner—Mark A Goodwin
(74) *Attorney, Agent, or Firm*—Wyatt, Tarrant & Combs, LLP

(57) **CLAIM**

The ornamental design for a door pull, as shown and described.

DESCRIPTION

FIG. 1 is a perspective view of a door pull showing my new design.

FIG. 2 is a front elevation view thereof.

FIG. 3 is a left side elevation view thereof the right side elevation view being a mirror image thereof.

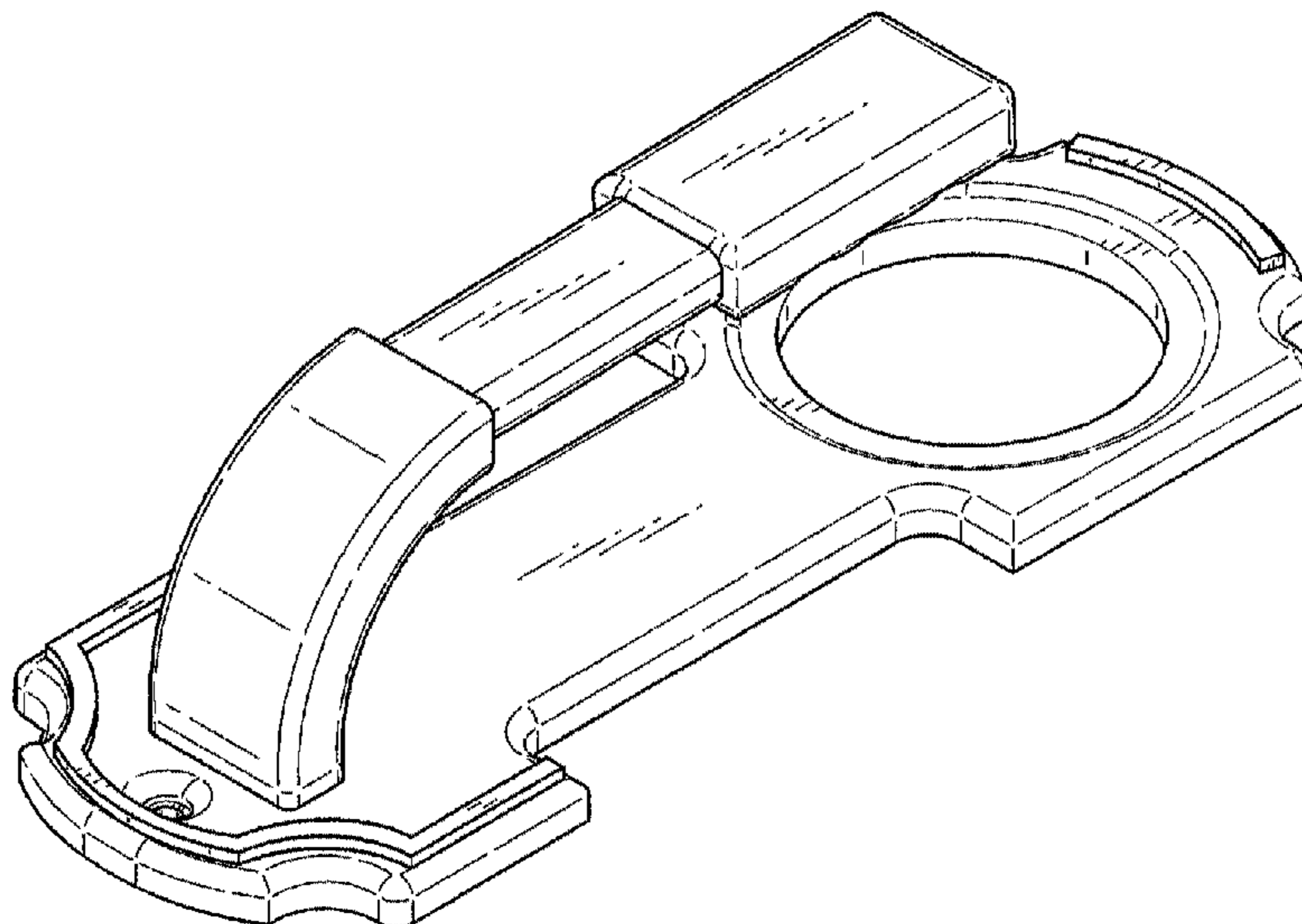
FIG. 4 is a rear elevation view thereof.

FIG. 5 is a top plan view thereof; and,

FIG. 6 is a bottom plan view thereof.

The broken line showing of the rear view in FIG. 4 is included for the purpose of illustrating portions of the door pull and forms no part of the claimed design.

1 Claim, 2 Drawing Sheets



US D596,478 S

Page 2

U.S. PATENT DOCUMENTS							
			7,334,442	B2 *	2/2008	Case et al.	70/278.1
			D573,438	S	7/2008	Ricereto	
			D585,721	S *	2/2009	Le et al.	D8/308
			2001/0026071	A1	10/2001	Kemp et al.	
			2002/0166352	A1	11/2002	Ming-Chih	
			2002/0190842	A1	12/2002	Sasaki et al.	
			2003/0160681	A1	8/2003	Menard et al.	
			2004/0085755	A1	5/2004	Dupont	
			2004/0136176	A1	7/2004	Umezawa et al.	
			2005/0073159	A1	4/2005	Moyo	
			2005/0185393	A1	8/2005	Eller et al.	
			2005/0248931	A1	11/2005	Alvarez	
			2006/0267788	A1	11/2006	Delany	
			2007/0256362	A1	11/2007	Hansen	
			2008/0086842	A1	4/2008	Dayton et al.	
						* cited by examiner	
6,461,013	B1	10/2002	Simon				
6,690,288	B1	2/2004	Waddell				
6,722,716	B2 *	4/2004	Baser	292/336.3			
6,729,740	B1	5/2004	Gazard				
D499,630	S *	12/2004	Roberts, III	D8/301			
6,908,126	B2	6/2005	Senger				
D511,083	S *	11/2005	Gurzenda et al.	D8/316			
7,108,386	B2	9/2006	Jacobson et al.				
D533,046	S *	12/2006	Donald	D8/301			
7,172,306	B1	2/2007	Campa				
D539,113	S *	3/2007	Fulkerson	D8/307			
7,185,929	B2	3/2007	Moyo				
D547,634	S *	7/2007	Reithmeyer	D8/301			
D556,537	S *	12/2007	Cybulski et al.	D8/300			

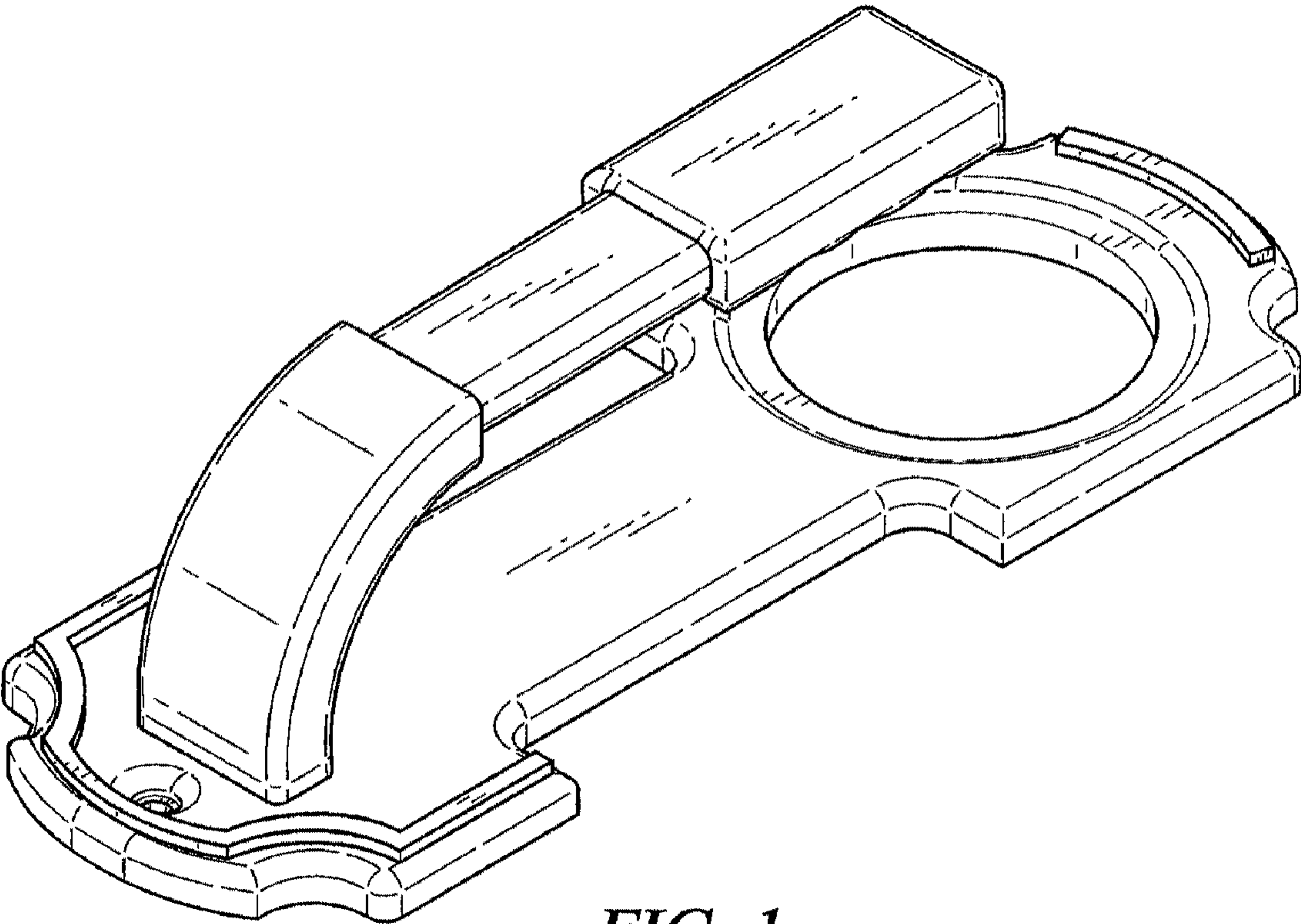


FIG. 1

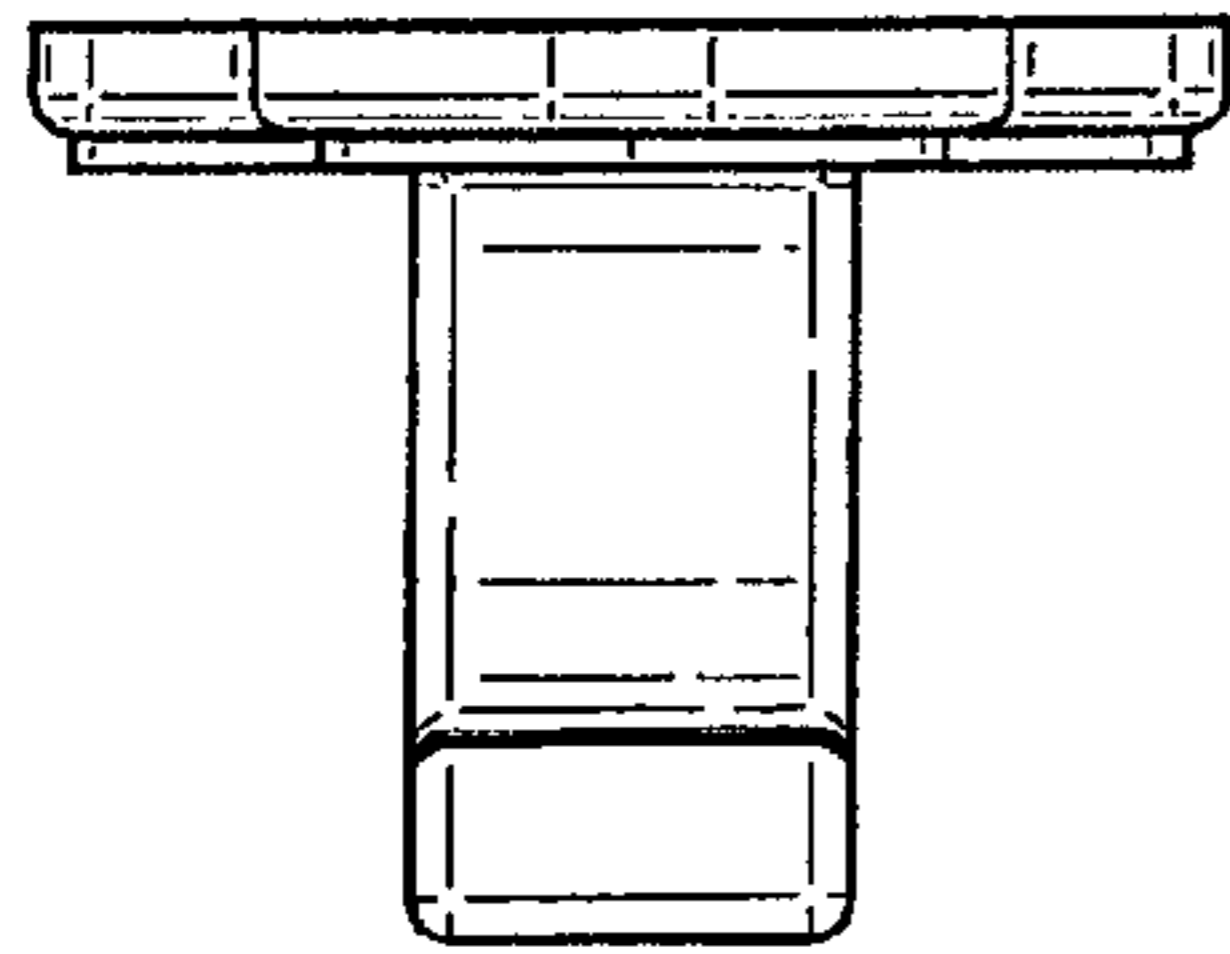


FIG. 5

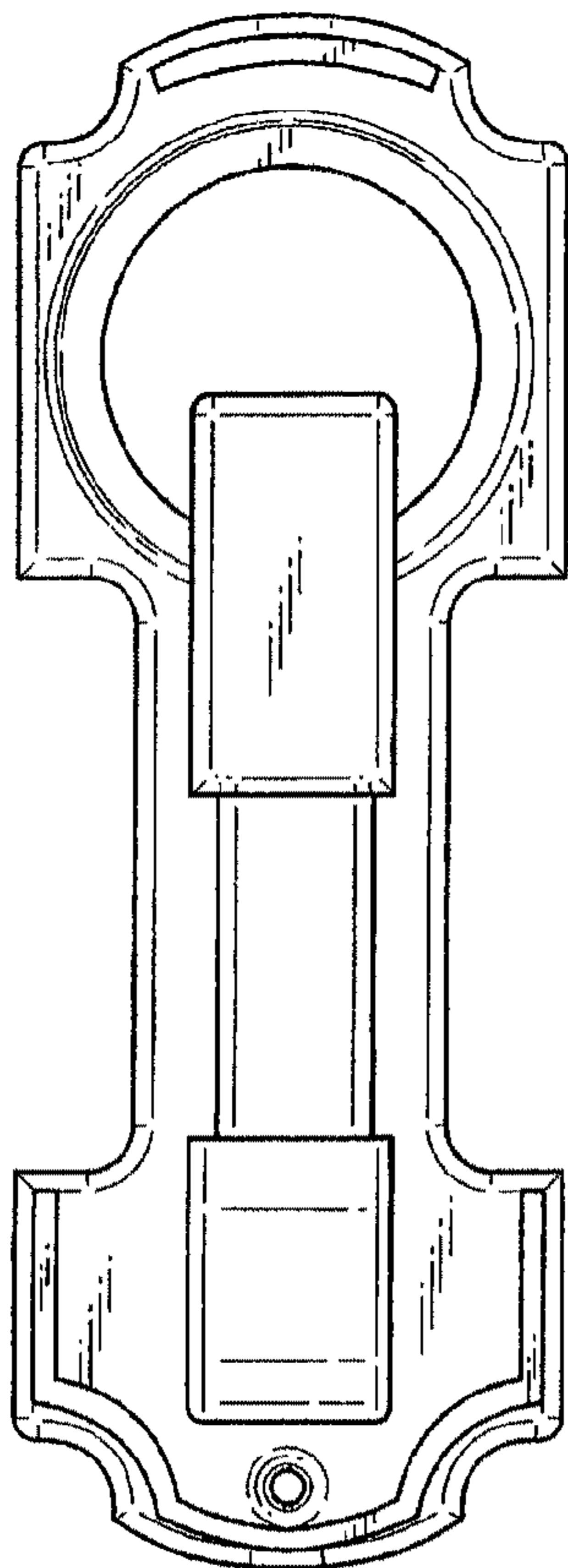


FIG. 2

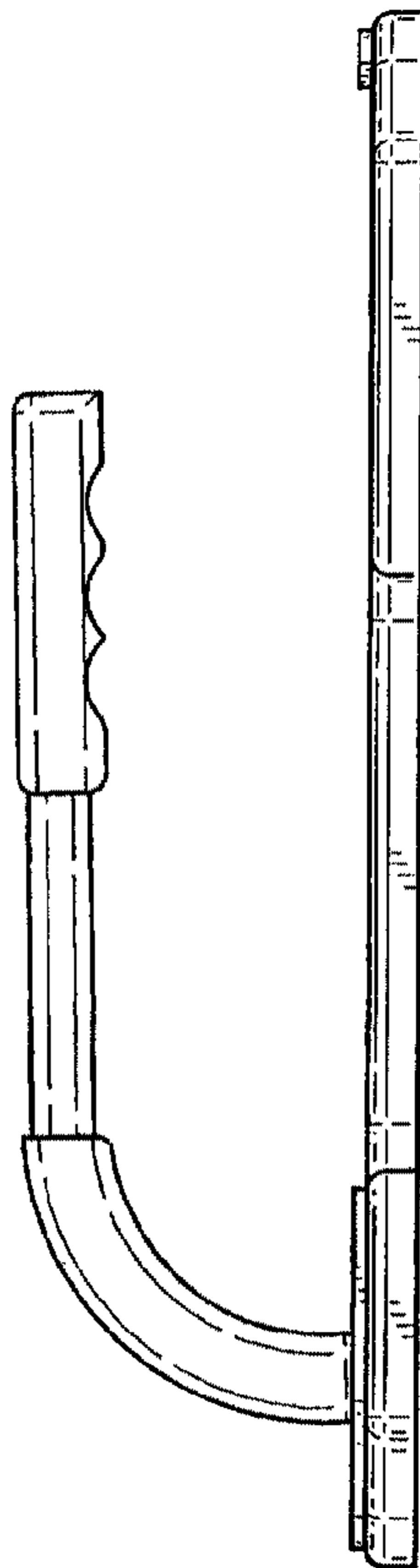


FIG. 3

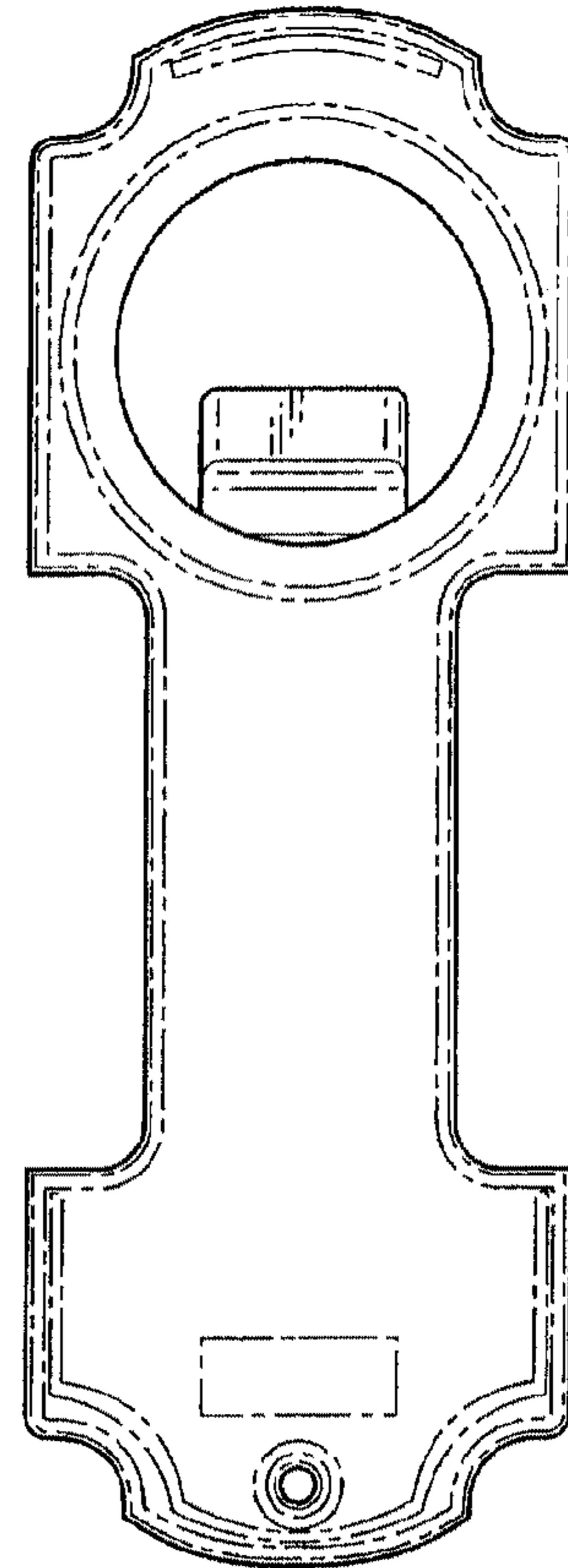


FIG. 4

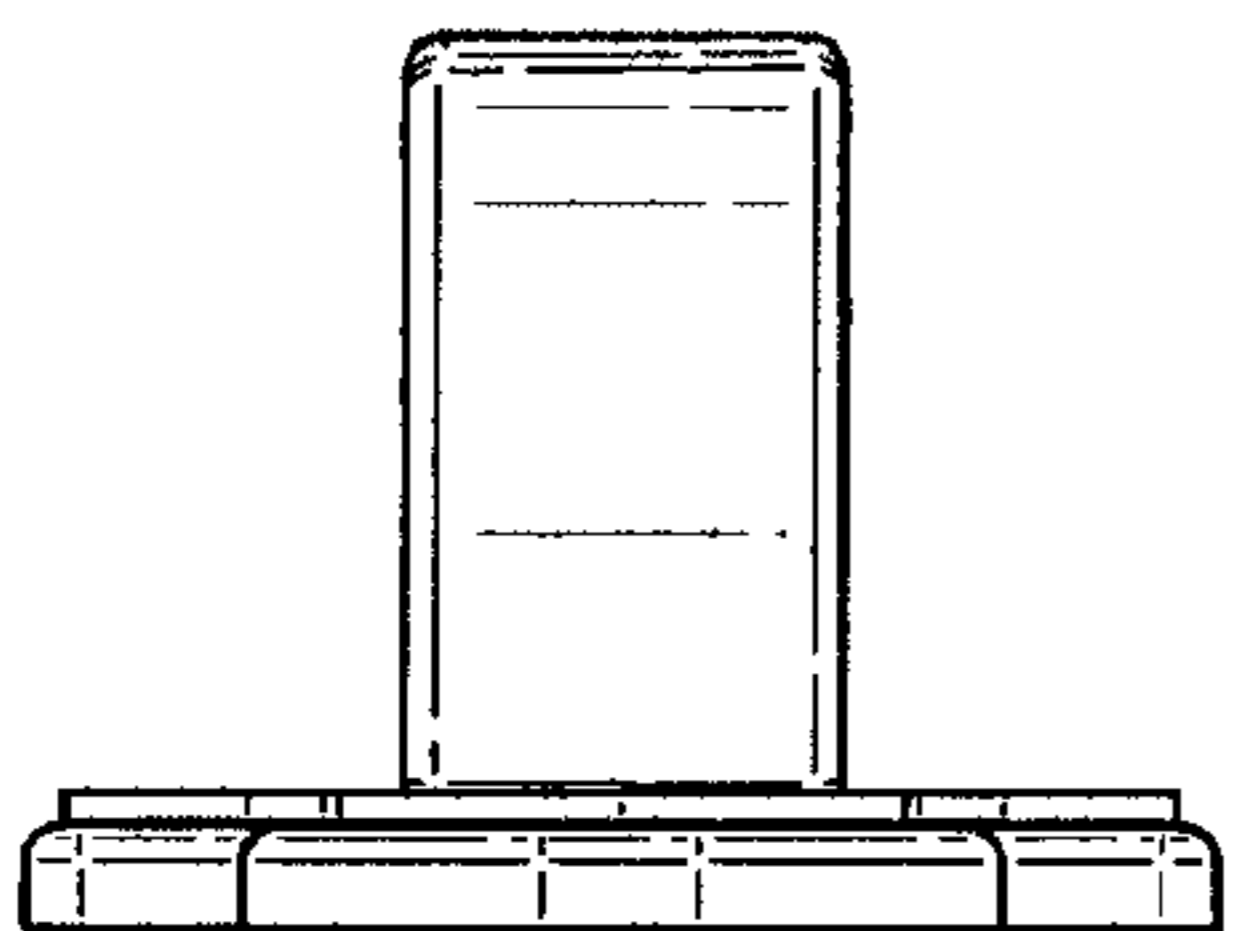


FIG. 6