



US00D596477S

(12) **United States Design Patent**
Jones

(10) **Patent No.:** **US D596,477 S**
(45) **Date of Patent:** **** Jul. 21, 2009**

(54) **DOOR PULL**

(76) Inventor: **Aroll A. Jones**, 105 Cedarmont Cir.,
Nashville, TN (US) 37211

(**) Term: **14 Years**

(21) Appl. No.: **29/324,778**

(22) Filed: **Sep. 19, 2008**

(51) **LOC (9) Cl.** **08-06**

(52) **U.S. Cl.** **D8/320; D8/350; D8/301**

(58) **Field of Classification Search** D8/300,
D8/301, 302, 305, 306, 307-313, 315-318,
D8/319-322, DIG. 1, DIG. 2, DIG. 10, 330,
D8/345, 341, 400, 331, 336, 338; D15/89;
D7/393, 394; D3/318; D6/549, 524, 533,
D6/550, 546; D23/303, 304, 305, 250-254;
16/441, 118, 110 R, 111 R, DIG. 19, DIG. 30,
16/110.1, 412, 414-420, 443-446; 292/336.3,
292/57, 39, 40, 229, DIG. 31, 169.18, 46,
292/73; 211/16, 182; 220/752-754; 70/DIG. 31,
70/208, 215, 451, 448

See application file for complete search history.

(56) **References Cited**

U.S. PATENT DOCUMENTS

D151,131 S *	9/1948	Kadlek	D8/314
D195,826 S *	8/1963	Melcher	D8/320
D203,868 S *	2/1966	Bourgeois	D8/341
3,393,934 A *	7/1968	Stebbins	292/92
3,637,181 A *	1/1972	Janssen	248/205.3
3,716,261 A *	2/1973	Gerlach	292/169.23
D238,549 S *	1/1976	Fischer	D8/307
4,003,593 A *	1/1977	Wilzig et al.	292/92
4,236,396 A *	12/1980	Surko et al.	70/107
D261,726 S *	11/1981	Valli	D8/301
D292,063 S *	9/1987	Hill	D8/302
4,841,754 A	6/1989	Jones	
D303,489 S *	9/1989	Halsted et al.	D8/302

D312,959 S *	12/1990	Hamann	D8/367
5,678,868 A *	10/1997	Williams et al.	292/144
5,725,264 A	3/1998	Villarreal	
D393,994 S *	5/1998	Hankel et al.	D8/302
D397,604 S *	9/1998	Libby et al.	D8/301
D407,299 S *	3/1999	McCreary	D8/367
D423,320 S *	4/2000	Kelly	D8/301
6,104,288 A	8/2000	Hopkins	
D448,272 S *	9/2001	Miller	D8/320
6,354,119 B1	3/2002	Molzer	
D455,632 S *	4/2002	Kelly	D8/301
6,461,013 B1	10/2002	Simon	
6,690,288 B1	2/2004	Waddell	
6,722,716 B2 *	4/2004	Baser	292/336.3
6,729,740 B1	5/2004	Gazard	

(Continued)

Primary Examiner—Stella M Reid

Assistant Examiner—Mark A Goodwin

(74) *Attorney, Agent, or Firm*—Wyatt, Tarrant & Combs, LLP

(57) **CLAIM**

The ornamental design for a door pull, as shown and described.

DESCRIPTION

FIG. 1 is a perspective view of a door pull showing my new design.

FIG. 2 is a front elevation view thereof.

FIG. 3 is a left side elevation view thereof the right side elevation view being a mirror image thereof.

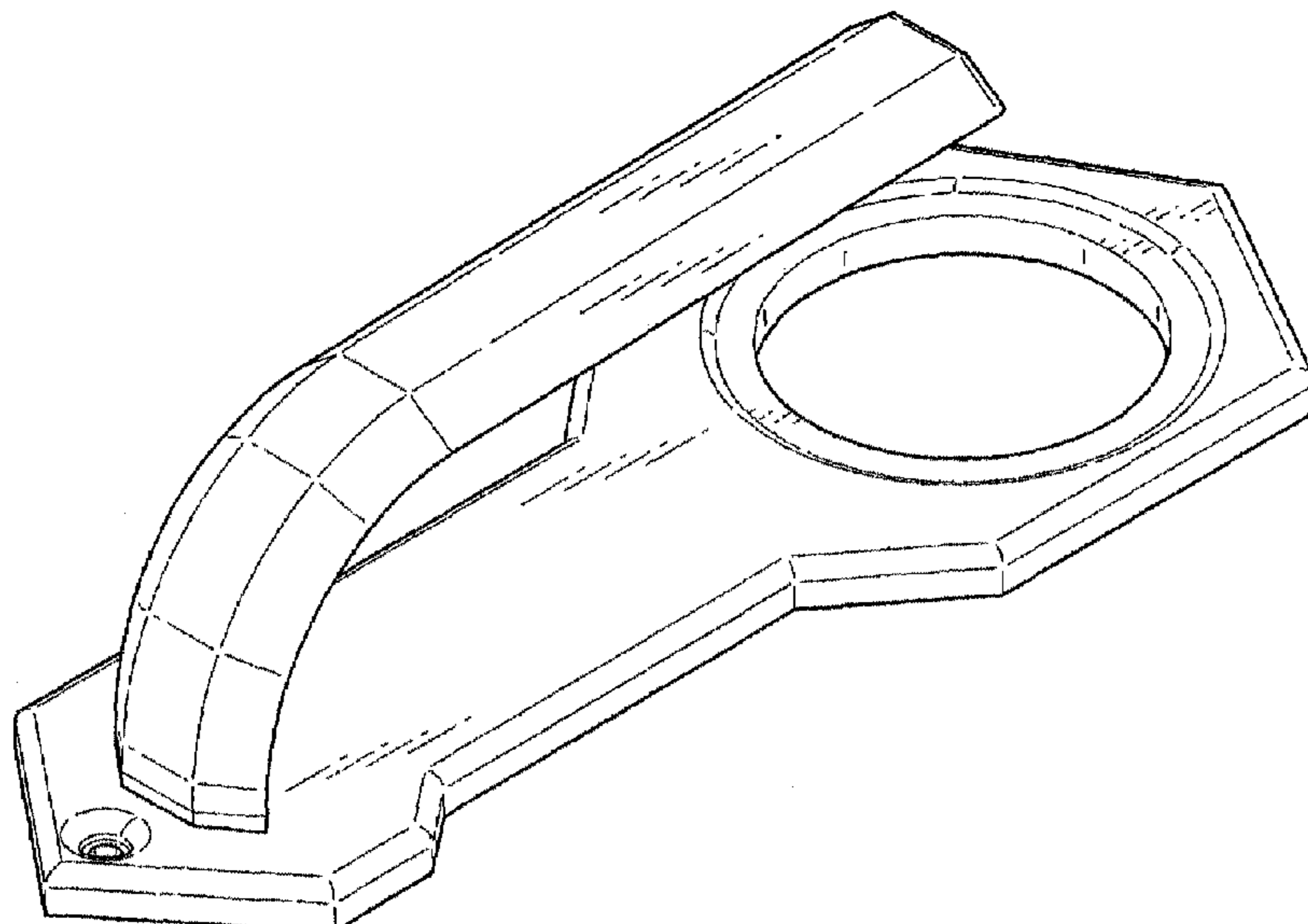
FIG. 4 is a rear elevation view thereof.

FIG. 5 is a top plan view thereof; and,

FIG. 6 is a bottom plan view thereof.

The broken line showing of the rear view in FIG. 4 is included for the purpose of illustrating portions of the door pull and forms no part of the claimed design.

1 Claim, 2 Drawing Sheets



US D596,477 S

Page 2

U.S. PATENT DOCUMENTS				D585,721 S * 2/2009 Le et al. D8/308			
D499,630	S *	12/2004	Roberts, III D8/301	2001/0026071	A1	10/2001	Kemp et al.
6,908,126	B2	6/2005	Senger	2002/0166352	A1	11/2002	Ming-Chih
D511,083	S *	11/2005	Gurzenda et al. D8/316	2002/0190842	A1	12/2002	Sasaki et al.
7,108,386	B2	9/2006	Jacobson et al.	2003/0160681	A1	8/2003	Menard et al.
D533,046	S *	12/2006	Donald D8/301	2004/0085755	A1	5/2004	Dupont
7,172,306	B1	2/2007	Campa	2004/0136176	A1	7/2004	Umezawa et al.
D539,113	S *	3/2007	Fulkerson D8/307	2005/0073159	A1	4/2005	Moyo
7,185,929	B2	3/2007	Moyo	2005/0185393	A1	8/2005	Eller et al.
D547,634	S *	7/2007	Reithmeyer D8/301	2005/0248931	A1	11/2005	Alvarez
D556,537	S *	12/2007	Cybulski et al. D8/300	2006/0267788	A1	11/2006	Delany
7,334,442	B2 *	2/2008	Case et al. 70/278.1	2007/0256362	A1	11/2007	Hansen
D573,438	S	7/2008	Ricereto	2008/0086842	A1	4/2008	Dayton et al.

* cited by examiner

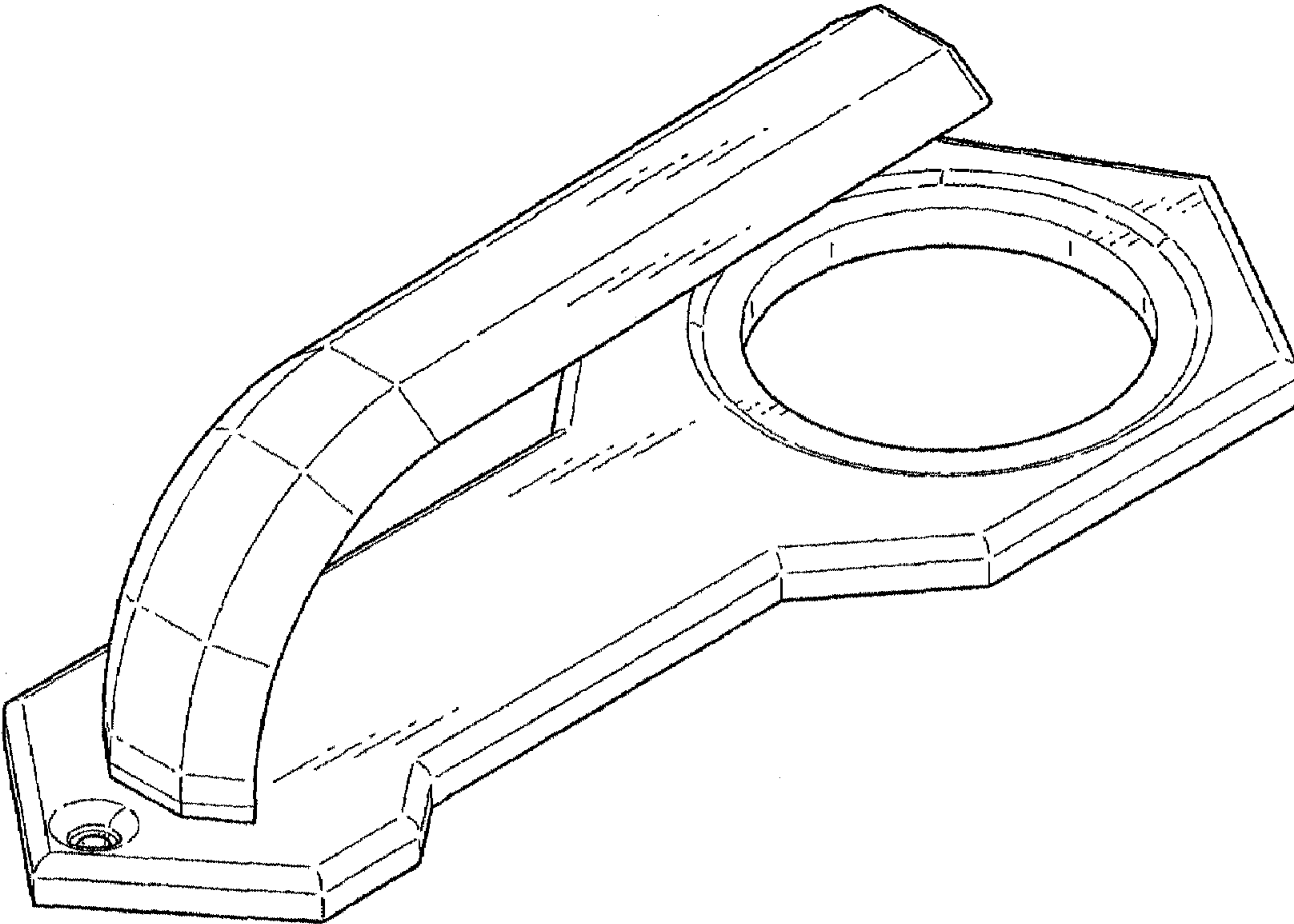


FIG. 1

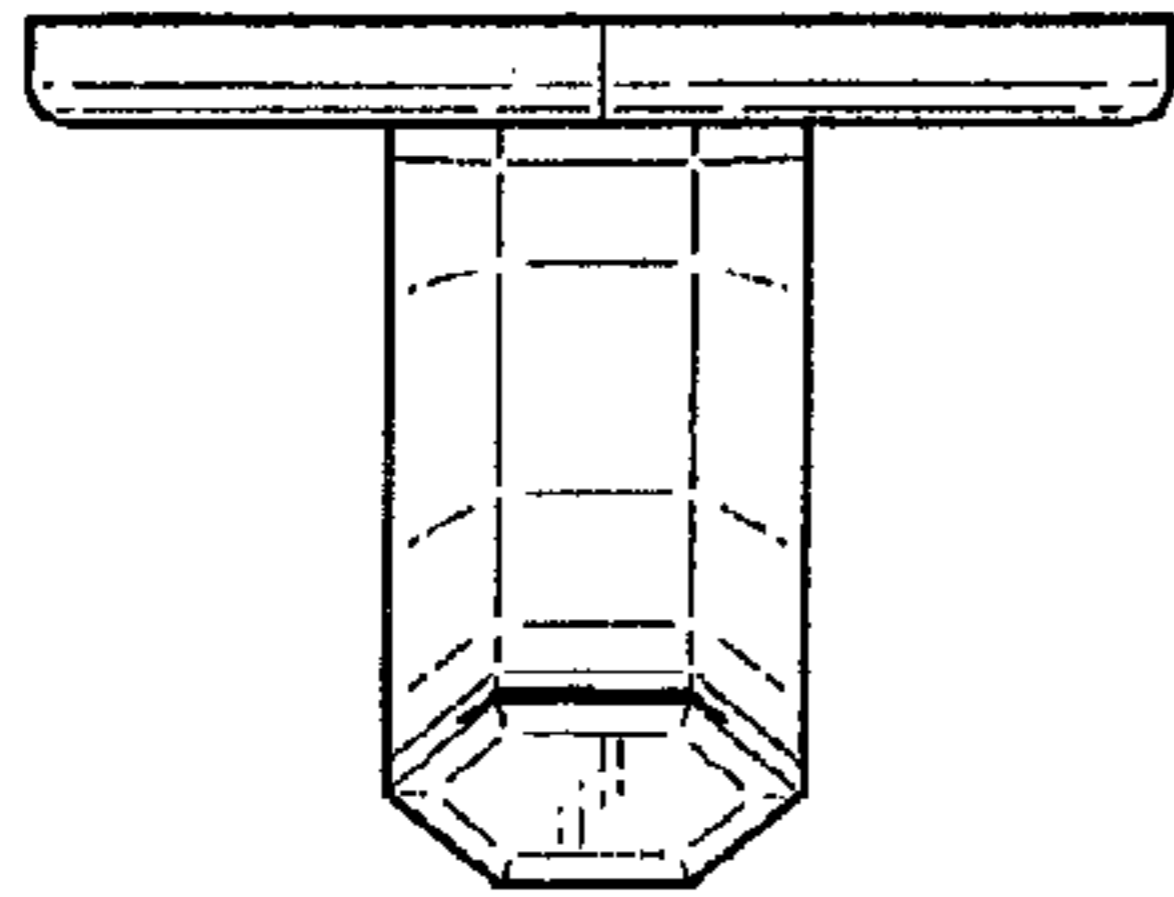


FIG. 5

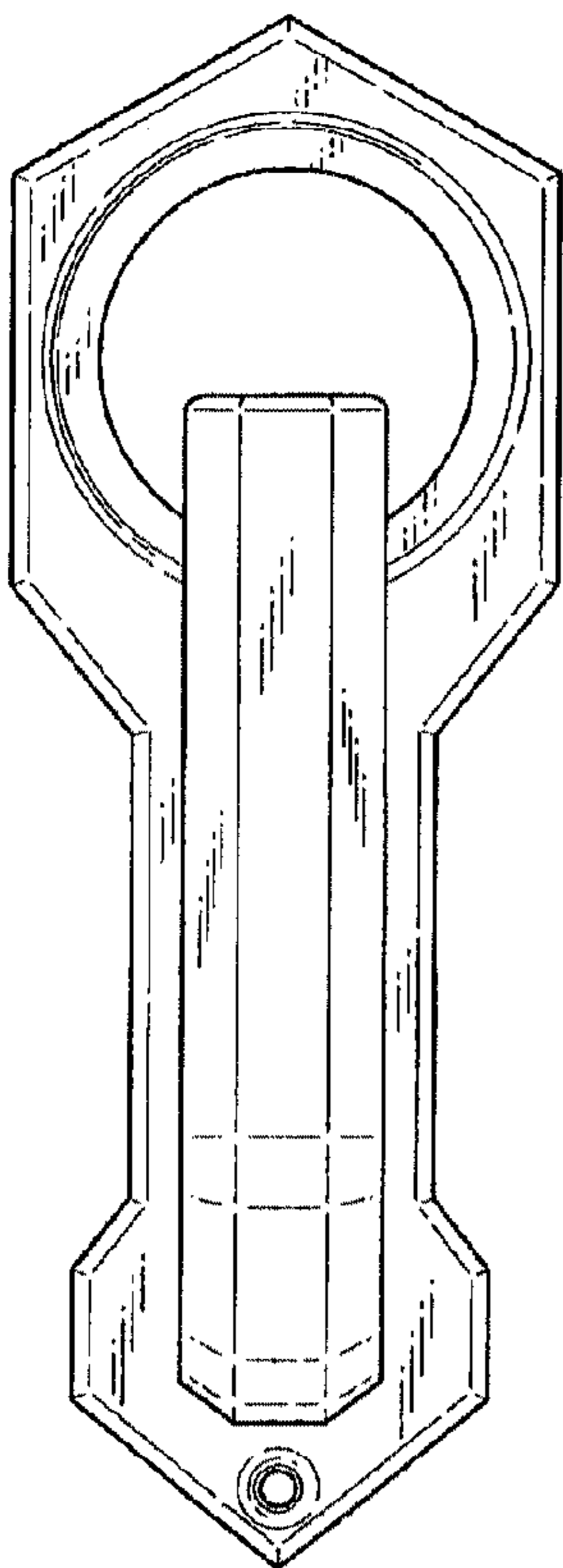


FIG. 2

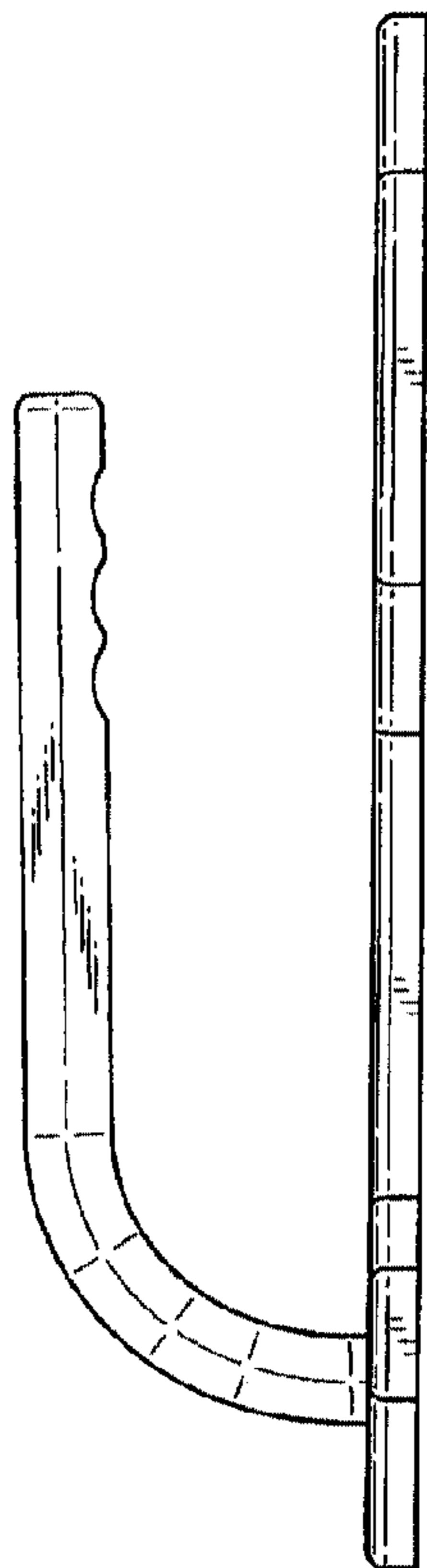


FIG. 3

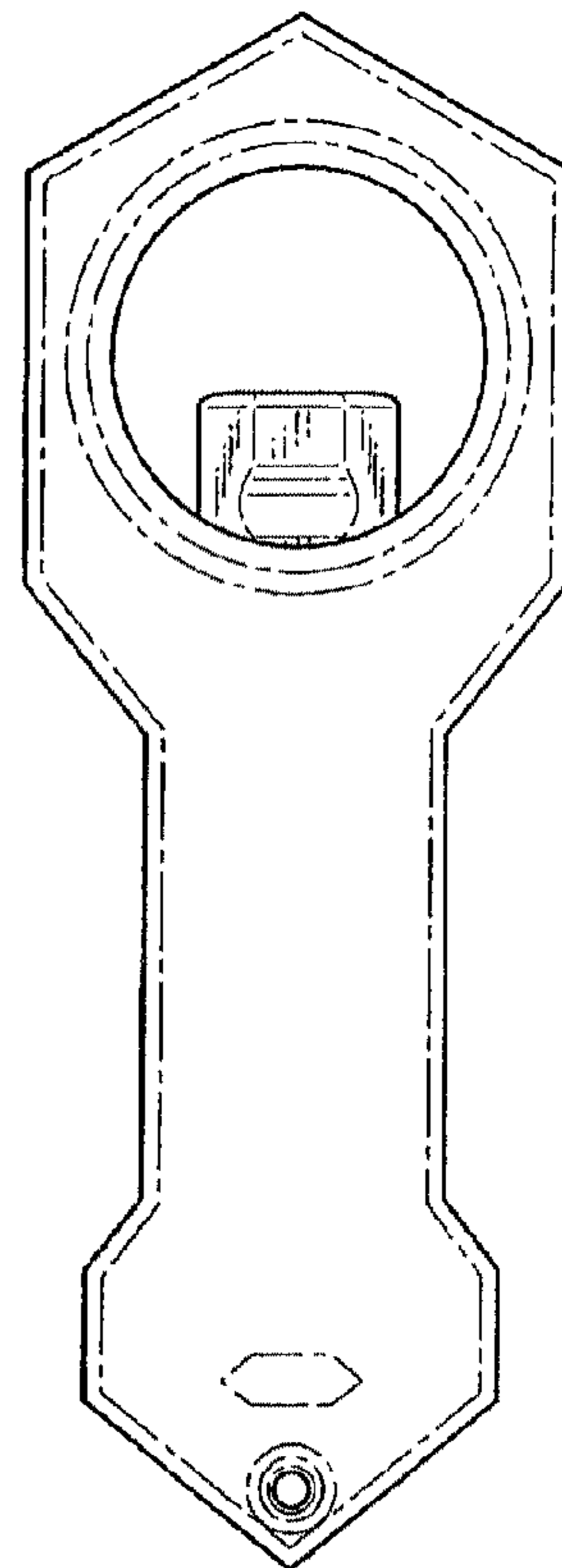


FIG. 4

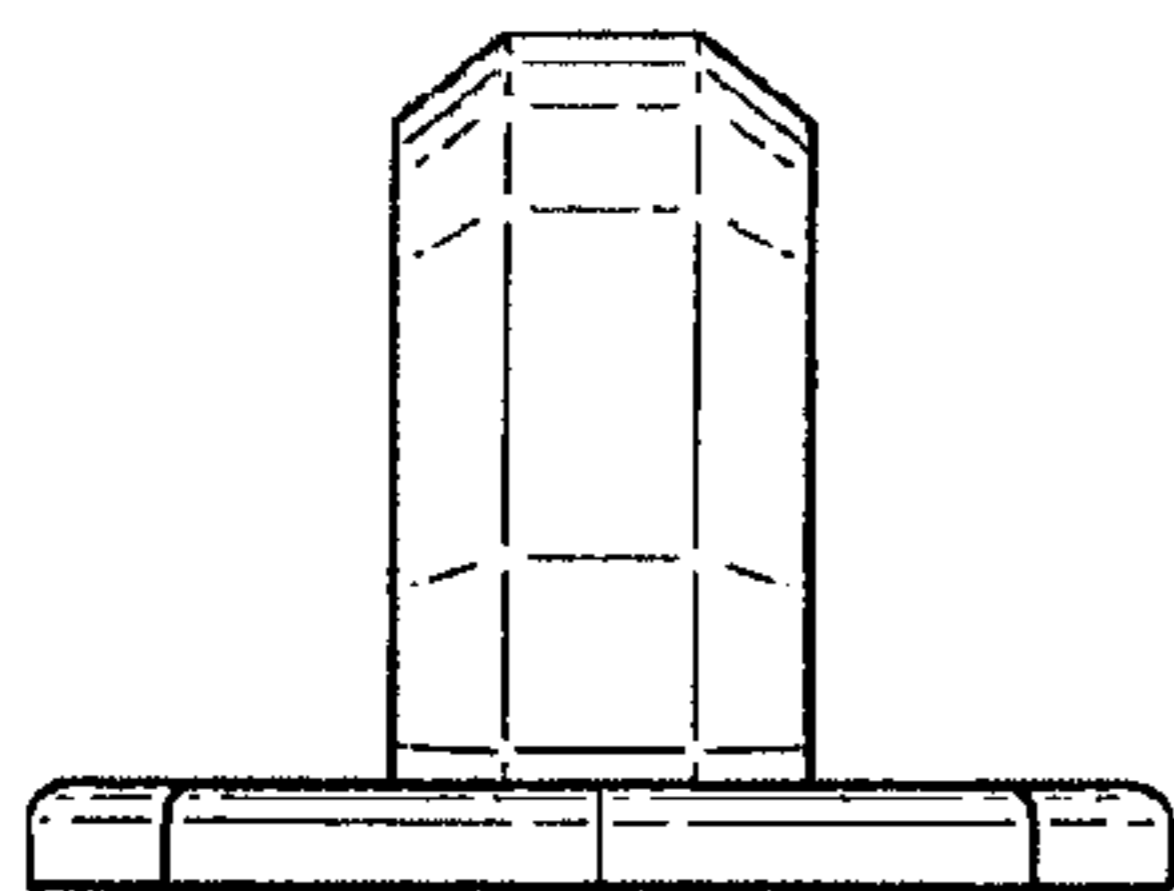


FIG. 6