



US00D596476S

(12) **United States Design Patent**  
**Welch**

(10) **Patent No.:** **US D596,476 S**  
(45) **Date of Patent:** **\*\* Jul. 21, 2009**

(54) **HANDLE BAR GRIP**

D405,342 S \* 2/1999 Thompson ..... D8/303  
7,044,020 B2 \* 5/2006 Rosenthal ..... 74/551.9

(75) Inventor: **Daniel P. Welch**, 8201 Plaza La., Des Moines, IA (US) 50320

\* cited by examiner

(73) Assignee: **Daniel P. Welch**, Des Moines, IA (US)

*Primary Examiner*—Cathron C Brooks

*Assistant Examiner*—Linda Brooks

(\*\*) Term: **14 Years**

(74) *Attorney, Agent, or Firm*—Kent A. Herink; Emily E. Harris

(21) Appl. No.: **29/289,665**

(57) **CLAIM**

(22) Filed: **Jul. 27, 2007**

The ornamental design for a handle bar grip, as shown and described.

(51) **LOC (9) Cl.** ..... **12-11**

(52) **U.S. Cl.** ..... **D8/303**

(58) **Field of Classification Search** ..... D8/303,  
D8/70, 107, DIG. 8; D5/47, 53, 56; D2/984;  
428/32, 43, 44, 98, 221; D12/110–112, 177–179,  
D12/114; 74/488, 489, 502.2, 551.1–551.9;  
16/110.1, 421, 430, DIG. 12; 180/219  
See application file for complete search history.

**DESCRIPTION**

FIG. 1 is an upper, right perspective view of the handle bar grip.

FIG. 2 is an upper, left perspective view of the handle bar grip.

FIG. 3 is a bottom view of the handle bar grip.

FIG. 4 is a side view of the handle bar grip.

FIG. 5 is a top view of the handle bar grip.

FIG. 6 is an outside end view of the handle bar grip; and,

FIG. 7 is an inside end view of the handle bar grip.

The broken lines in the drawing are for the purpose of showing environmental elements and form no part of the claimed design.

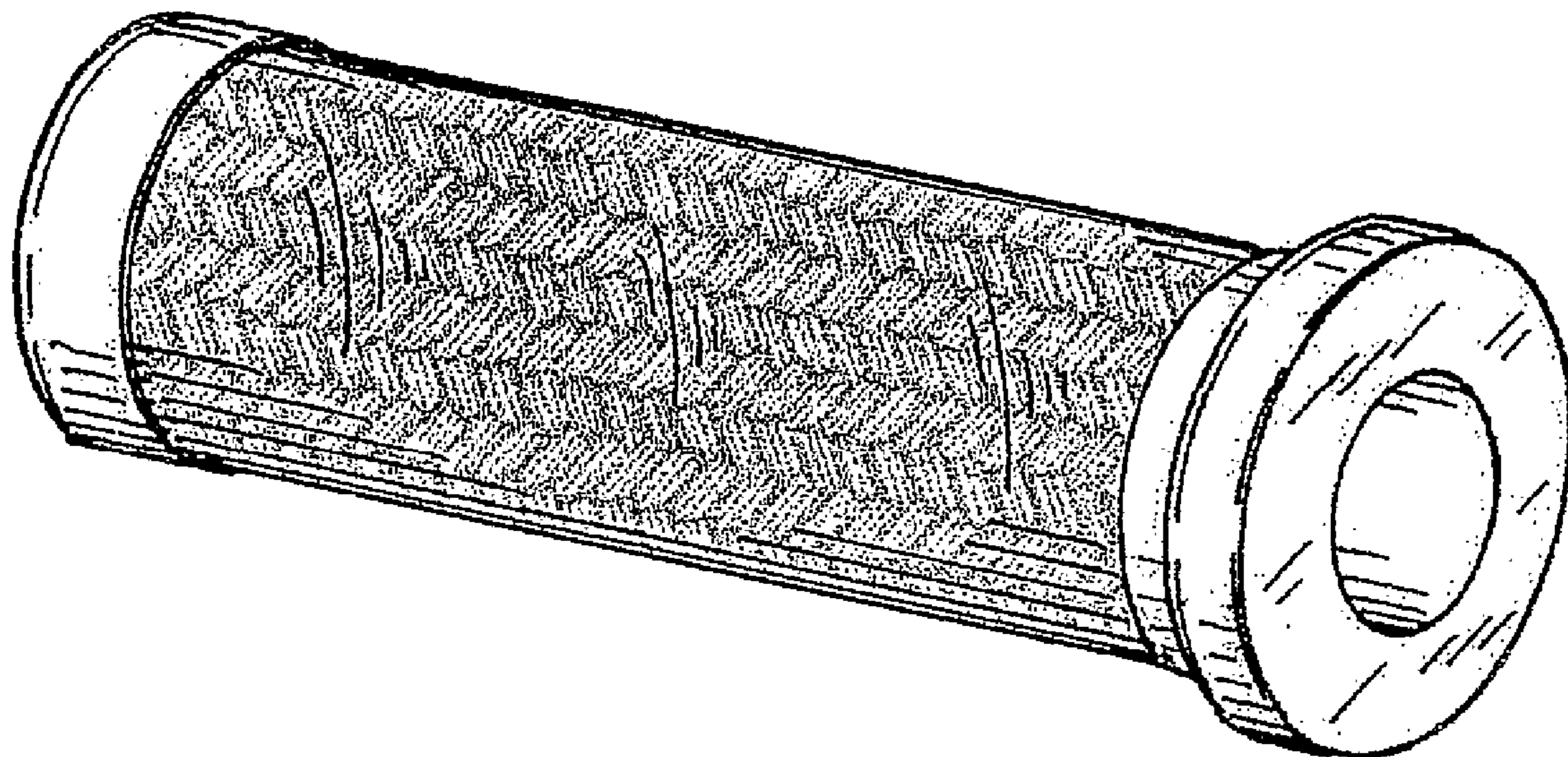
The characteristic feature of the claimed design resides in a handle bar hand grip having a braided surface pattern beneath a transparent sleeve.

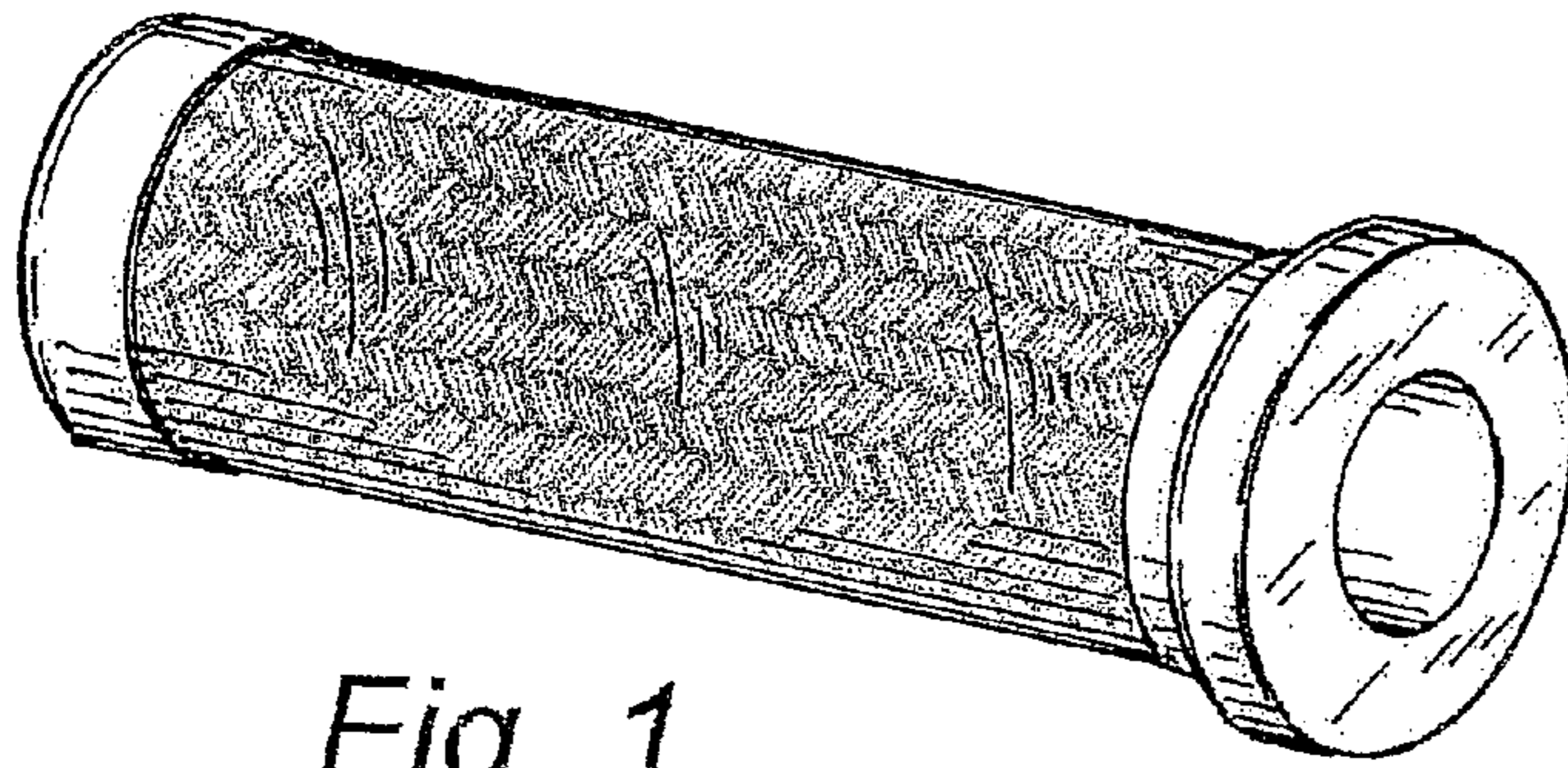
(56) **References Cited**

U.S. PATENT DOCUMENTS

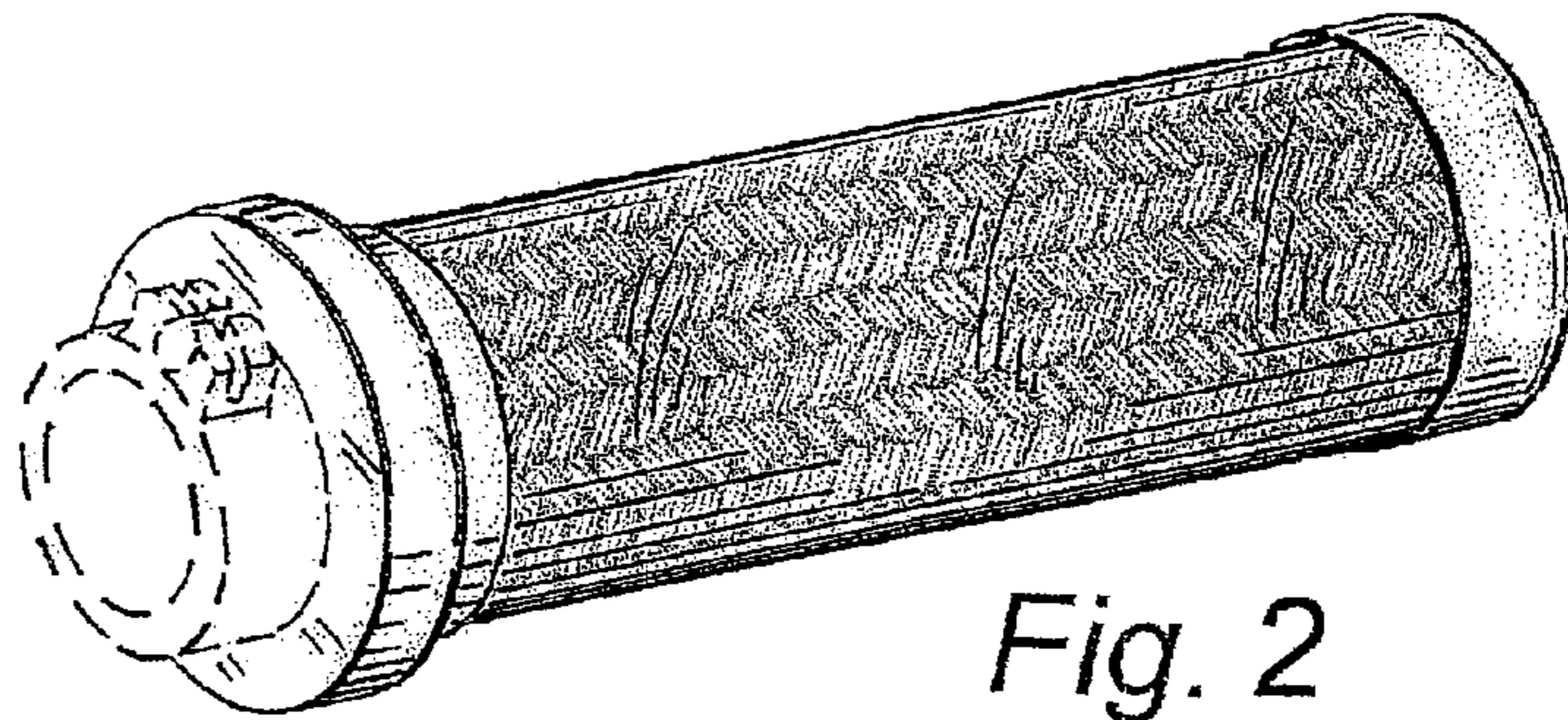
D110,307 S *	6/1938	Brenner	.....	D5/47
D130,543 S *	11/1941	Weinberg	.....	D5/47
D132,884 S *	6/1942	Abt	.....	D5/47
D190,708 S *	6/1961	Diver, Jr.	.....	D5/53
D203,618 S *	2/1966	Seifart et al.	.....	D2/984
3,655,501 A *	4/1972	Tesch	.....	428/136
D269,408 S *	6/1983	Merritt	.....	D8/303
D269,850 S *	7/1983	Preisler et al.	.....	D8/303
5,125,286 A *	6/1992	Wilson	.....	74/551.9
D335,437 S *	5/1993	Wilson	.....	D8/303
D352,442 S *	11/1994	Lee-Chang	.....	D8/303

**1 Claim, 2 Drawing Sheets**

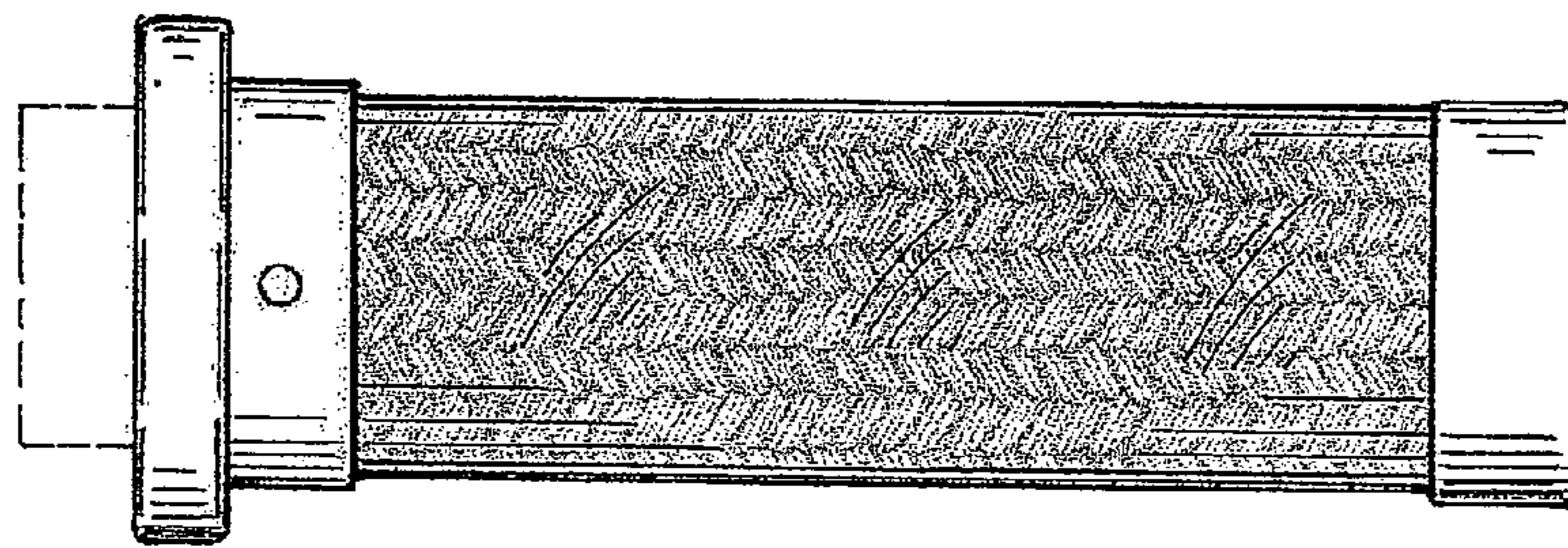




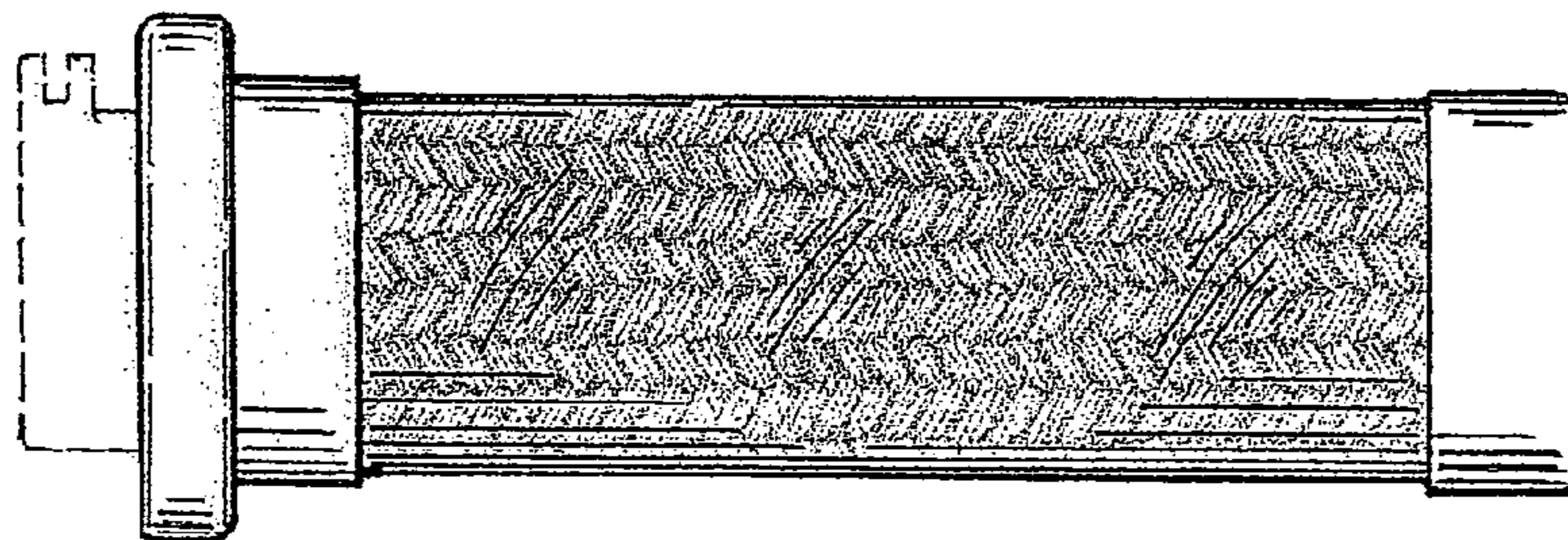
*Fig. 1*



*Fig. 2*

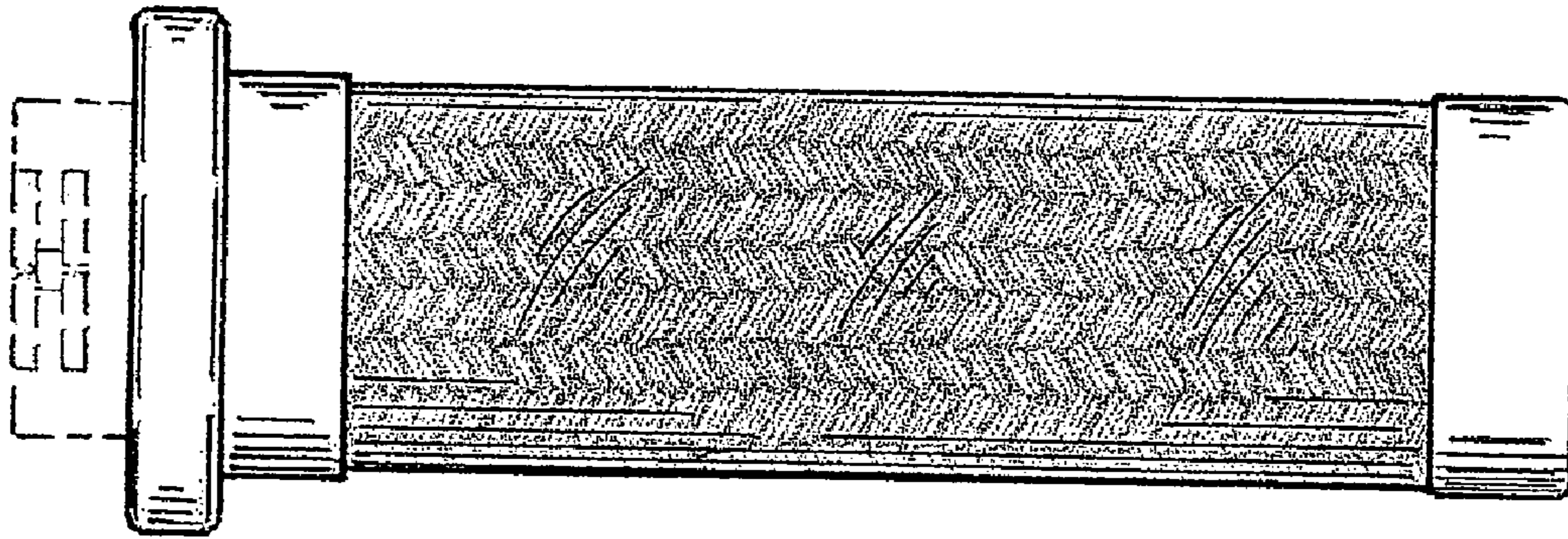


*Fig. 3*

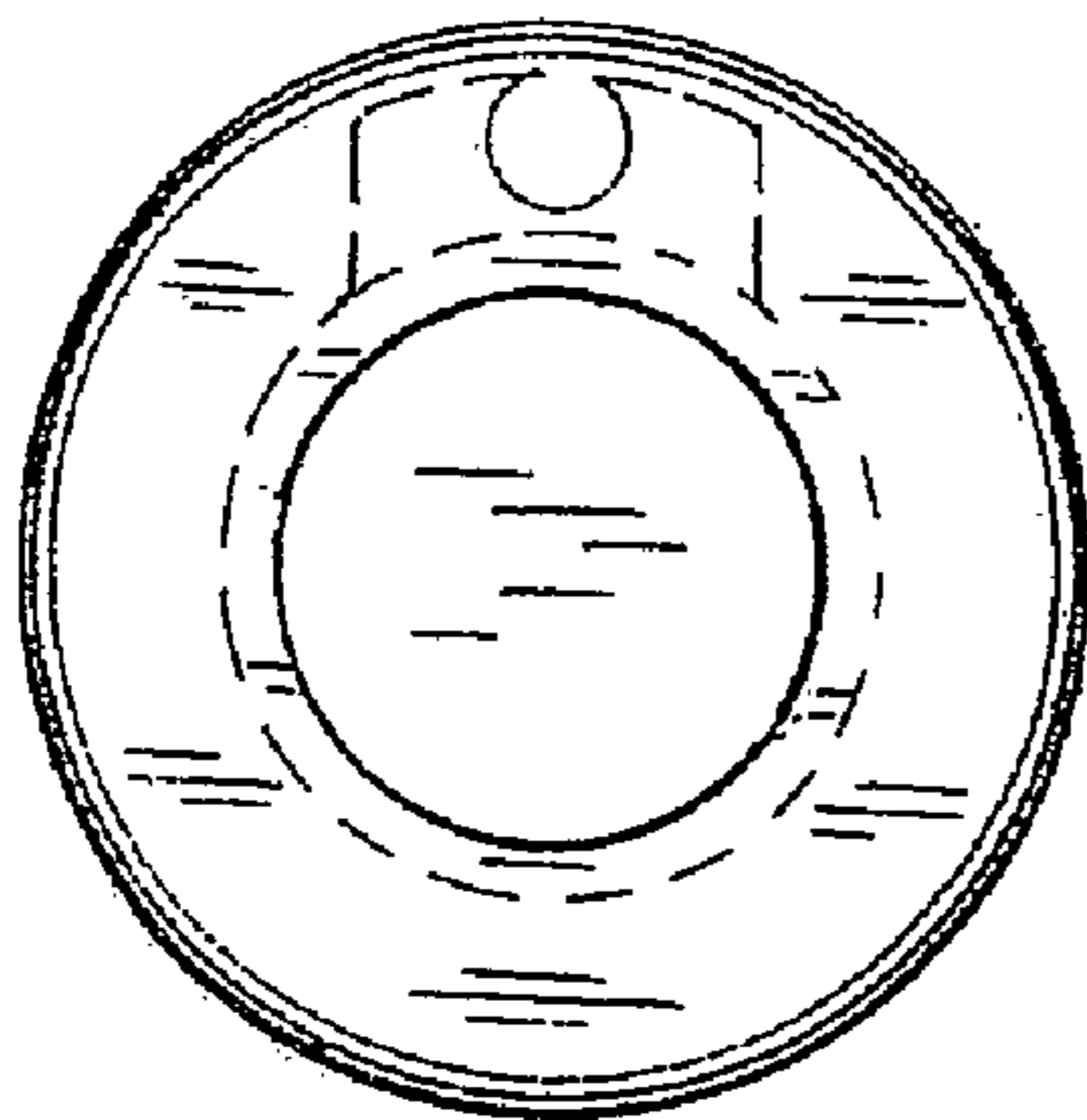


*Fig. 4*

*Fig. 5*



*Fig. 6*



*Fig. 7*

