



US00D596475S

(12) **United States Design Patent**
Saunders

(10) **Patent No.:** **US D596,475 S**
(45) **Date of Patent:** **** Jul. 21, 2009**

(54) **SIDE RABBIT PLANE**
(75) Inventor: **Terry R. Saunders**, North Gower (CA)
(73) Assignee: **Lee Valley Tools, Ltd.**, Ottawa, ON (CA)
(**) Term: **14 Years**
(21) Appl. No.: **29/301,877**
(22) Filed: **Mar. 19, 2008**

749,827 A 1/1904 Sjolander
(Continued)

FOREIGN PATENT DOCUMENTS

CA 554421 3/1958
(Continued)

OTHER PUBLICATIONS

“Rabbit Planes and Chisel Planes,” Dieter Schmid-Fine Tools, www.fine-tools.com, Jul. 3, 2004.

(Continued)

(51) **LOC (9) Cl.** **08-03**
(52) **U.S. Cl.** **D8/101**
(58) **Field of Classification Search** D8/98,
D8/101; 30/478, 481, 487, 488, 489, 492,
30/491, 169

Primary Examiner—Philip S Hyder
(74) *Attorney, Agent, or Firm*—Kilpatrick Stockton LLP;
John S. Pratt; Camilla C. Williams

See application file for complete search history.

(57) **CLAIM**

The ornamental design for side rabbit plane, as shown and described.

(56) **References Cited**

U.S. PATENT DOCUMENTS

13,381 A	8/1855	Bailey
81,879 A	9/1868	Comp
87,833 A	12/1869	Tanner et al.
99,275 A	1/1870	Tredway
135,341 A	1/1873	Jones
186,281 A	1/1877	Traut
274,600 A	3/1883	Hegglund
296,207 A	4/1884	Mosher et al.
305,603 A	9/1884	Keiser
306,763 A	10/1884	Laskey
306,877 A	10/1884	Traut
308,332 A	11/1884	Traut
315,014 A	4/1885	Duncan et al.
323,804 A	8/1885	Gage
368,003 A	8/1887	Polhemus
533,329 A	1/1895	Traut
545,732 A	9/1895	Schade
556,835 A	3/1896	Smith
636,830 A	11/1899	Miller
744,411 A	11/1903	Sarasin

DESCRIPTION

FIG. 1 is a perspective view of a first embodiment of the side rabbit plane of this invention.

FIG. 2 is a top plan view of the design for the side rabbit plane shown in FIG. 1.

FIG. 3 is a bottom plan view of the design for the side rabbit plane shown in FIG. 1.

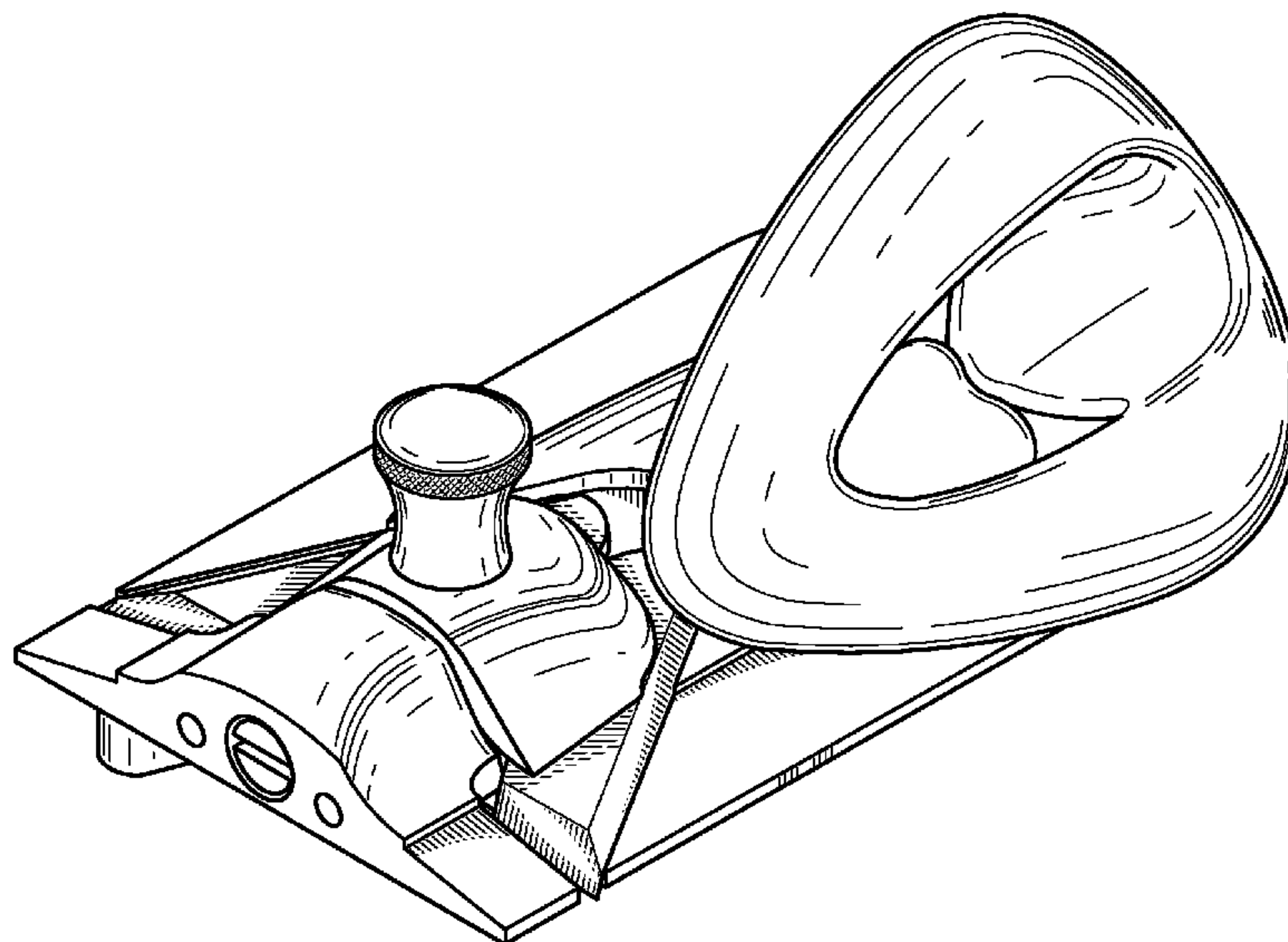
FIG. 4 is an elevation view of the working end of the design for the side rabbit plane shown in FIG. 1.

FIG. 5 is an elevation view of the other end of the design for the side rabbit plane shown in FIG. 1.

FIG. 6 is a right side elevation view of the design for the side rabbit plane shown in FIG. 1; and,

FIG. 7 is a left side elevation view of the design for the side rabbit plane shown in FIG. 1.

1 Claim, 4 Drawing Sheets



U.S. PATENT DOCUMENTS

779,392	A	1/1905	Bjordal	
781,771	A	2/1905	Gardner	
816,980	A	4/1906	Hunter	
821,525	A	5/1906	Nordquist	
837,978	A	12/1906	Traut	
917,568	A	4/1909	Ekman	
1,090,225	A	3/1914	Page	
1,098,706	A	6/1914	Smith	
1,221,436	A	4/1917	Gaede	
1,264,350	A	4/1918	Unsinger	
1,332,919	A	3/1920	Ritter	
1,399,631	A	12/1921	Lofdahl et al.	
1,417,857	A	5/1922	Pfeiffer	
1,439,207	A	12/1922	Vaughan	
1,440,649	A	1/1923	Tvedt	
1,448,775	A	3/1923	Trump	
1,567,342	A	12/1925	Szako	
1,618,604	A	2/1927	Riggs	
1,645,781	A	10/1927	Szako	
1,722,742	A	7/1929	Gloshen	
1,726,124	A	8/1929	Rodionoff	
1,914,609	A	6/1933	MacAller	
1,929,504	A *	10/1933	Macaller	30/481
D137,230	S *	2/1944	Oxhandler	D8/101
2,347,570	A	4/1944	Lavietes	
2,371,946	A	3/1945	Benn	
D141,110	S	5/1945	Doniger	
D159,339	S	7/1950	Huxtable	
2,550,766	A	5/1951	Bryant	
2,565,193	A	8/1951	Aubin	
2,568,665	A	9/1951	Shaler	
2,645,259	A	7/1953	Ackland	
2,648,363	A	8/1953	Weber	
2,655,721	A	10/1953	Einhorn	
2,682,699	A	7/1954	Merrill	
2,693,029	A	11/1954	Kass	
2,839,109	A	6/1958	Wilson et al.	
3,028,892	A	4/1962	Filia	
3,523,348	A	8/1970	Nilsson	
3,710,467	A	1/1973	Coon et al.	
3,763,531	A	10/1973	Dancsik	
3,983,595	A	10/1976	Knudsen et al.	
4,015,649	A *	4/1977	Gilbert	30/487
4,027,388	A	6/1977	Fletcher	
4,088,165	A *	5/1978	Andersson	30/478
D258,261	S	2/1981	Hayes	
D260,728	S	9/1981	Breger	
4,492,260	A	1/1985	Whiteford	
D277,641	S	2/1985	Hayes et al.	
4,498,513	A	2/1985	Derivaz	
D281,857	S *	12/1985	Groves	D8/101
4,589,209	A	5/1986	Zarges et al.	
5,459,928	A	10/1995	Lynn et al.	
5,694,696	A *	12/1997	Lee et al.	30/488
5,940,970	A	8/1999	D'Ambro et al.	
D435,777	S	1/2001	Jones et al.	
6,167,628	B1	1/2001	Jones et al.	
6,347,456	B1	2/2002	Jones et al.	
6,615,497	B1 *	9/2003	Saunders et al.	30/488
D481,288	S *	10/2003	Saunders	D8/101
6,708,412	B2	3/2004	Saunders et al.	
7,117,602	B2	10/2006	Saunders et al.	
D563,190	S *	3/2008	Lee et al.	D8/101
7,444,750	B2	11/2008	Saunders	
2003/0037446	A1	2/2003	Saunders et al.	
2004/0068878	A1	4/2004	Lin	
2004/0074098	A1	4/2004	Schwarz et al.	
2005/0061398	A1	3/2005	Saunders	
2005/0188553	A1	9/2005	Lee et al.	

2005/0229409 A1 10/2005 Lee et al.

FOREIGN PATENT DOCUMENTS

DE	0046033	12/1887
DE	20215203 U1	11/2002
GB	2280868 A	2/1995
GB	2391828	4/2005
SE	149704	12/1951
SE	134377	1/1952

OTHER PUBLICATIONS

The Superior Works—Stanley Blood & Gore: Planes #90-#100, #98 Side Rabbet Plane and #99 Side Rabbet Plane, <http://www.supertool.com/StanleyBG/stan11.htm>, printed Feb. 2, 2009.

Highland Hardware Catalog titled Woodworking Tools, Books & Supplies Fall 91/Winter 92 Catalog, p. 83, item numbered “T”.

Highland Hardware Catalog titled Woodworking Tools, Books and Supplies, Fall 91/Winter 92 Catalog, p. 83, item numbered “U”.

Highland Hardware Catalog titled Woodworking Tools, Books and Supplies, Fall 91/Winter 92 Catalog, p. 83, item numbered “V”.

Shop Solutions, Scraper Holder, ShopNotes, Issue 3, p. 6.

Rear Cover of Lee Valley & Veritas® Catalog, Copyright 1999.

Various Views of Extra Special Bench Plane, 5 pages.

1998/1999 Issue of Lee Valley & Veritas® Catalog, Copyright 1998, p. 26, items H,J,K, and L; p. 27, Items C & H.

Rabbet Planes, Woodcraft Supply Corporation, www.shop.woodcraft.com, printed Jul. 19, 2004.

Stanley Rabbet Planes, Woodcraft Supply Corporation, www.shop.woodcraft.com, printed Jul. 19, 2004.

The Superior Works: Patrick’s Blood and Gore Planes #71-87, <http://www.supertool.com/StanleyBG/stan10.htm>, Jul. 28, 2004.

The Superior Works: Patrick’s Blood and Gore Planes #141-196, #164 Low Angle Plane, May 22, 2007, p. 4, <http://www.supertool.com/StanleyBG/stan13.htm>.

The Superior Works: Patrick’s Blood and Gore Planes #60-70, #62 Low Angle Block Plane, May 22, 2007, p. 3, <http://www.supertool.com/StanleyBG/stan9.htm>.

The Superior Works: Patrick’s Blood and Gore Planes #9-#11-1/2, #9 Cabinetmaker’s block plane, May 22, 2007, pp. 1-2, <http://www.supertool.com/StanleyBG/stan2.htm>.

John Walter, “Antique & Collectible Stanley Tools Guide to Identity and Value,” #112 Cabinet Scraper Plane, The Tool Merchant, Marietta, Ohio (Sep. 1996).

Lee, Leonard, The Complete Guide to Sharpening, A Fine Woodworking Book, pp. 229-233.

Lie-Nielsen Toolworks USA, Bench Rabbet Plane, Apr. 10, 2006, pp. 1-3, <http://www.lienielsen.com/catalog.php?prp=1219>.

Online ToolReviews.com—Lee Valley/Veritas Low Angle Smoothing Plane—Detailed Review, The Stanley #164, May 22, 2007, p. 2, <http://www.onlinetoolreviews.com/reviews/veritaslowanglesmoother.htm>.

Picture of Stanley 112 Cabinet Scraper Plane—<http://www.goantiques.com/scripts/images/id,823461.html>.

Record No. 073, Jan. 23, 2005, <http://www.theoldtoolshop.fsnet.co.uk/mainpics/SR053.jpg>.

Record # 073 Rabbet Plane N/R, Jan. 23, 2005, p. 4, <http://cgi.ebay.com/ws/eBayISAPI.dll?ViewItem&item=6148715131&category=13874>.

Record No. 073, Jan. 23, 2005, <http://home.pacbell.net/dprice1/plane5.jpg>.

Record No. 073, Jan. 23, 2005, <http://www.hansbrunnertools.gil.com.au/images/MetalPlanes/Record073.JPG>.

“Stanley 79 Front, Iron Side Rabbet Planes 1860-1938,” www.antiquetools.com/perm-col/west-wing/big_66.html.

Stanley 79 Rear, Iron Side Rabbet Planes 1860-1938, www.antiquetools.com/perm-col/west-wing/big_67.html.

Stanley 98 RH, Iron Side Rabbet Planes 1860-1938, www.antiquetools.com/perm-col/west-wing/big_20.html.

Lie-Nielsen Side Rabbet Plane Set, <http://www.woodcraft.com/family.aspx?FamilyID=3646>, printed Mar. 13, 2008.

* cited by examiner

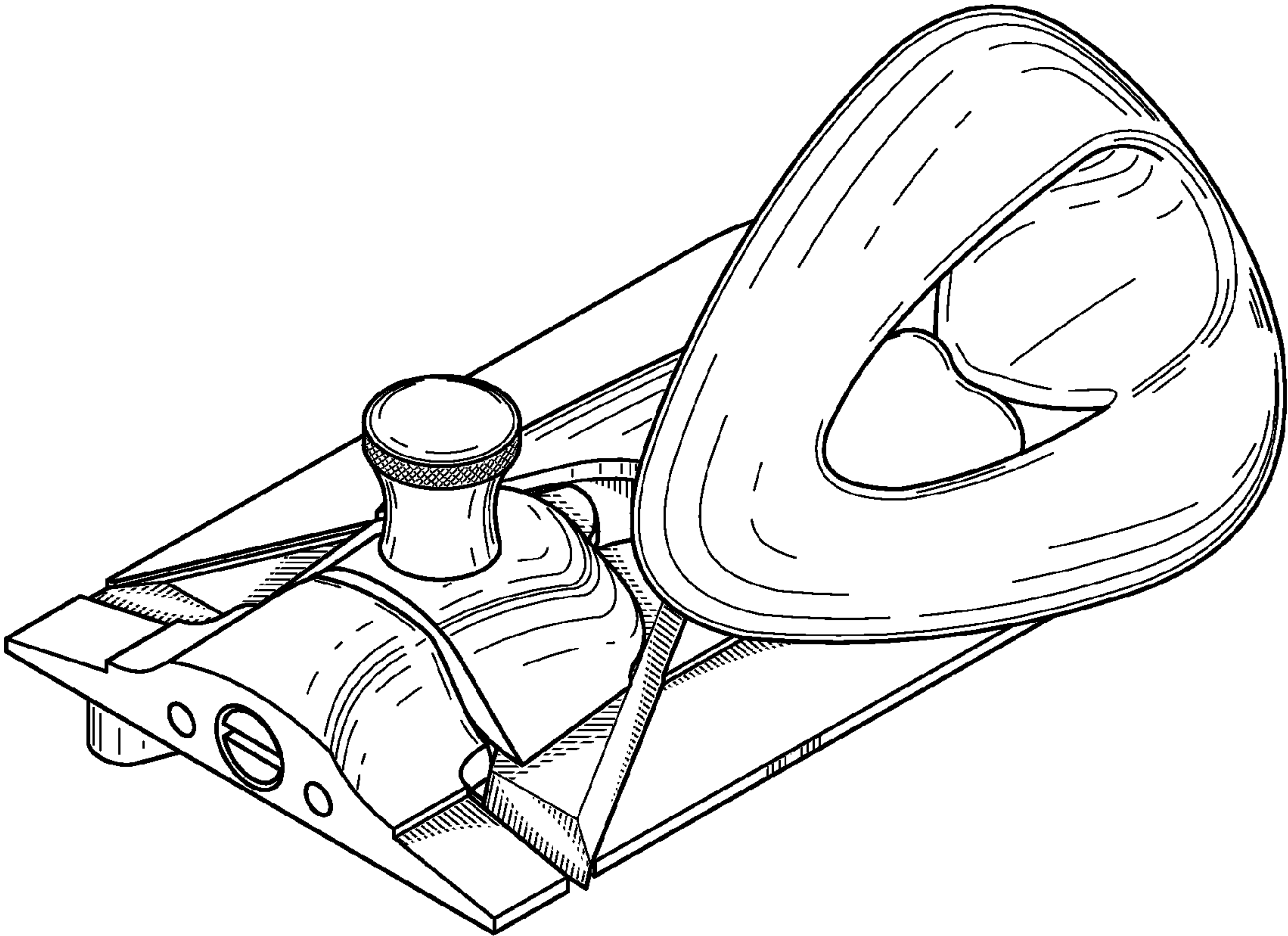


Fig. 1

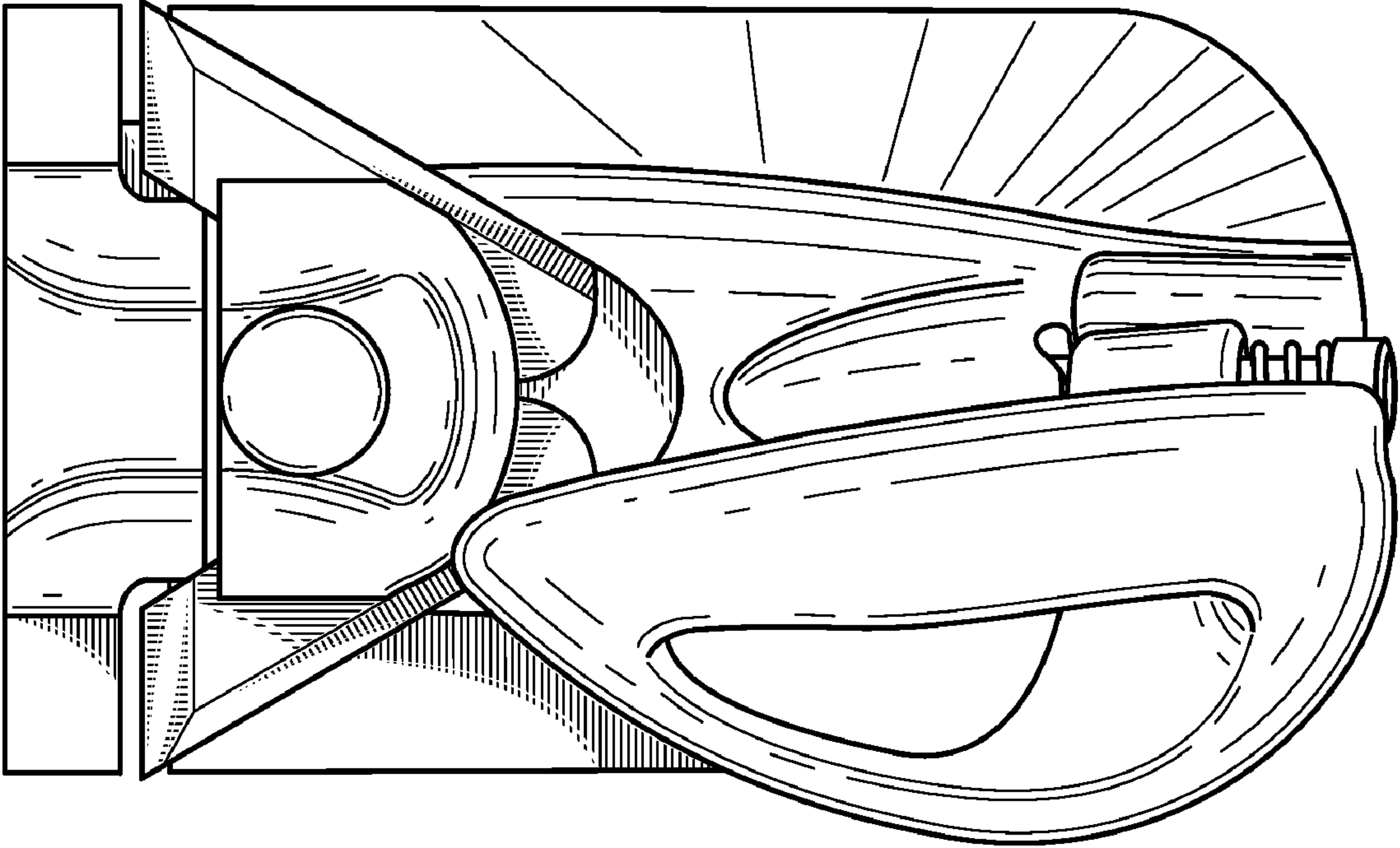


Fig. 2

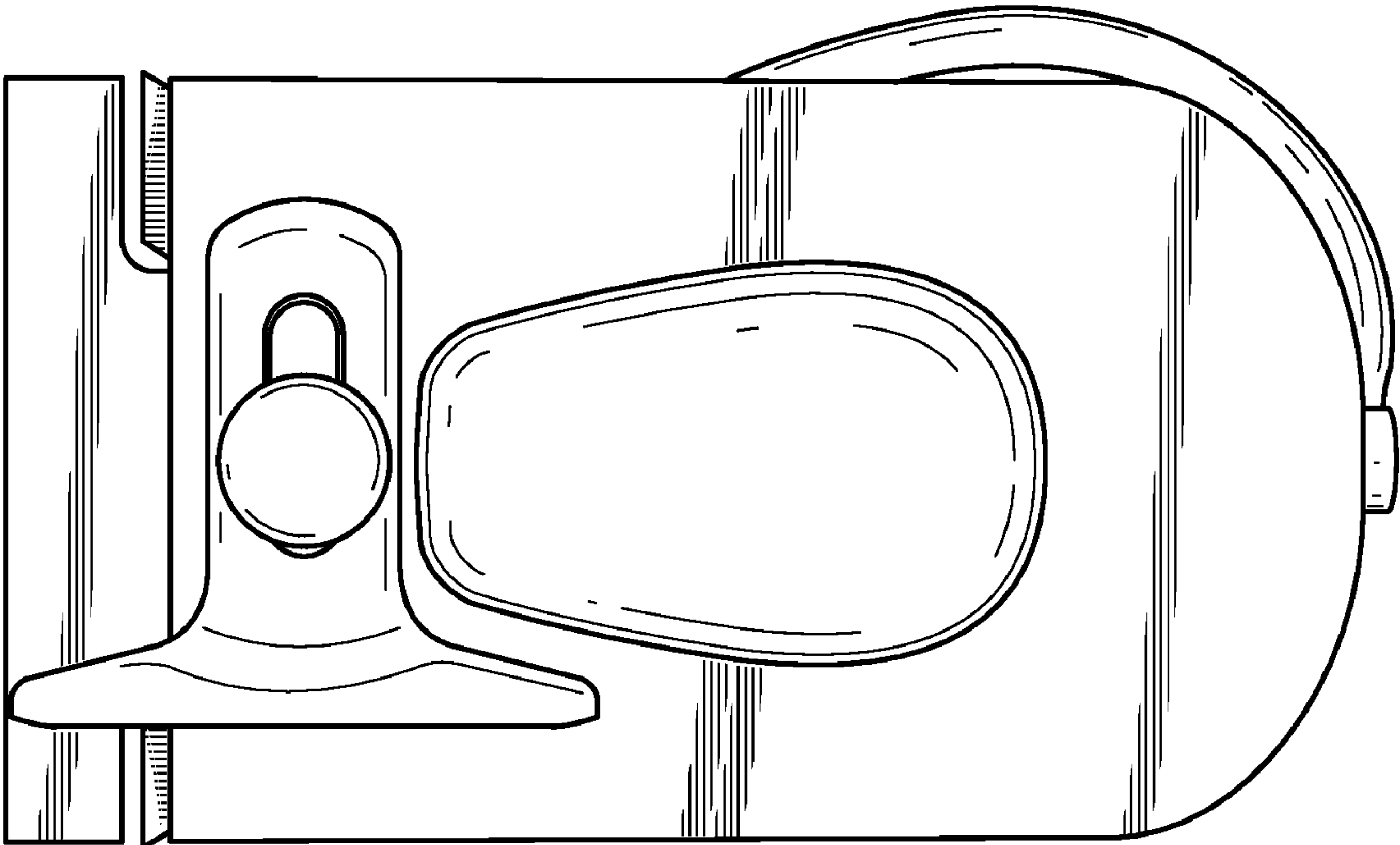


Fig. 3

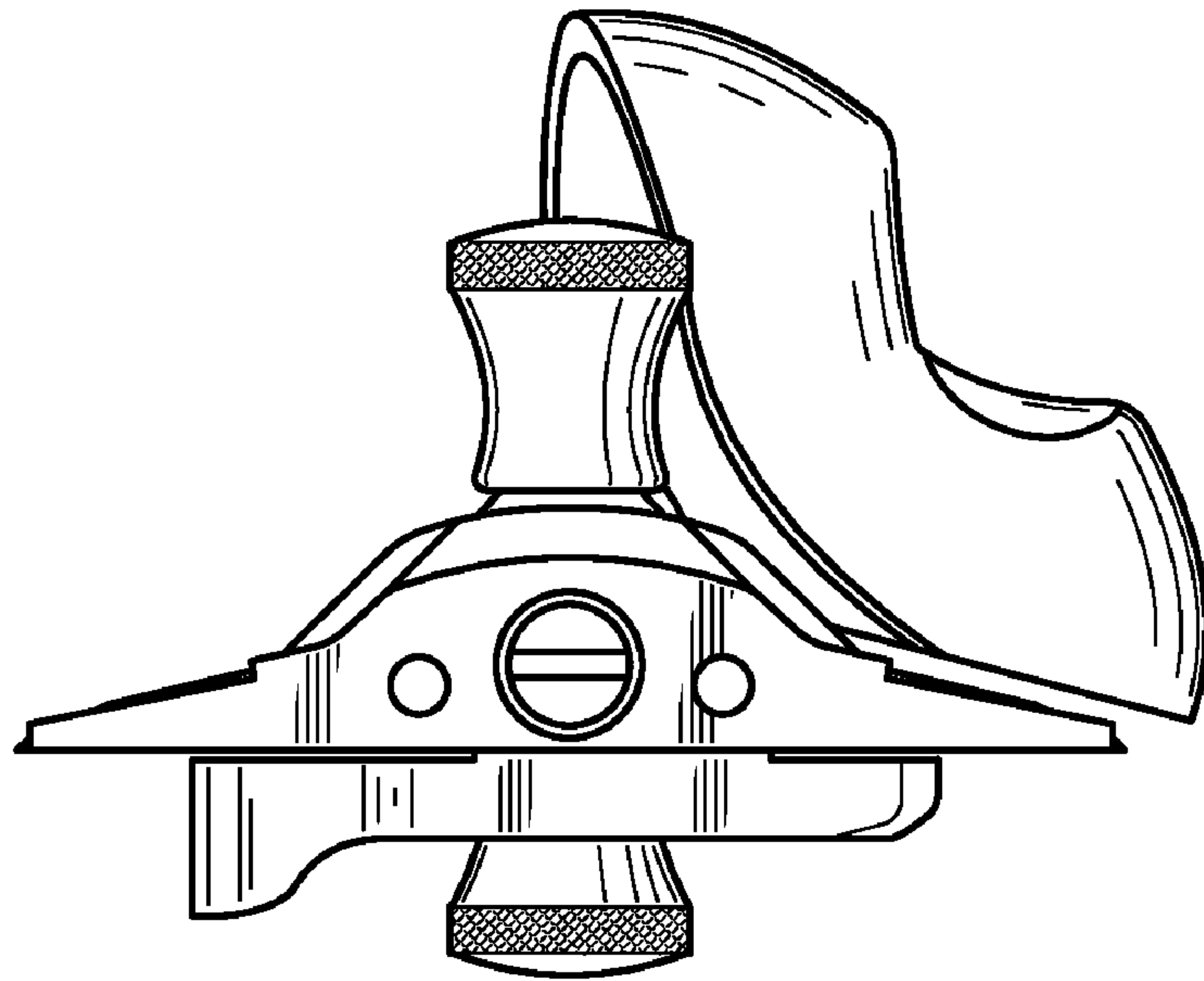


Fig. 4

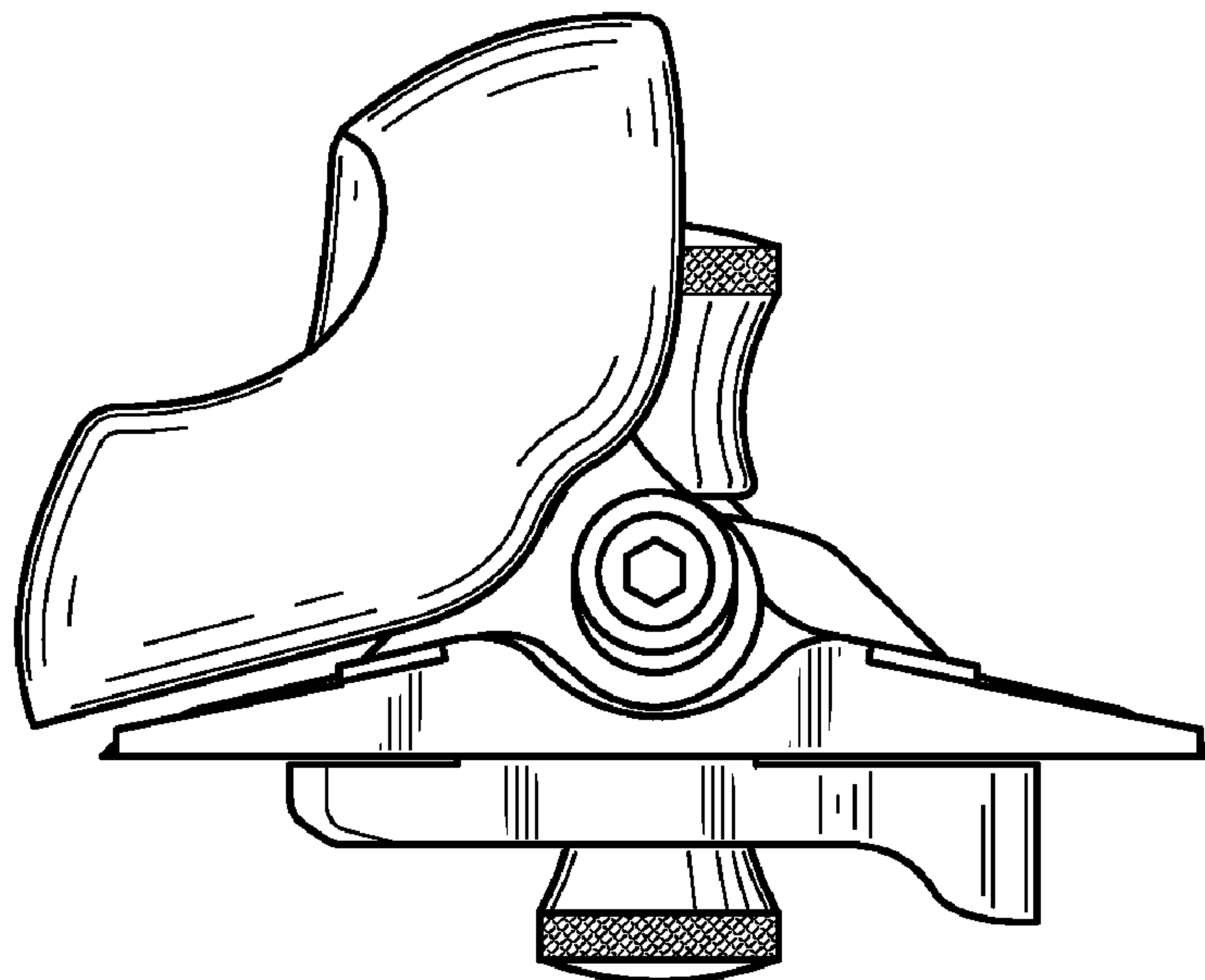


Fig. 5

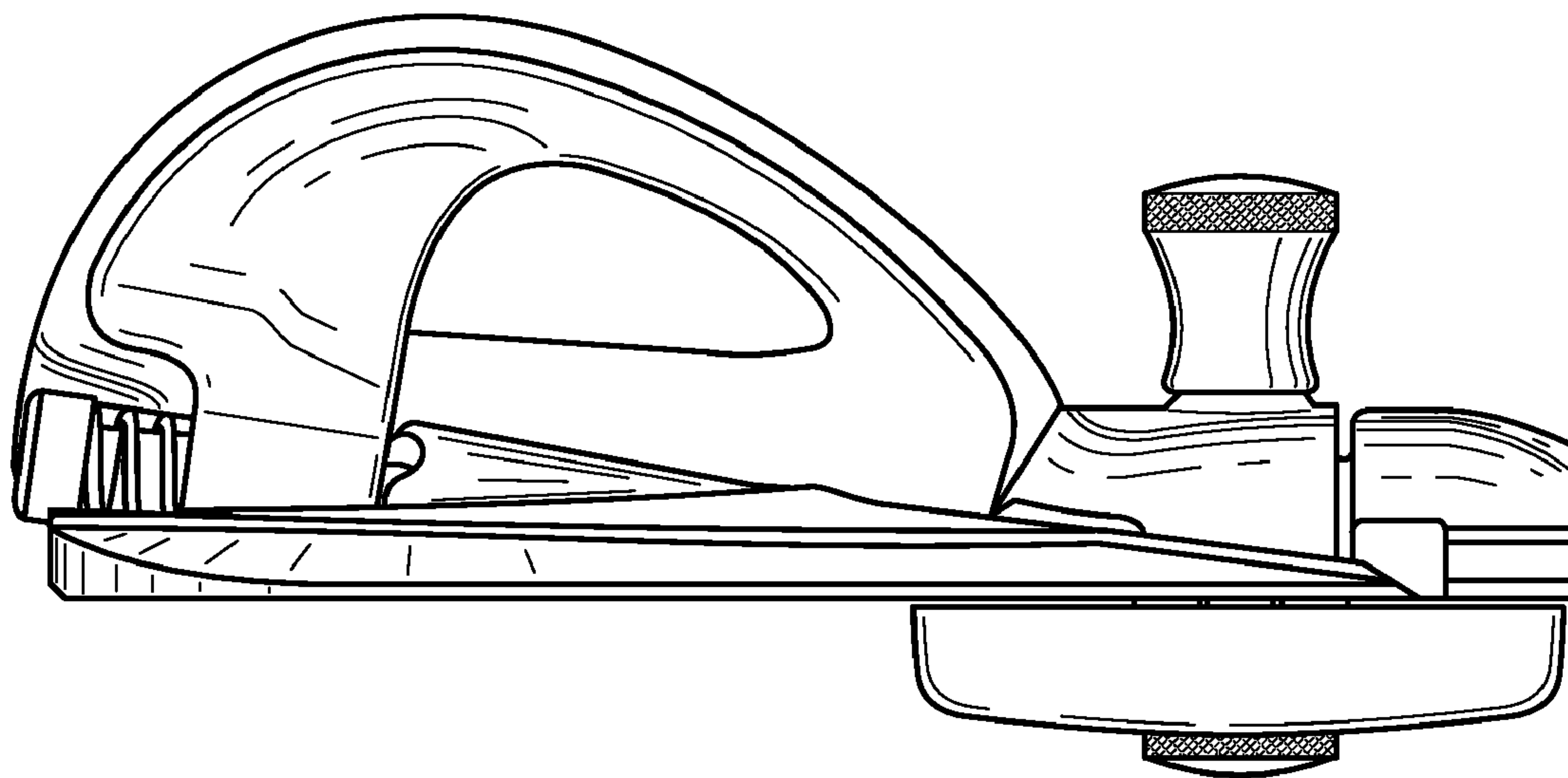


Fig. 6

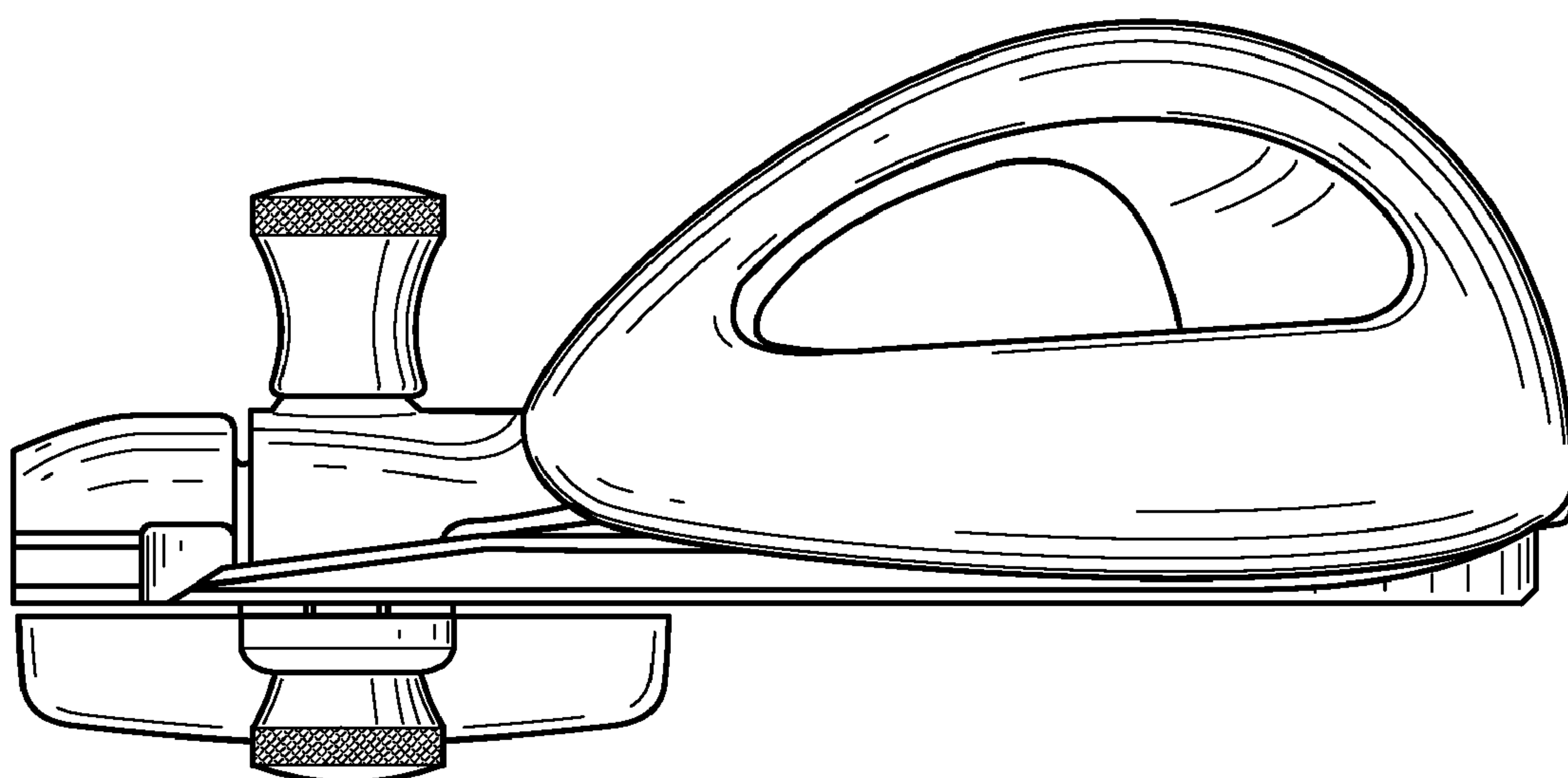


Fig. 7