



US00D596473S

(12) **United States Design Patent**
McKenzie

(10) **Patent No.:** **US D596,473 S**

(45) **Date of Patent:** **** Jul. 21, 2009**

(54) **SCREWDRIVER**

(76) Inventor: **Paul Donald McKenzie**, 8383 Manitoba St., Vancouver, BC (CA) V5X 3A9

(**) Term: **14 Years**

(21) Appl. No.: **29/322,746**

(22) Filed: **Aug. 11, 2008**

(51) **LOC (9) Cl.** **08-04**

(52) **U.S. Cl.** **D8/85**

(58) **Field of Classification Search** D8/82,
D8/83, 84, 85, 86, 87, 107; 81/177.4, 436,
81/437, 438, 439, 440, 489, 177.1; 7/165
See application file for complete search history.

(56) **References Cited**

U.S. PATENT DOCUMENTS

4,924,733	A	5/1990	McKenzie	
D363,868	S *	11/1995	Israel et al.	D8/83
6,327,942	B1 *	12/2001	Mariol et al.	81/177.4
D459,186	S *	6/2002	Chang	D8/83
6,443,037	B1 *	9/2002	Chang	81/177.4
D485,482	S *	1/2004	Romanski et al.	D8/83
D535,170	S *	1/2007	Caplan	D8/82
D535,540	S *	1/2007	Caplan	D8/82

OTHER PUBLICATIONS

Picquic Tool Company, Inc. "SIXPAC 6 in 1 Full size Multi" [retrieved on Oct. 7, 2008]. Retrieved from the Internet on Oct. 7, 2008: <http://web.archive.org/web/20050827061912/www.picquic.com/sixpac.html>.

Picquic Tool Company, Inc. "STUBBY 6 in 1 Comact Multi" [retrieved on Oct. 7, 2008]. Retrieved from the Internet on Oct. 7, 2008: <http://web.archive.org/web/20050823004225/www.picquic.com/stubby.html>.

* cited by examiner

Primary Examiner—Philip S Hyder

(74) *Attorney, Agent, or Firm*—Oyen Wiggs Green & Mutala LLP

(57) **CLAIM**

The ornamental design for a screwdriver, as shown and described.

DESCRIPTION

FIG. 1 is a top right perspective view of the design;

FIG. 2 is a front view thereof;

FIG. 3 is a bottom left perspective view thereof;

FIG. 4 is a rear view thereof;

FIG. 5 is a right side view thereof, the left side view being a mirror image thereof;

FIG. 6 is a top view thereof, the bottom view being a mirror image thereof;

FIG. 7 is a top right perspective view of a second embodiment of the design shown in FIG. 1;

FIG. 8 is a front view thereof;

FIG. 9 is a bottom left perspective view thereof;

FIG. 10 is a rear view thereof;

FIG. 11 is a top view thereof, the bottom view being a mirror image thereof;

FIG. 12 is a right side view thereof, the left side view being a mirror image thereof;

FIG. 13 is a top right perspective view of a third embodiment of the design shown in FIG. 1;

FIG. 14 is a front view thereof;

FIG. 15 is a bottom left perspective view thereof;

FIG. 16 is a rear view thereof;

FIG. 17 is a top view thereof, the bottom view being a mirror image thereof; and,

FIG. 18 is a right side view thereof, the left side view being a mirror image thereof.

1 Claim, 9 Drawing Sheets

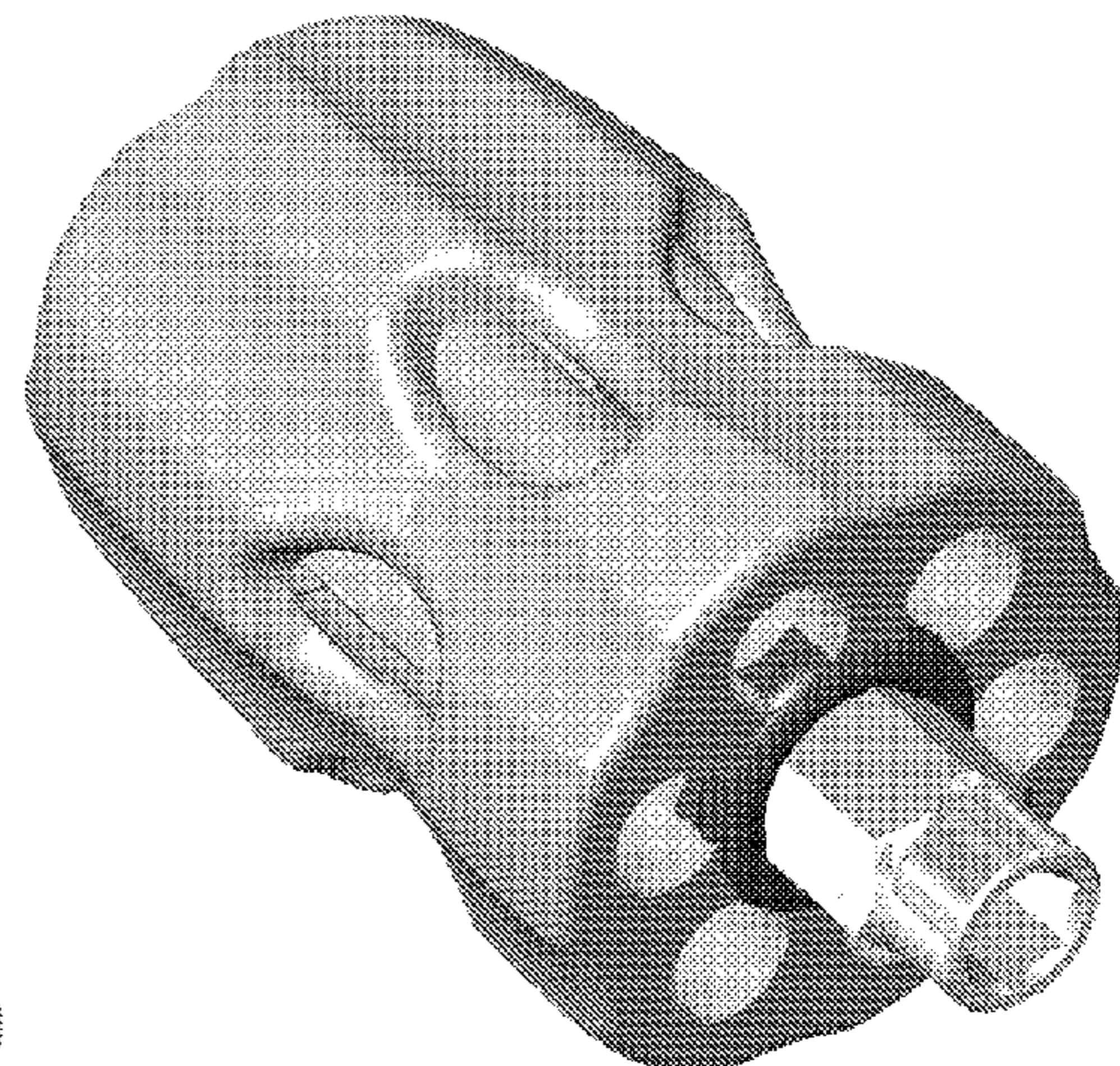
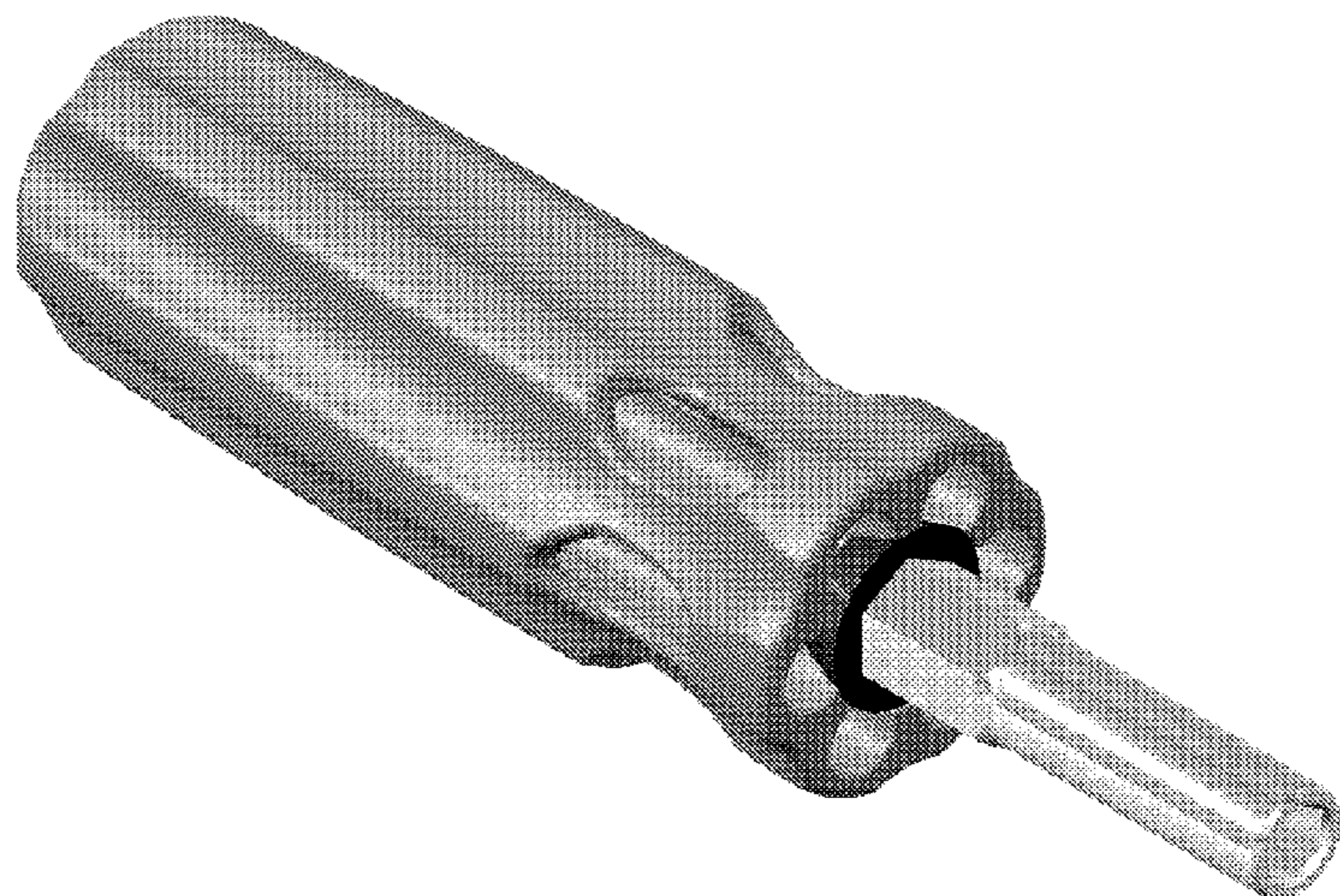


Fig. 1

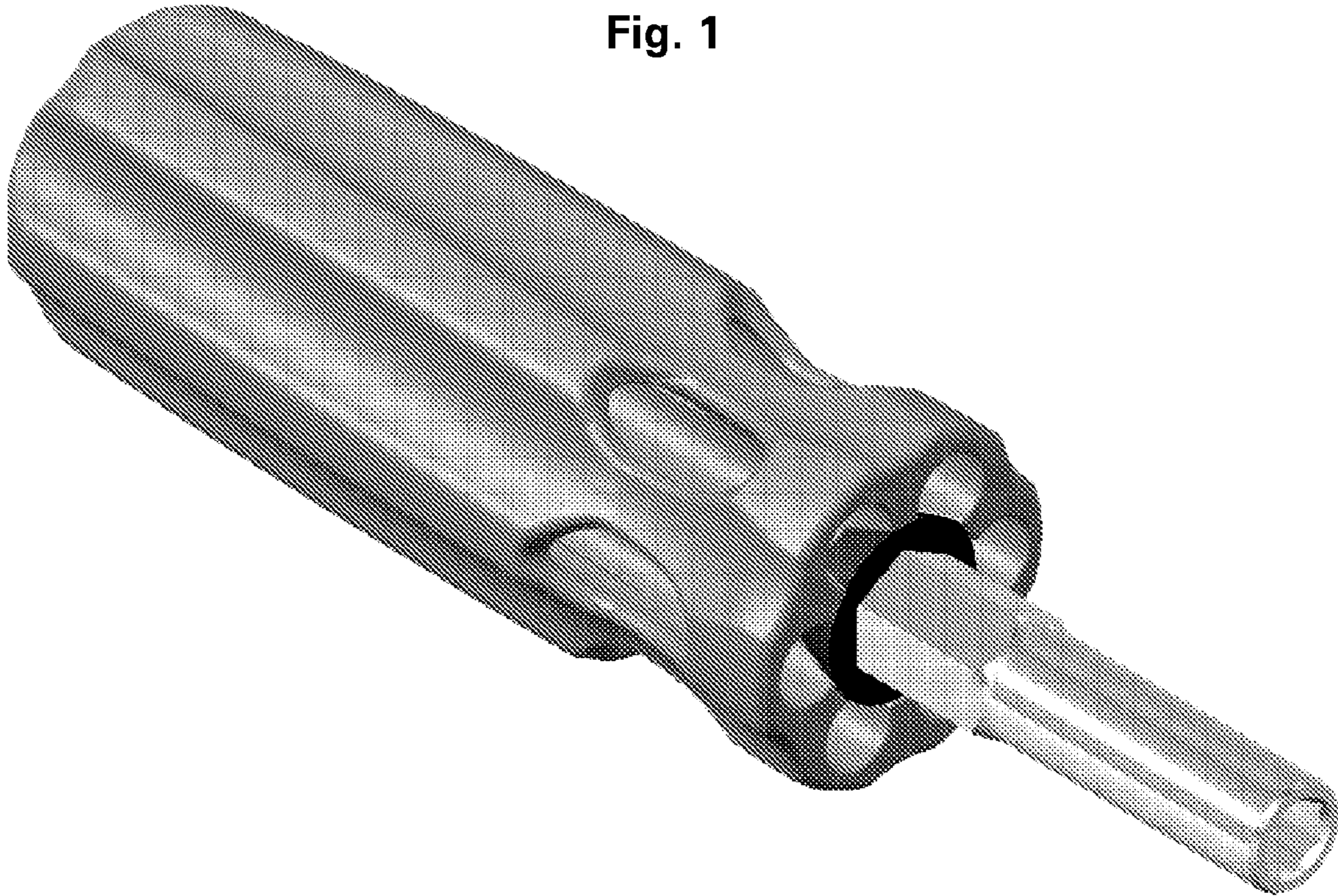


Fig. 2

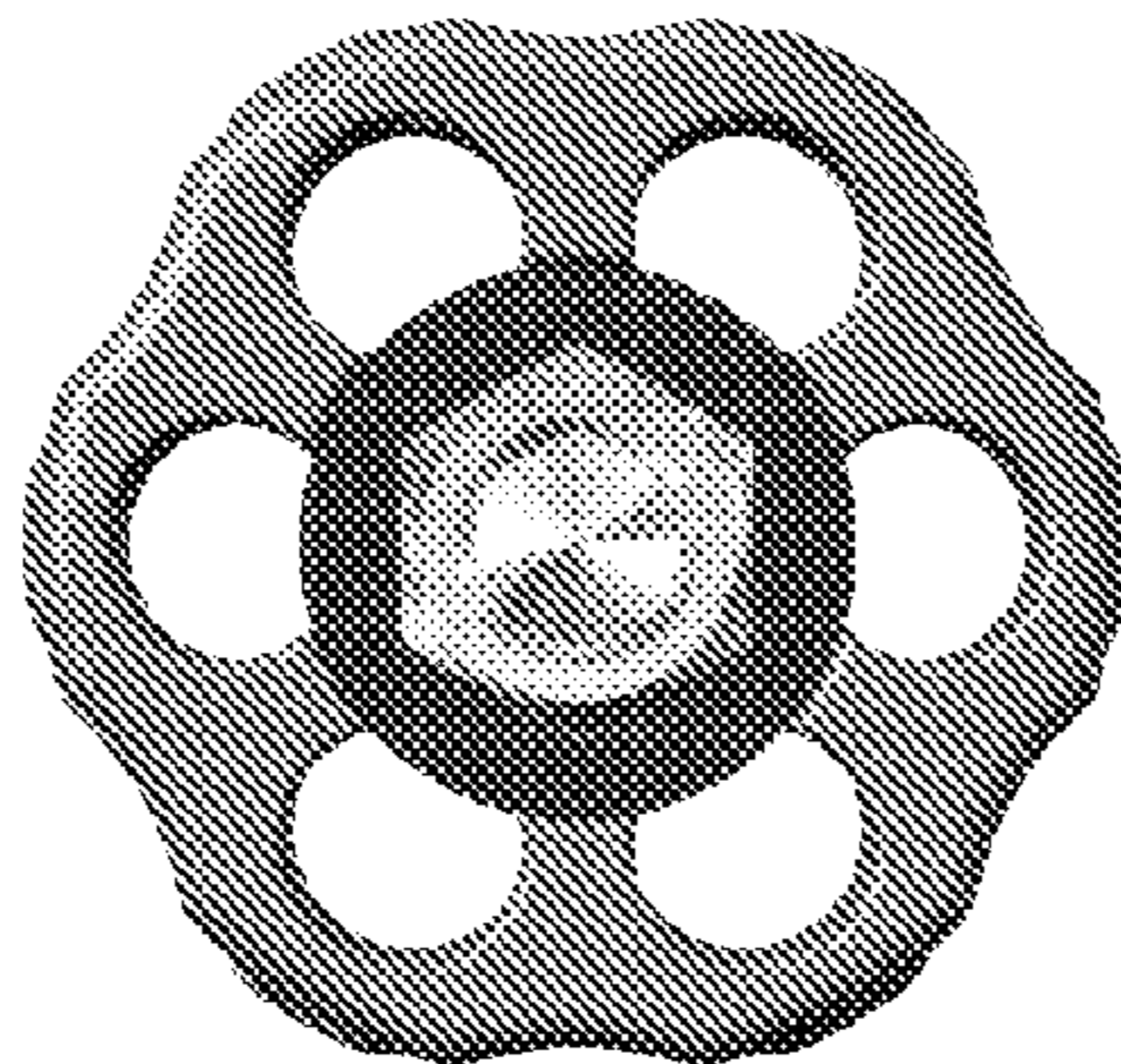


Fig. 3

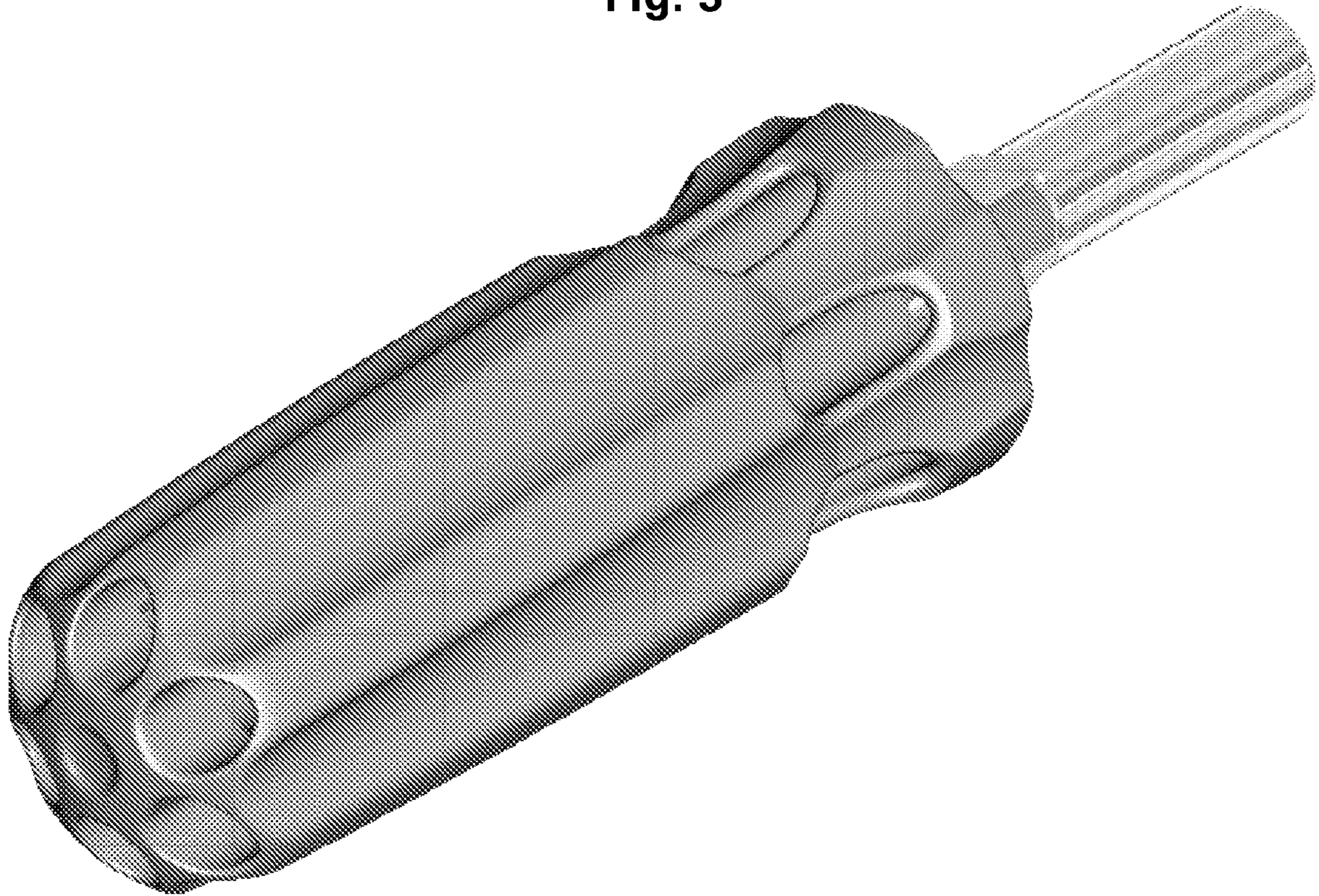


Fig. 4

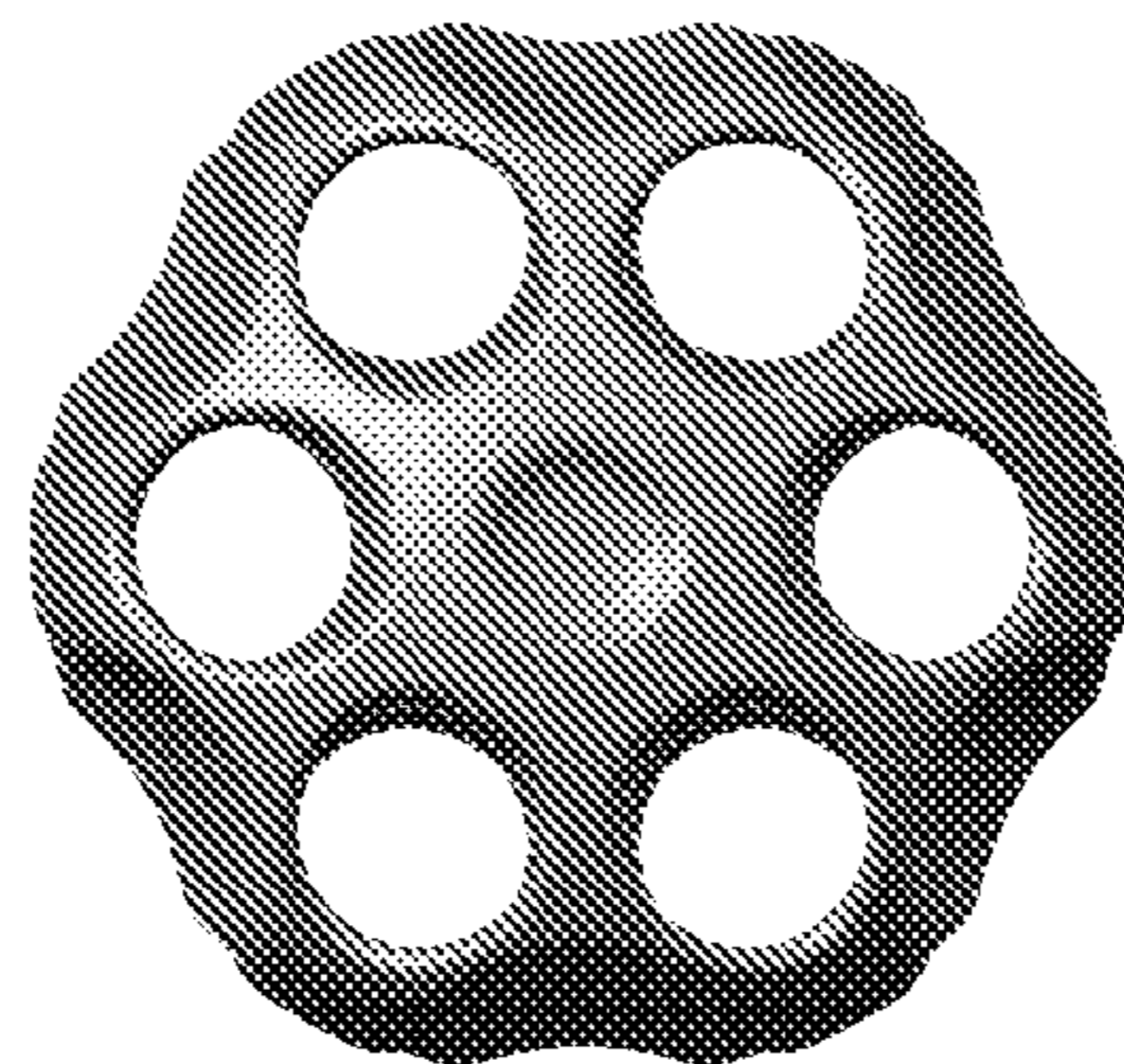


Fig. 5

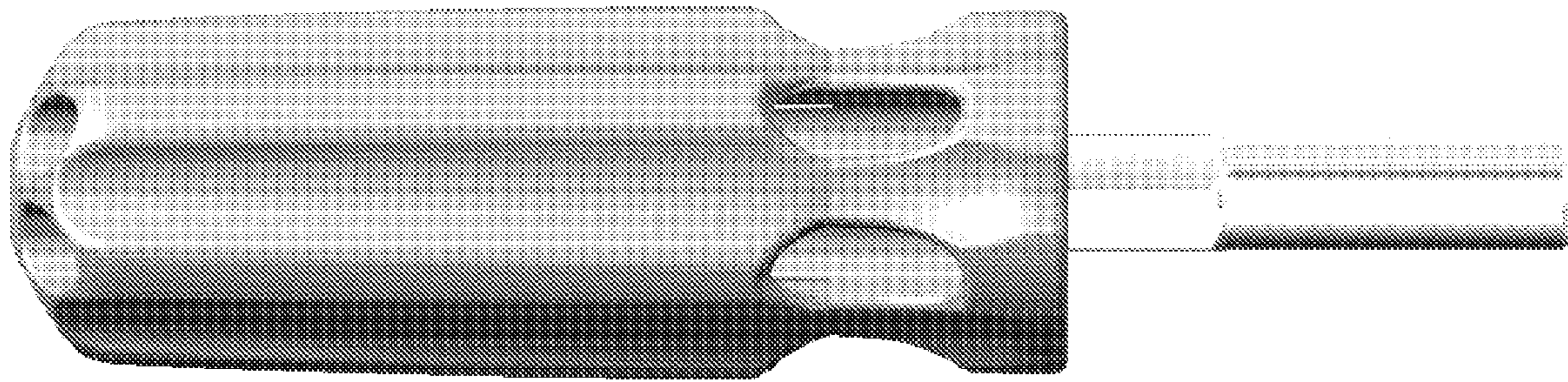


Fig. 6

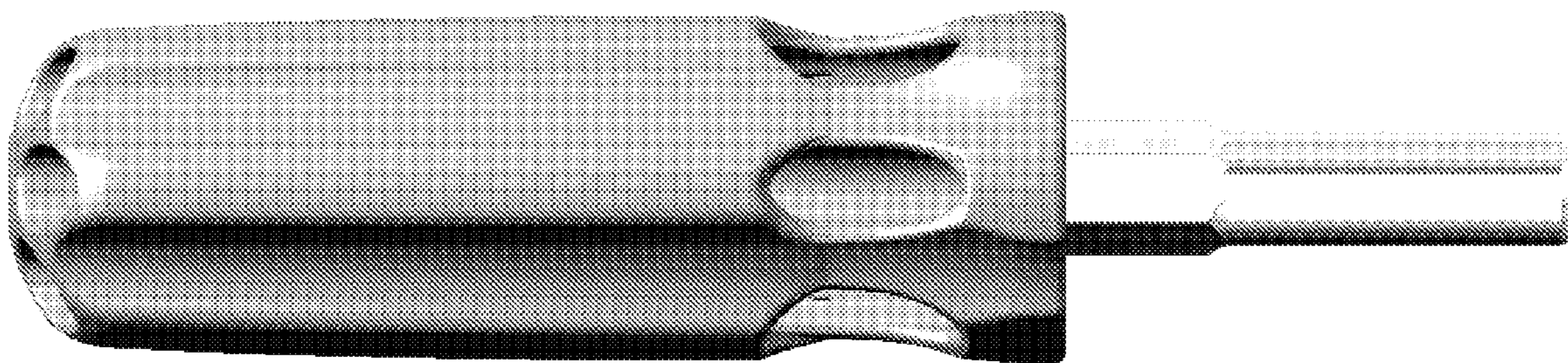


Fig. 7

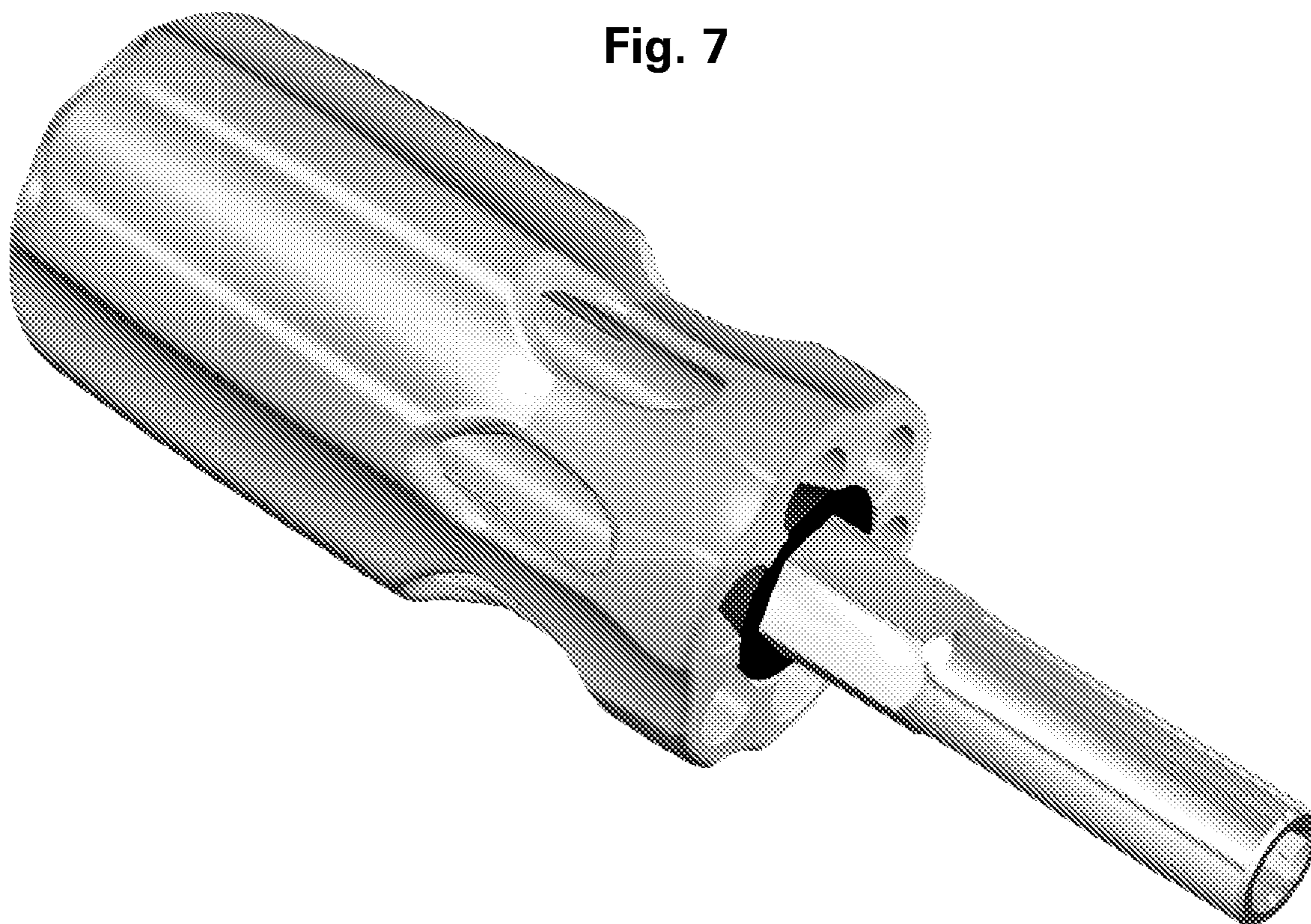


Fig. 8

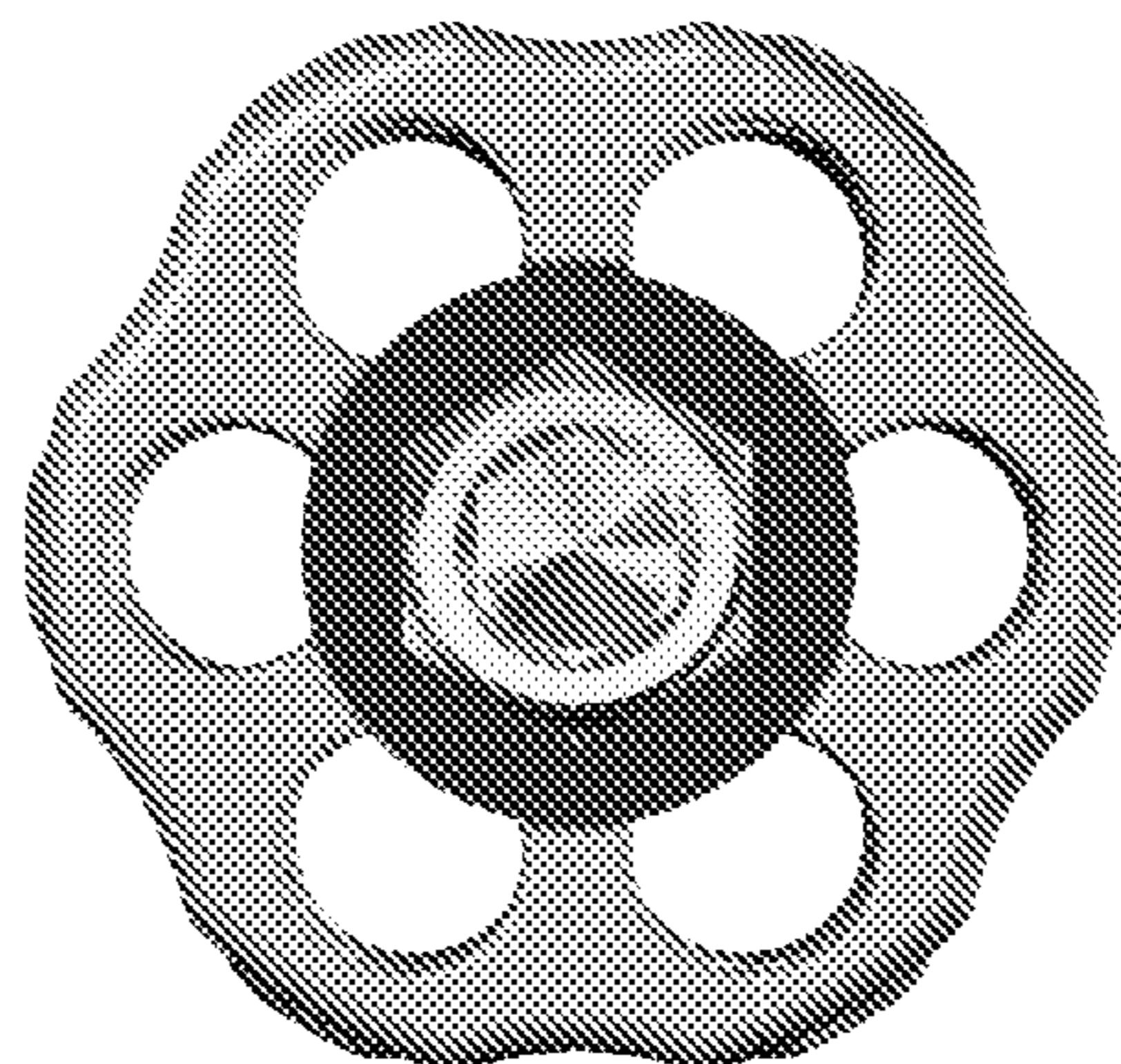


Fig. 9

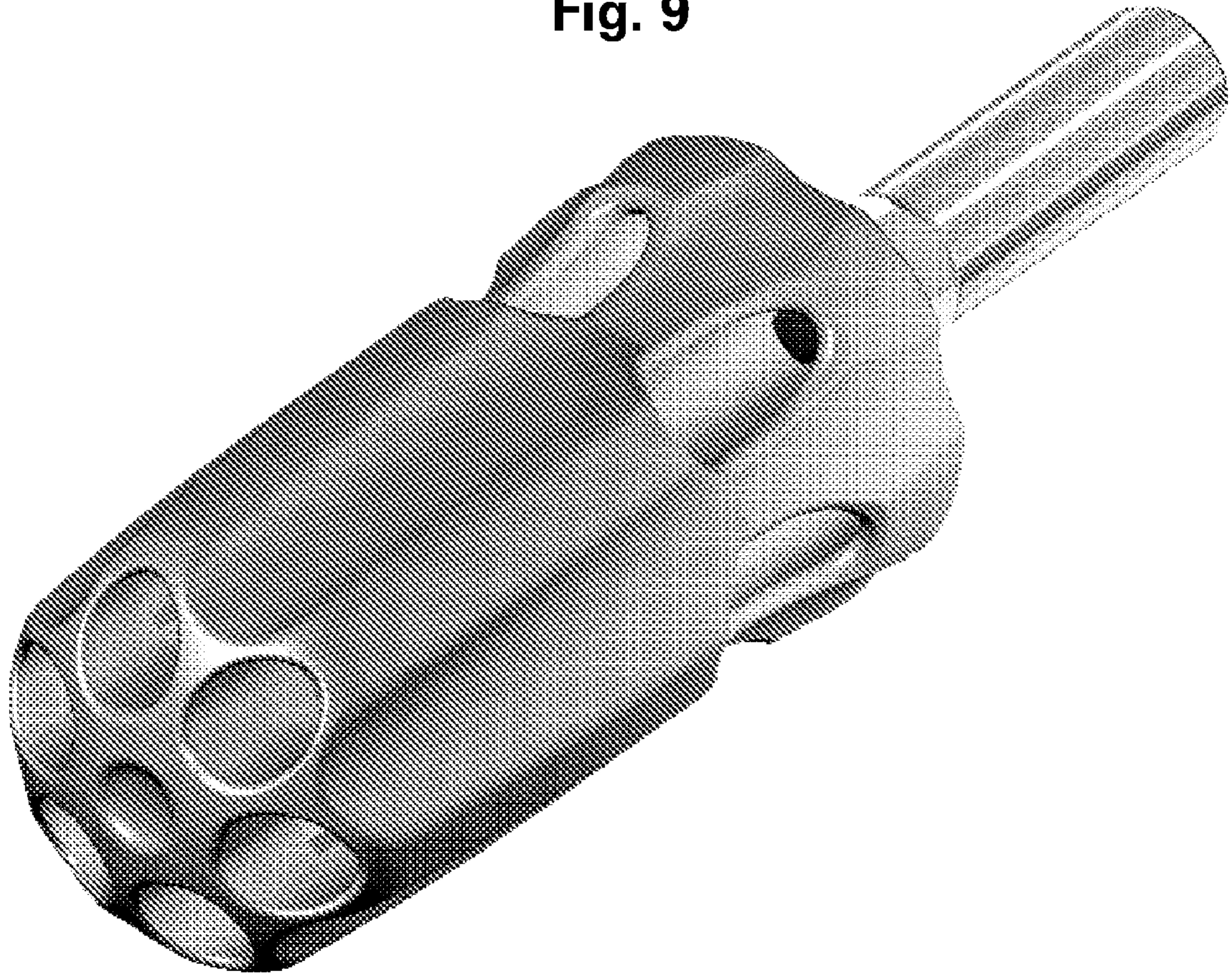


Fig. 10

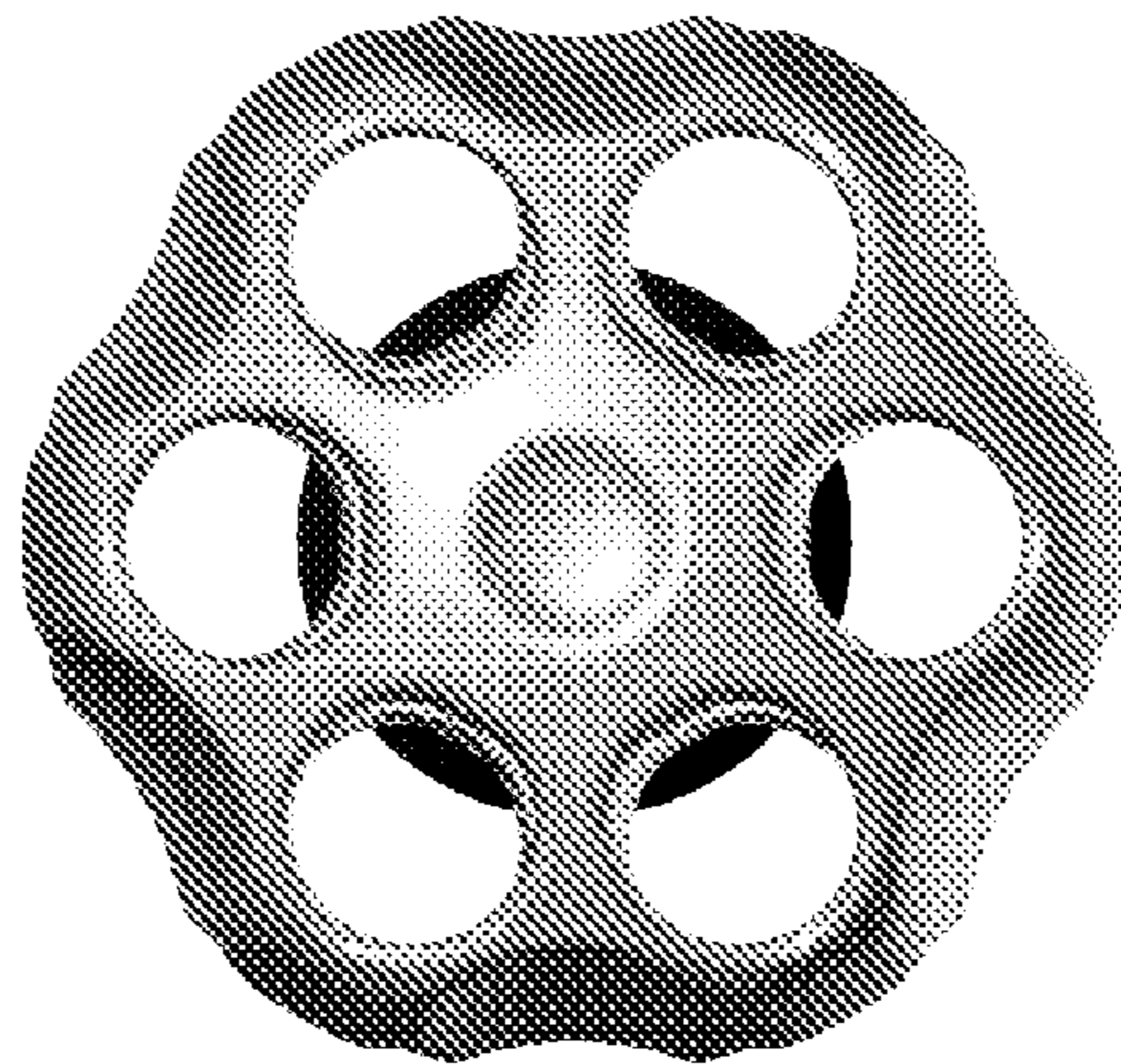


Fig. 11

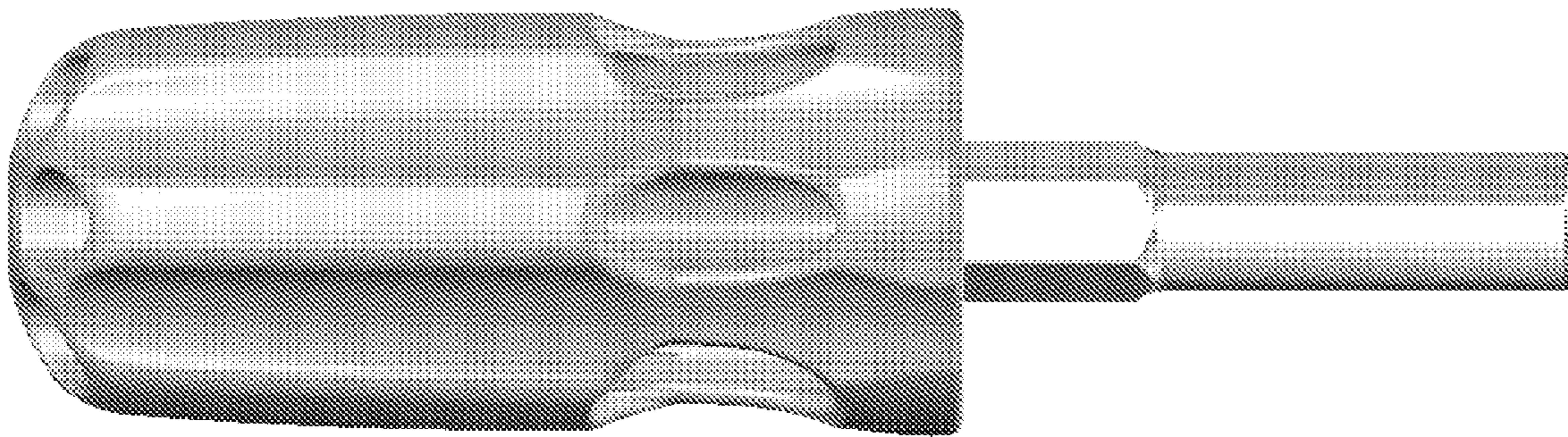


Fig. 12

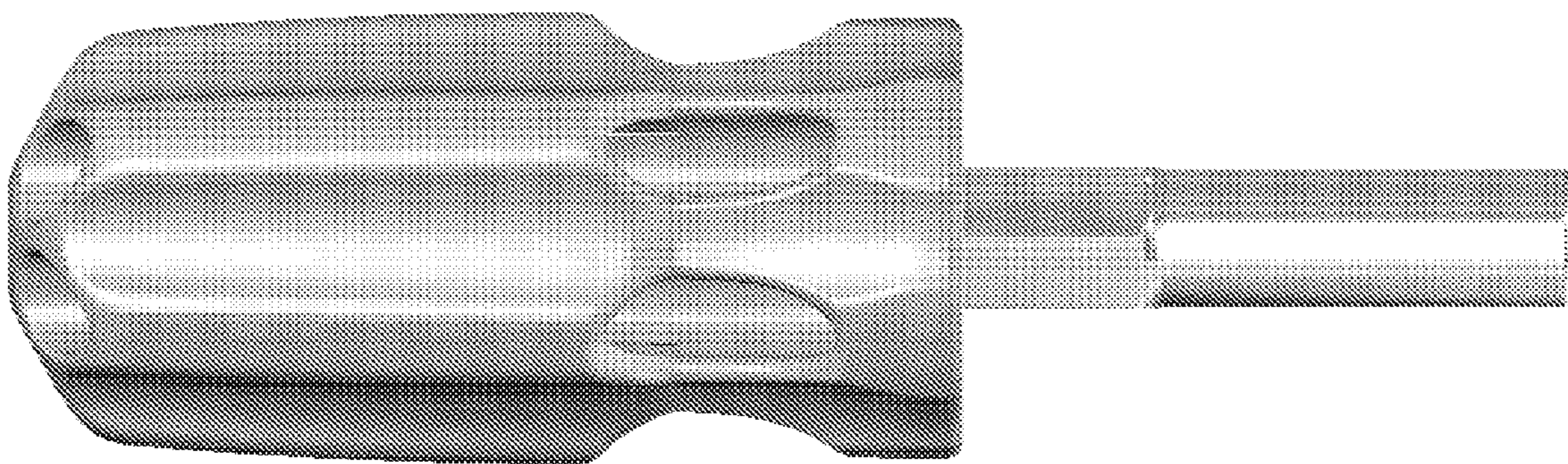


Fig. 13

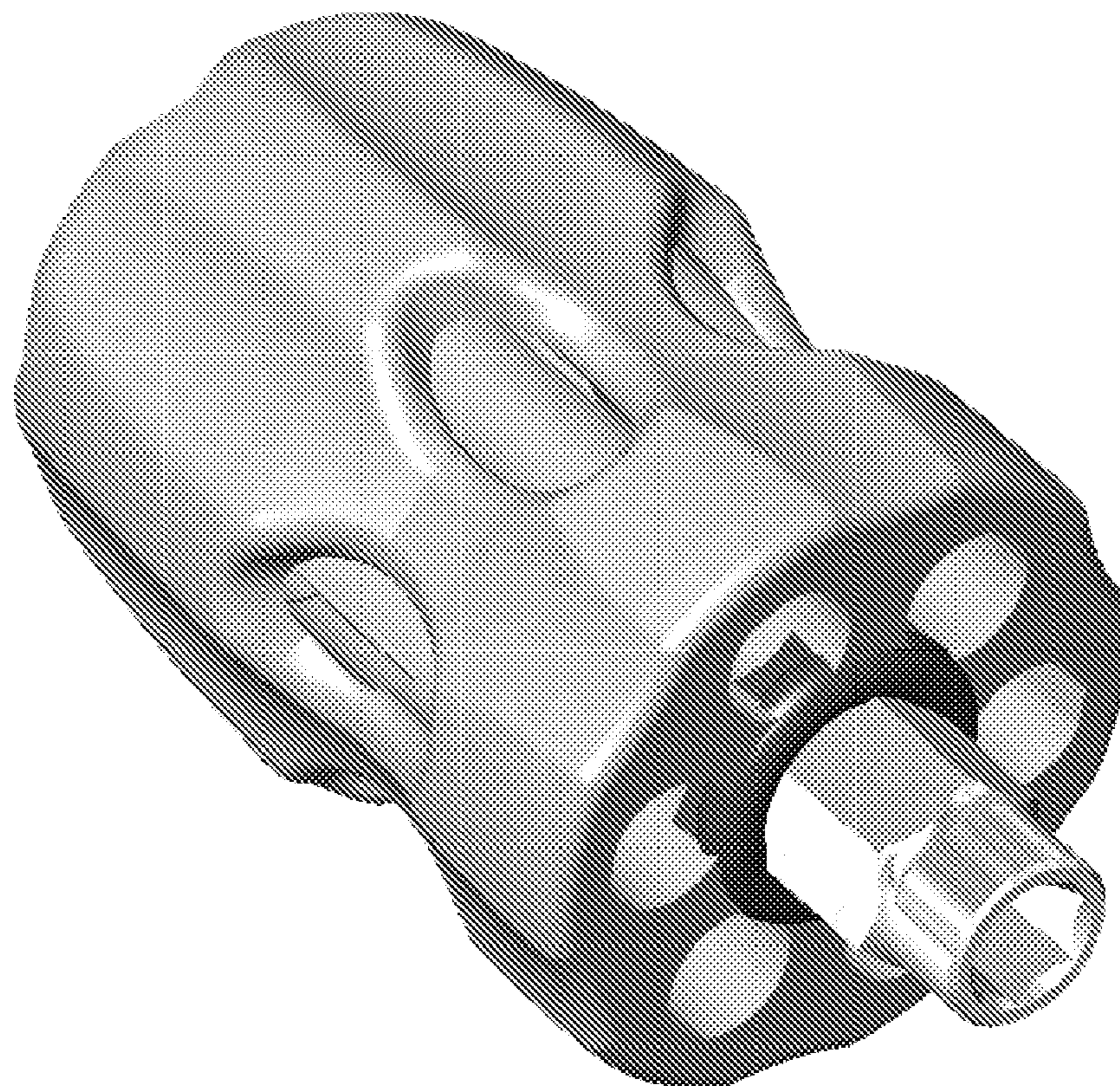


Fig. 14

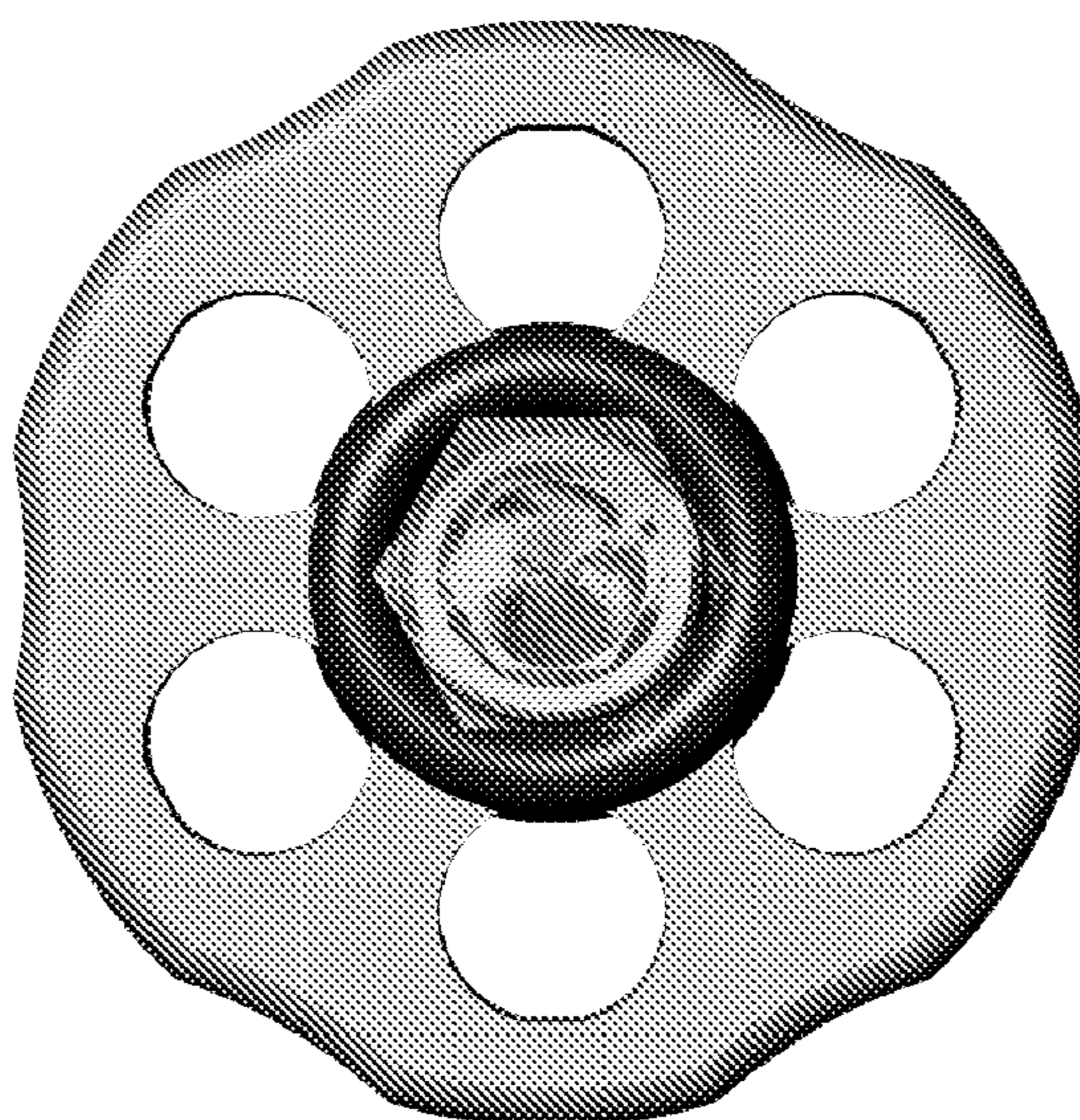


Fig. 15

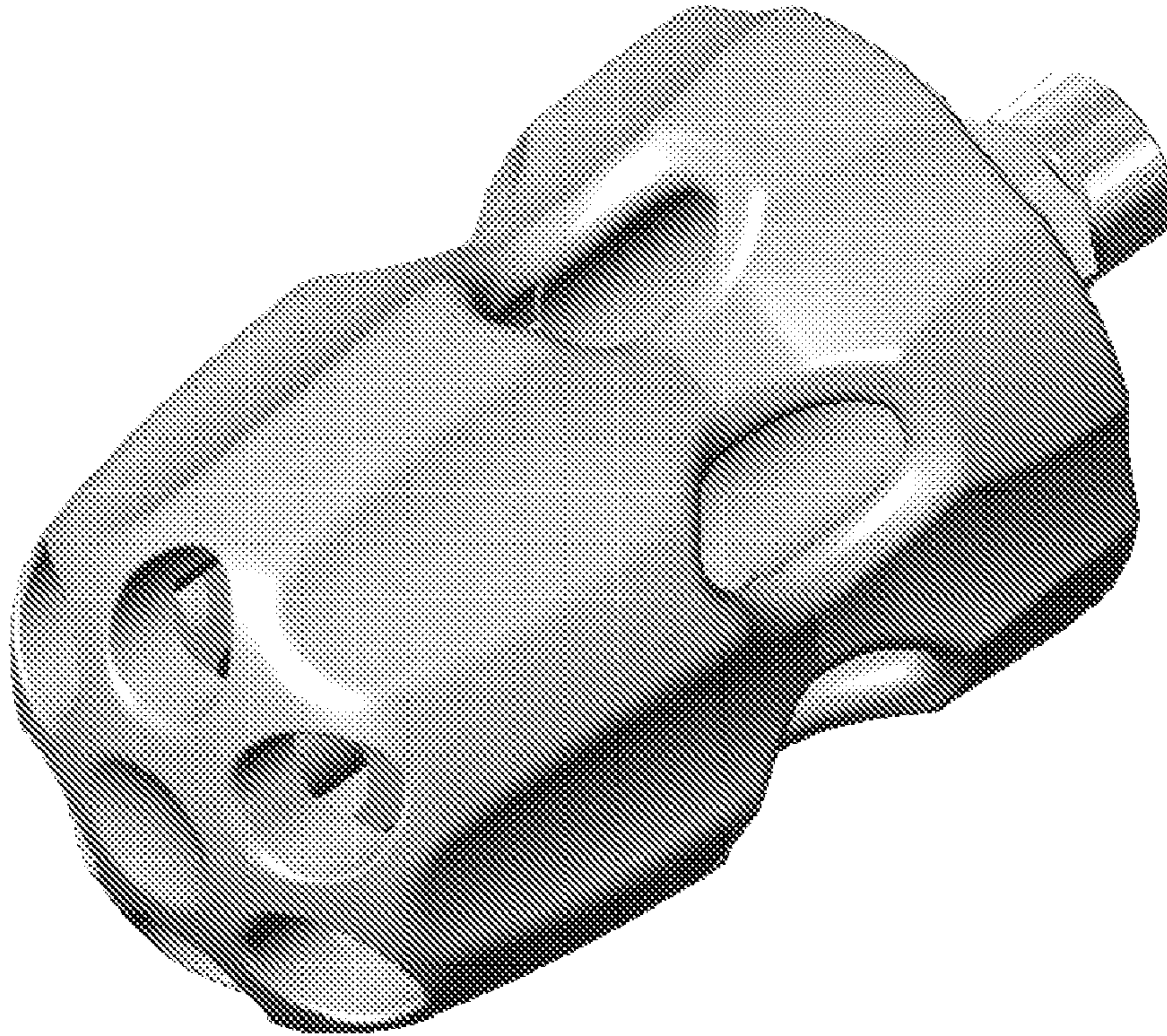


Fig. 16

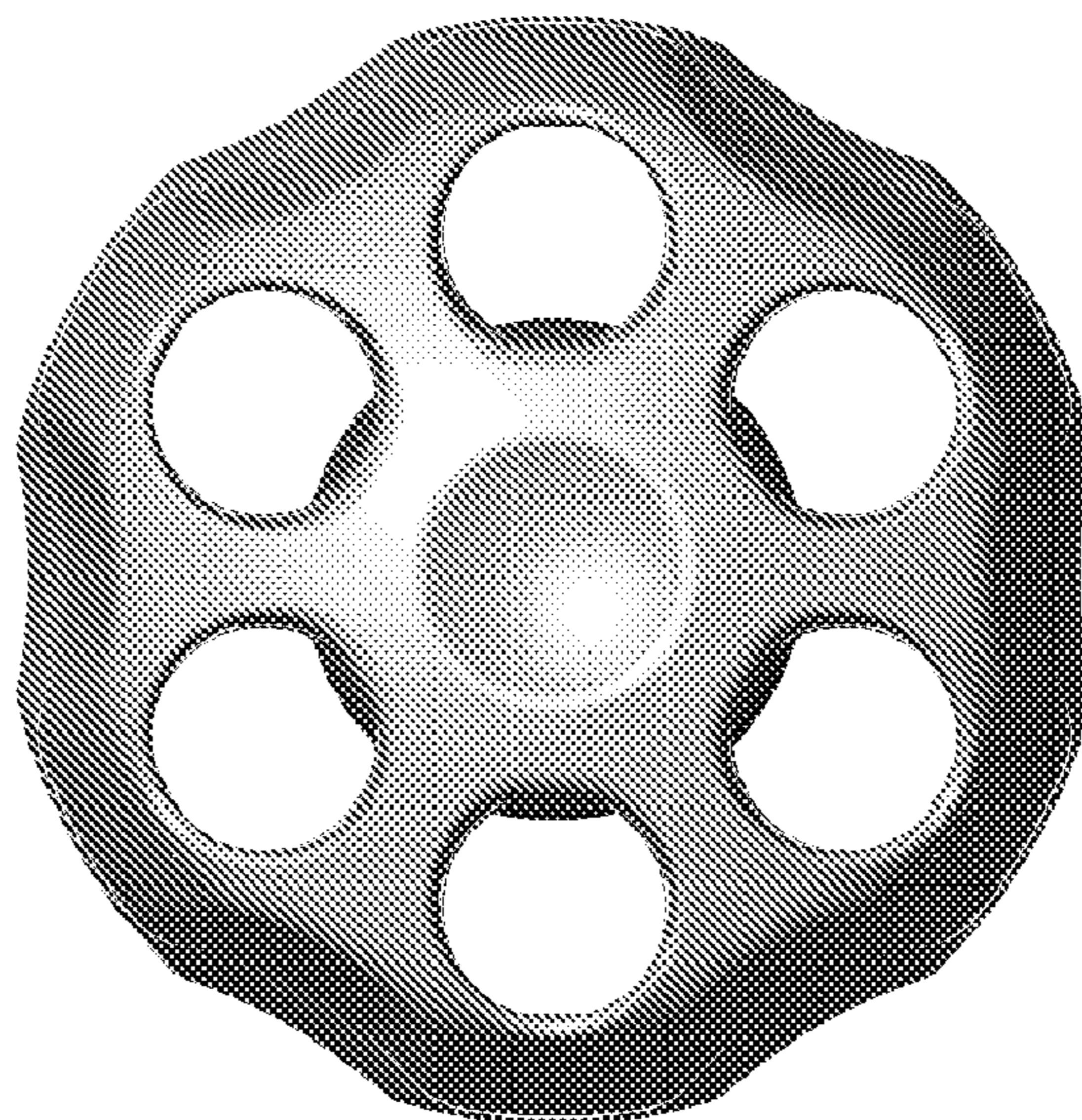


Fig. 17

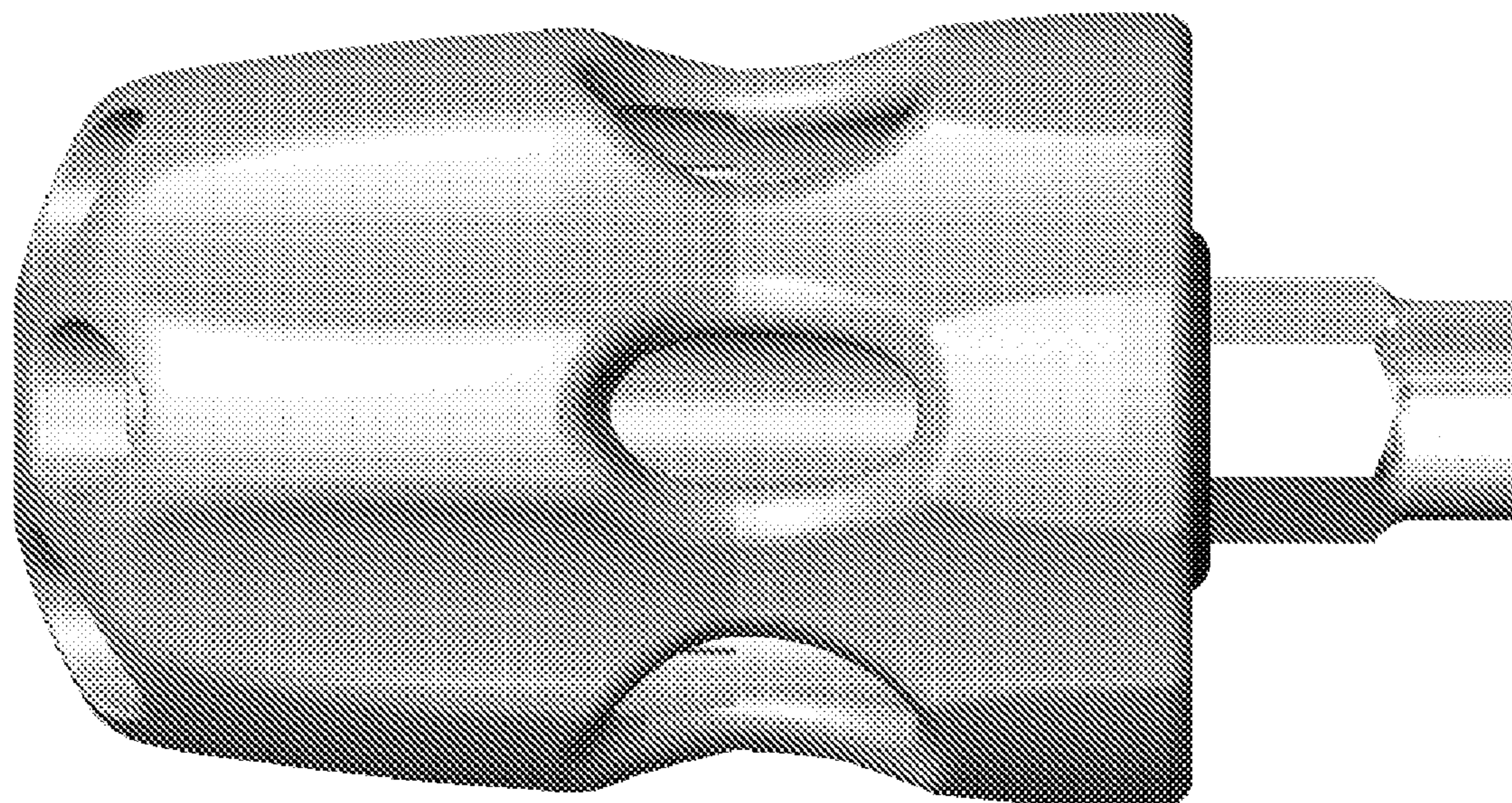


Fig. 18

