



US00D596471S

(12) **United States Design Patent**  
**Huang**

(10) **Patent No.:** **US D596,471 S**  
(45) **Date of Patent:** **\*\* Jul. 21, 2009**

- (54) **“T” TAP WRENCH**
- (76) Inventor: **Chang Yang Huang**, 169, Guojhong Road, Wufong, Taichung (TW)
- (\*\*) Term: **14 Years**
- (21) Appl. No.: **29/318,338**
- (22) Filed: **May 19, 2008**
- (51) **LOC (9) Cl.** ..... **08-05**
- (52) **U.S. Cl.** ..... **D8/21**
- (58) **Field of Classification Search** ..... D8/17,  
D8/21-29, 105, 52, 53, 54, 55, 81-87, 102-107,  
D8/98, 99, 93, 94; 81/119, 121.1, 86, 124.2,  
81/125, 125.1, 176.1, 176.2, 177.1, 177.2,  
81/177.85, 124.3, 124.7, 176.3, 179, 160,  
81/3.57, 3.55, 58.3, 300, 58.1, 60-63.2, 165-170,  
81/110.1, 124.6, 176.15, 177.3, 58.4, 121.7,  
81/436, 437, 418, 186, 177.8, 177.9, 185.1,  
81/3.4, 177.4, 492, 57, 58, 13, 177.7, 490,  
81/415-423, 427.5, 134, 142, 129; 81/118;  
140/119; 16/422, 186, 429  
See application file for complete search history.

- D394,794 S \* 6/1998 Vasudeva ..... D8/107
- D441,269 S \* 5/2001 Tsai ..... D8/83
- D482,588 S \* 11/2003 Lai ..... D8/107
- D517,634 S \* 3/2006 Nunez et al. .... D21/789
- D530,588 S \* 10/2006 Wang ..... D8/107
- D532,277 S \* 11/2006 Shih ..... D8/107
- D555,445 S \* 11/2007 Strahorn ..... D8/21

\* cited by examiner

*Primary Examiner*—Raphael Barkai  
*Assistant Examiner*—Randall H Gholson

(57) **CLAIM**

The ornamental design for a “T” tap wrench, as shown.

**DESCRIPTION**

- FIG. 1 is a perspective view of a “T” tap wrench showing my new design;
- FIG. 2 is a front end view thereof;
- FIG. 3 is a rear end view thereof;
- FIG. 4 is a right side view thereof;
- FIG. 5 is a left side view thereof;
- FIG. 6 is a top plan view thereof; and,
- FIG. 7 is a bottom plan view thereof.

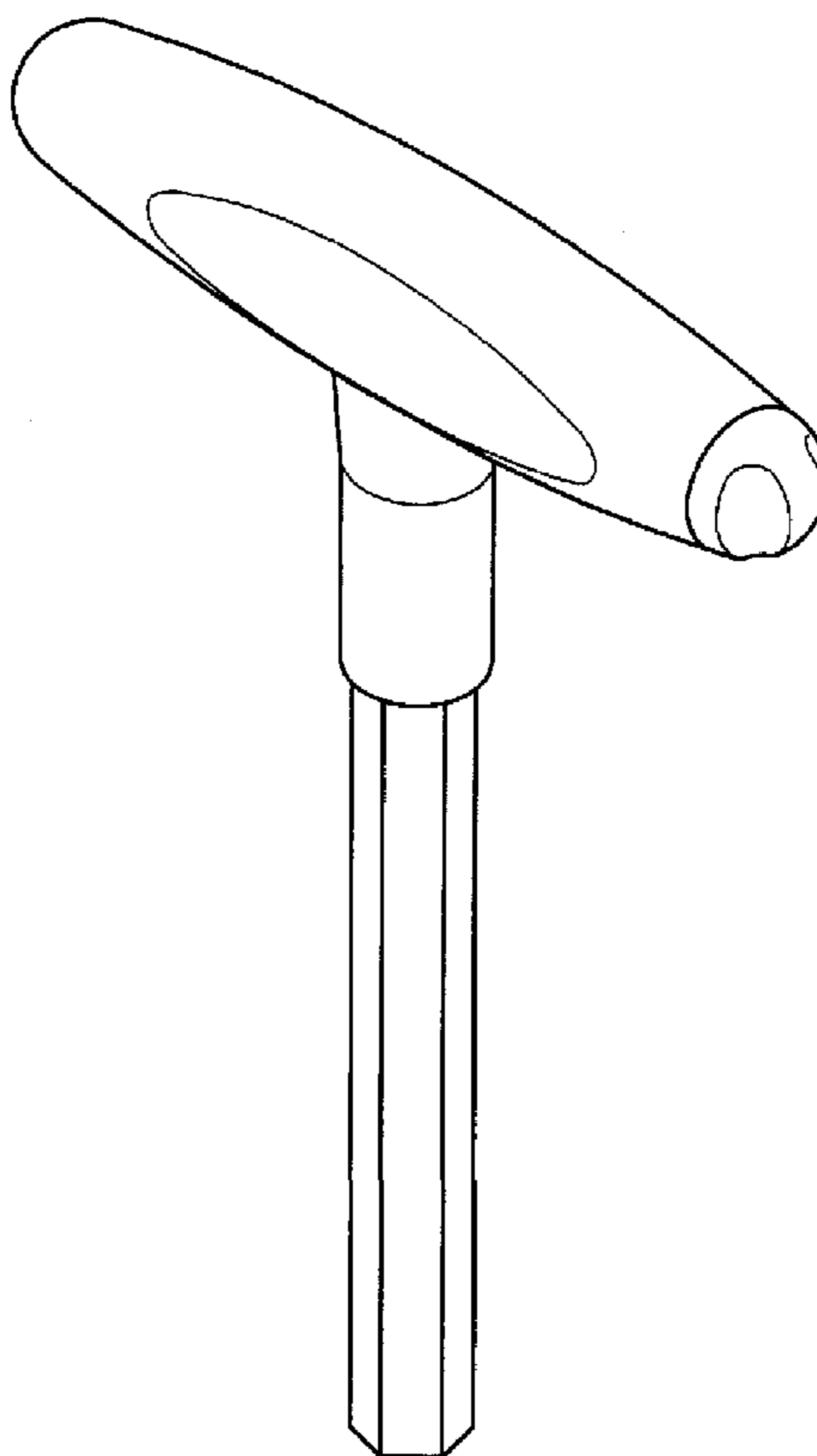
The portion of the tool shown in broken lines forms no part of the claimed design.

**1 Claim, 5 Drawing Sheets**

(56) **References Cited**

U.S. PATENT DOCUMENTS

- D339,048 S \* 9/1993 Baum ..... D8/107
- D342,202 S \* 12/1993 Young ..... D8/107
- D386,062 S \* 11/1997 Quick ..... D8/107



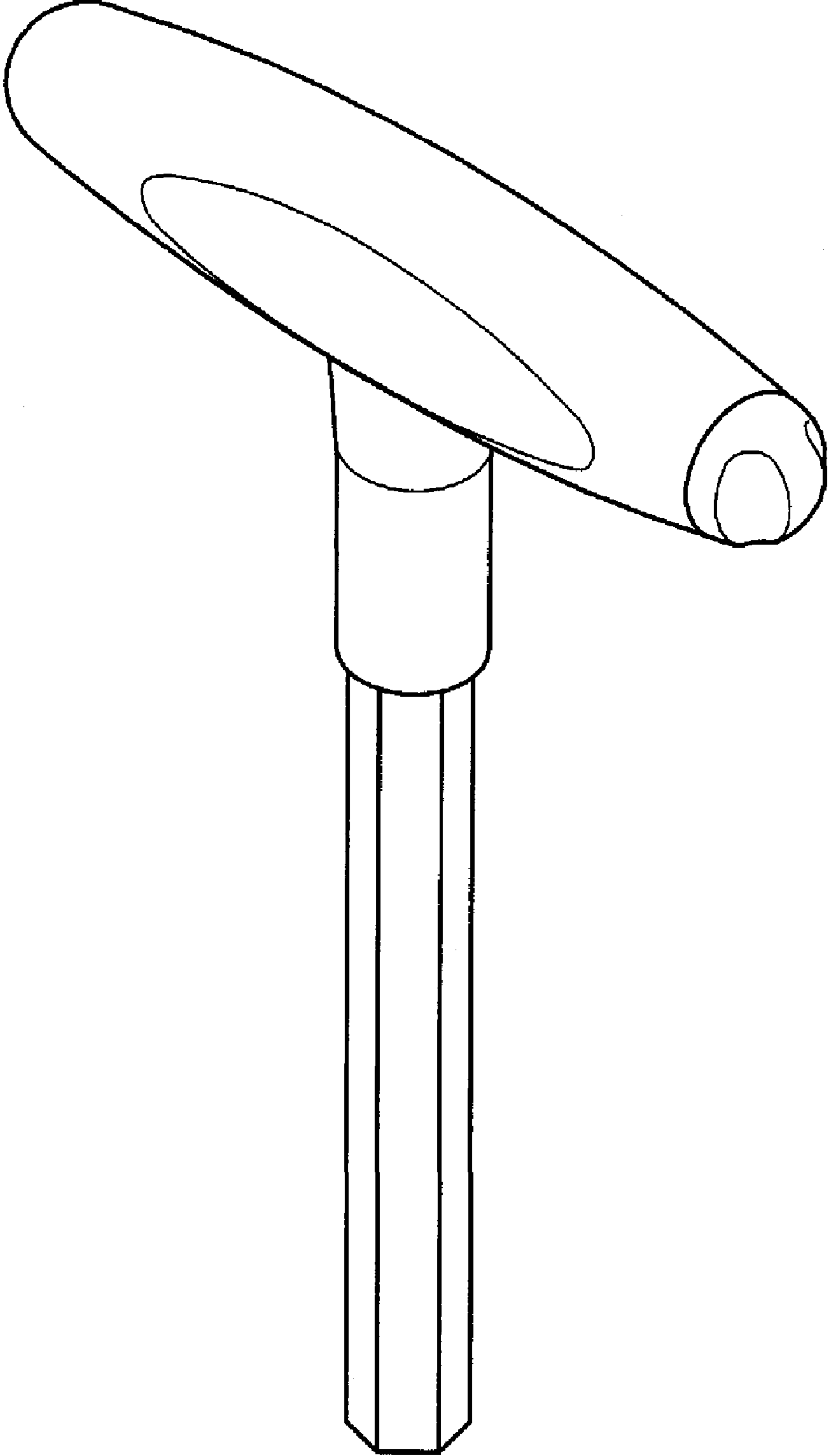


FIG. 1

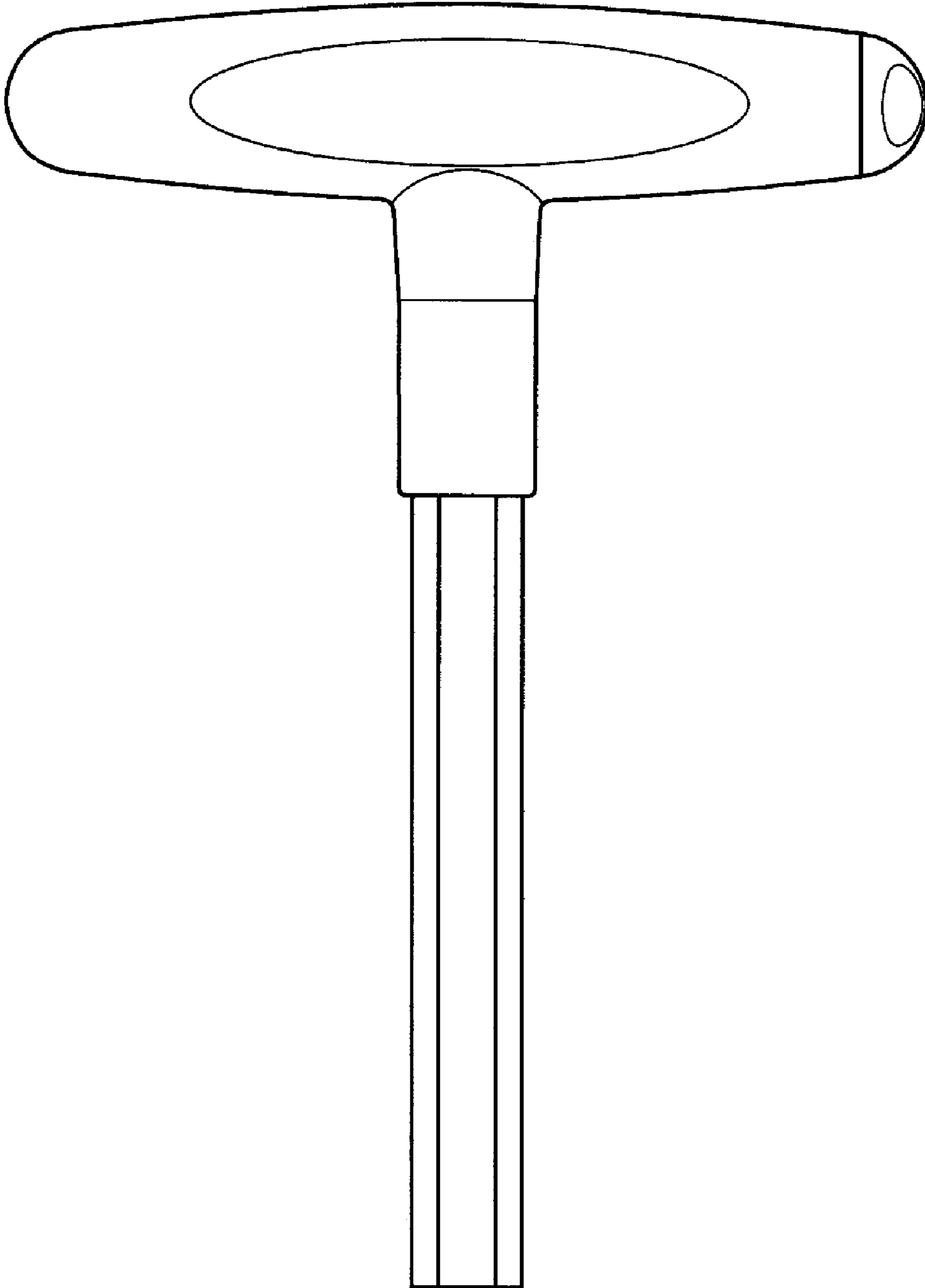


FIG. 2

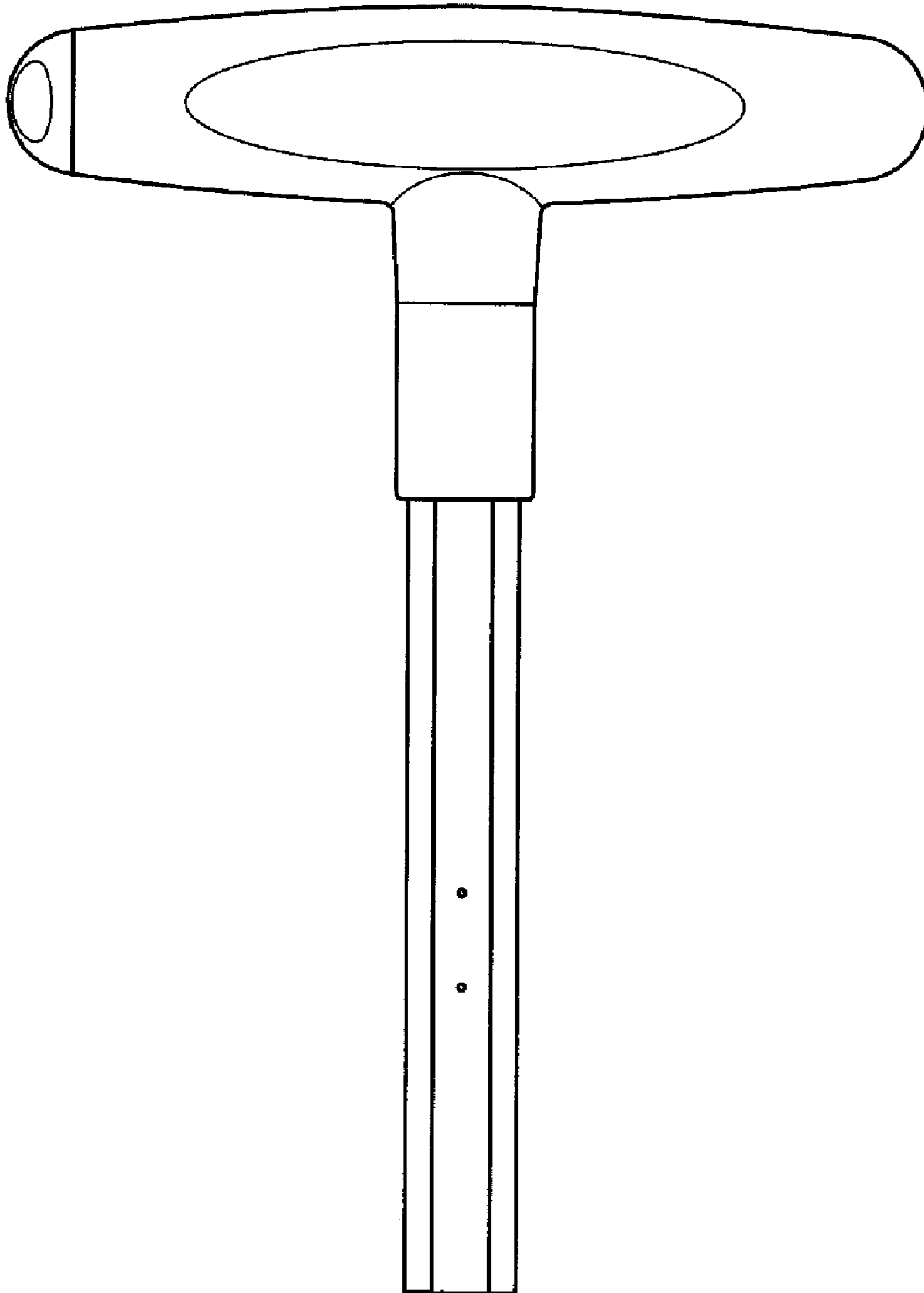


FIG. 3

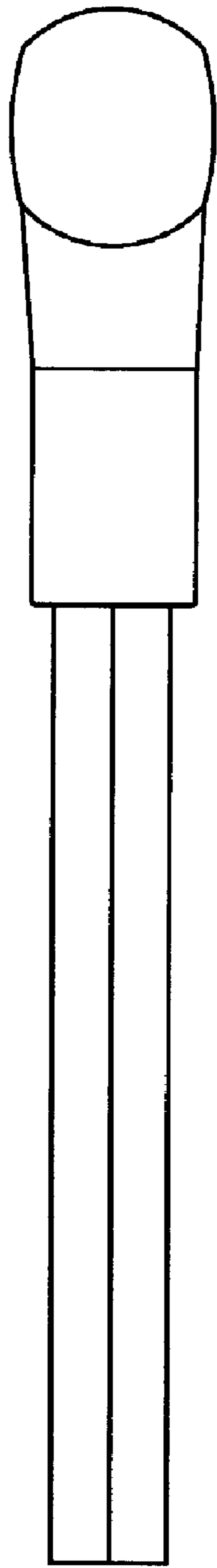


FIG. 4

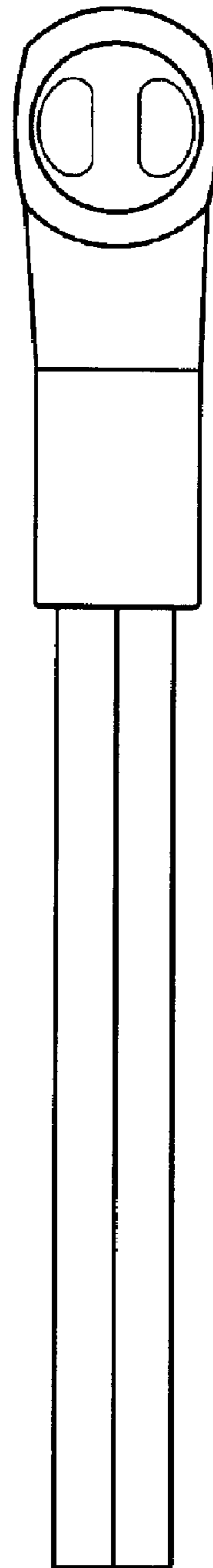


FIG. 5



FIG. 6

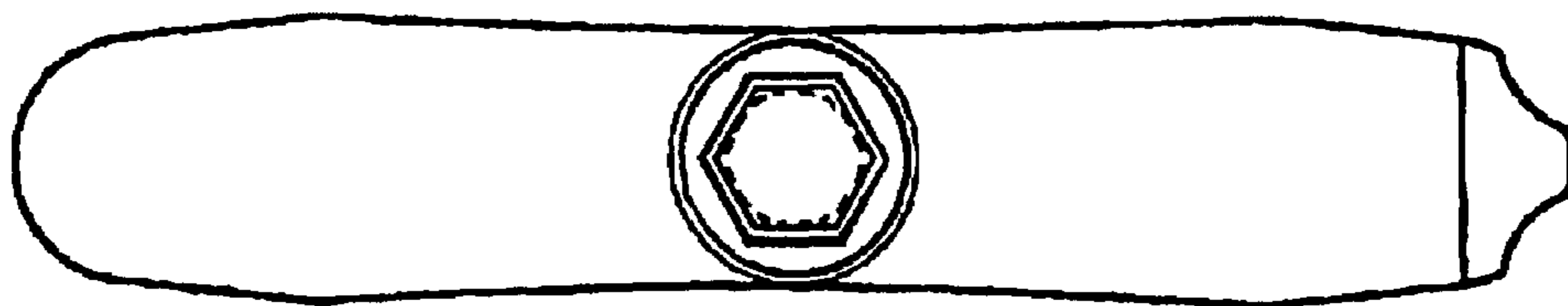


FIG. 7