



US00D596468S

(12) **United States Design Patent**
Seehoff

(10) **Patent No.:** **US D596,468 S**
(45) **Date of Patent:** **** Jul. 21, 2009**

(54) **COMBINED PEELER AND BRUSH**

DESCRIPTION

(76) Inventor: **Gary Seehoff**, 3701 Dellvale Pl., Encino, CA (US) 91436-4145

(**) Term: **14 Years**

(21) Appl. No.: **29/321,827**

(22) Filed: **Jul. 24, 2008**

(51) **LOC (9) Cl.** **07-04**

(52) **U.S. Cl.** **D7/695; D4/116**

(58) **Field of Classification Search** D7/672-696,
D7/669, 368; D4/116-118; 7/110, 112,
7/113; 15/105, 106, 111, 113; 99/541-545,
99/584, 588; 30/113.1, 113.2, 113.3, 283,
30/280, 272, 278, 279 R, 123.3, 123.5-123.7,
30/279.6

See application file for complete search history.

(56) **References Cited**

U.S. PATENT DOCUMENTS

D93,270 S *	9/1934	White	D7/653
D415,660 S *	10/1999	Lion et al.	D7/693
6,671,964 B2 *	1/2004	Ruiz	30/123.6
D516,919 S *	3/2006	Sakai et al.	D4/116
D558,540 S *	1/2008	White et al.	D7/693

* cited by examiner

Primary Examiner—Terry A Wallace

(57) **CLAIM**

The ornamental design for a combined peeler and brush, as shown and described.

FIG. 1 illustrates a top view of the claimed design for a combined peeler and brush in a closed state;

FIG. 2 illustrates a front view thereof;

FIG. 3 illustrates a left-side view thereof;

FIG. 4 illustrates a right-side view thereof;

FIG. 5 illustrates a rear view thereof;

FIG. 6 illustrates a bottom view thereof;

FIG. 7 illustrates an internal sectional view thereof;

FIG. 8 illustrates a perspective view thereof;

FIG. 9 illustrates a front view of the claimed design for first half of the combined peeler and brush including a brush;

FIG. 10 illustrates a top view thereof;

FIG. 11 illustrates a left-side view thereof;

FIG. 12 illustrates a right-side view thereof;

FIG. 13 illustrates a rear view thereof;

FIG. 14 illustrates a bottom view thereof;

FIG. 15 illustrates a perspective view thereof;

FIG. 16 illustrates a top view of the claimed design for a combined peeler and brush showing a second half including a peeler;

FIG. 17 illustrates a front view thereof;

FIG. 18 illustrates a left-side view thereof;

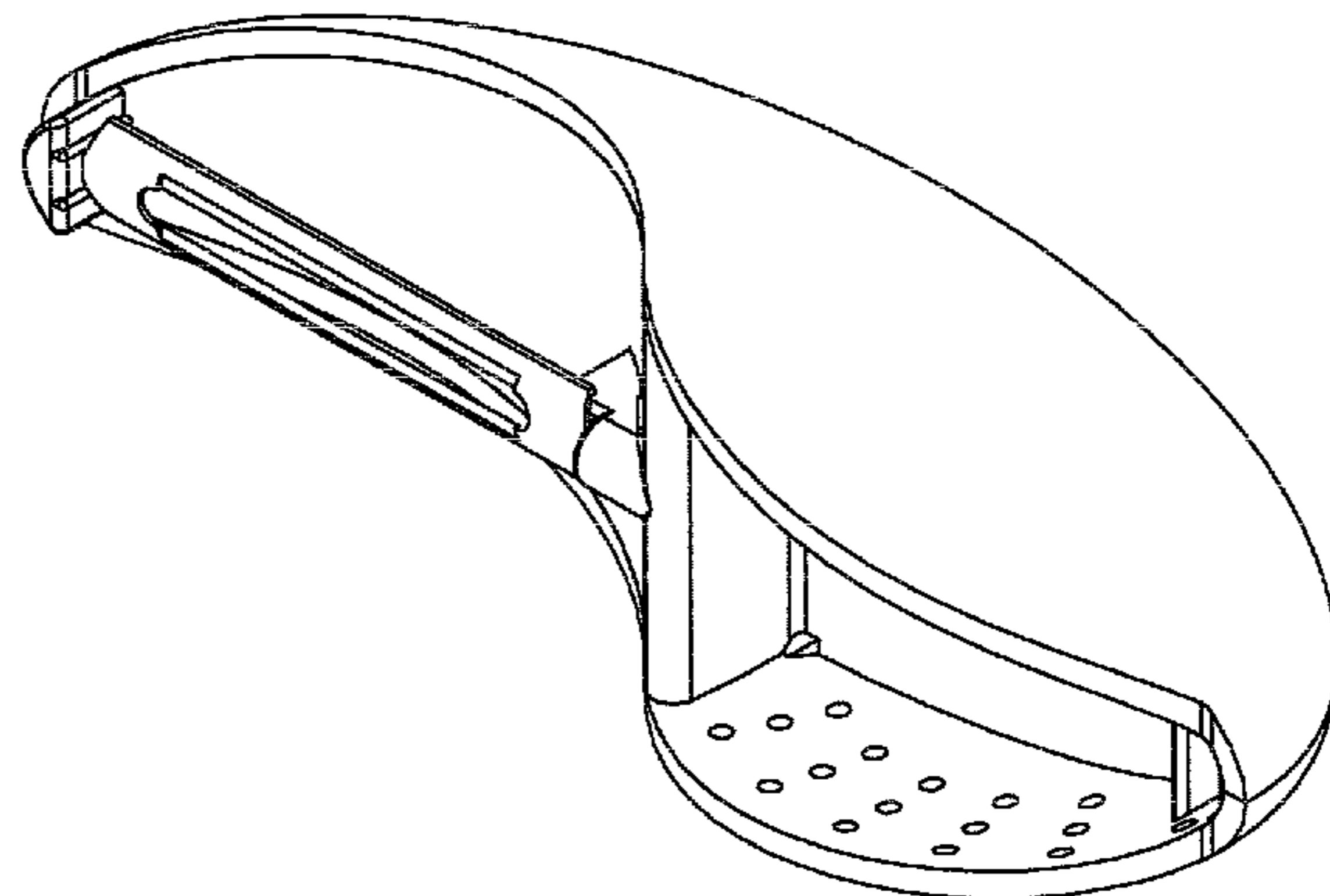
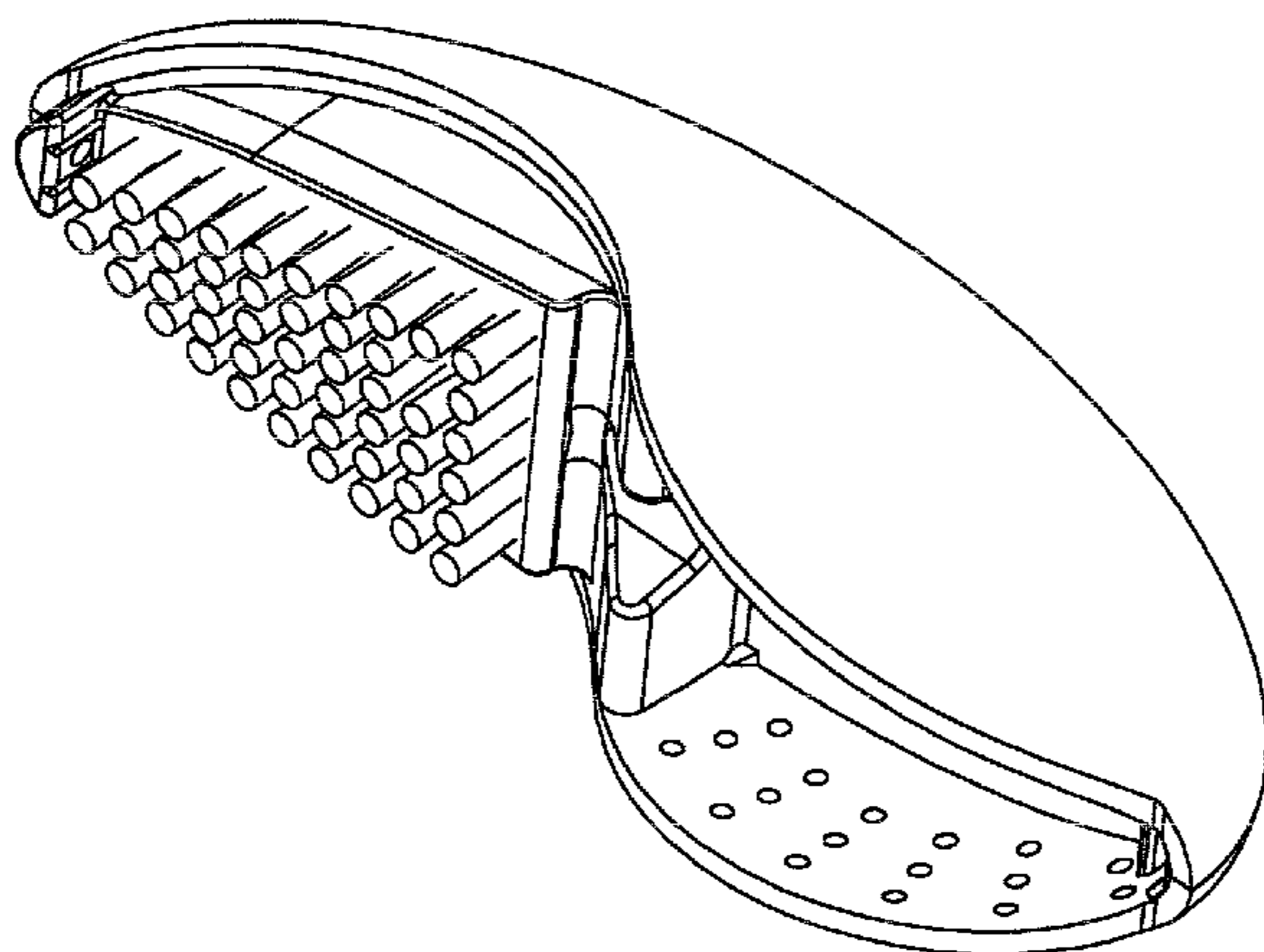
FIG. 19 illustrates a right-side view thereof;

FIG. 20 illustrates a rear view thereof;

FIG. 21 illustrates a bottom view thereof; and,

FIG. 22 illustrates a perspective view thereof.

1 Claim, 22 Drawing Sheets



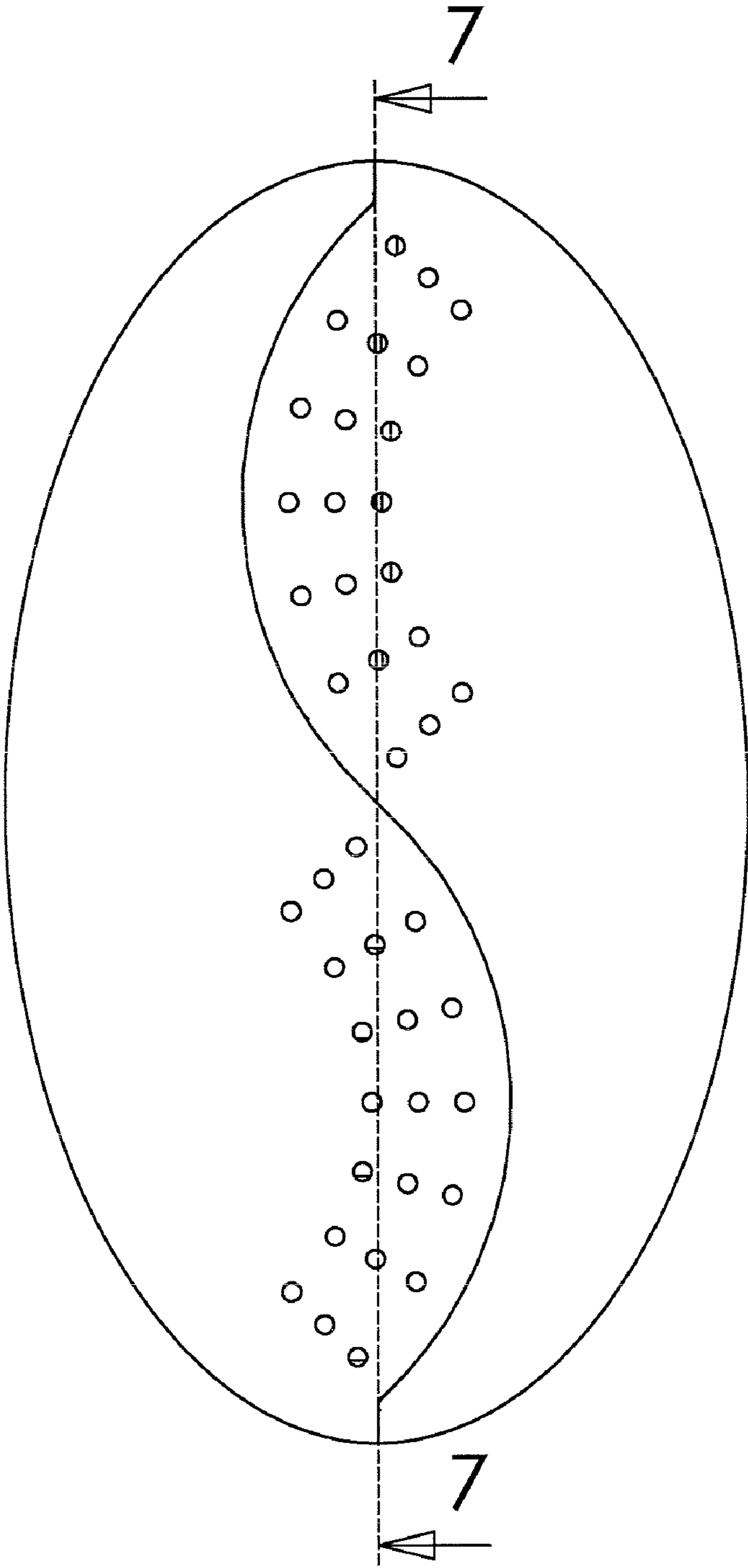


Fig 1

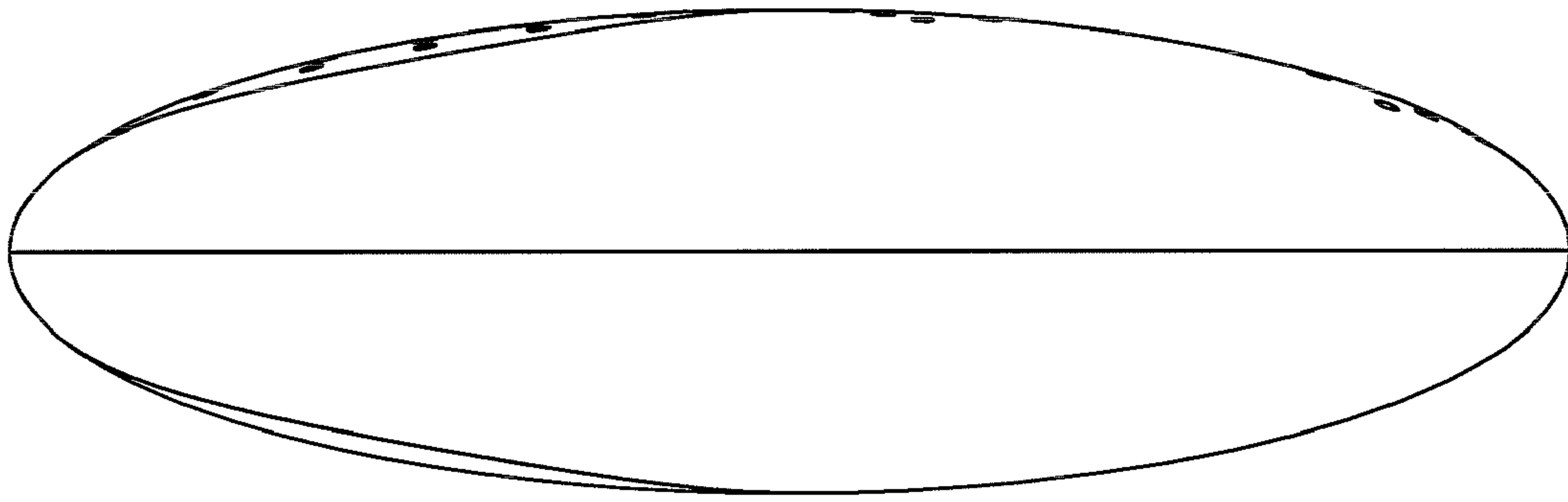


Fig. 2

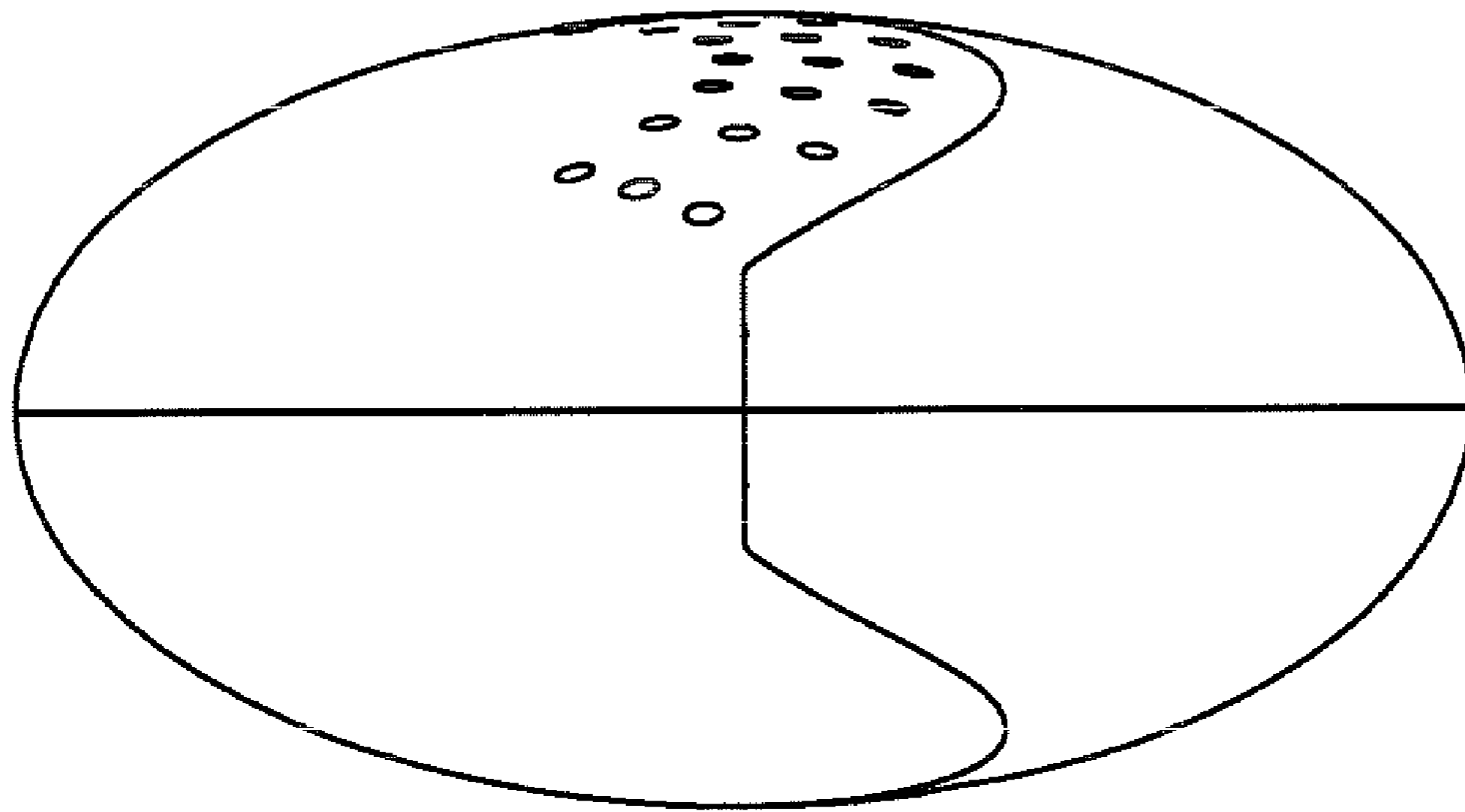


Fig. 3

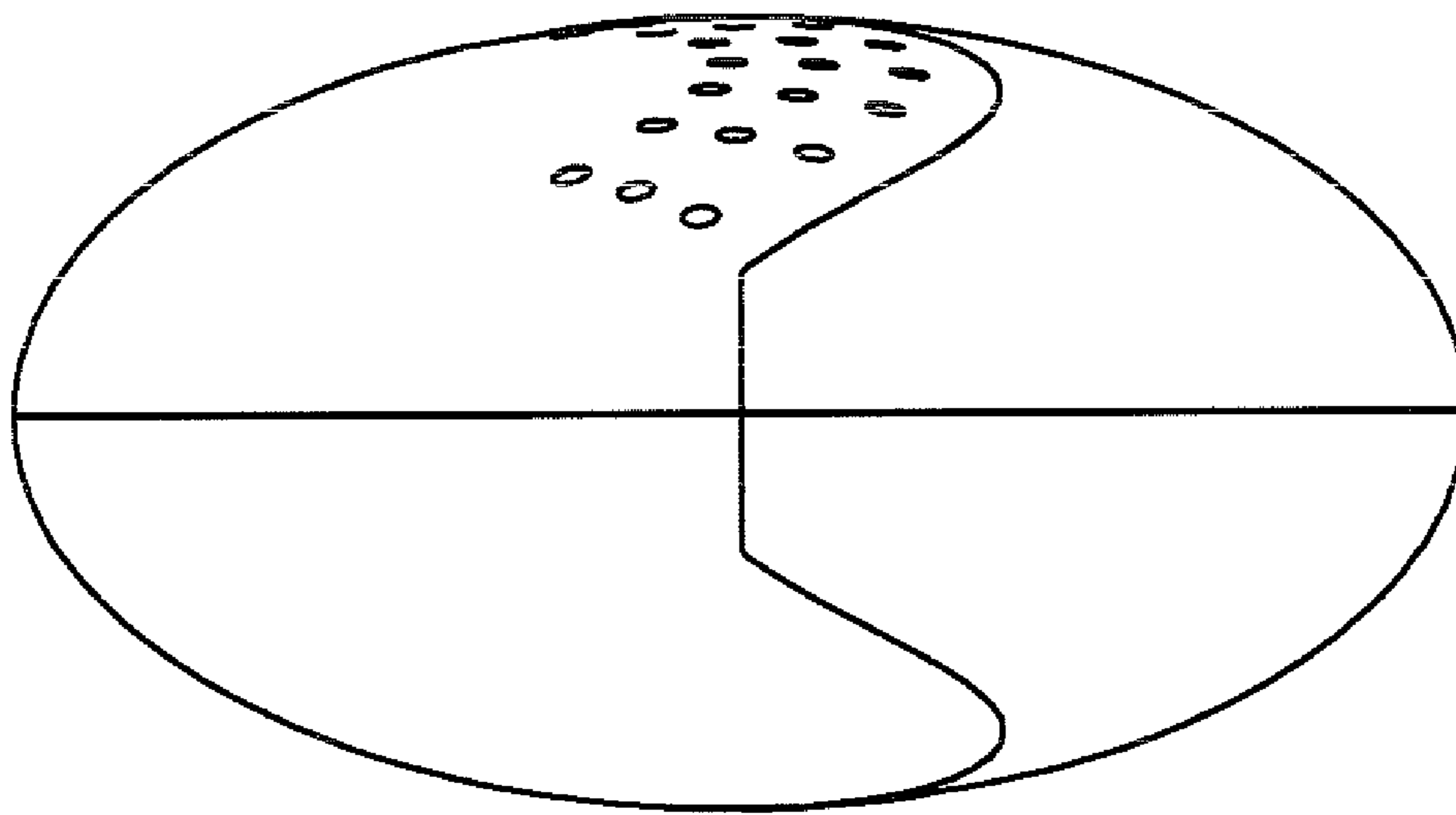


Fig. 4

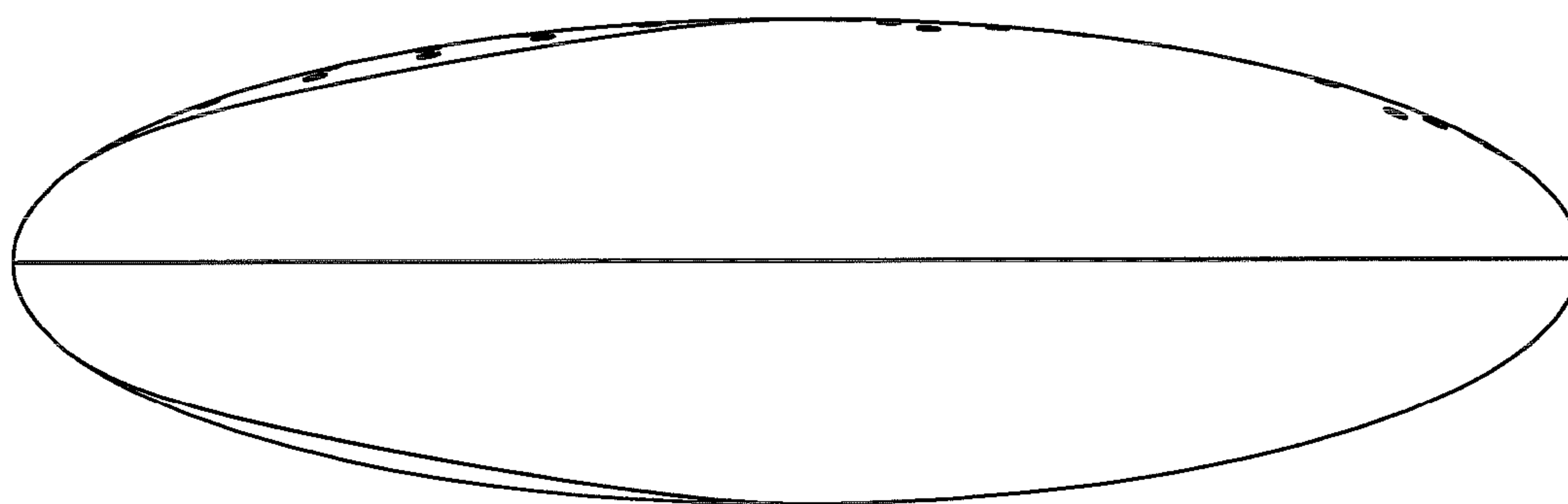


Fig. 5

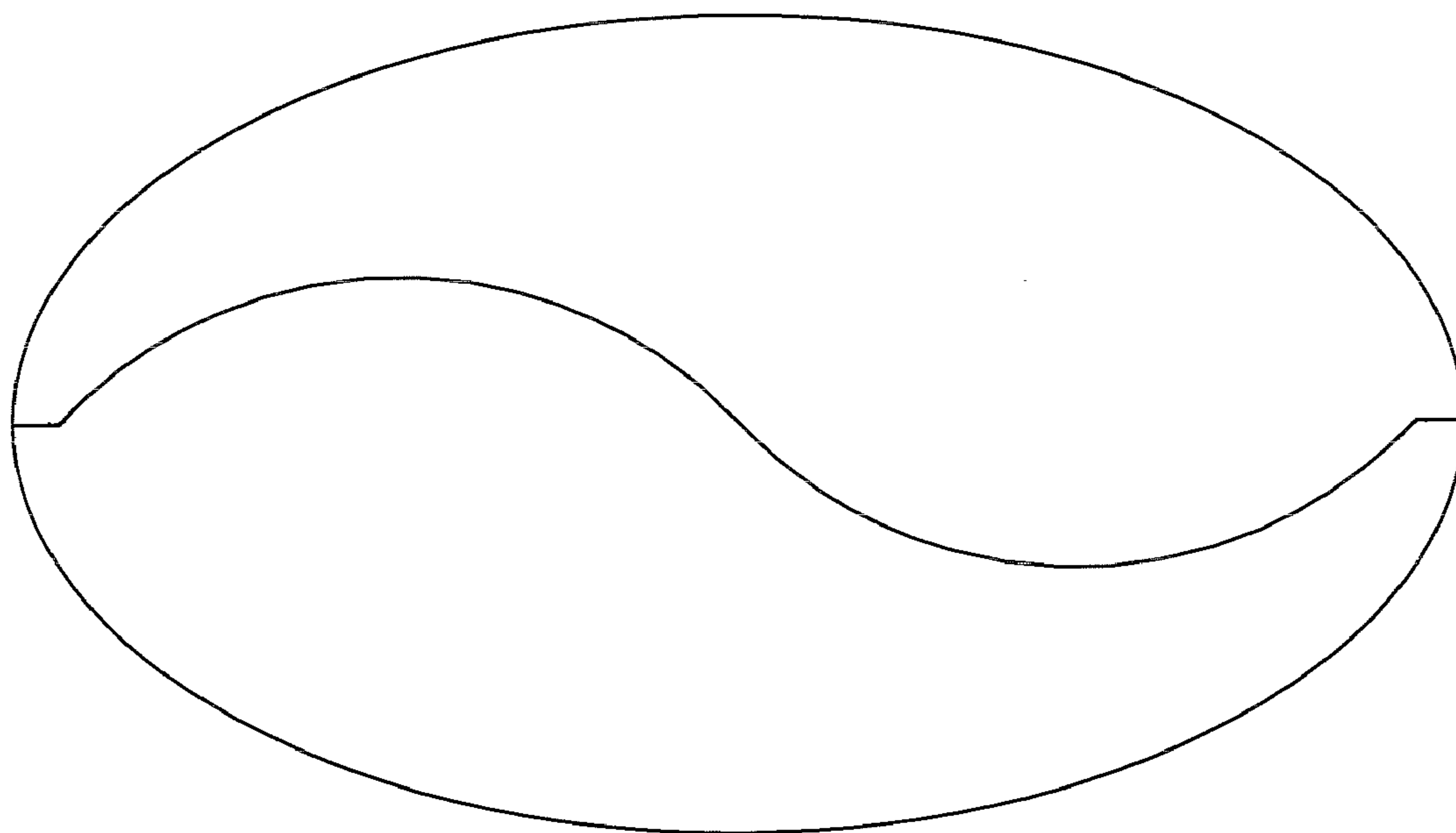


Fig. 6

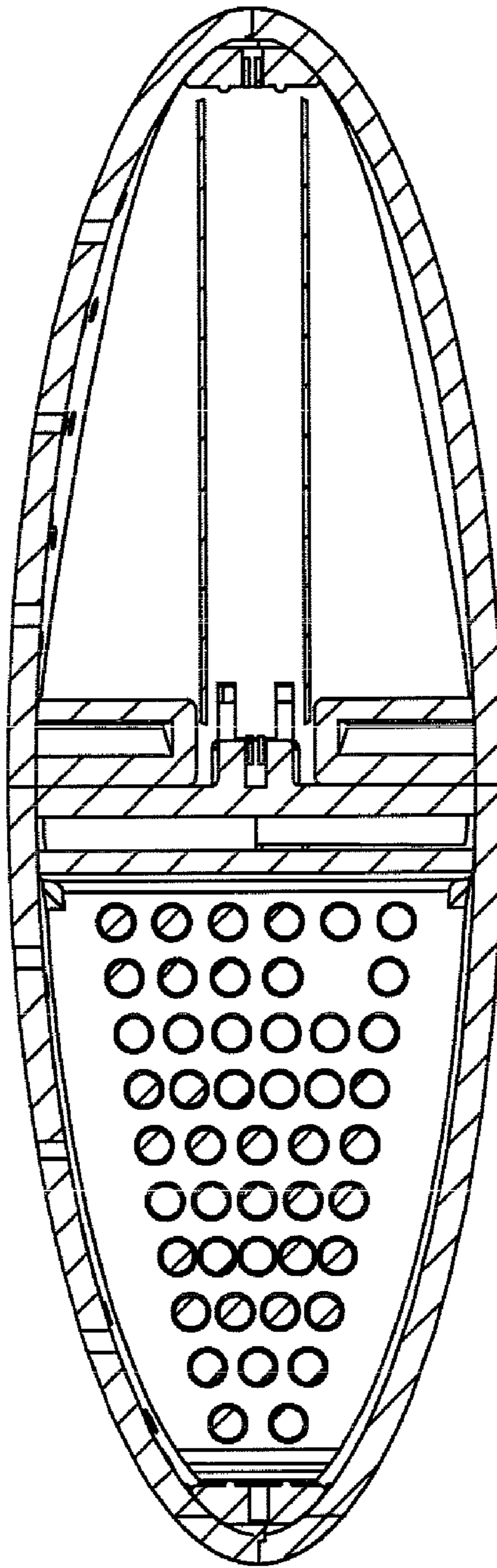


Fig. 7

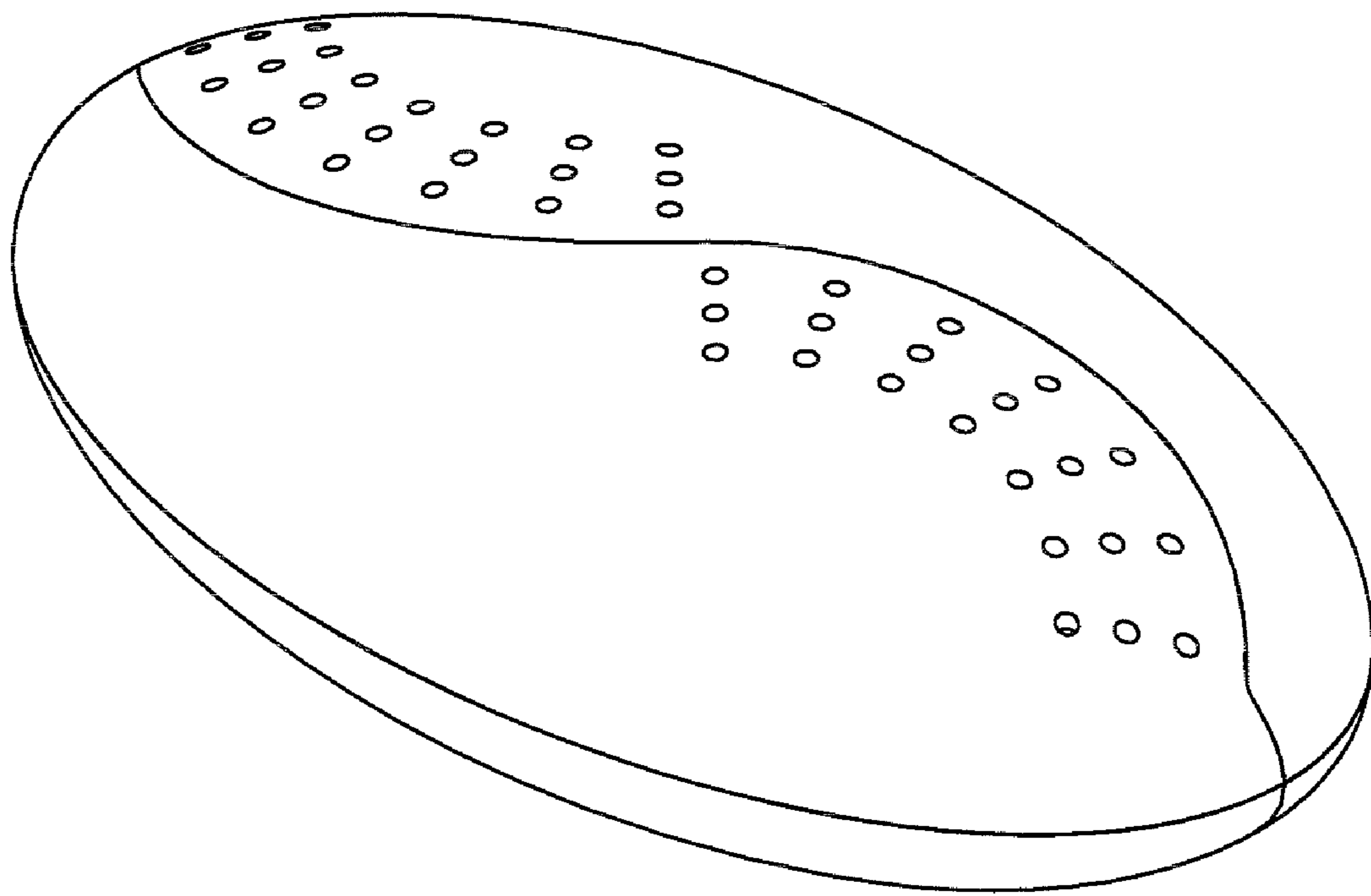


Fig. 8

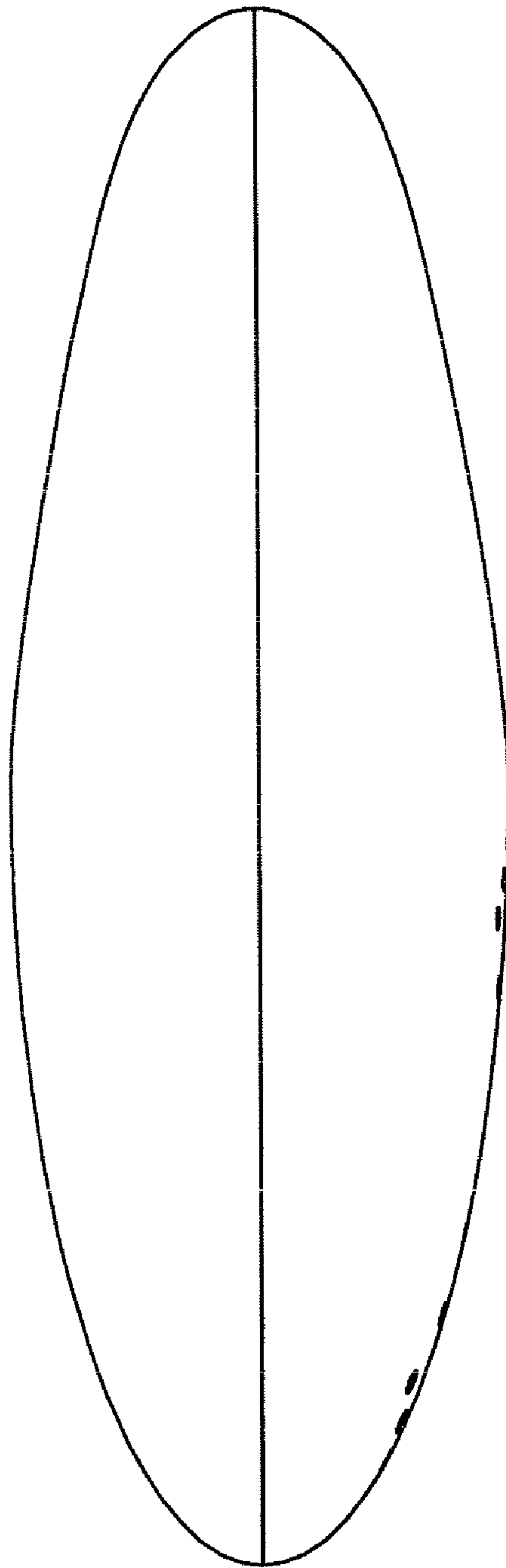


Fig. 9

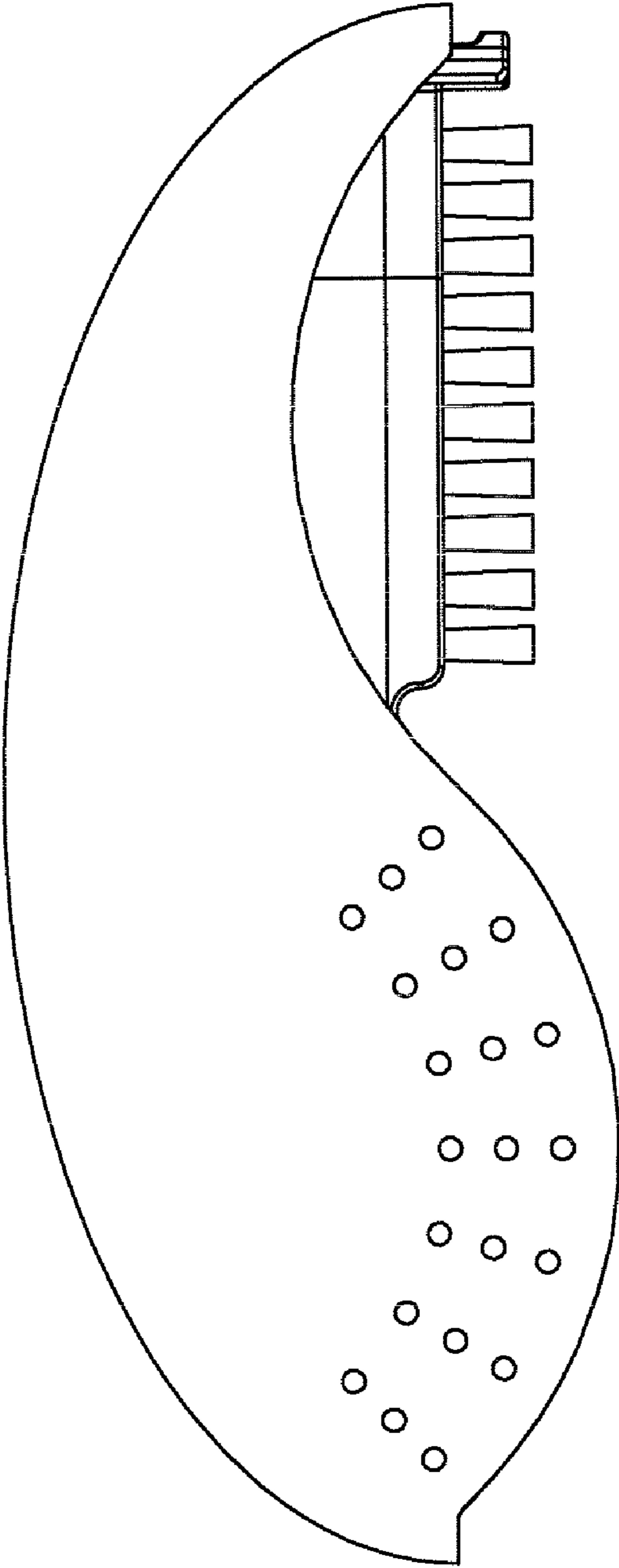


Fig. 10

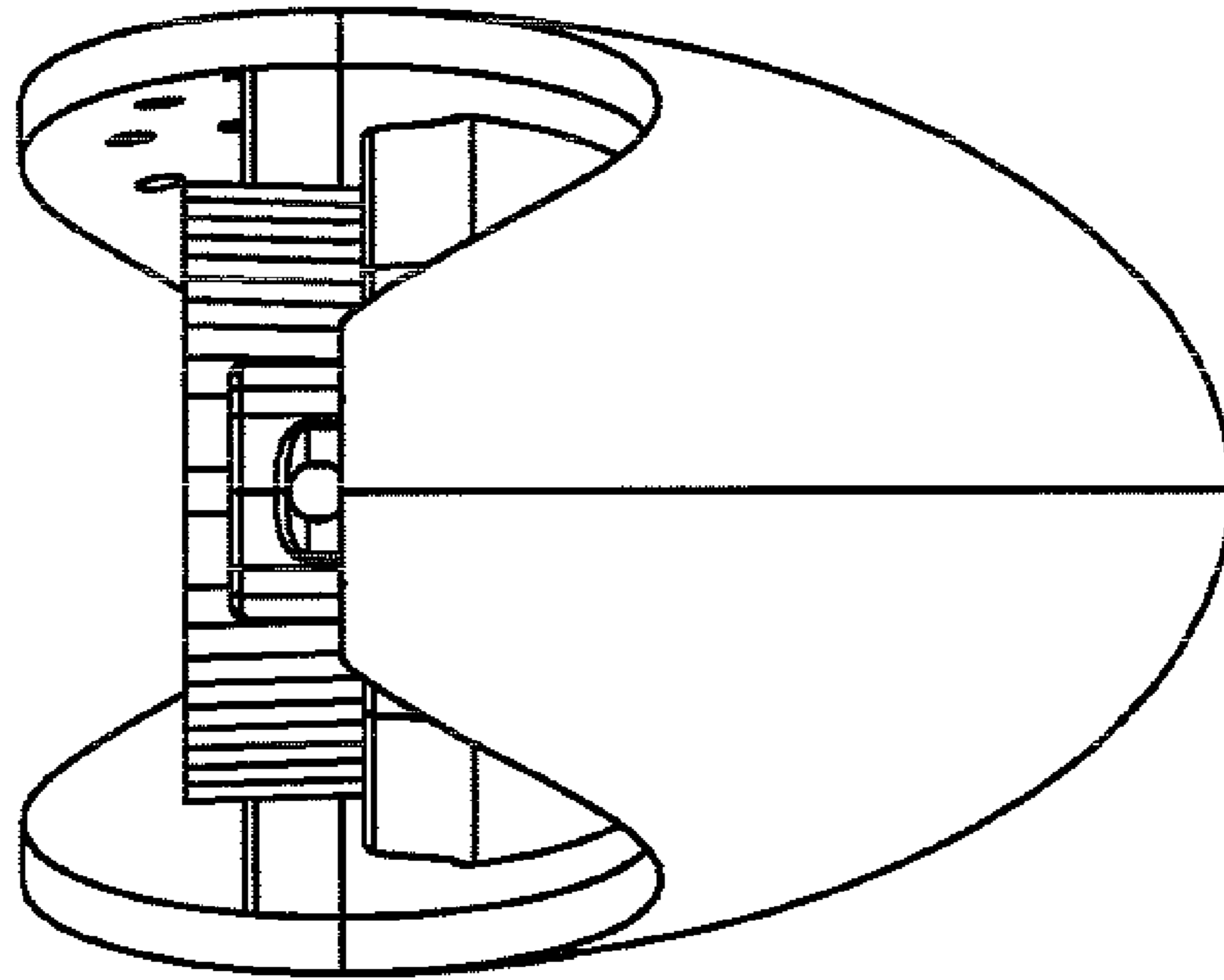


Fig. 11

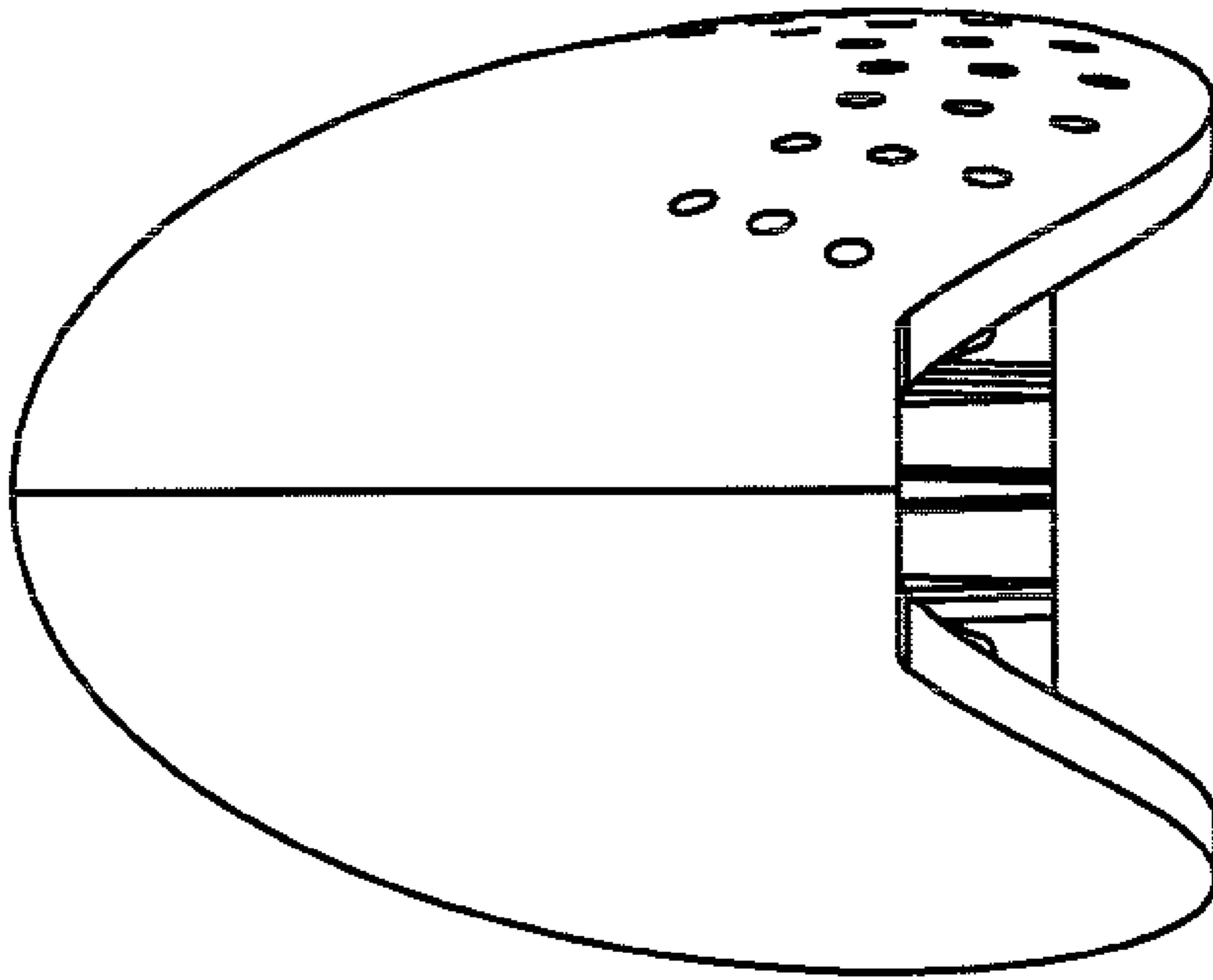


Fig. 12

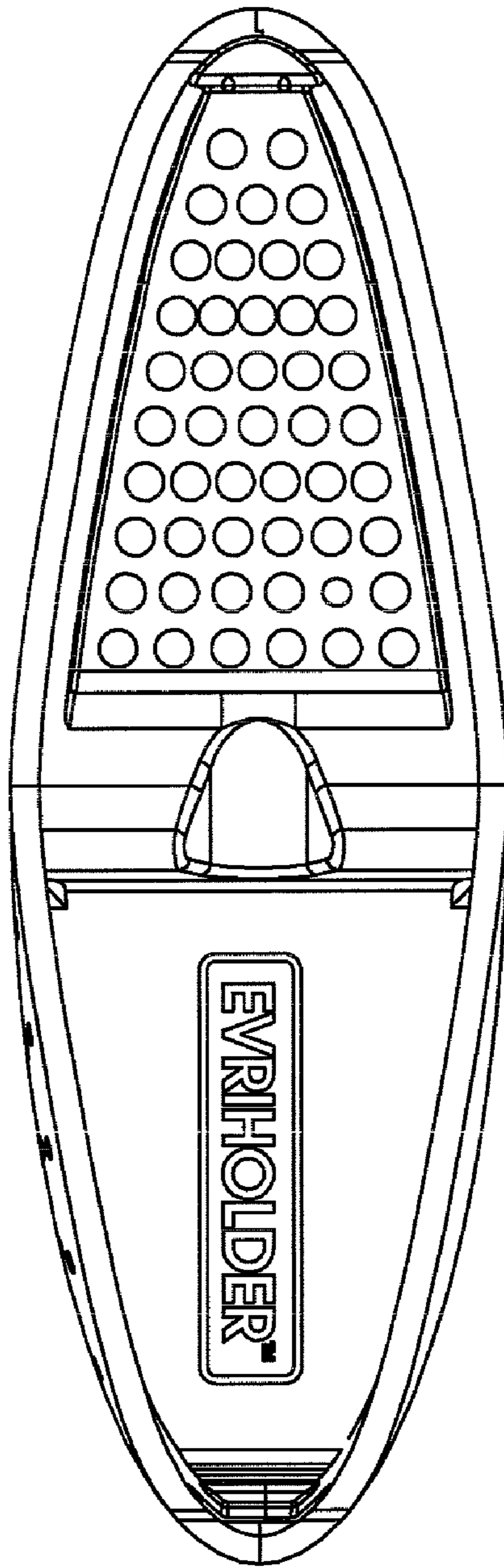


Fig. 13

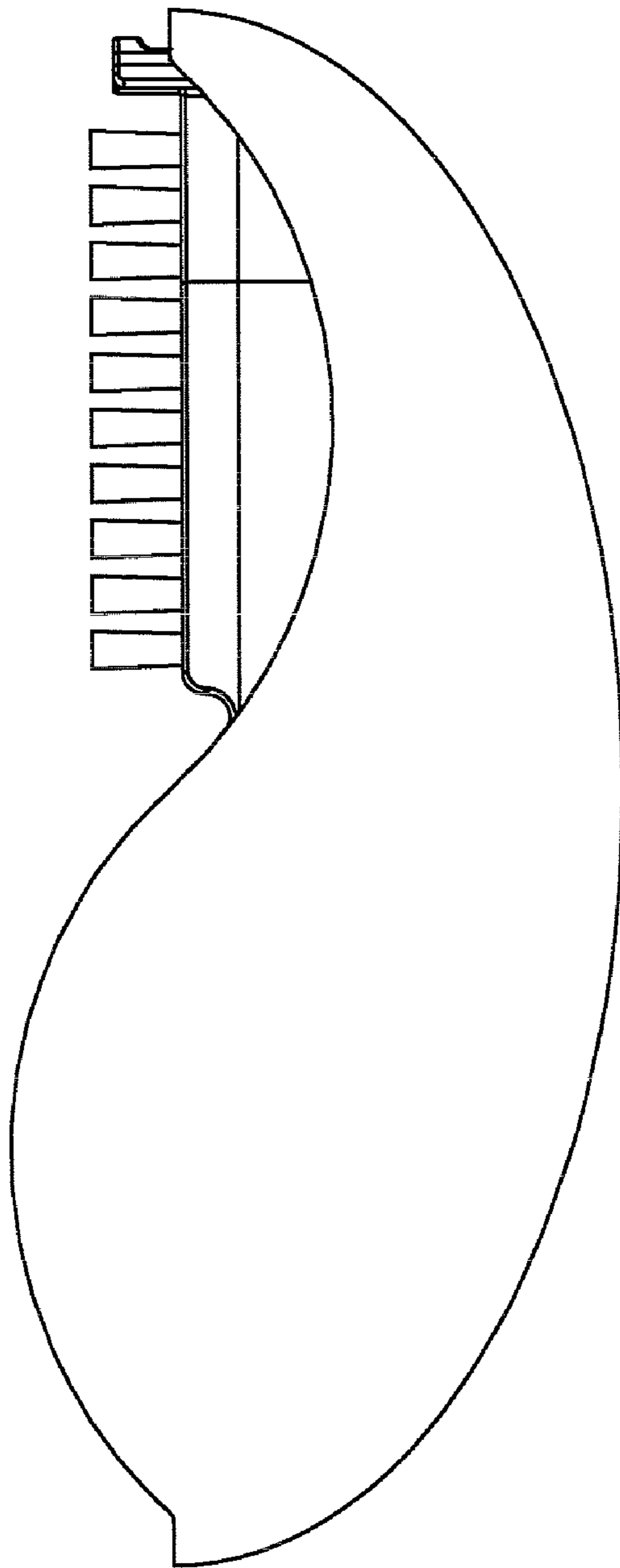


Fig. 14

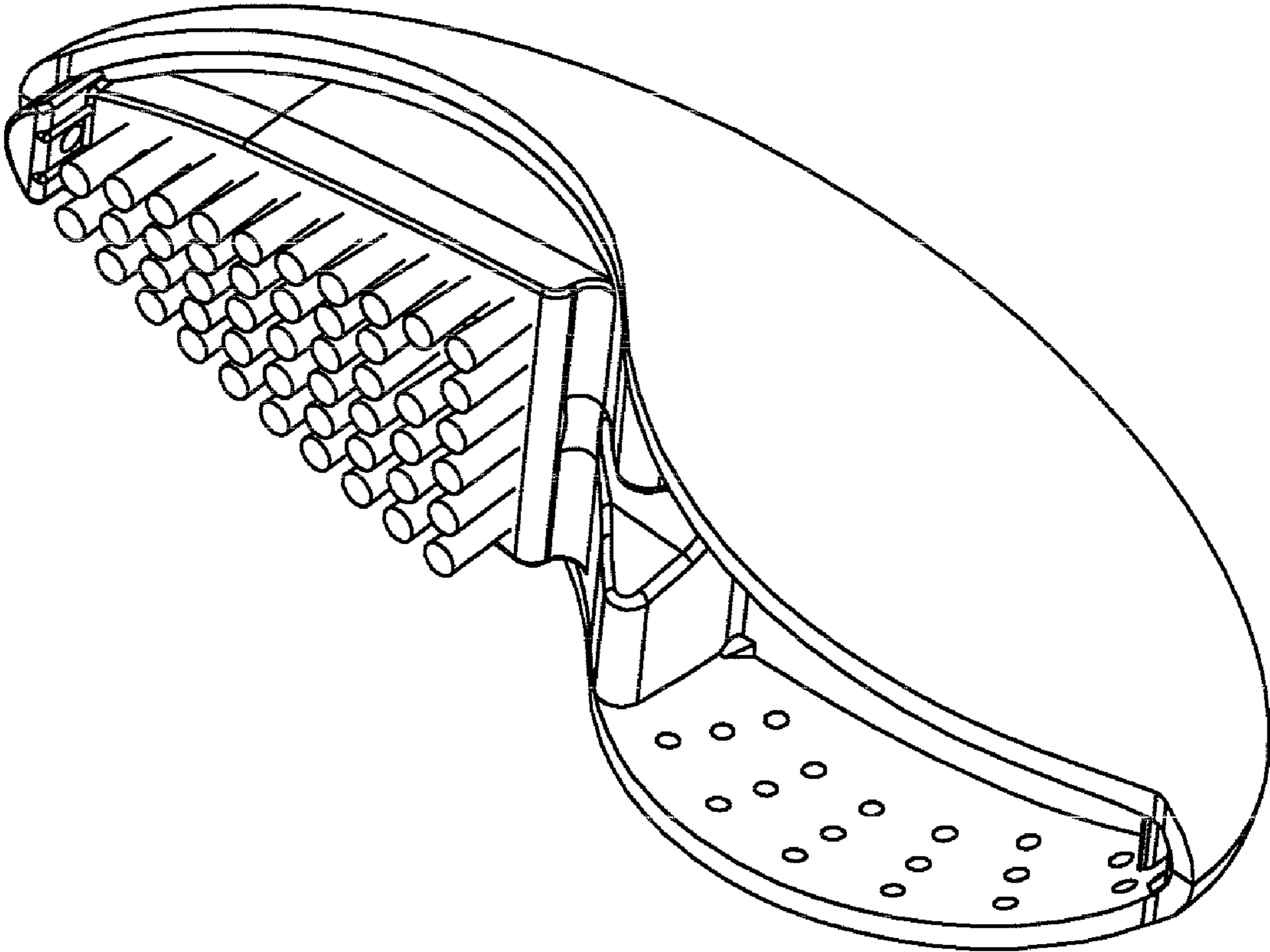


Fig. 15

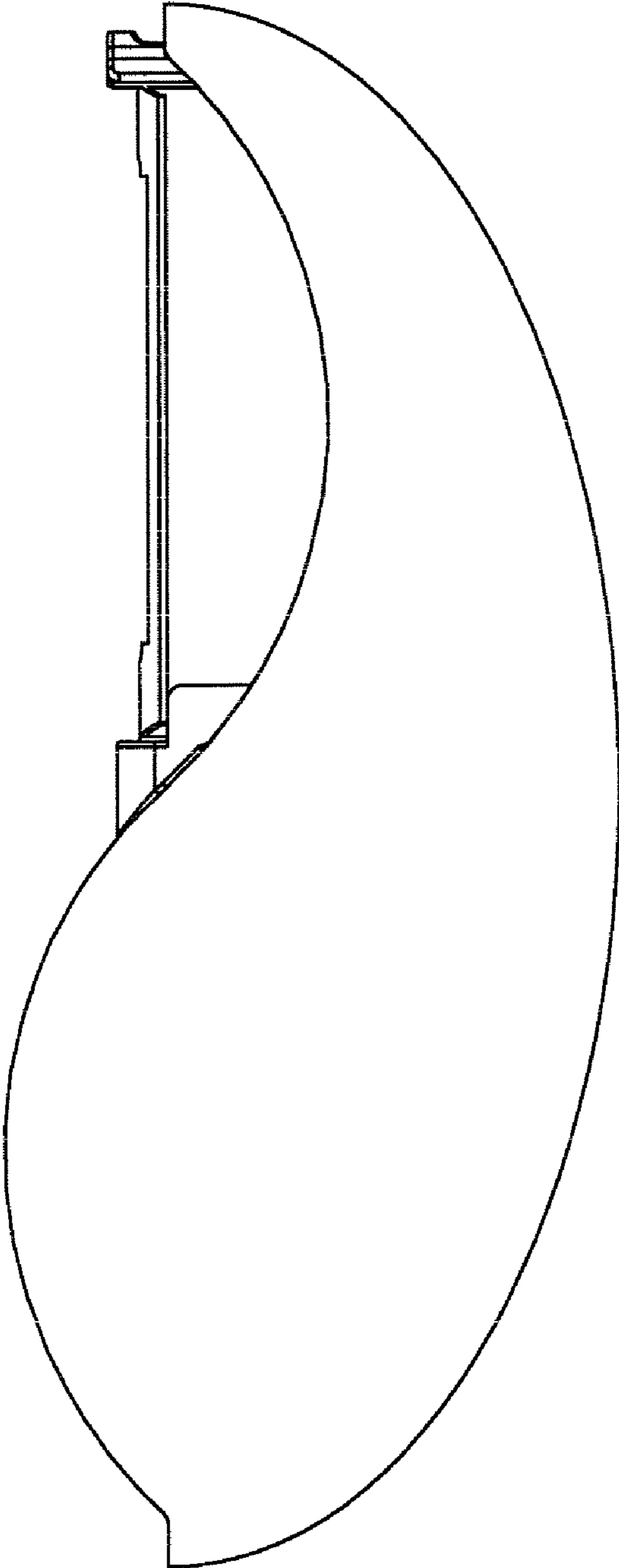


FIG. 16

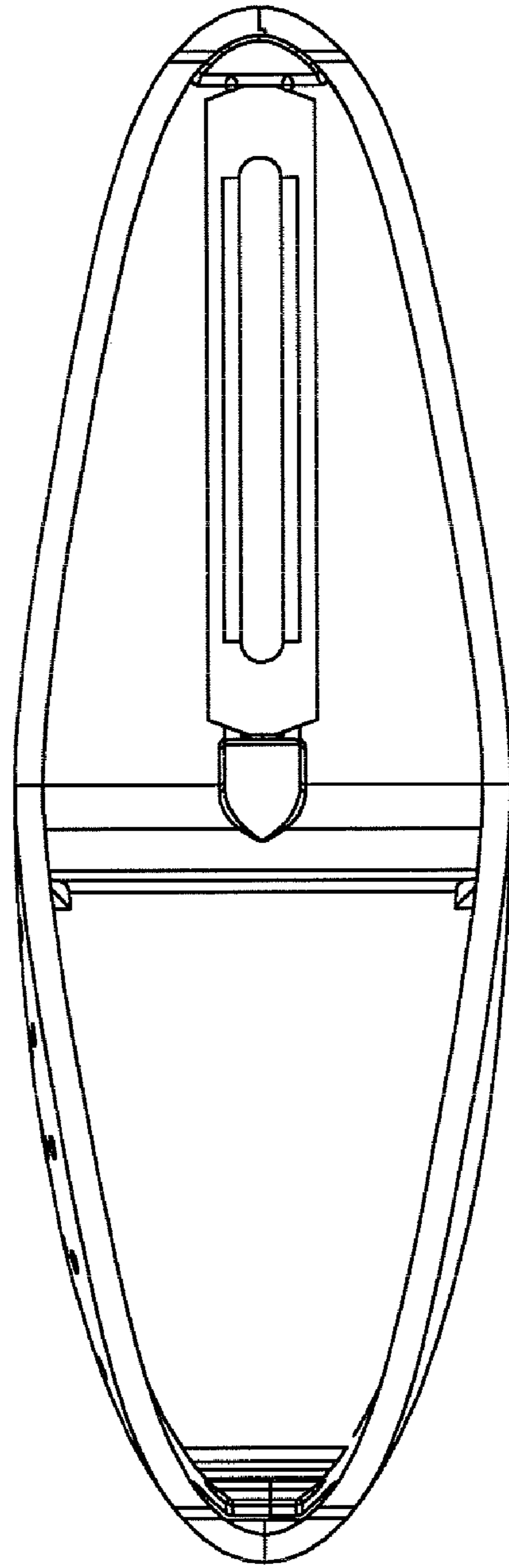


Fig. 17

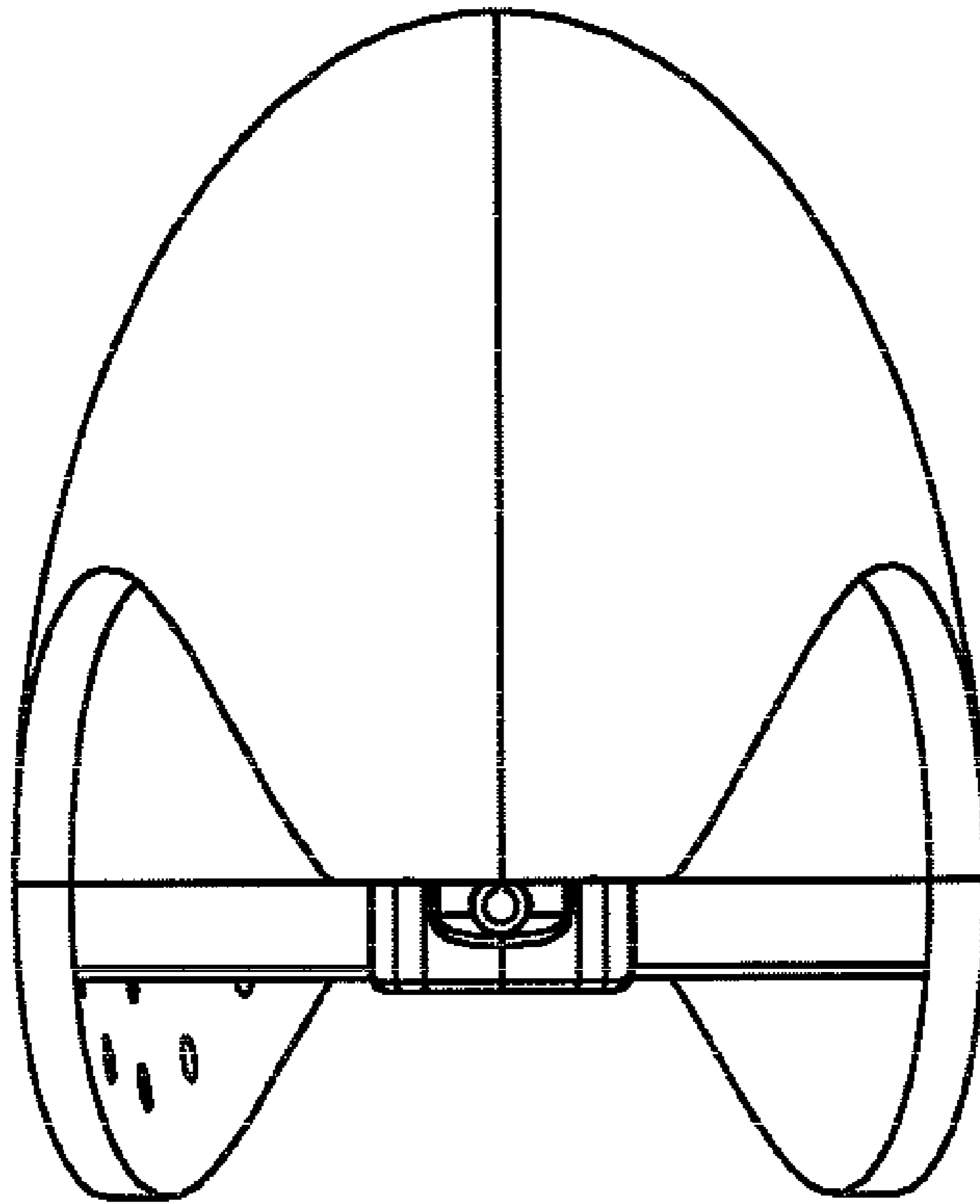


Fig. 18

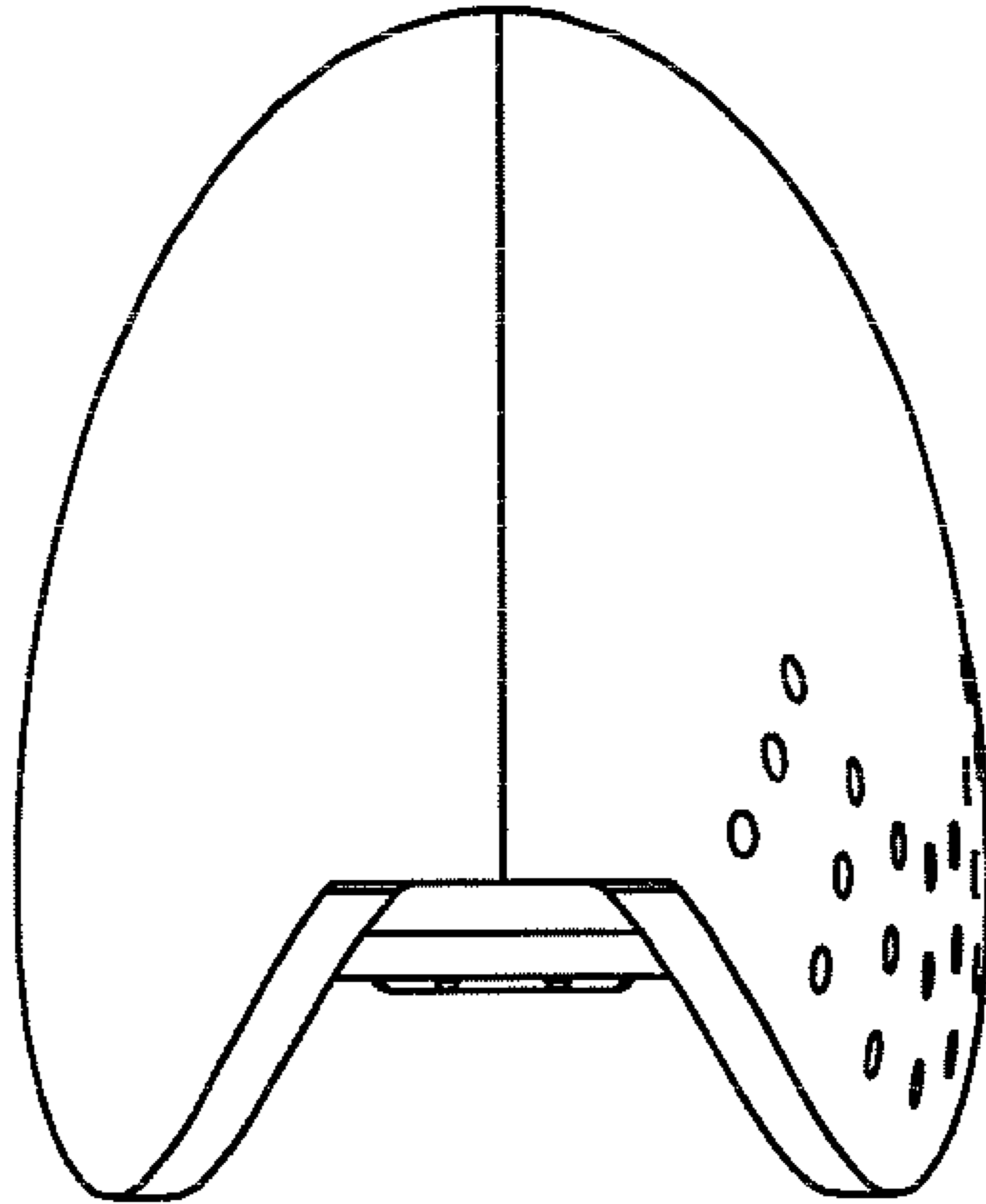


Fig. 19

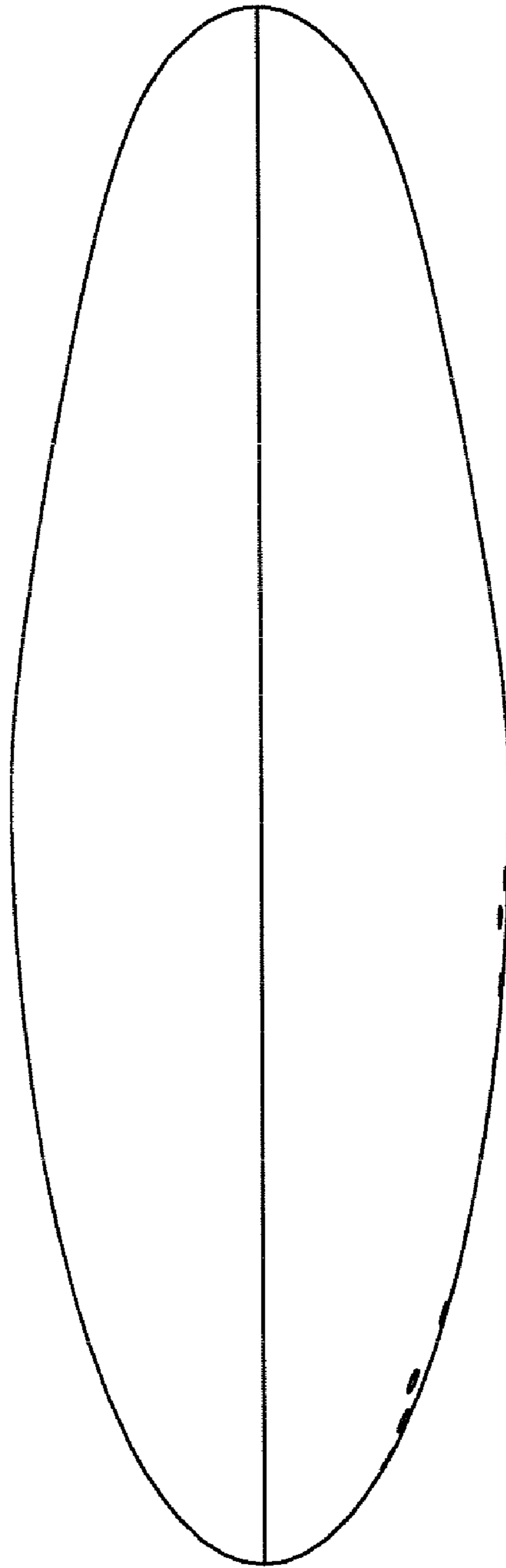


Fig. 20

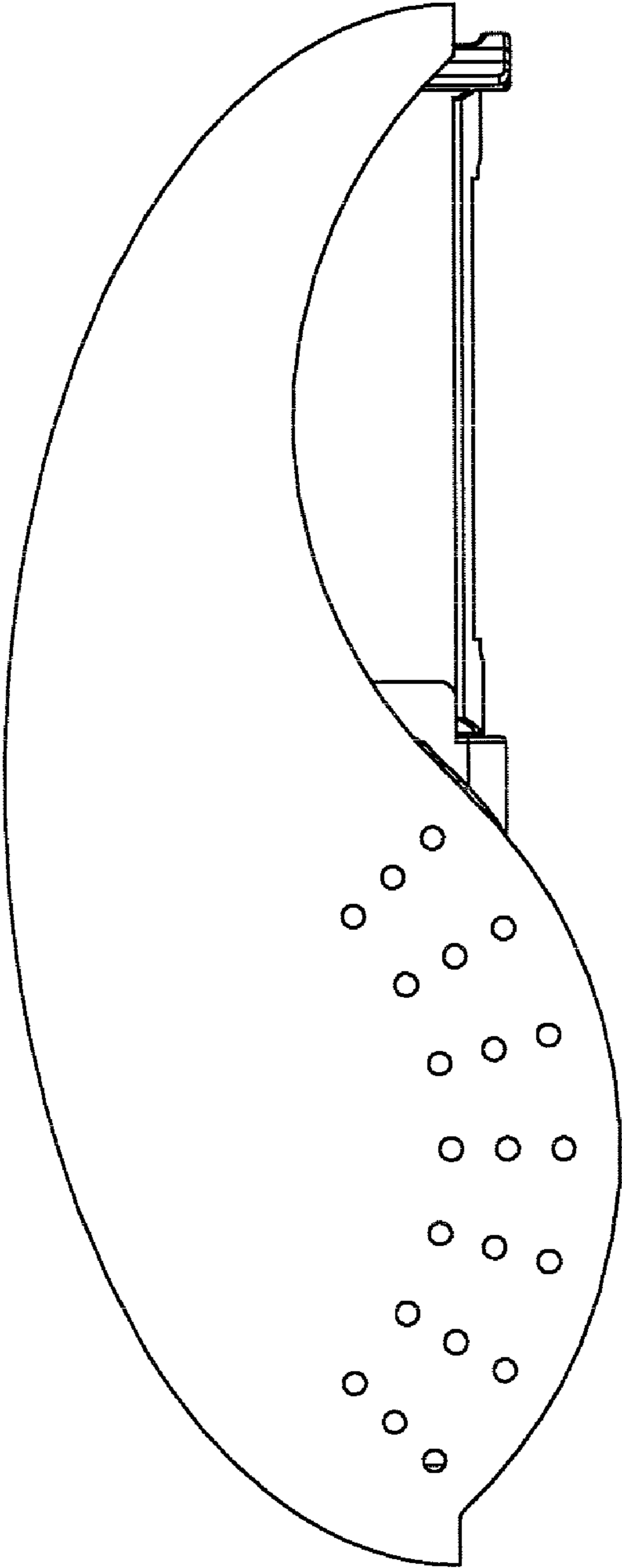


Fig. 21

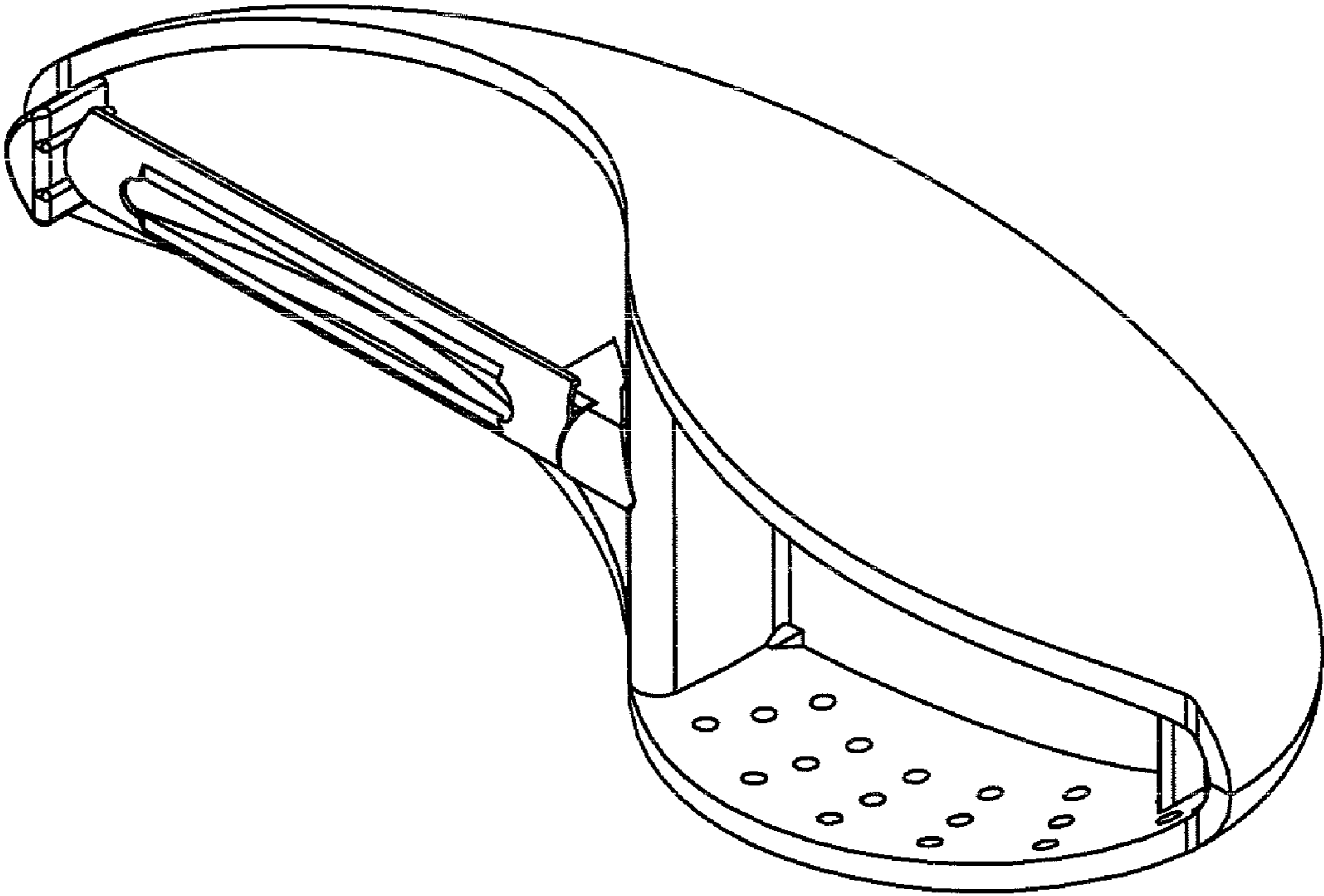


Fig. 22