



US00D596466S

(12) **United States Design Patent**  
**Blier et al.**

(10) **Patent No.:** **US D596,466 S**  
(45) **Date of Patent:** **\*\* Jul. 21, 2009**

(54) **VEGETABLE AND/OR FRUIT HOLDER FOR FACILITATING PEELING THEREOF**

(76) Inventors: **Barry J. Blier**, 152 Crompton Ave., Unit 13, East Greenwich, RI (US) 02618;  
**Norman Blier**, 152 Crompton Ave., Unit 13, East Greenwich, RI (US) 02618

(\*\*) Term: **14 Years**

(21) Appl. No.: **29/325,972**

(22) Filed: **Oct. 9, 2008**

(51) **LOC (9) Cl.** ..... **07-04**

(52) **U.S. Cl.** ..... **D7/683**

(58) **Field of Classification Search** ..... D7/680–696,  
D7/669; 294/1.1, 61, 66.1, 282.1

See application file for complete search history.

(56) **References Cited**

U.S. PATENT DOCUMENTS

2,360,250	A *	10/1944	Mallard	.....	249/66.1
2,707,651	A *	5/1955	Ott	.....	294/61
3,596,966	A *	8/1971	Shredl	.....	294/61
D225,889	S *	1/1973	Scholes	.....	D7/669
4,250,771	A *	2/1981	Berler	.....	294/61
D307,228	S *	4/1990	Borner	.....	D7/683
5,193,871	A *	3/1993	Williams	.....	294/61
5,261,496	A *	11/1993	Smotherman	.....	294/61
D497,293	S *	10/2004	Cheng et al.	.....	D7/683
D505,842	S *	6/2005	Harris et al.	.....	D7/683

\* cited by examiner

Primary Examiner—Terry A Wallace

(74) Attorney, Agent, or Firm—Salter & Michaelson

(57) **CLAIM**

The ornamental design for a vegetable and/or fruit holder for facilitating peeling thereof, as shown and described.

**DESCRIPTION**

FIG. 1 is a perspective view of a vegetable and/or fruit holder for facilitating peeling thereof showing our new design;

FIG. 2 is a side elevational view thereof;

FIG. 3 is an elevational view of the opposite side;

FIG. 4 is a front elevational view thereof;

FIG. 5 is a rear elevational view thereof;

FIG. 6 is a top plan view thereof;

FIG. 7 is a bottom plan view thereof;

FIG. 8 is an exploded perspective view showing the components of our design in disassembled relation;

FIG. 9 is a fragmented side elevational view showing the upper portion of our design with the ring member mounted so as to assume its uppermost position;

FIG. 10 is a fragmented side elevational view showing the upper portion of our design with the ring member mounted so as to assume its lowermost position;

FIG. 11 is a perspective view showing our design being held in position above a vegetable;

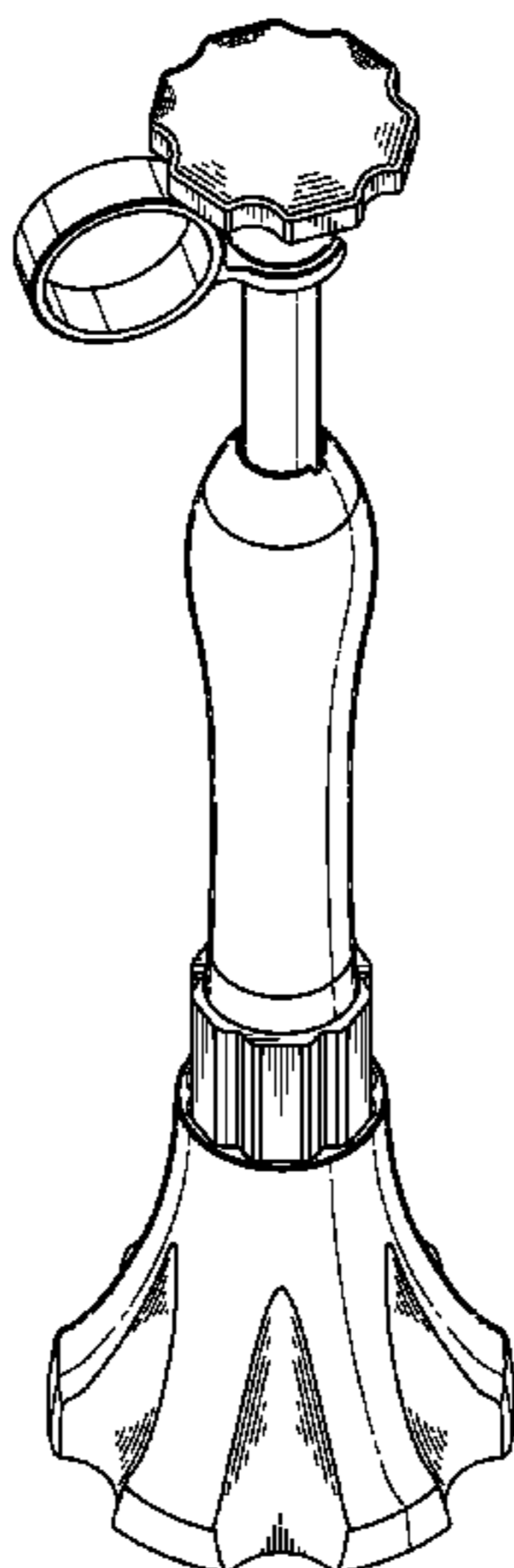
FIG. 12 is a perspective view showing our design being held in one hand with the prongs forced into a vegetable, and with a peeler being held in the operator's other hand;

FIG. 13 is a perspective view showing our design after the peeling operation has been completed; and,

FIG. 14 is a perspective view showing our design after the internal plunger thereof has been forced downwardly to dislodge the peeled vegetable from the prongs.

The portions shown in broken lines in FIGS. 11–14 are for illustrative purposes only and form no part of the claimed design.

**1 Claim, 10 Drawing Sheets**



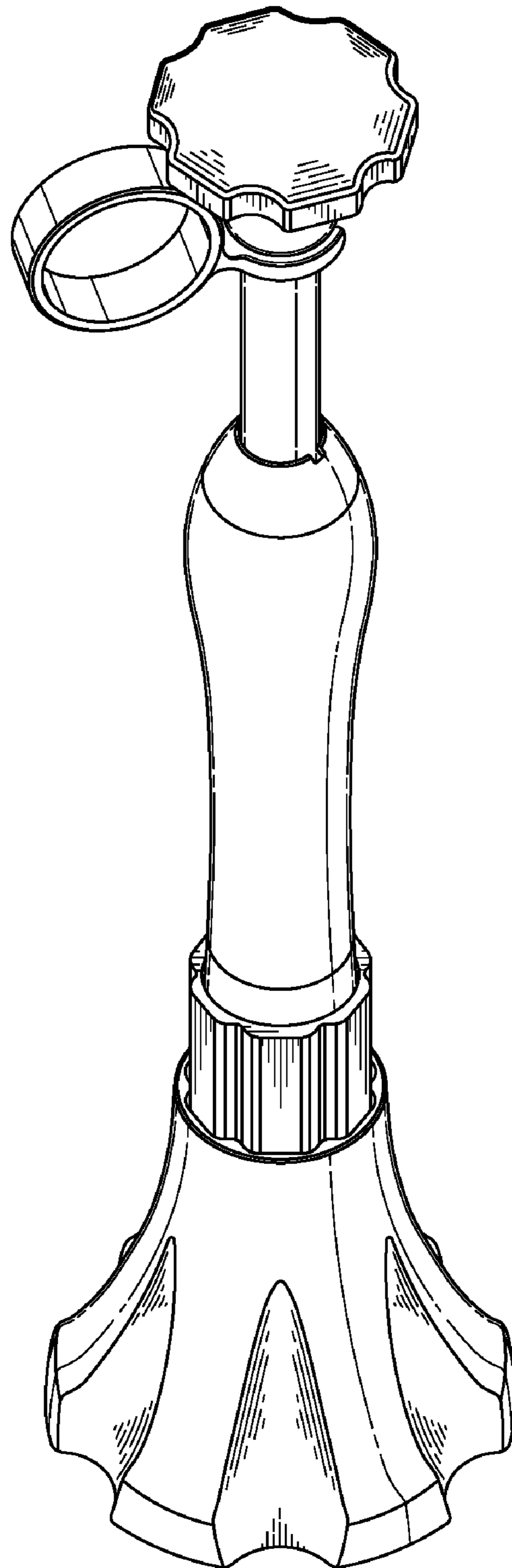


FIG. 1



FIG. 2

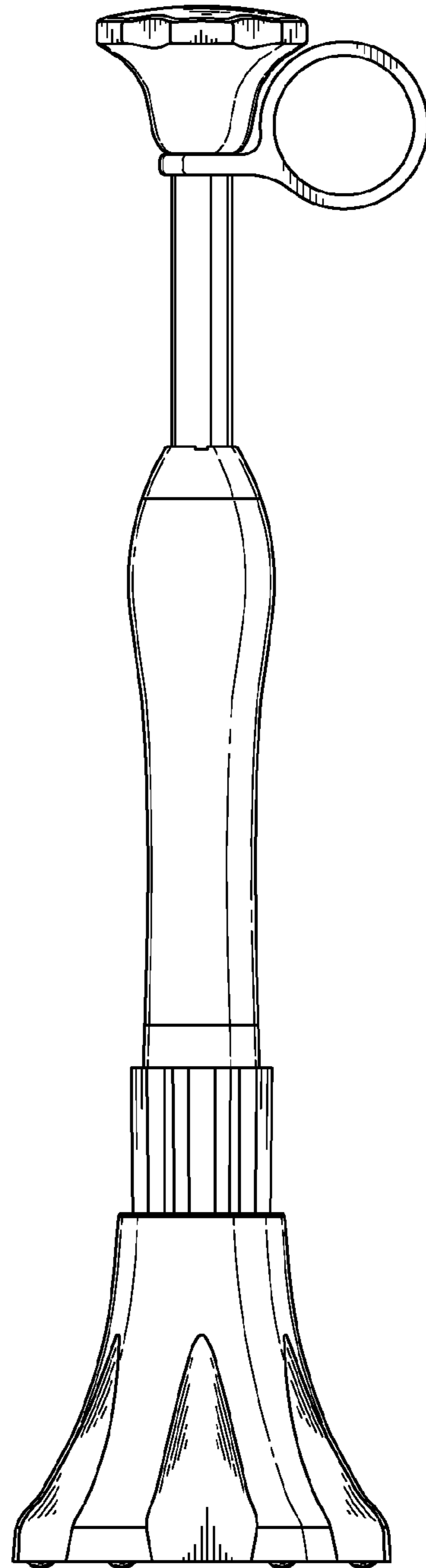


FIG. 3

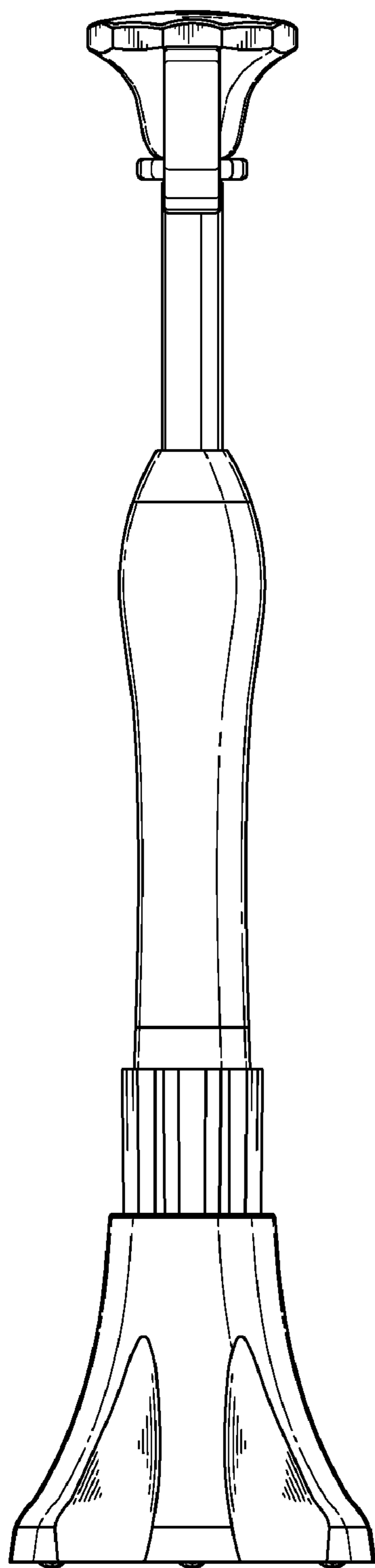


FIG. 4

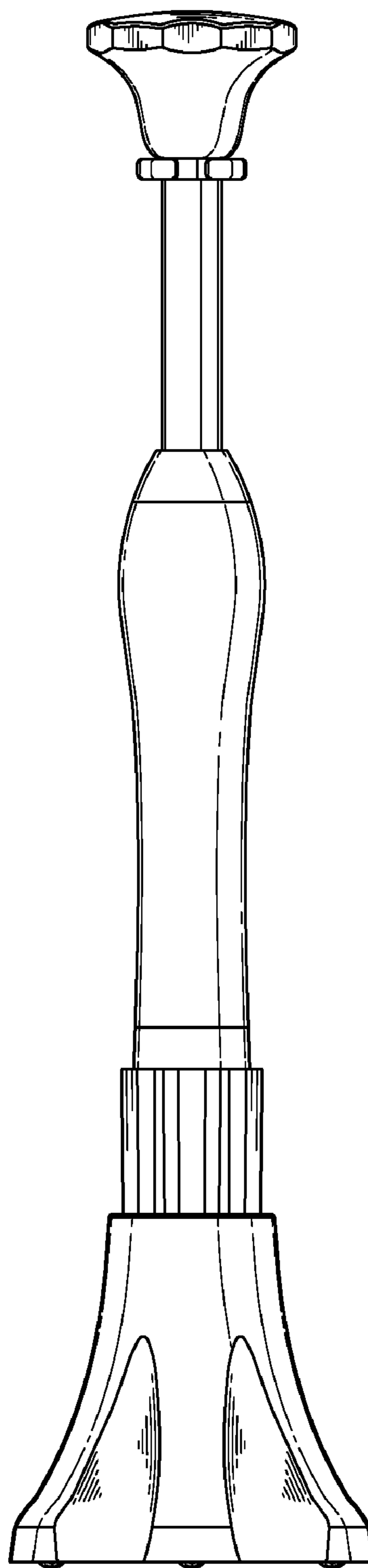


FIG. 5

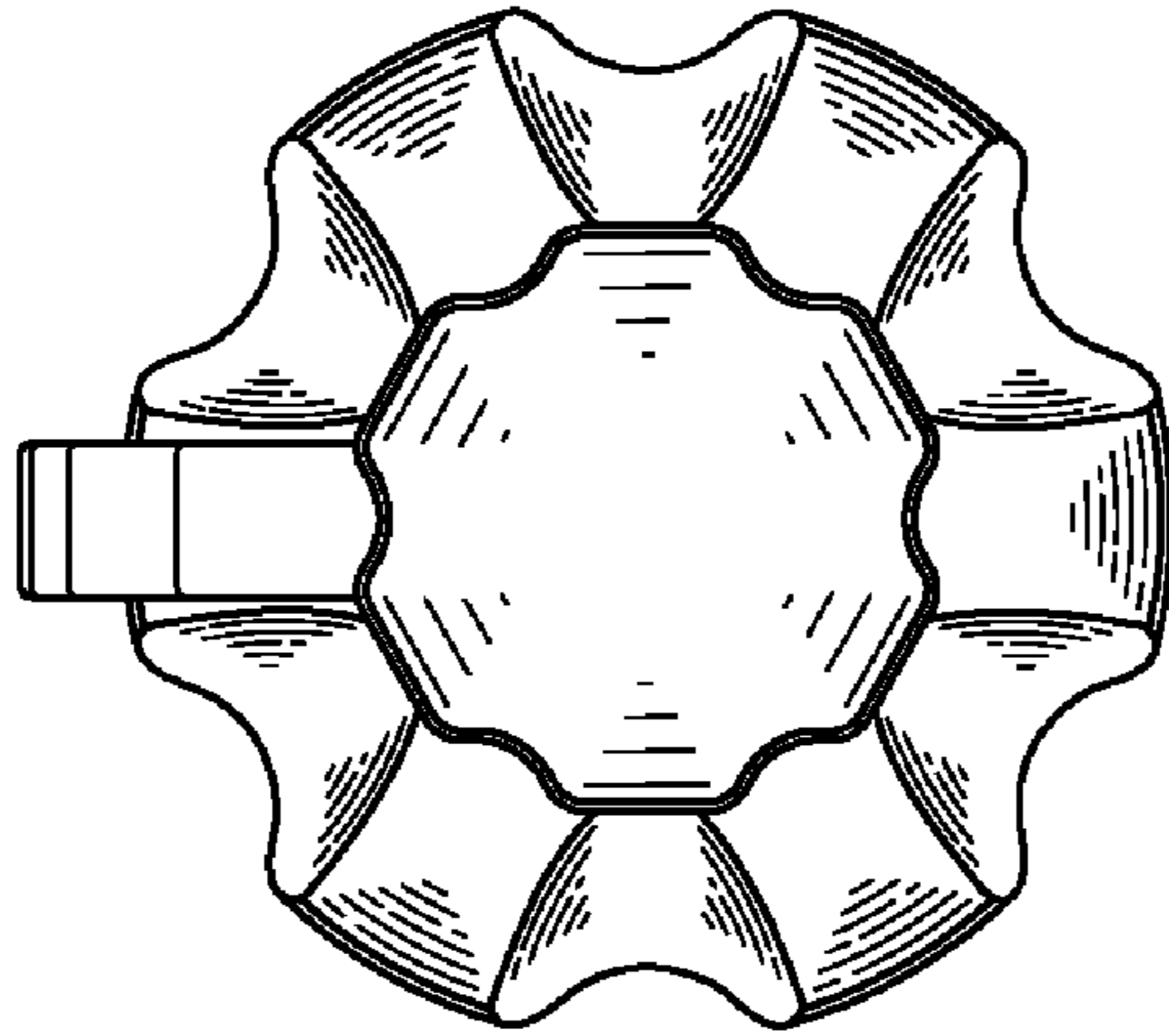


FIG. 6

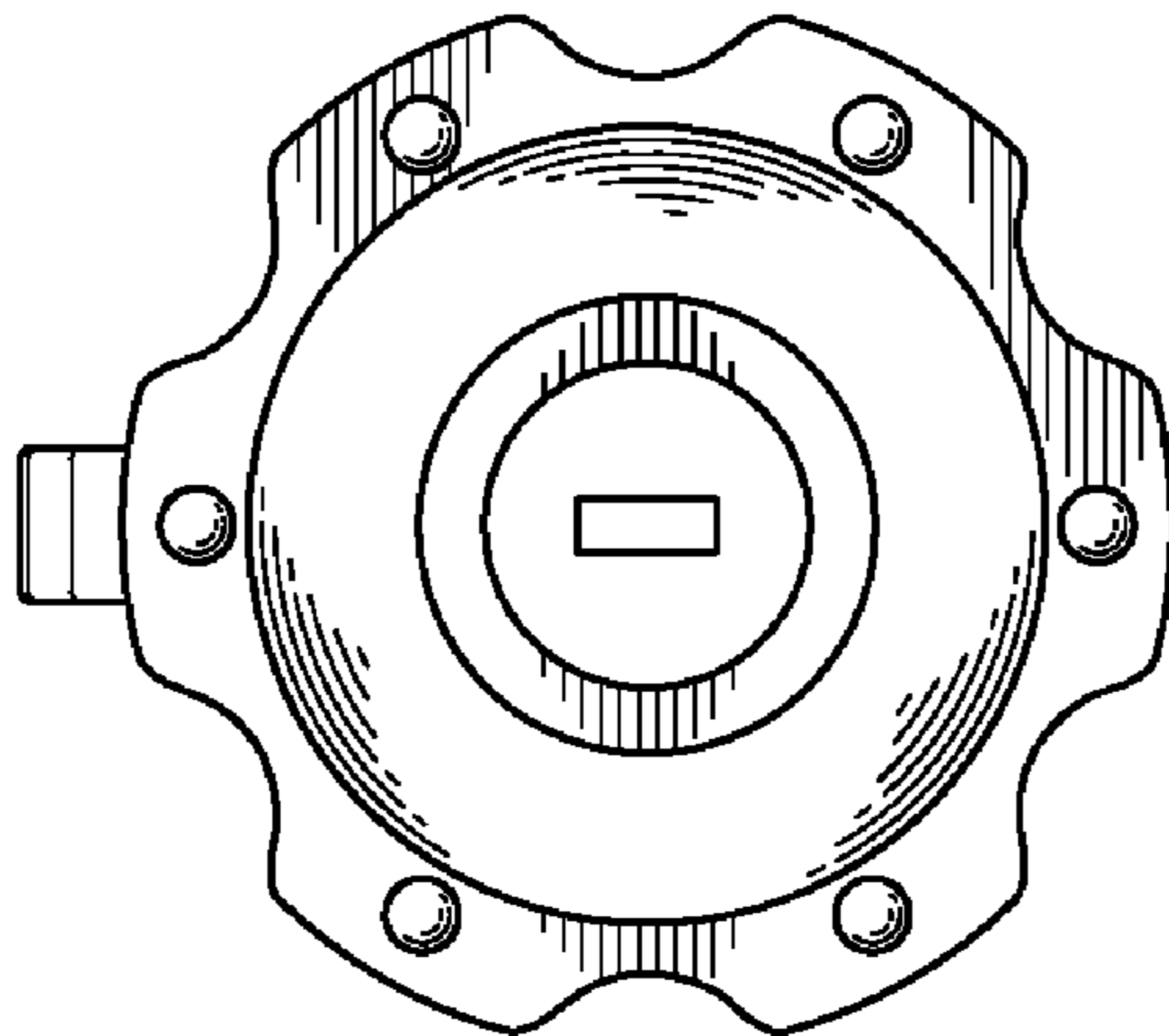


FIG. 7

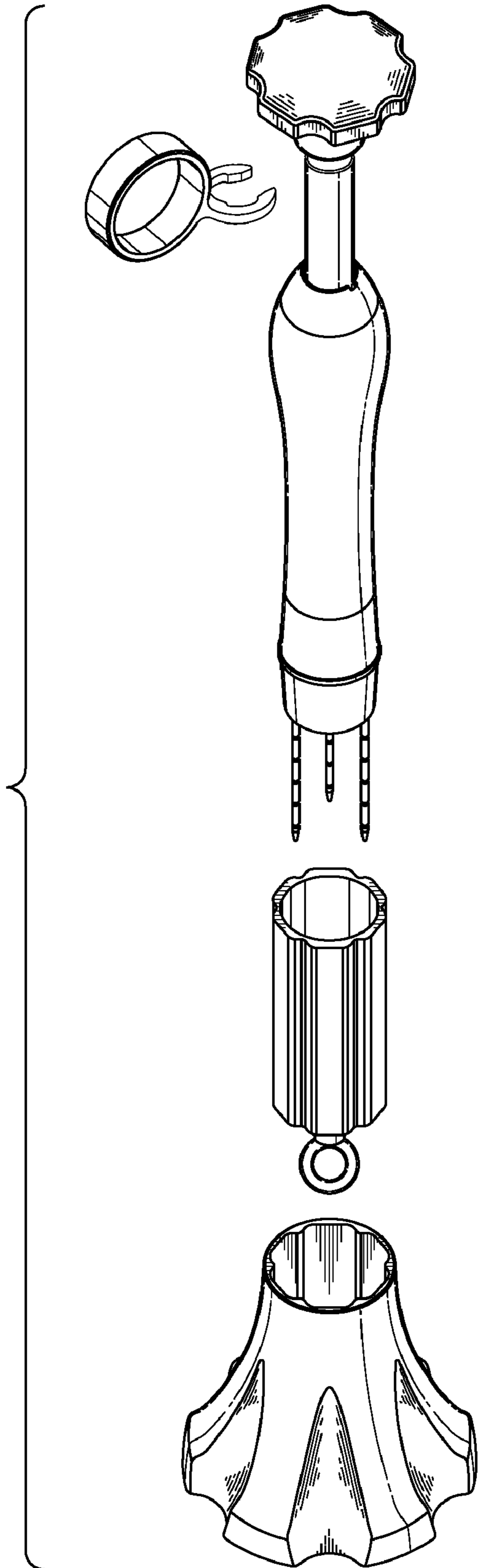


FIG. 8

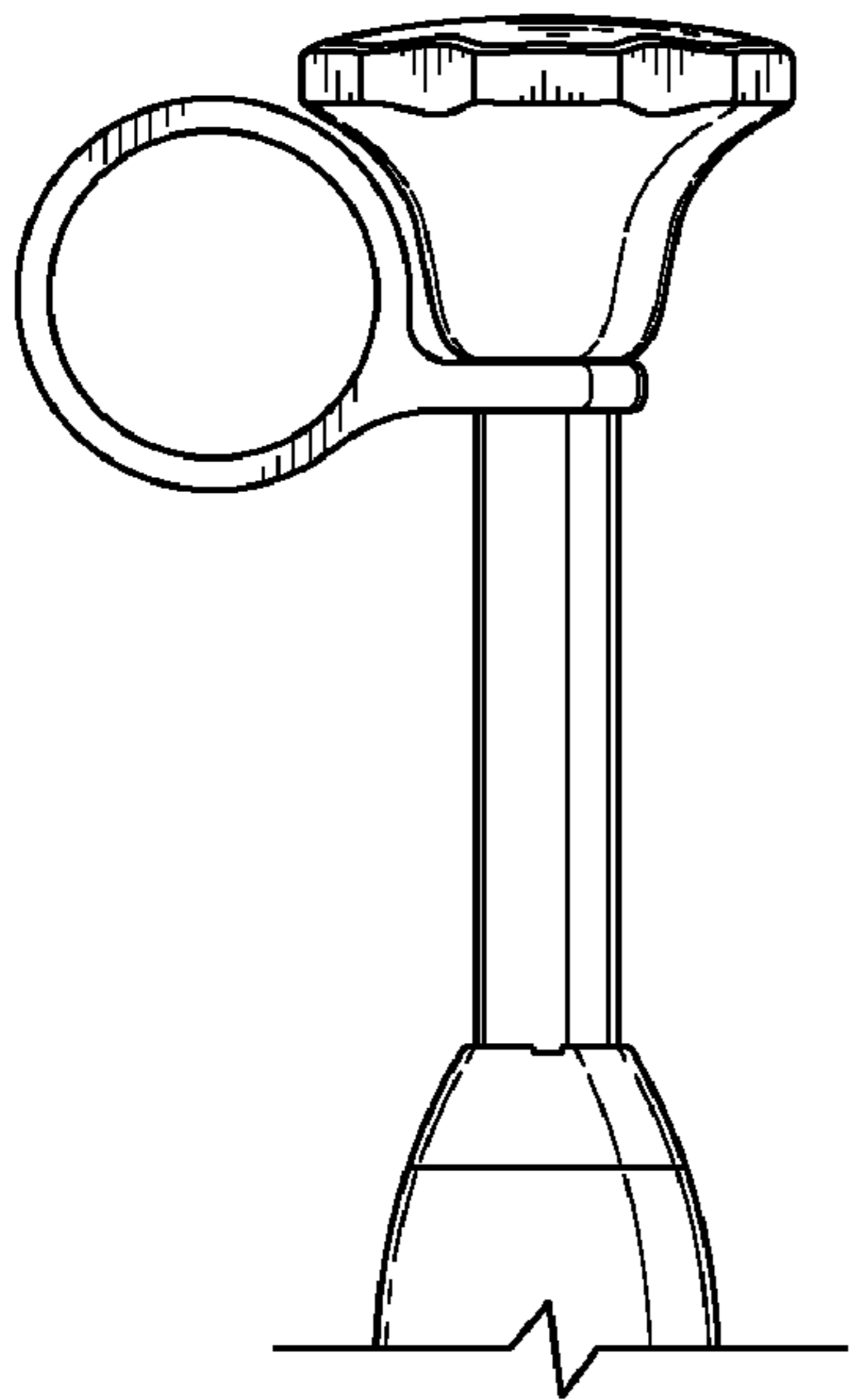


FIG. 9

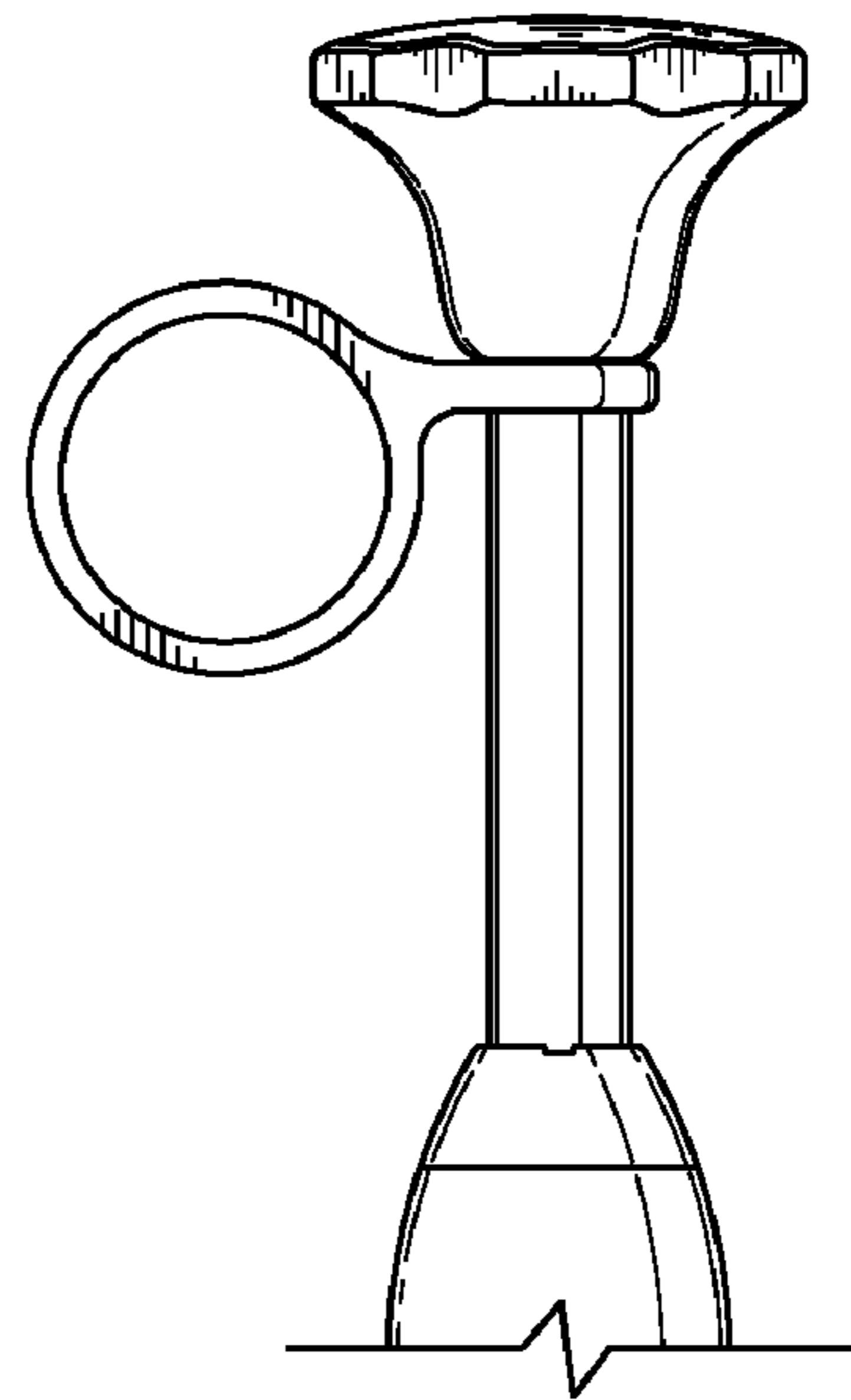


FIG. 10



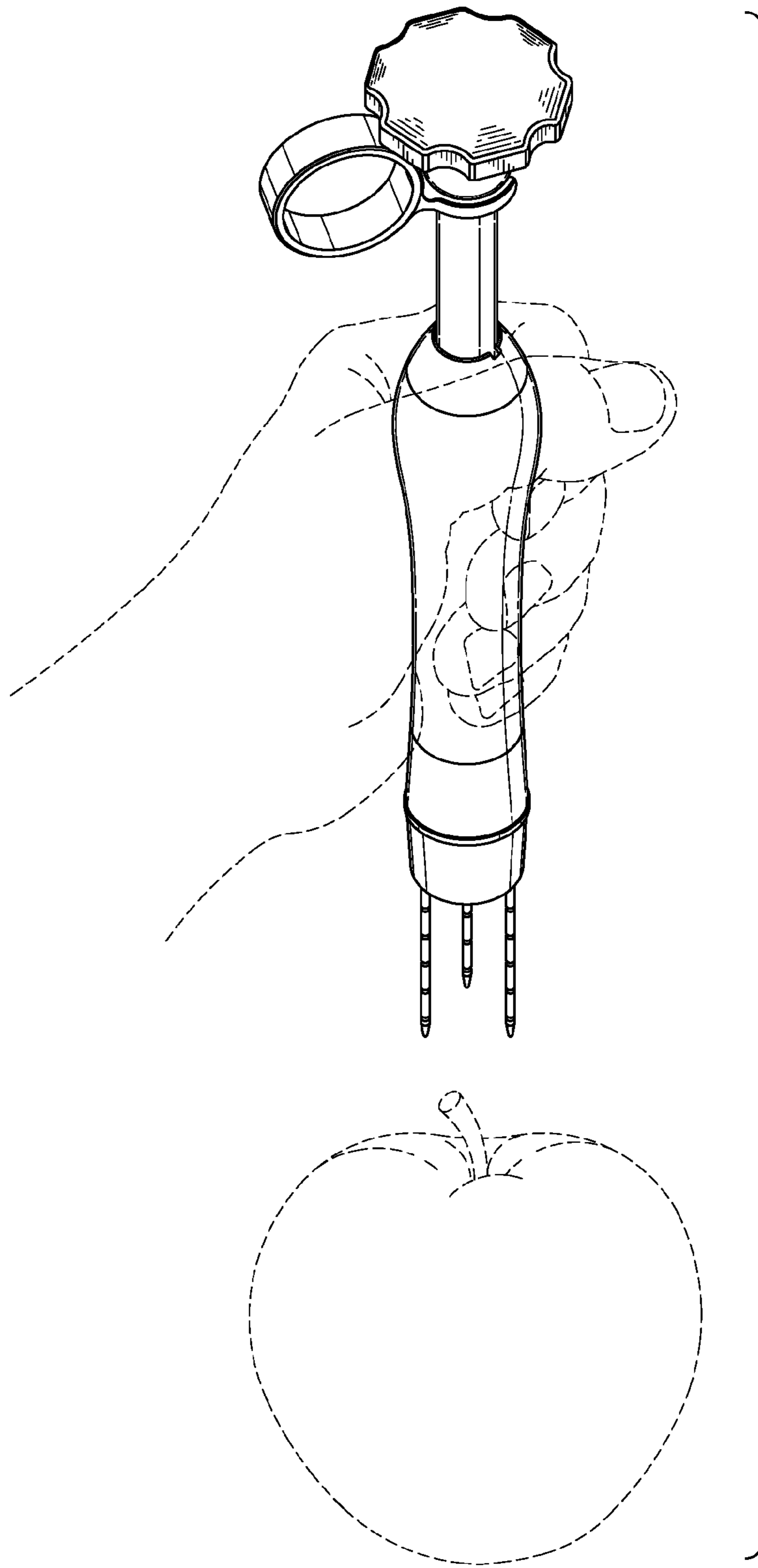


FIG. 11



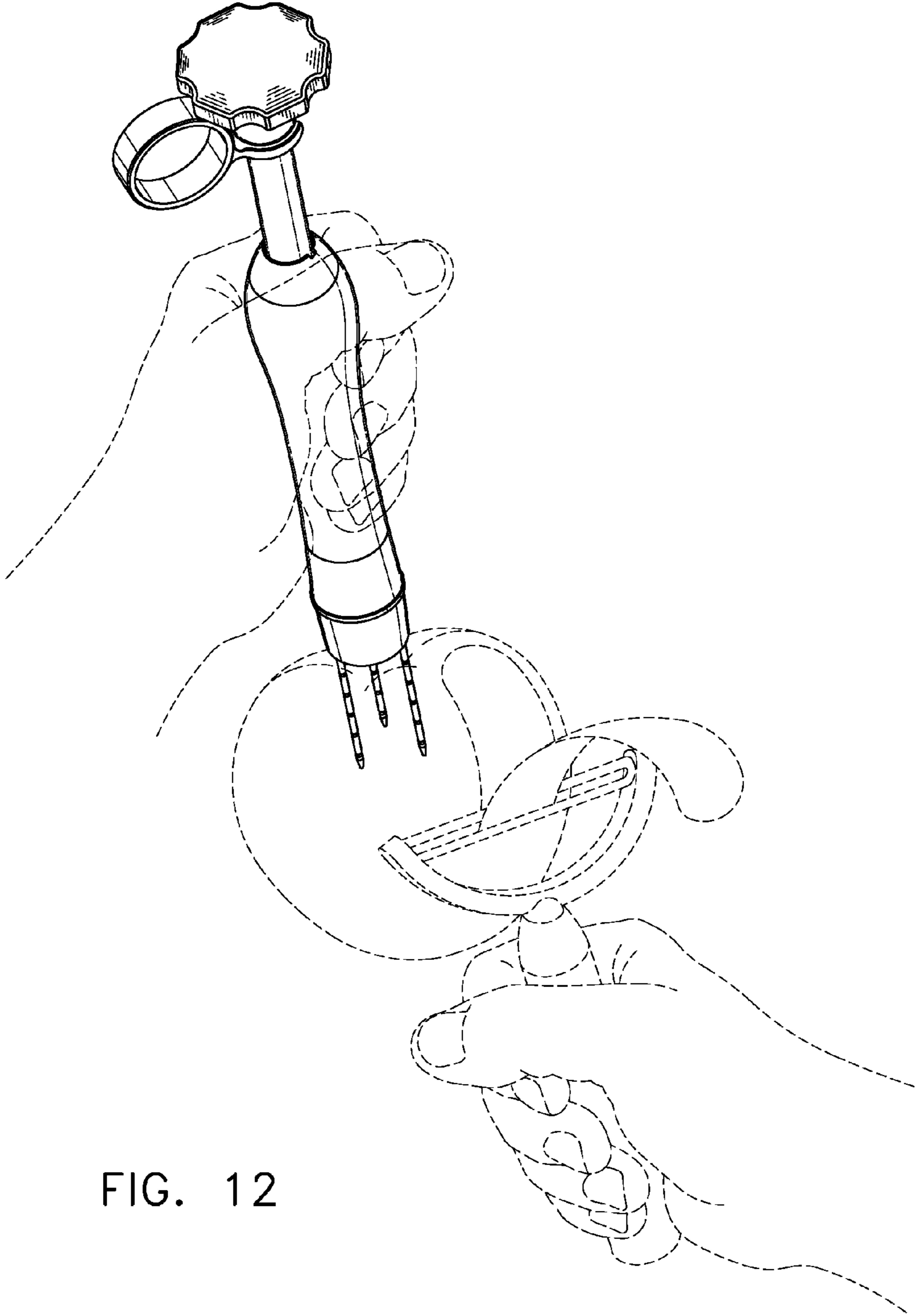


FIG. 12

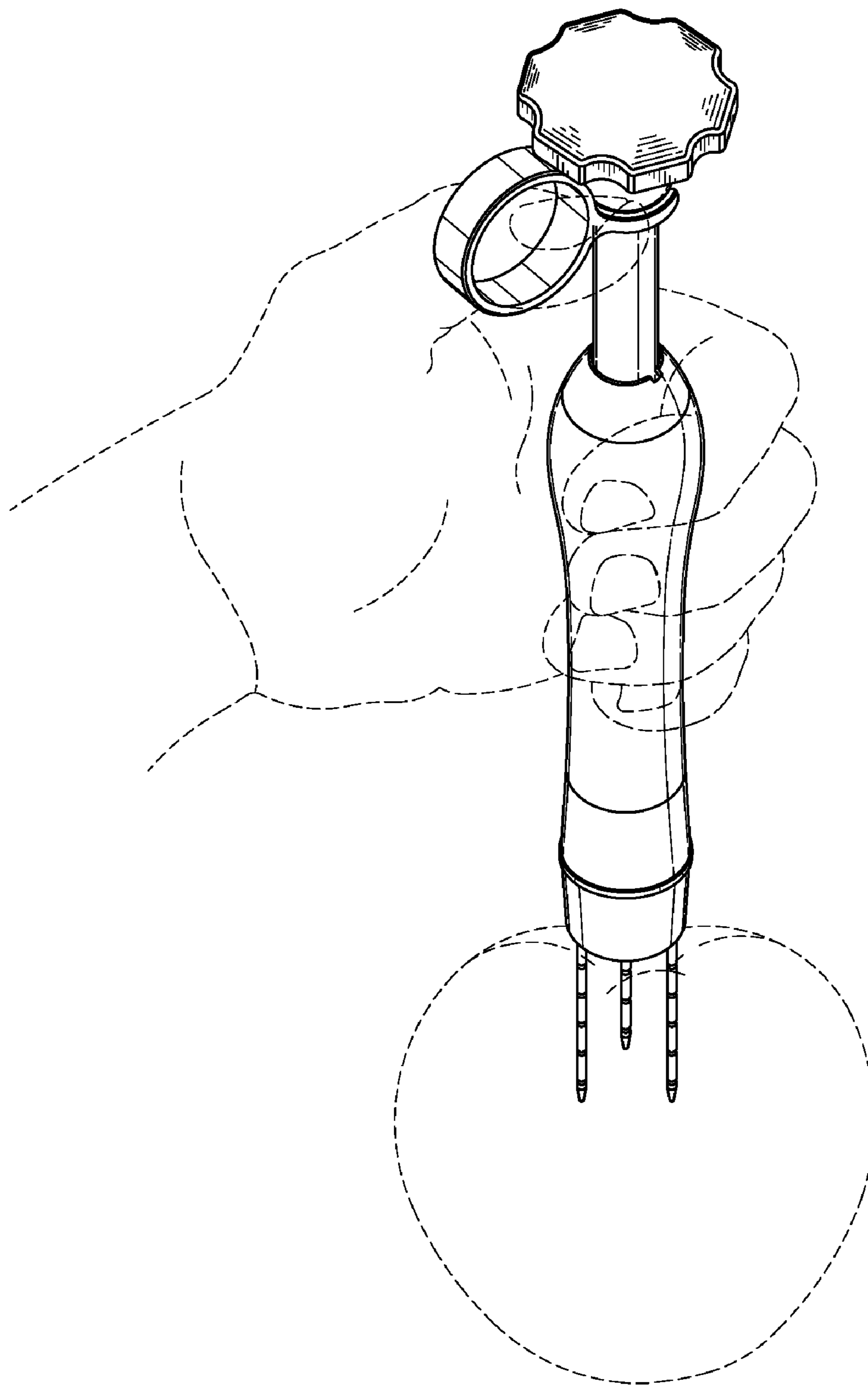


FIG. 13

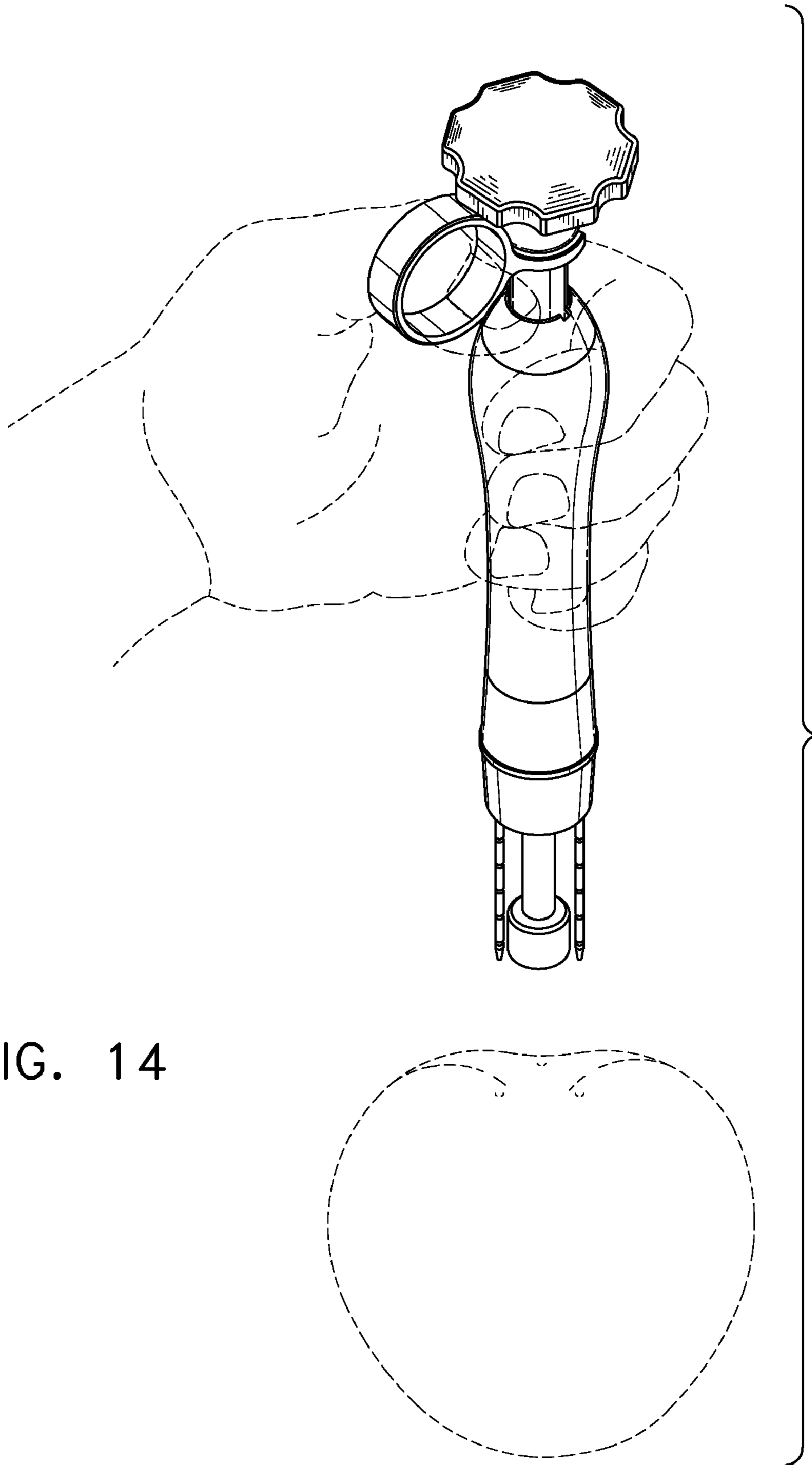


FIG. 14