



US00D596462S

(12) **United States Design Patent**
Serruya et al.

(10) **Patent No.:** **US D596,462 S**
(45) **Date of Patent:** **** Jul. 21, 2009**

(54) **TUMBLER**

(76) Inventors: **Thierry Serruya**, 138 Rue St-Pierre, St. Thérèse, Quebec (CA) J7E 2S4; **David Putterman**, 174 Merizzi, St-Laurent, Quebec (CA) H4T 1S4

(**) Term: **14 Years**

(21) Appl. No.: **29/267,632**

(22) Filed: **Oct. 18, 2006**

(51) **LOC (9) Cl.** **07-01**

(52) **U.S. Cl.** **D7/515; D7/517; D7/510**

(58) **Field of Classification Search** D7/509-516, D7/901, 900, 517, 625; 215/371, 396, 398, 215/13.1; 220/916, 560; D9/451, 632
See application file for complete search history.

(56) **References Cited**

U.S. PATENT DOCUMENTS

D250,444 S *	12/1978	Danat et al.	D7/515
D289,694 S *	5/1987	Pickett, Jr.	D26/51
D327,817 S *	7/1992	Paullin	D7/515
D330,857 S *	11/1992	Kidd	D9/451
D337,242 S *	7/1993	Steinfels, III	D7/623
D344,659 S *	3/1994	Hsu	D7/613
D349,216 S *	8/1994	Steinfels, III	D7/623
D363,855 S *	11/1995	Van Blankenburg	D7/515
5,511,685 A *	4/1996	Nelson	220/662
D369,529 S *	5/1996	Blankenburg et al.	D7/625
D370,836 S *	6/1996	Van Blankenburg	D7/625

D379,023 S *	4/1997	August	D99/37
D399,393 S *	10/1998	Steinfels	D7/515
D405,318 S *	2/1999	Steinfels	D7/515
D419,449 S *	1/2000	Adams	D9/451
D428,309 S *	7/2000	Schlotthauer	D7/625
D440,823 S *	4/2001	Steinfels	D7/515
D441,255 S *	5/2001	Steinfels	D7/515
D441,607 S *	5/2001	Steinfels	D7/515
D471,060 S *	3/2003	Salsman	D7/392.1
D507,181 S *	7/2005	Malik	D9/451
D532,172 S *	11/2006	Gianfrisco	D34/4
D547,516 S *	7/2007	Wolford et al.	D34/4
D562,627 S *	2/2008	McDonald	D7/398
D566,461 S *	4/2008	McDonald	D7/398
D586,621 S *	2/2009	Thompson	D7/515

* cited by examiner

Primary Examiner—Marianne Pandozzi

(74) *Attorney, Agent, or Firm*—Amster, Rothstein & Ebenstein LLP

(57) **CLAIM**

The ornamental design for a tumbler, as shown and described.

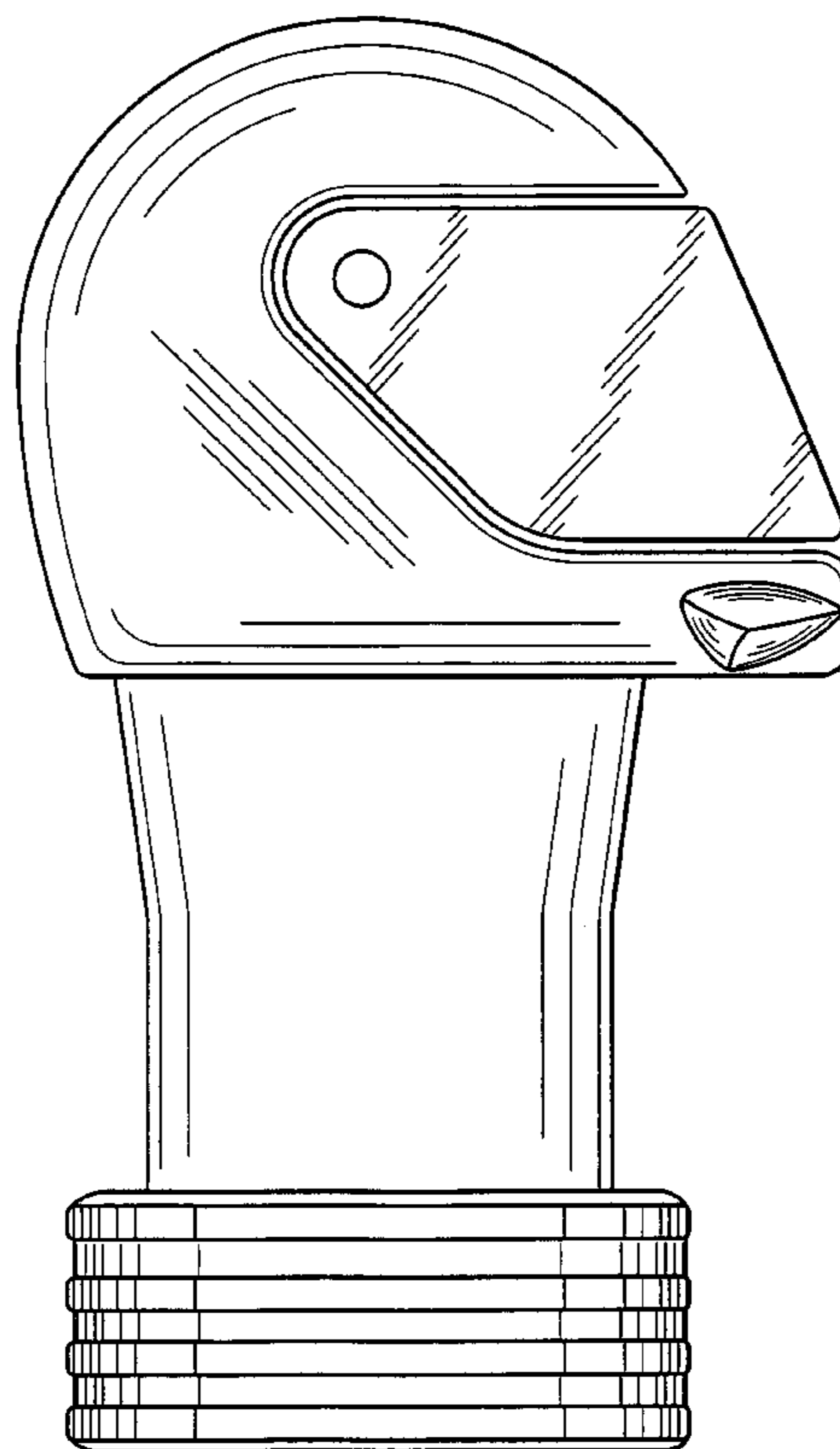
DESCRIPTION

FIG. 1 is a perspective view of a tumbler showing our new design;

FIG. 2 is a side elevational view, the opposite side being a mirror image thereof; and,

FIG. 3 is a front view of the tumbler of FIG. 1.

1 Claim, 3 Drawing Sheets



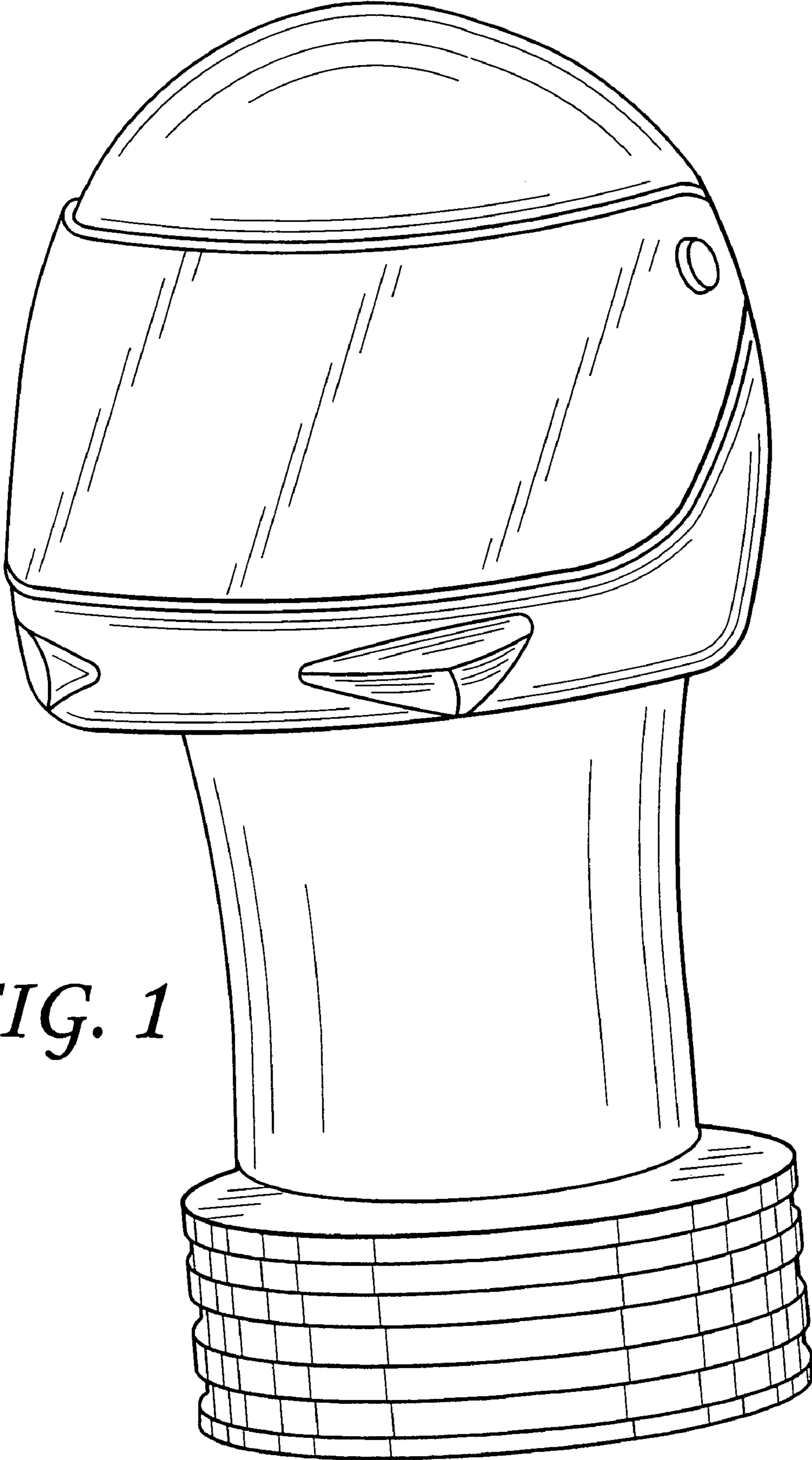


FIG. 1

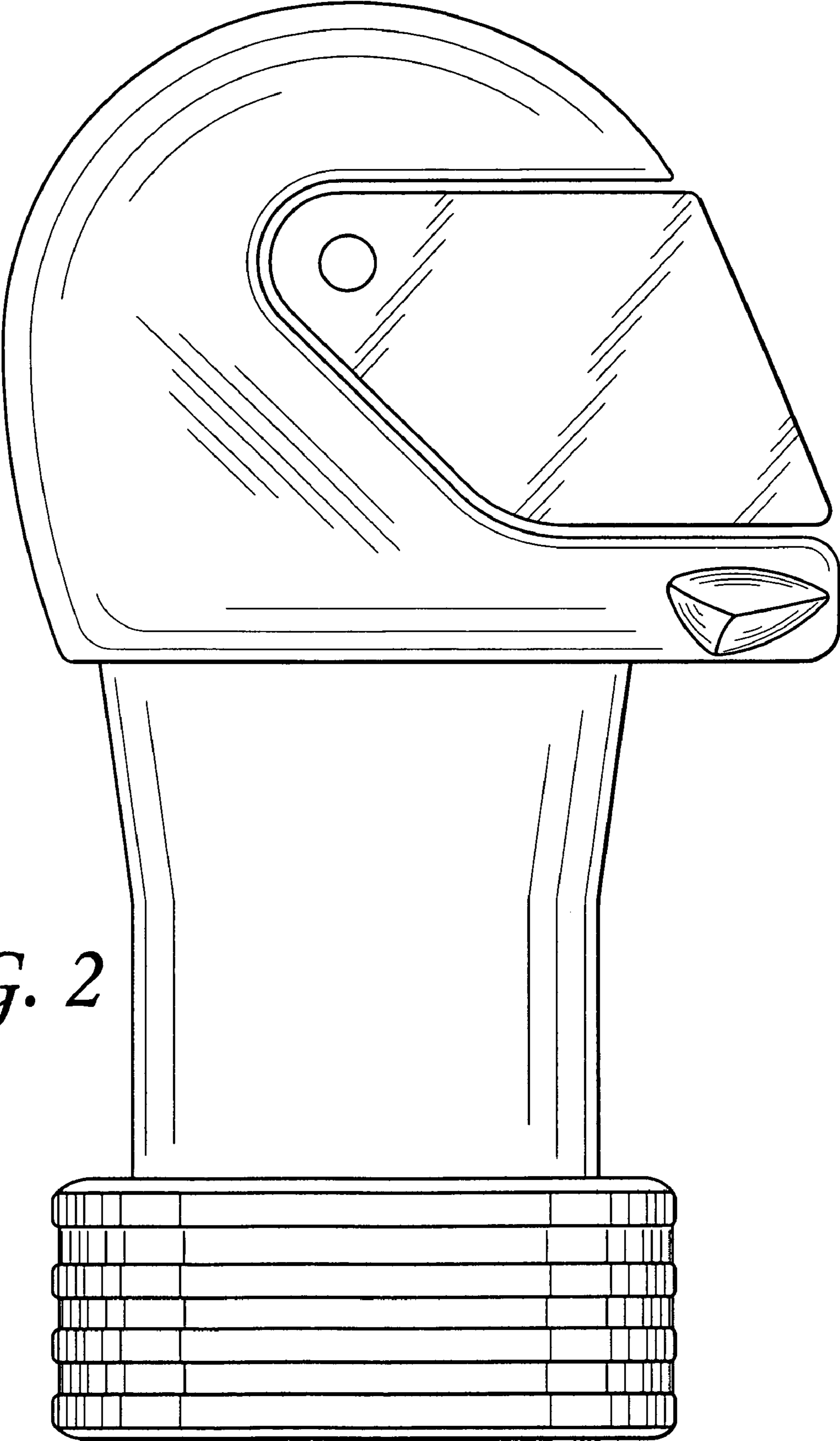


FIG. 2

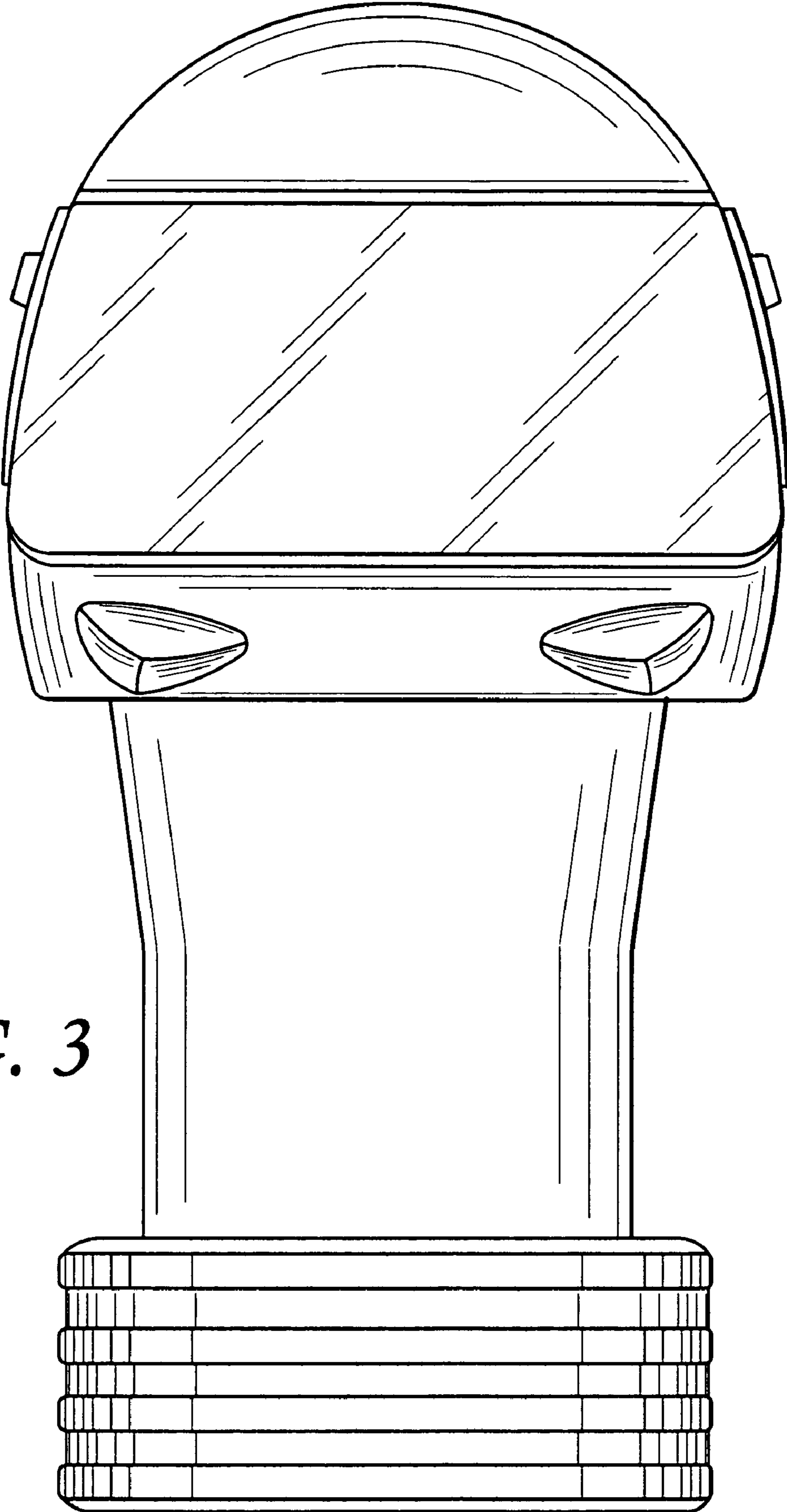


FIG. 3