



US00D596461S

(12) **United States Design Patent**
Mansfield et al.

(10) **Patent No.:** **US D596,461 S**
(45) **Date of Patent:** **** Jul. 21, 2009**

(54) **DRINKING CUP**

(75) Inventors: **Bryan D. Mansfield**, Myakka City, FL (US); **Ricky R. Lambert**, Sarasota, FL (US)

(73) Assignee: **Hurricane Shooters, LLC**, Bradenton, FL (US)

(**) Term: **14 Years**

(21) Appl. No.: **29/320,949**

(22) Filed: **Jul. 8, 2008**

Related U.S. Application Data

(63) Continuation-in-part of application No. 29/282,360, filed on Jul. 17, 2007, now Pat. No. Des. 572,533, which is a continuation-in-part of application No. 11/294,640, filed on Dec. 5, 2005, which is a continuation-in-part of application No. 11/255,572, filed on Oct. 21, 2005, now Pat. No. 7,243,812.

(51) **LOC (9) Cl.** **07-01**

(52) **U.S. Cl.** **D7/513; D7/509; D7/523**

(58) **Field of Classification Search** D7/500, D7/509, 513, 523, 396.2, 510, 524, 526-528, D7/530-532, 540, 565, 584; D9/500, 502, D9/516, 519, 549, 555, 776, 778; D30/130; 215/DIG. 7, 10, 387; 220/495.04, 560, 592.16, 220/592.17, 703, 507; 226/406; 229/400; 383/110; D24/121

See application file for complete search history.

(56) **References Cited**

U.S. PATENT DOCUMENTS

1,009,406 A * 11/1911 Graham 220/592.17
1,168,027 A * 1/1916 Nirdinger 73/426
D99,531 S * 5/1936 Sterling D7/513
D105,812 S * 8/1937 Siekert D30/130
D122,576 S * 9/1940 Steinhilber D7/557
3,781,164 A * 12/1973 McCaffery 431/291

D360,112 S * 7/1995 McEntee D7/584
6,179,153 B1 * 1/2001 Huang 220/553
D471,404 S * 3/2003 Gady D7/523
D488,741 S * 4/2004 Moya D11/143
D527,224 S * 8/2006 Roth et al. D7/540
D534,768 S * 1/2007 Mansfield D7/513
D539,091 S * 3/2007 Mansfield D7/513
D543,664 S * 5/2007 Farrell D30/121
D555,979 S * 11/2007 Mansfield et al. D7/523
D556,511 S * 12/2007 Mansfield et al. D7/523
D562,074 S * 2/2008 Mansfield D7/523
2006/0021986 A1 * 2/2006 Mansfield et al. 220/506

* cited by examiner

Primary Examiner—Robert M Spear

Assistant Examiner—Cynthia Underwood

(74) *Attorney, Agent, or Firm*—Mark Douma

(57) **CLAIM**

We claim the ornamental design for a drinking cup, as shown and described.

DESCRIPTION

FIG. 1 is a top view of a drinking cup showing our new design;

FIG. 2 is a bottom view thereof;

FIG. 3 is a side elevation view thereof, all other sides being the same;

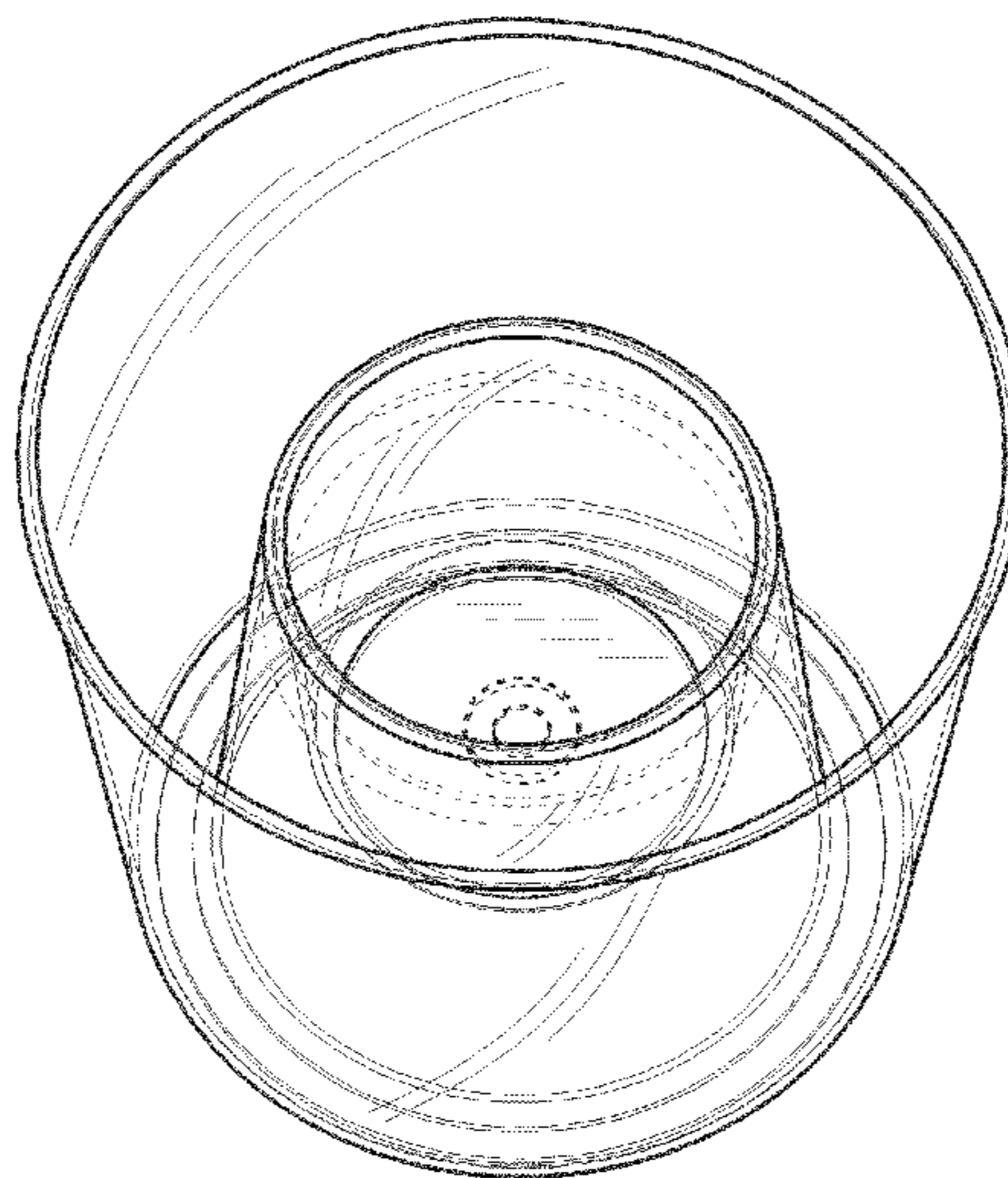
FIG. 4 is a sectional view thereof taken along line 4—4 of FIG. 1;

FIG. 5 is a top and side perspective view thereof; and,

FIG. 6 is a bottom and side perspective view thereof.

The broken lines in FIGS. 1-4 surrounding an upward protrusion from the bottom of the inner cup and also a lower portion of the material between the two inner walls above the notch are included for the purpose of illustrating environment only and form no part of the claimed design. The oblique line surface treatment indicates that the article may be either transparent or translucent.

1 Claim, 3 Drawing Sheets



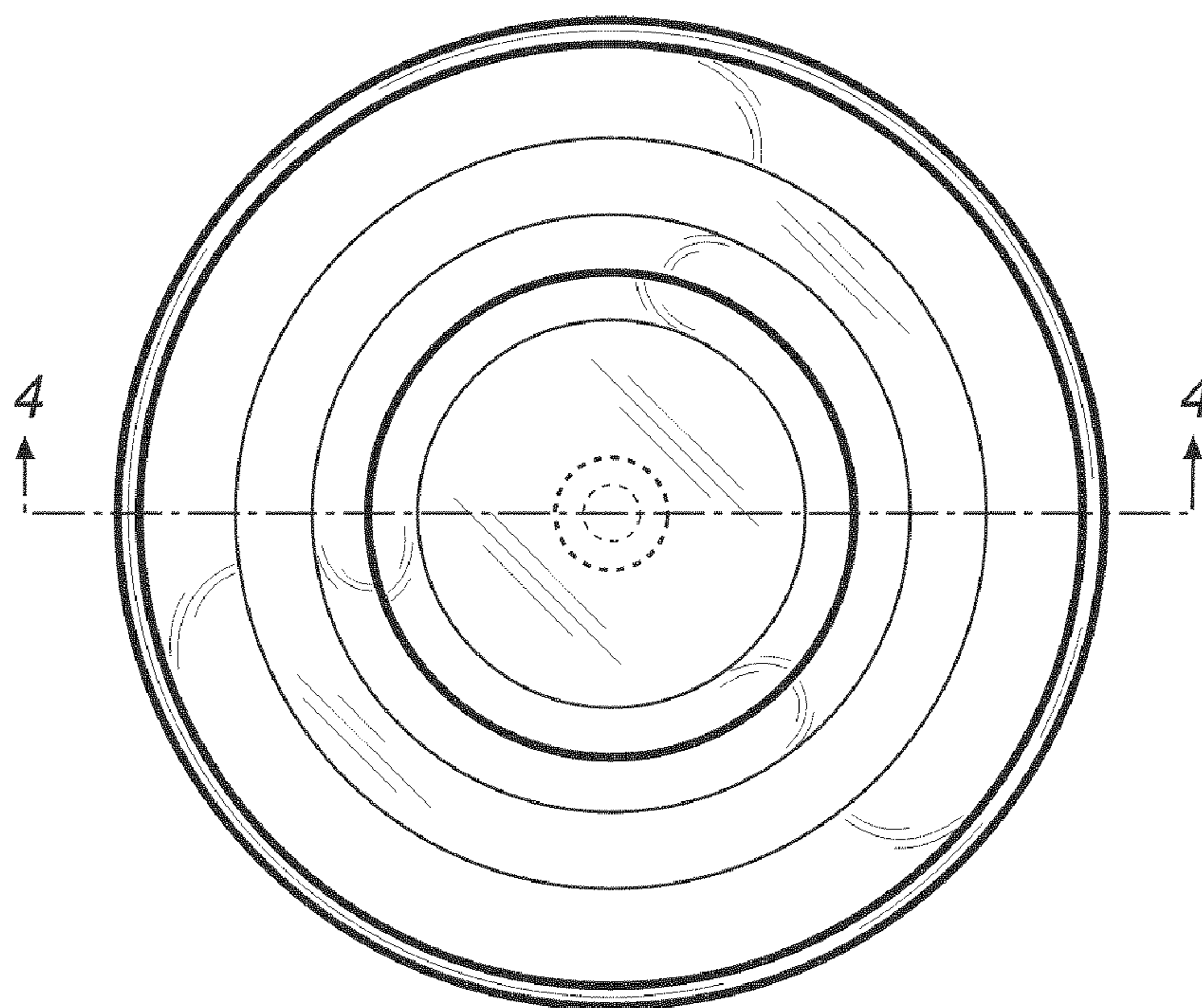


FIG. 1

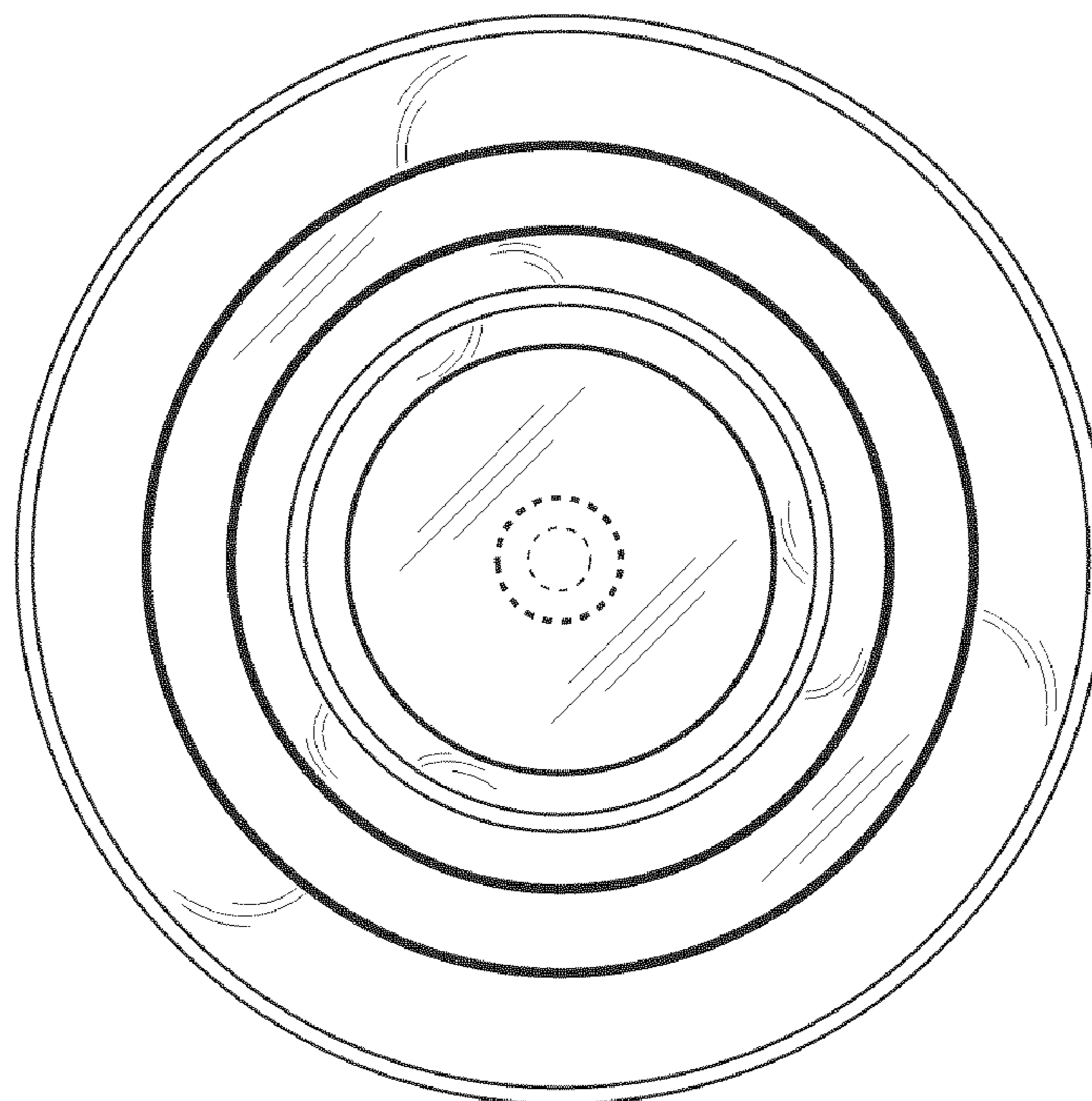


FIG. 2

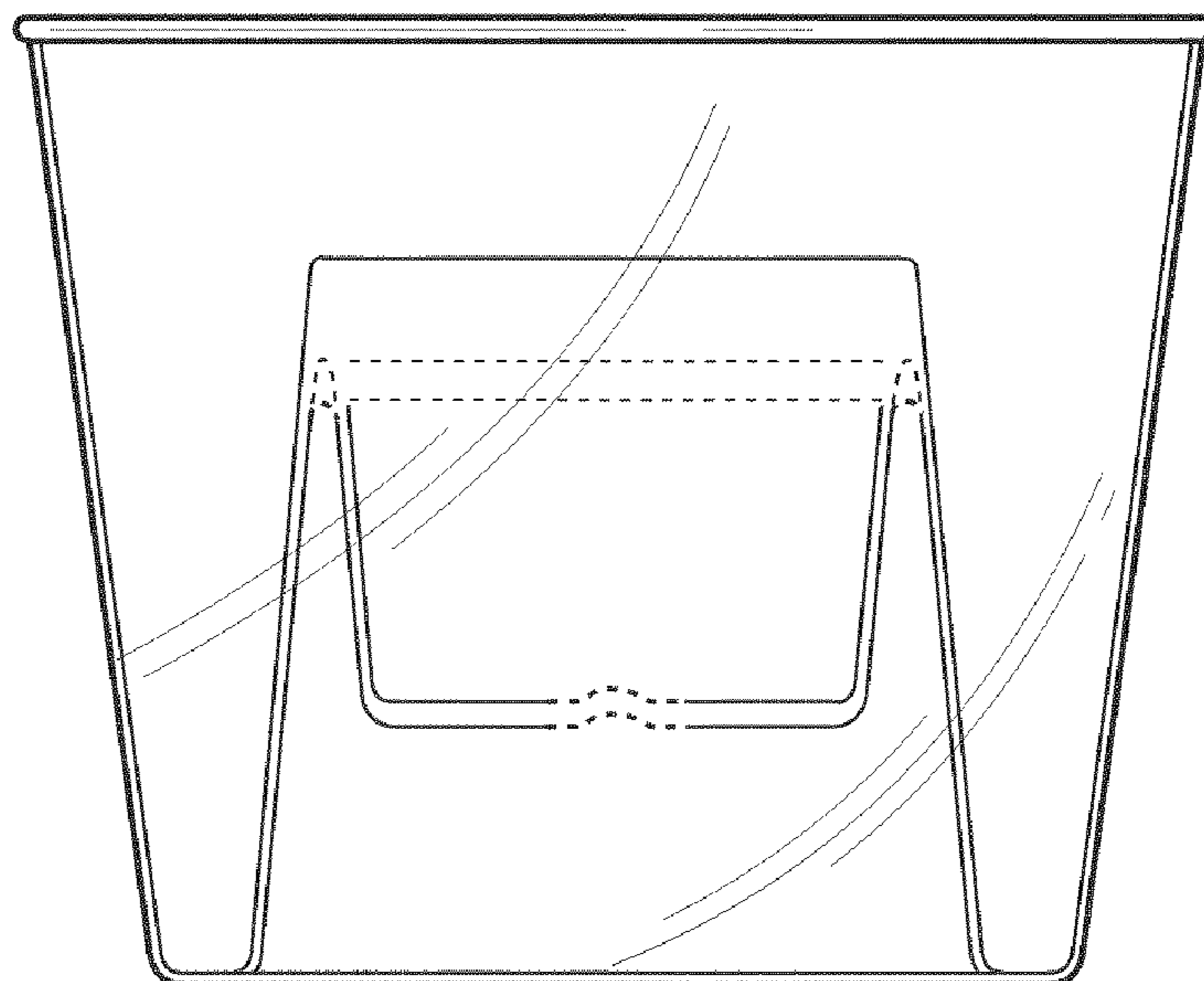


FIG. 3

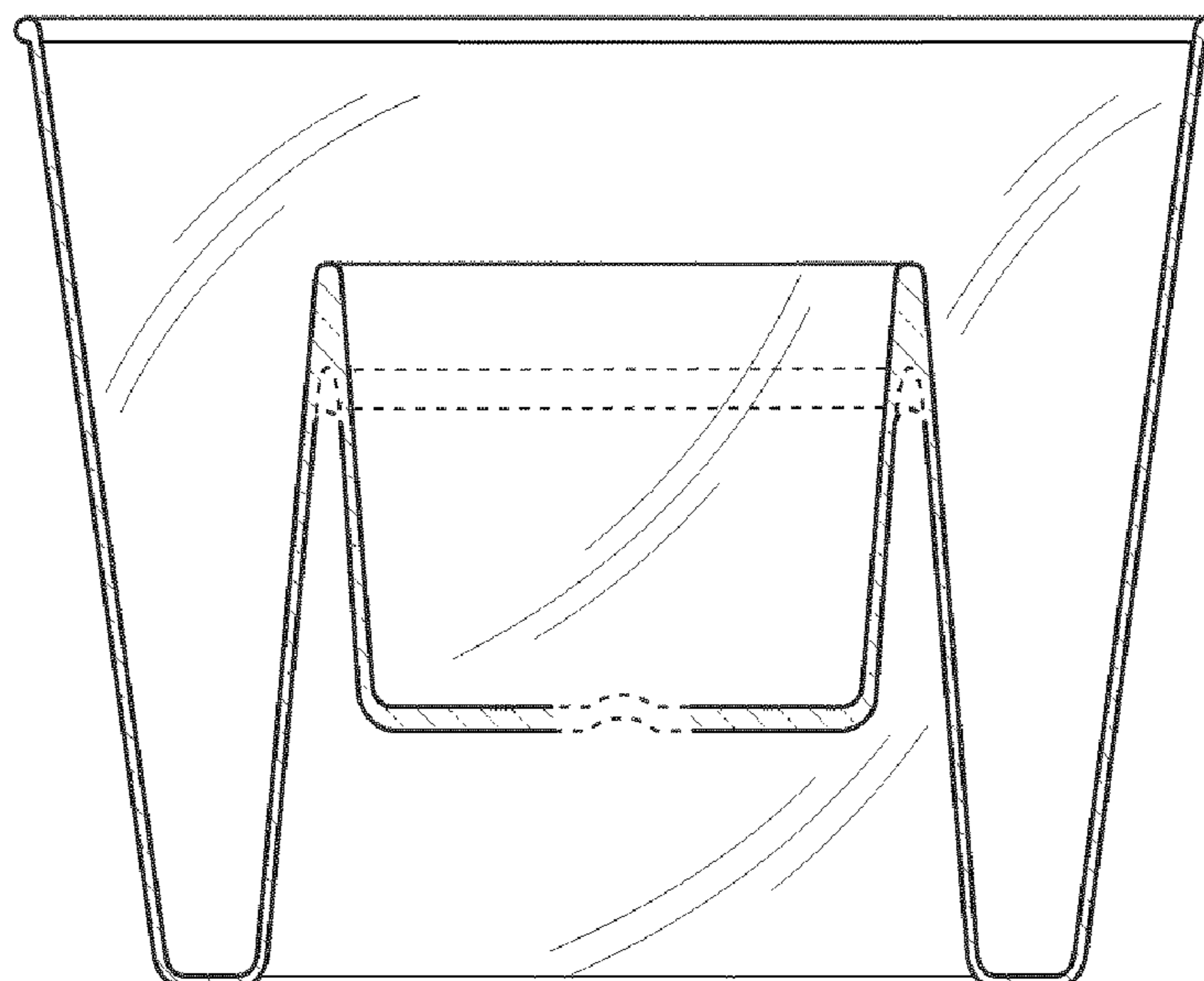


FIG. 4

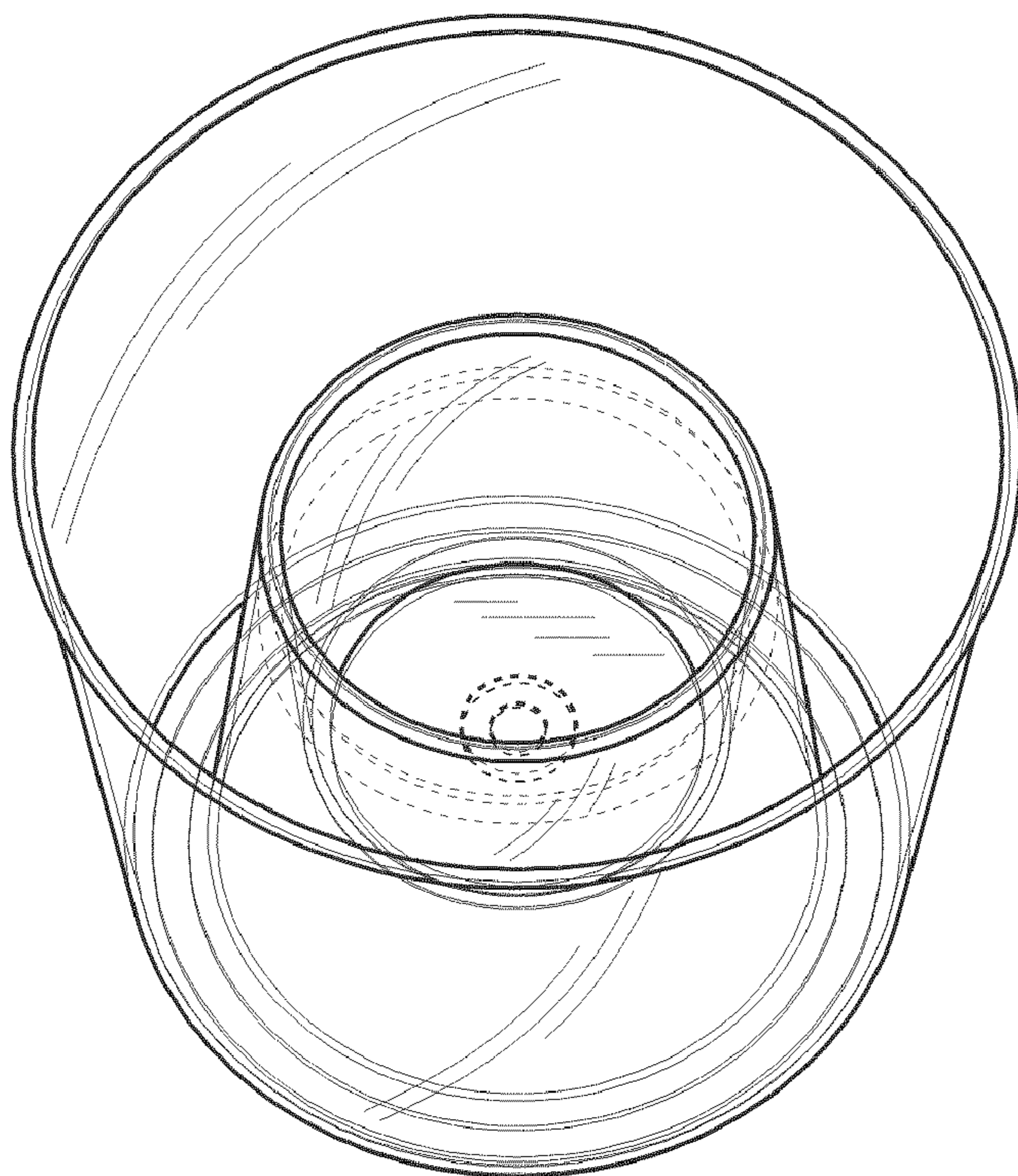


FIG. 5

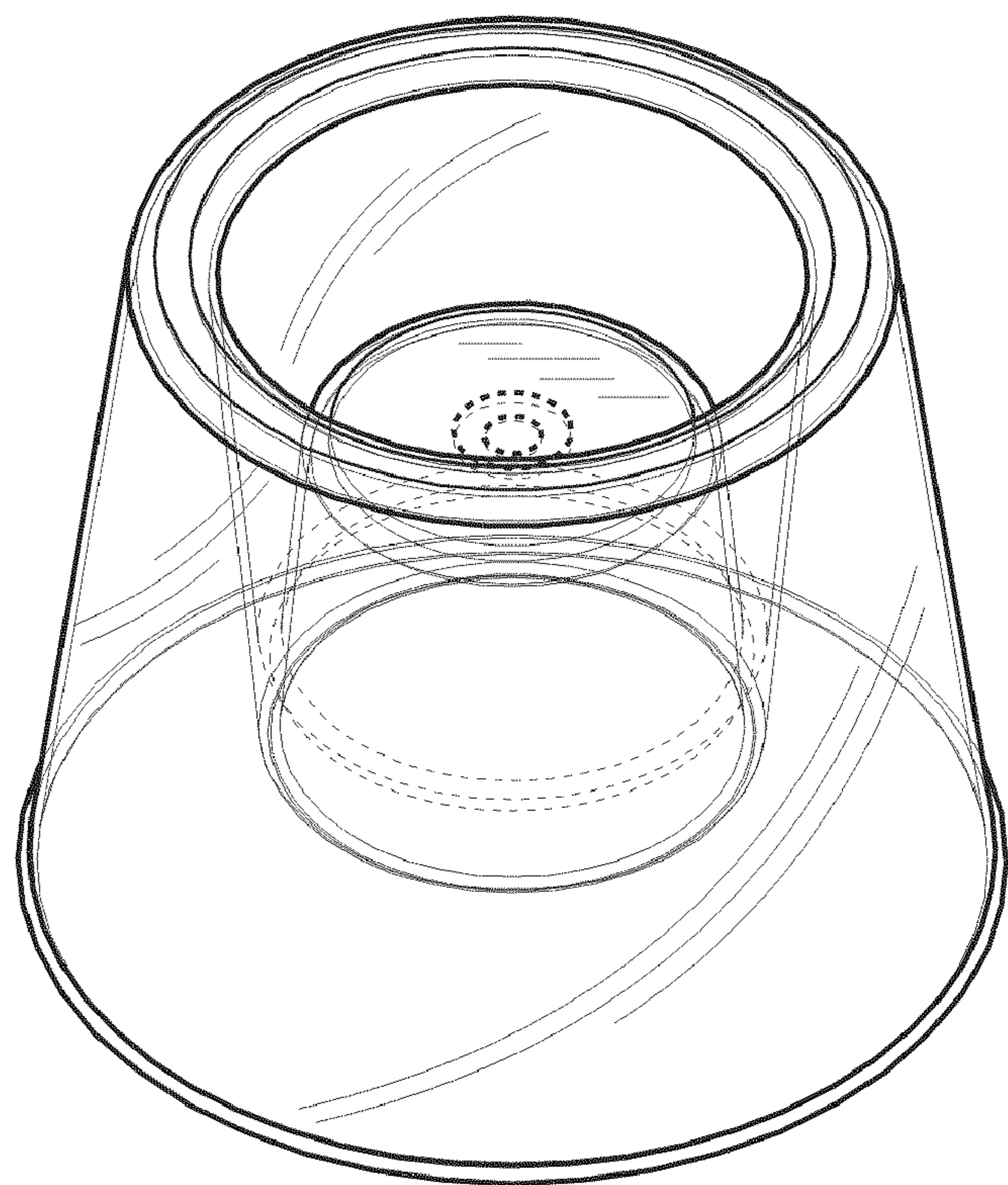


FIG. 6