



US00D596459S

(12) **United States Design Patent**
Ghiassi

(10) **Patent No.:** **US D596,459 S**
(45) **Date of Patent:** **** Jul. 21, 2009**

(54) **FILTERED WATER BOTTLE**

(76) Inventor: **Mohssen Ghiassi**, 6Z Rancheria Rd.,
Kentfield, CA (US) 94904

(**) Term: **14 Years**

(21) Appl. No.: **29/308,695**

(22) Filed: **Jul. 1, 2008**

(51) **LOC (9) Cl.** **07-01**

(52) **U.S. Cl.** **D7/510; D7/511; D7/531**

(58) **Field of Classification Search** **D7/608,**
D7/507-511, 523, 531-536; D9/504, 778;
220/703, 713; D23/207, 209

See application file for complete search history.

(56) **References Cited**

U.S. PATENT DOCUMENTS

D491,022 S *	6/2004	Bodum	D7/536
6,852,954 B1 *	2/2005	Liu et al.	219/436
D507,723 S *	7/2005	Bodum	D7/597
D529,339 S *	10/2006	Carreno et al.	D7/511
D538,110 S *	3/2007	Kitamura et al.	D7/608
D566,458 S *	4/2008	de Gooijer	D7/360

* cited by examiner

Primary Examiner—Marianne Pandozzi

(57) **CLAIM**

I claim the ornamental design for a filtered water bottle, as shown.

DESCRIPTION

FIG. 1 is a perspective view of a filtered water bottle showing my new design;

FIG. 2 is an exploded perspective view thereof with the lid in alternate position;

FIG. 3 is a top perspective view of the filtered water bottle with the bottle and filter portion removed for ease of illustration;

FIG. 4 is a top perspective view thereof with the spout in open position;

FIG. 5 is a perspective view of the filtered water bottle with the bottle and filter portion removed for ease of illustration showing only the lid in position like the lid shown in FIG. 3;

FIG. 6 is a top perspective view of the filtered water bottle with the bottle and filter portion removed for ease of illustration showing the lid in alternate position;

FIG. 7 is a top perspective view of the filtered water bottle with the lid and filter portions removed for ease of illustration showing only the bottle and base portions;

FIG. 8 is a bottom perspective view thereof with the base also removed for ease of illustration;

FIG. 9 is an exploded perspective view of FIG. 7;

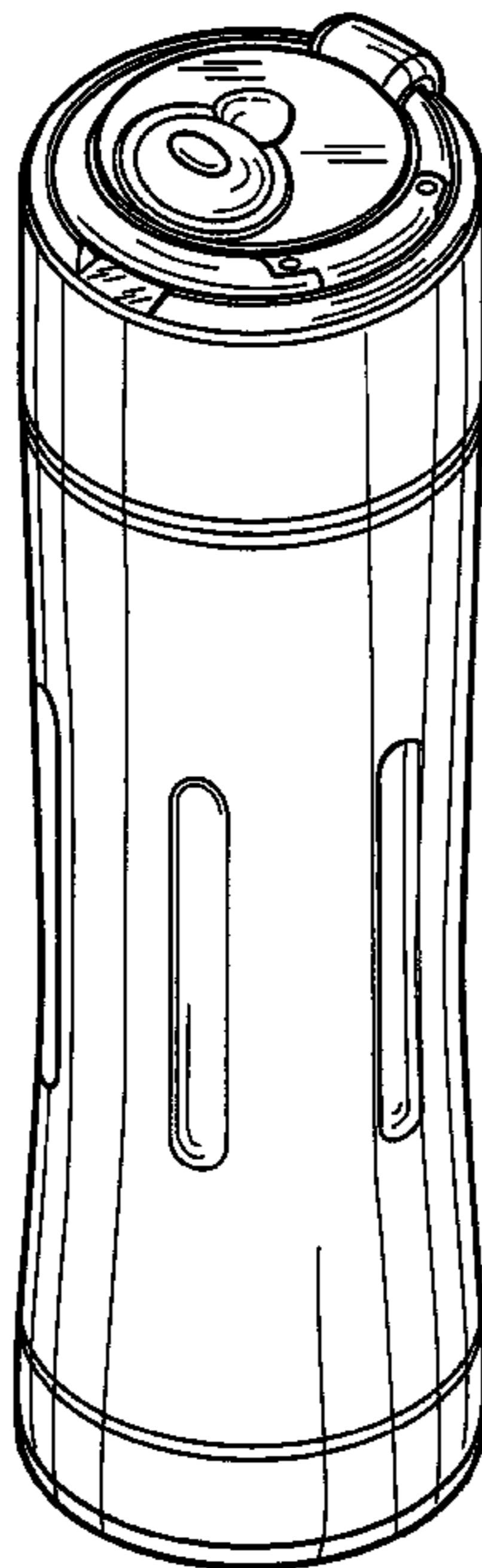
FIG. 10 is a side perspective view of the filtered water bottle with the bottle and lid portions removed for ease of illustration showing only the filter portion;

FIG. 11 is a top perspective view thereof;

FIG. 12 is a bottom perspective view thereof; and,

FIG. 13 is a perspective view of the filtered water bottle with the bottle portion removed for ease of illustration showing the cap and filter together.

1 Claim, 8 Drawing Sheets



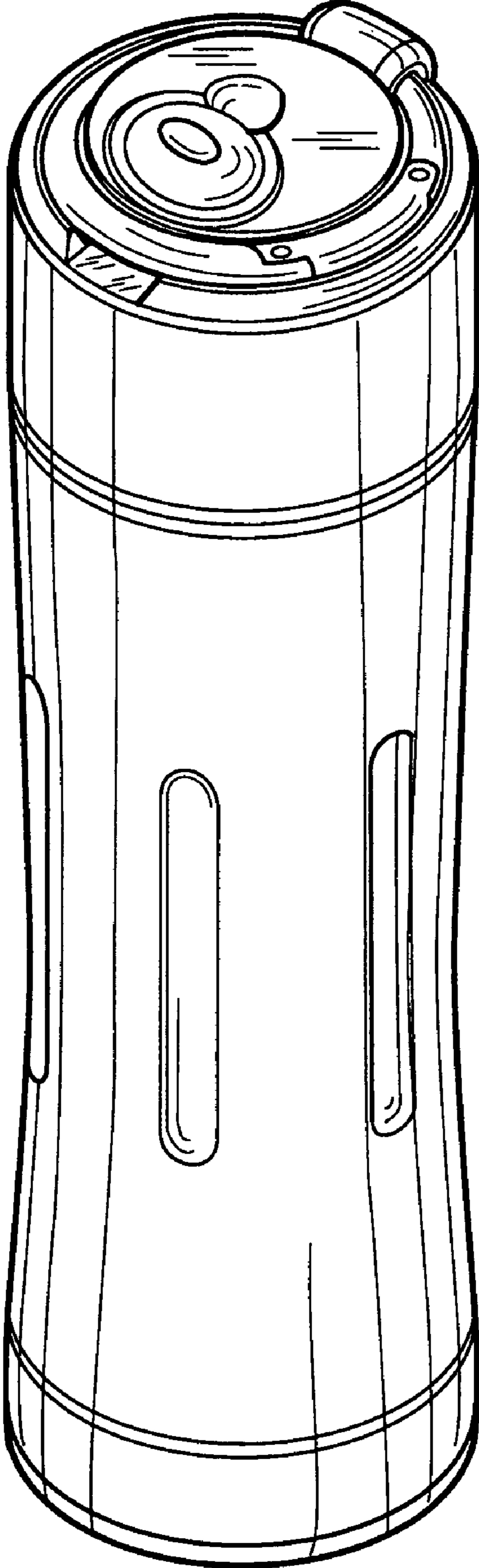


Fig. 1

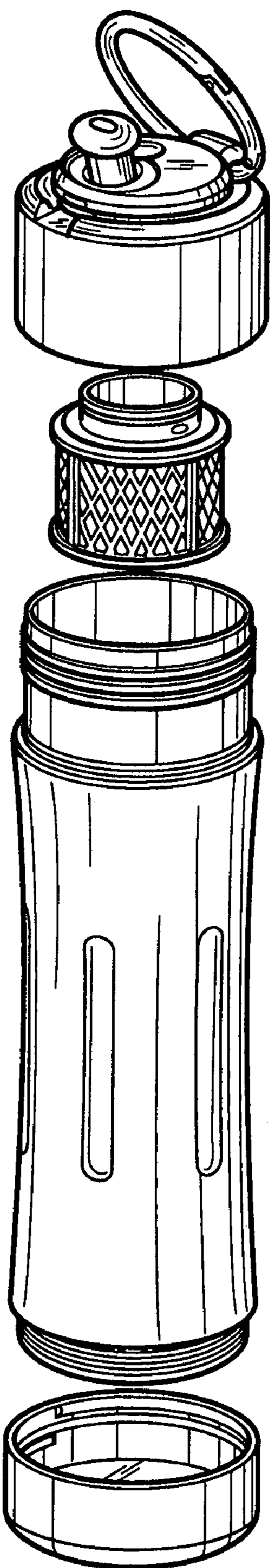


Fig. 2

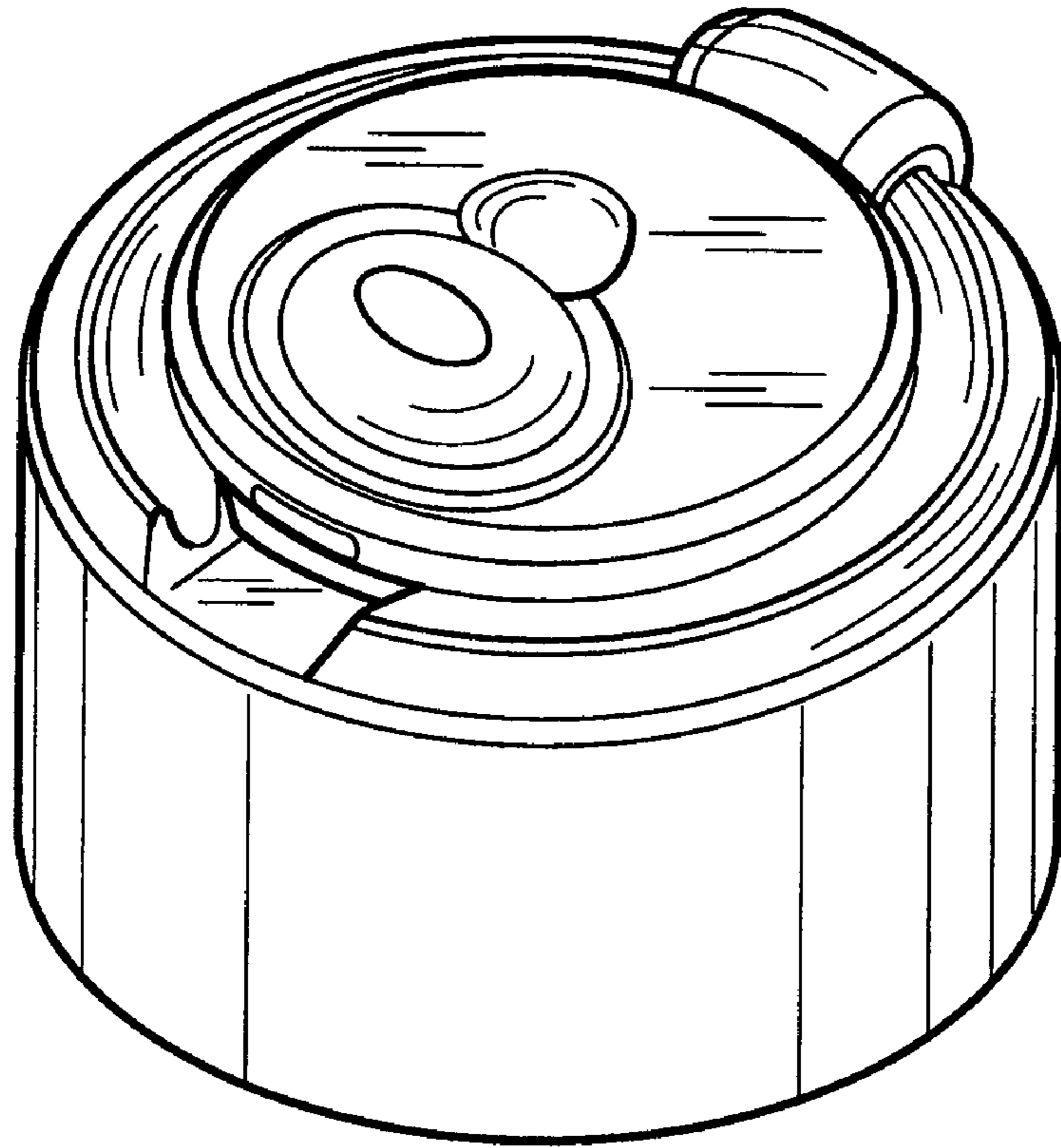


Fig. 3

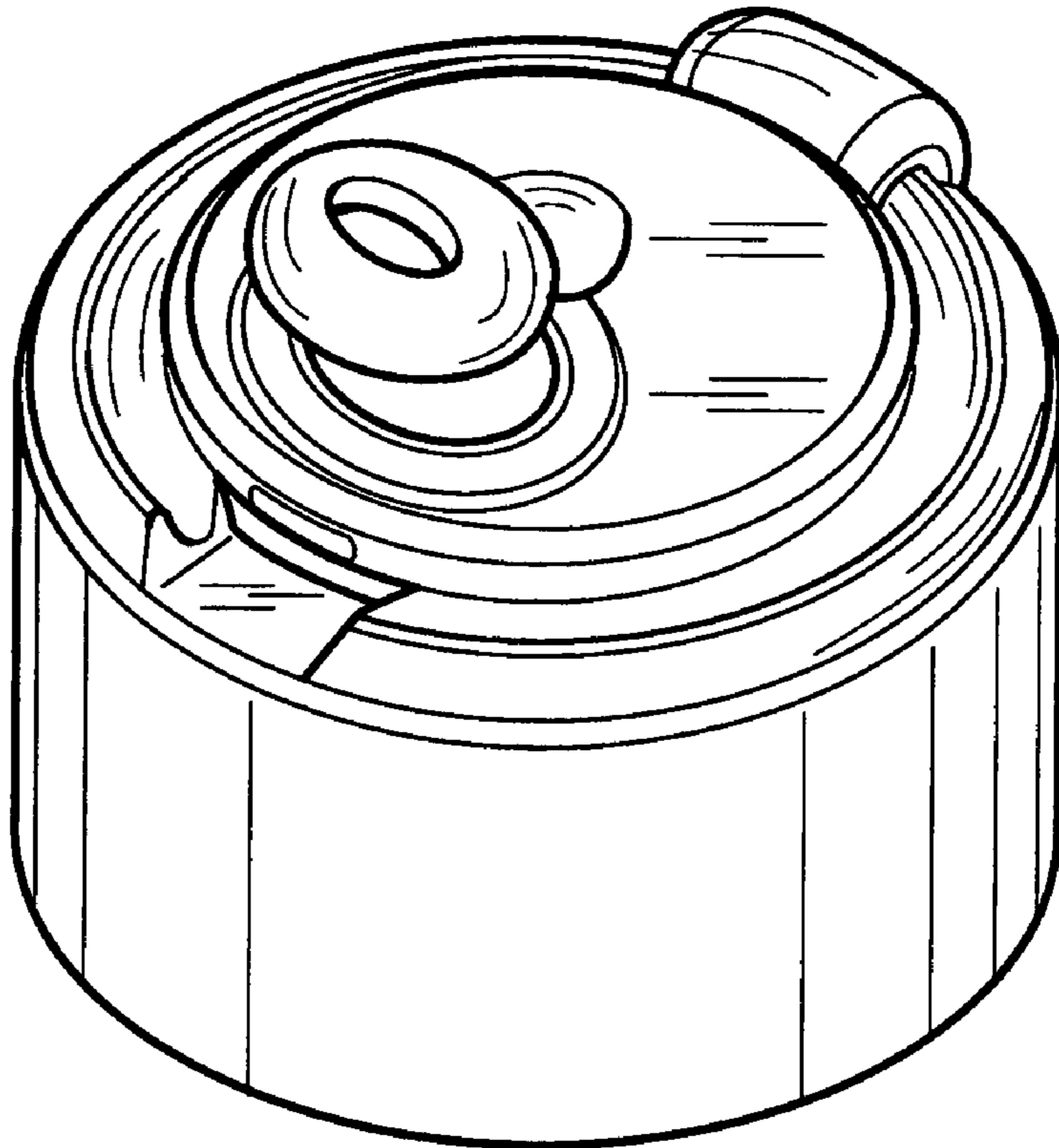


Fig. 4

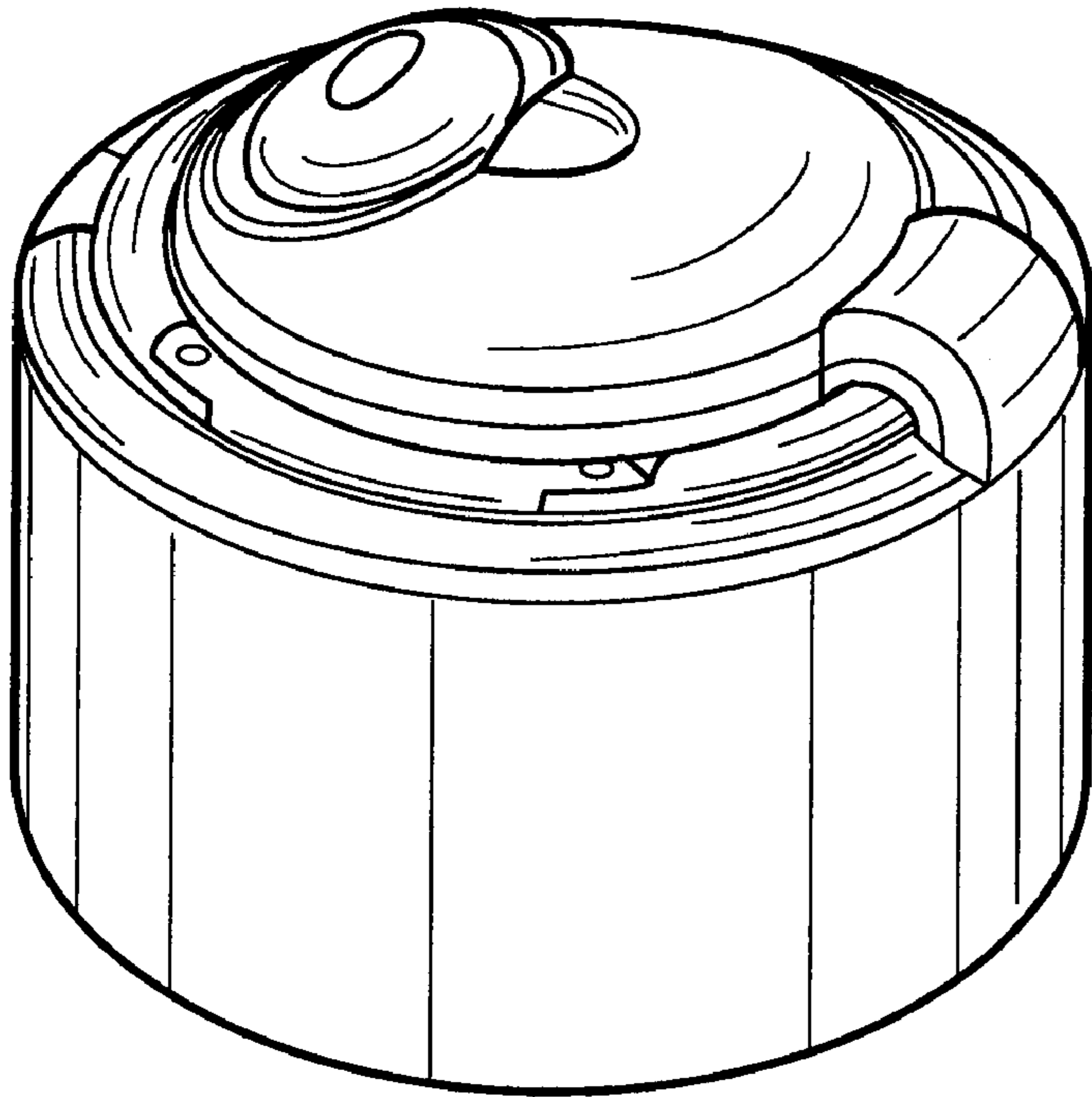


Fig. 5

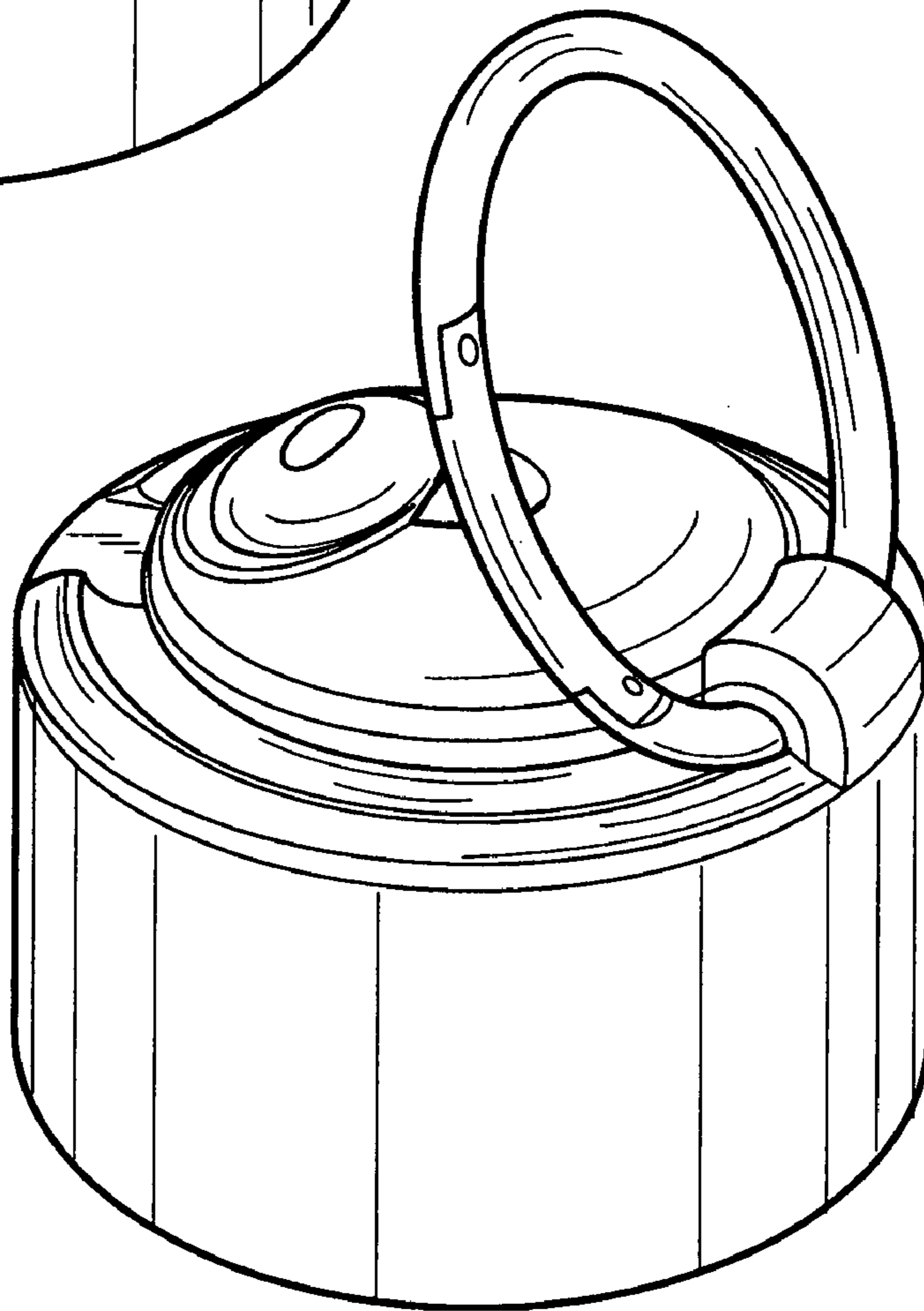


Fig. 6

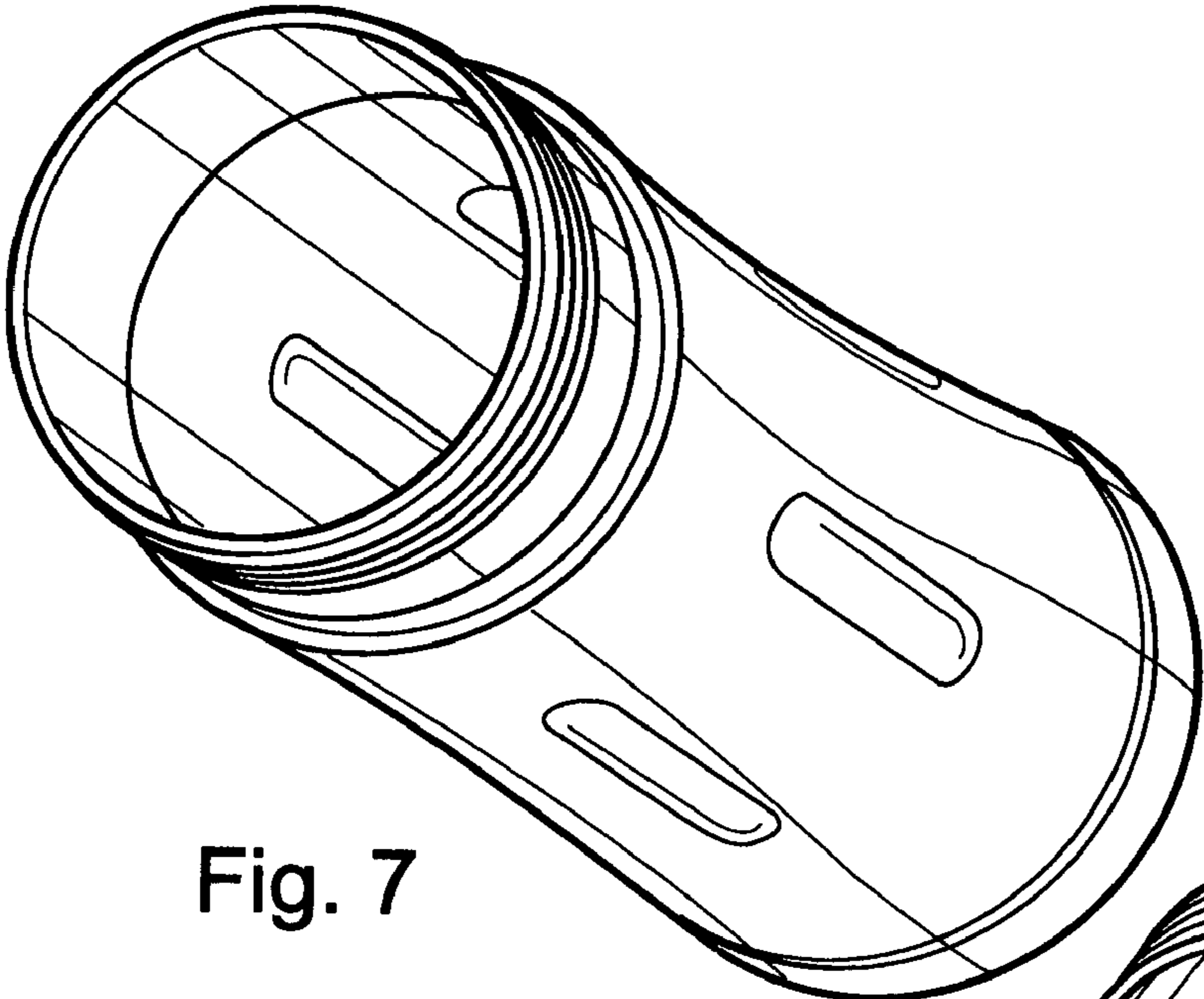


Fig. 7

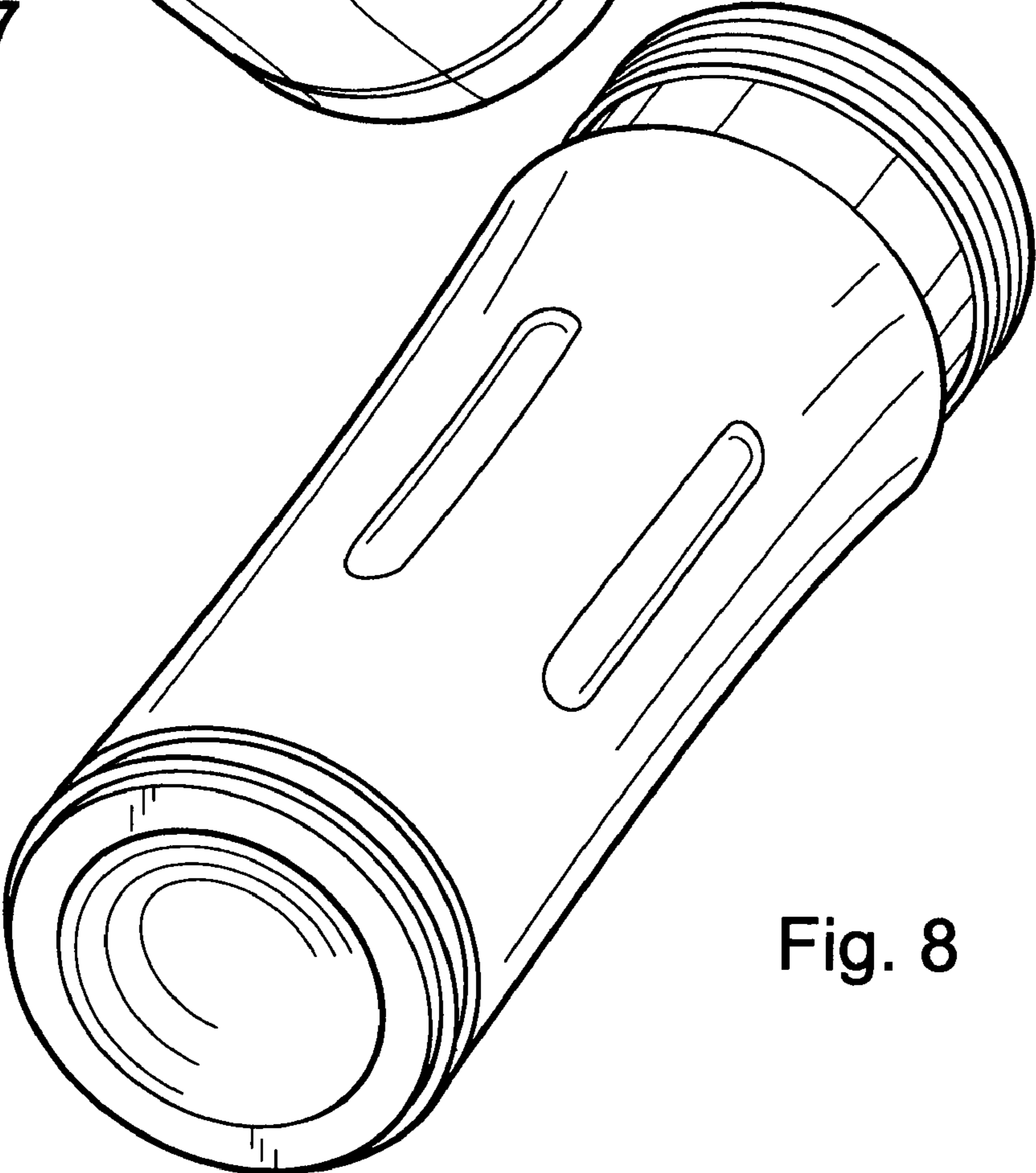


Fig. 8

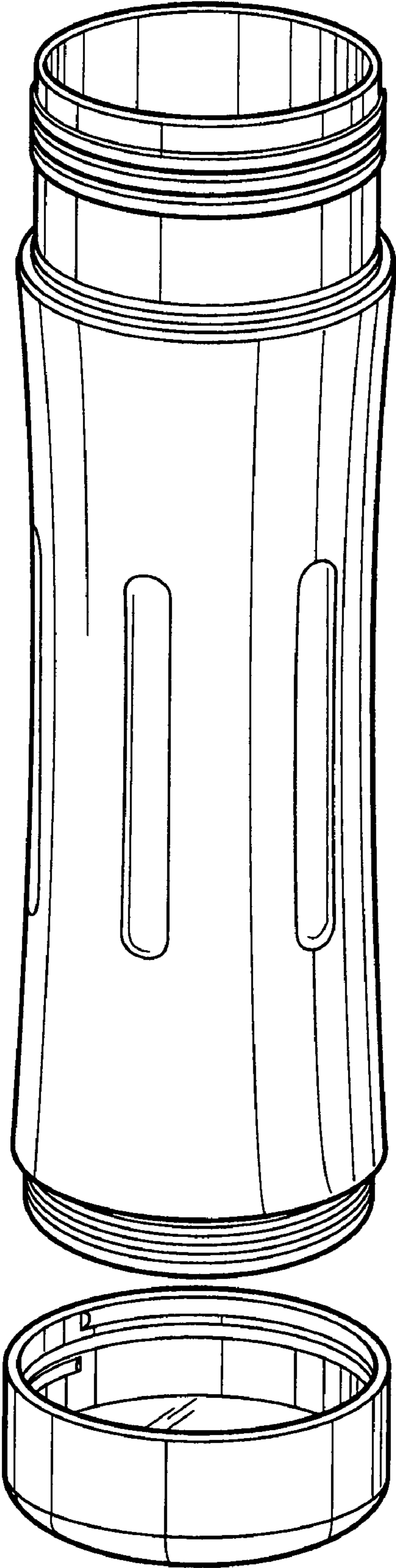


Fig. 9

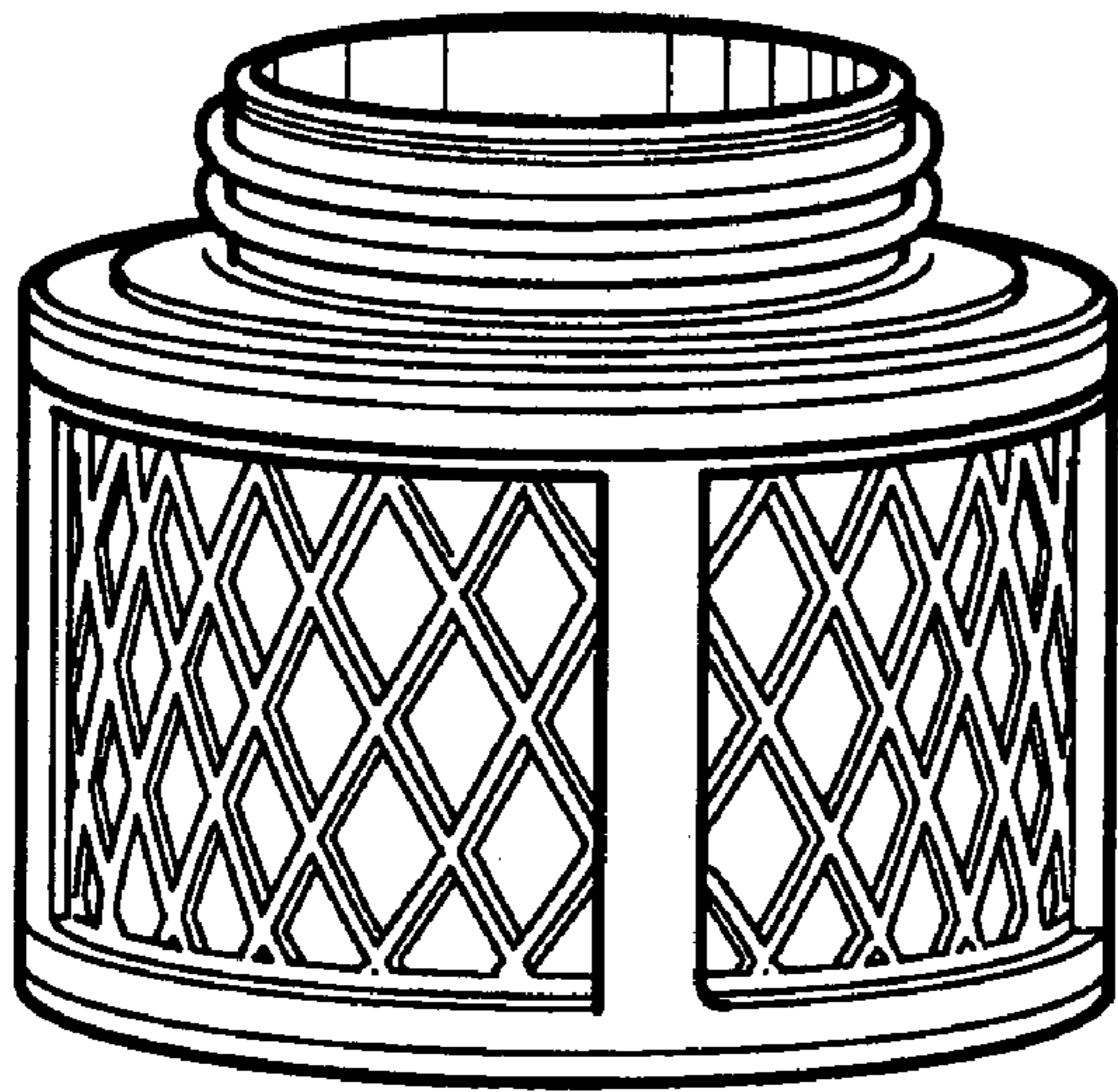


Fig. 10

Fig. 11

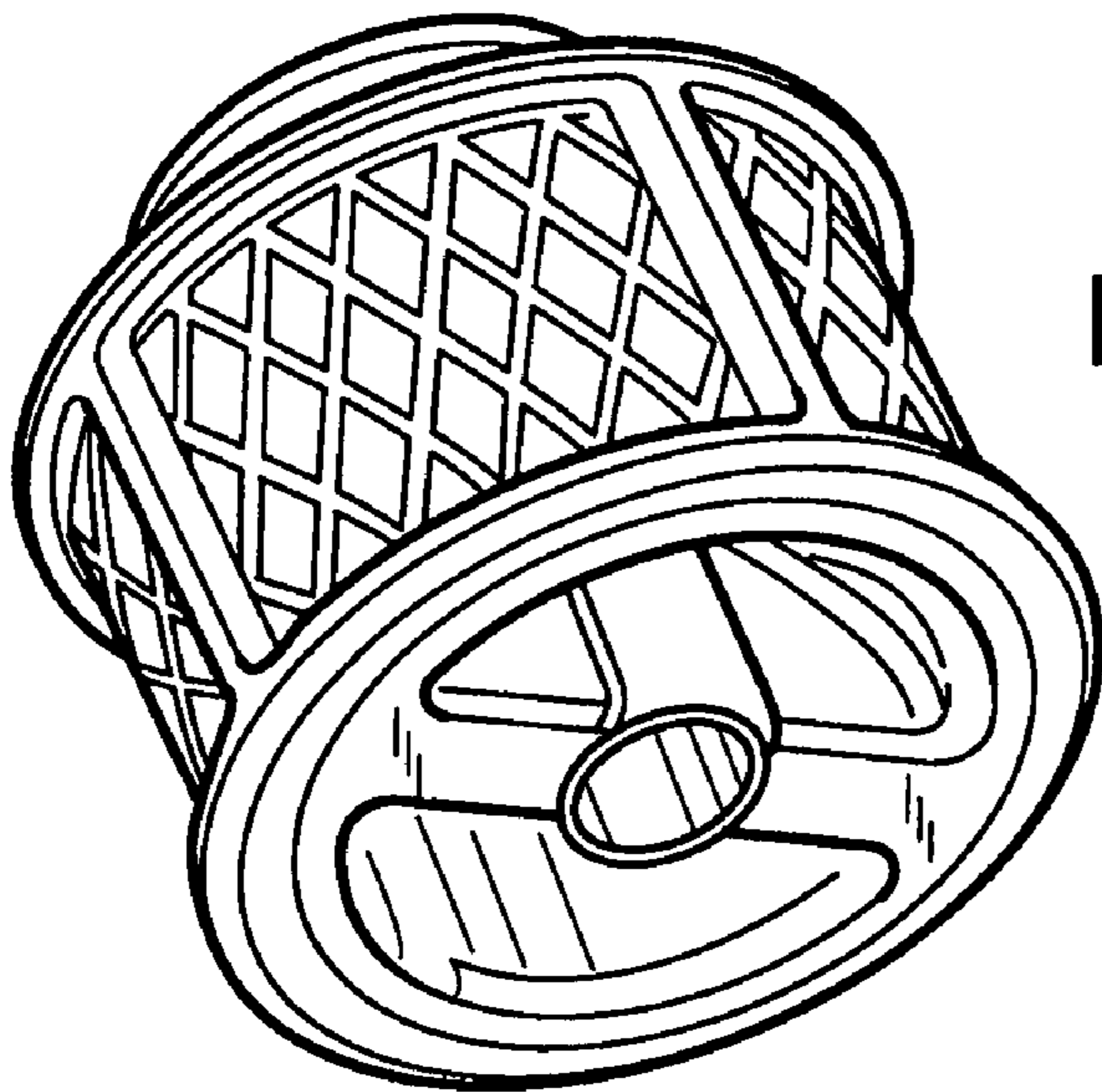
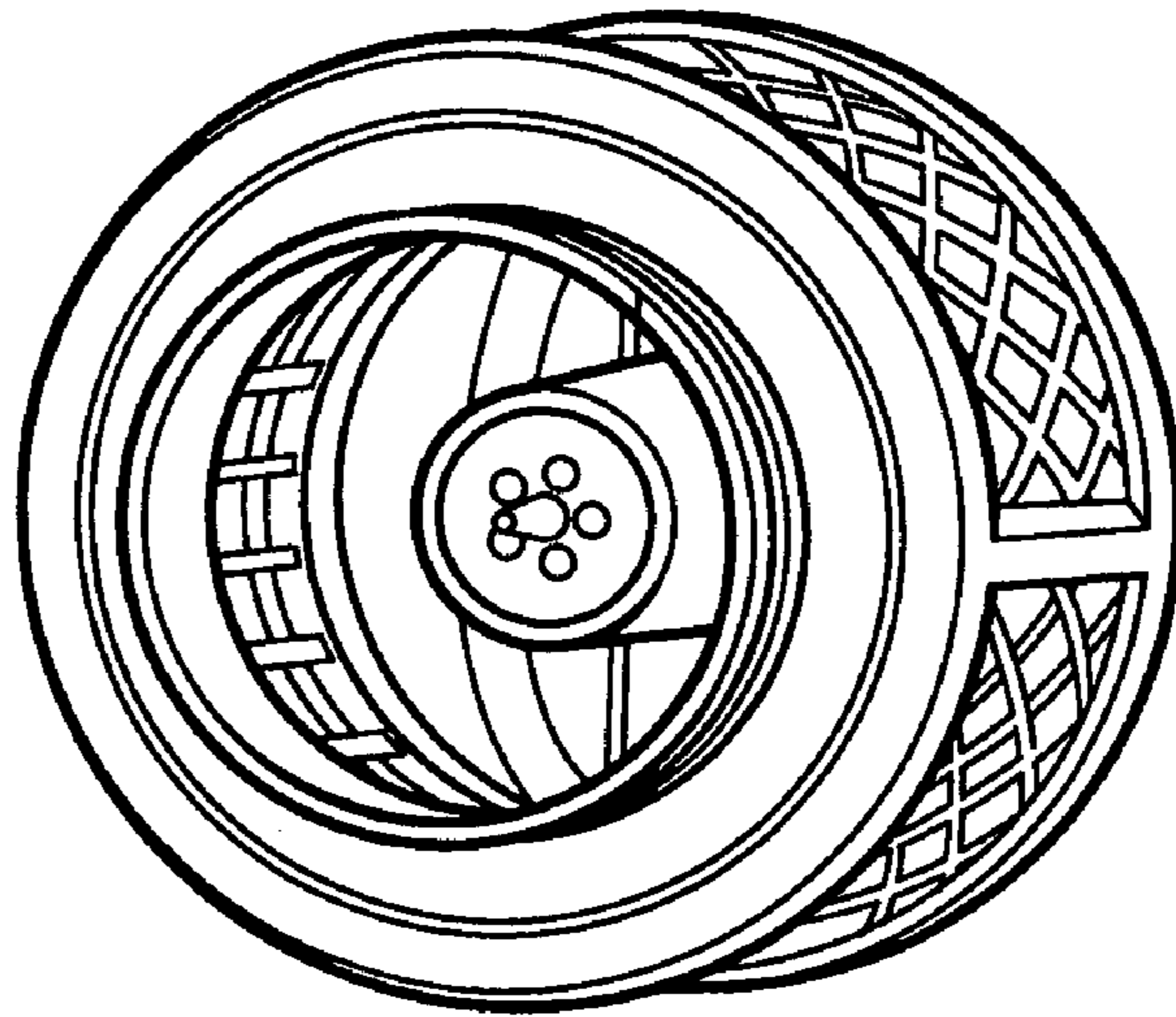


Fig. 12

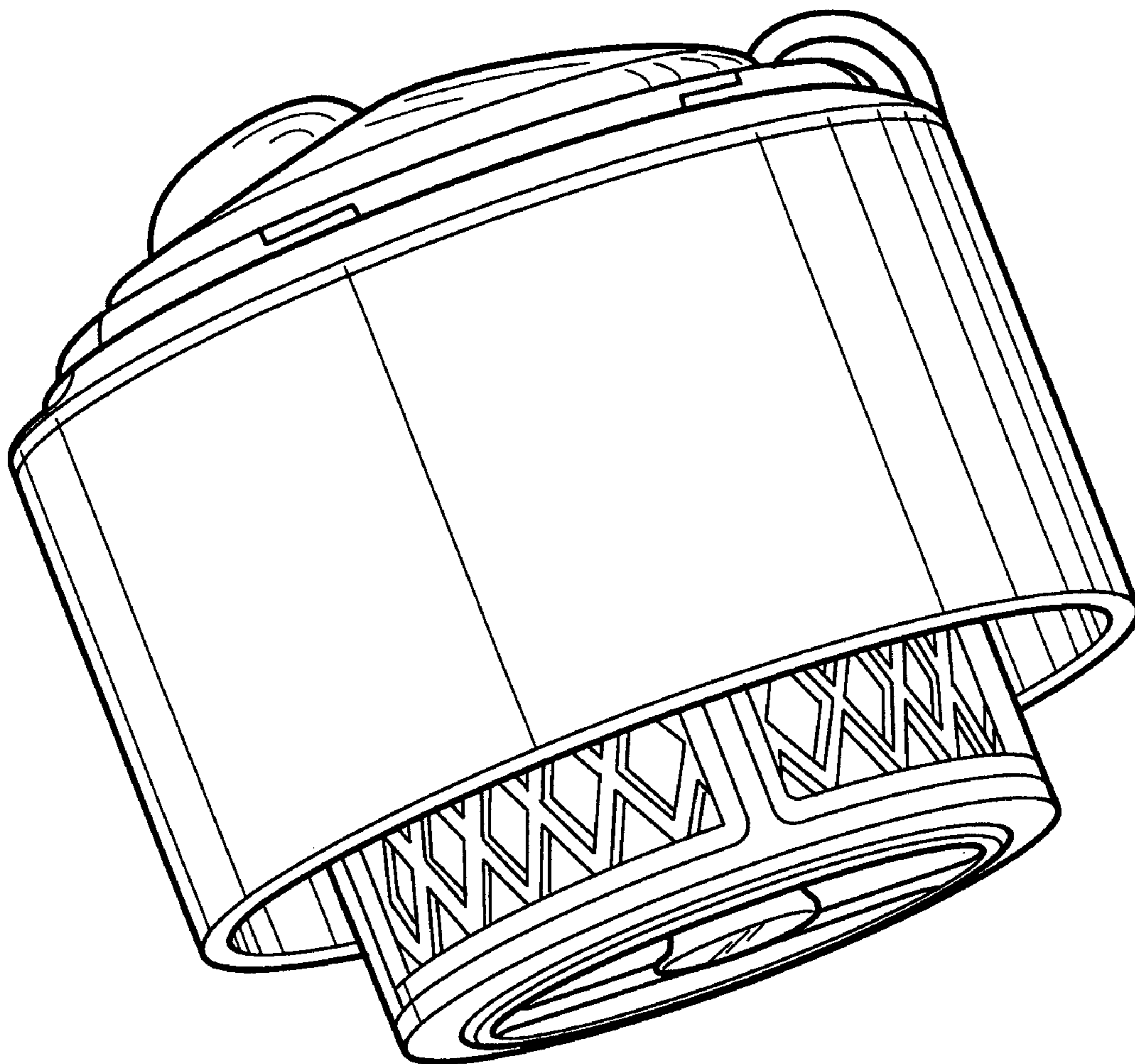


Fig. 13