

US00D596458S

(12) **United States Design Patent**  
**McKinney**

(10) **Patent No.:** **US D596,458 S**  
(45) **Date of Patent:** **\*\* Jul. 21, 2009**

(54) **DRINKING CONTAINER ASSEMBLY**

(57) **CLAIM**

(75) Inventor: **Larry T. McKinney**, Huntersville, NC (US)

The ornamental design for a “drinking container assembly,” as shown and described.

(73) Assignee: **Rubbermaid Incorporated**, Huntersville, NC (US)

**DESCRIPTION**

(\*\*) Term: **14 Years**

(21) Appl. No.: **29/306,726**

(22) Filed: **Apr. 15, 2008**

(51) **LOC (9) Cl.** ..... **07-01**

(52) **U.S. Cl.** ..... **D7/510; D7/511**

(58) **Field of Classification Search** ..... **D7/510, D7/511, 509, 523; D9/537, 525, 538, 446, D9/530; 220/703, 737; 215/13.1, 387**  
See application file for complete search history.

FIG. 1 is a top, front, and right side perspective view showing my new design for a drinking container assembly with a cap closure in a closed configuration.

FIG. 2 is a front view of the drinking container assembly shown in FIG. 1.

FIG. 3 is a right side view thereof;

FIG. 4 is a rear view of the drinking container assembly shown in FIG. 1.

FIG. 5 is a top view of the drinking container assembly shown in FIG. 1.

FIG. 6 is a bottom view of the drinking container assembly shown in FIG. 1.

FIG. 7 is a top, rear, and left side perspective view of the drinking container assembly shown in FIG. 1, but with the cap closure in an opened configuration.

FIG. 8 is a front view of the drinking container assembly shown in FIG. 7.

FIG. 9 is a left side view thereof;

FIG. 10 is a rear view of the drinking container assembly shown in FIG. 7.

FIG. 11 is a top view of the drinking container assembly shown in FIG. 7; and,

FIG. 12 is a bottom view of the drinking container assembly shown in FIG. 7.

The broken lines are for illustrative purposes only and form no part of my claimed design.

(56) **References Cited**

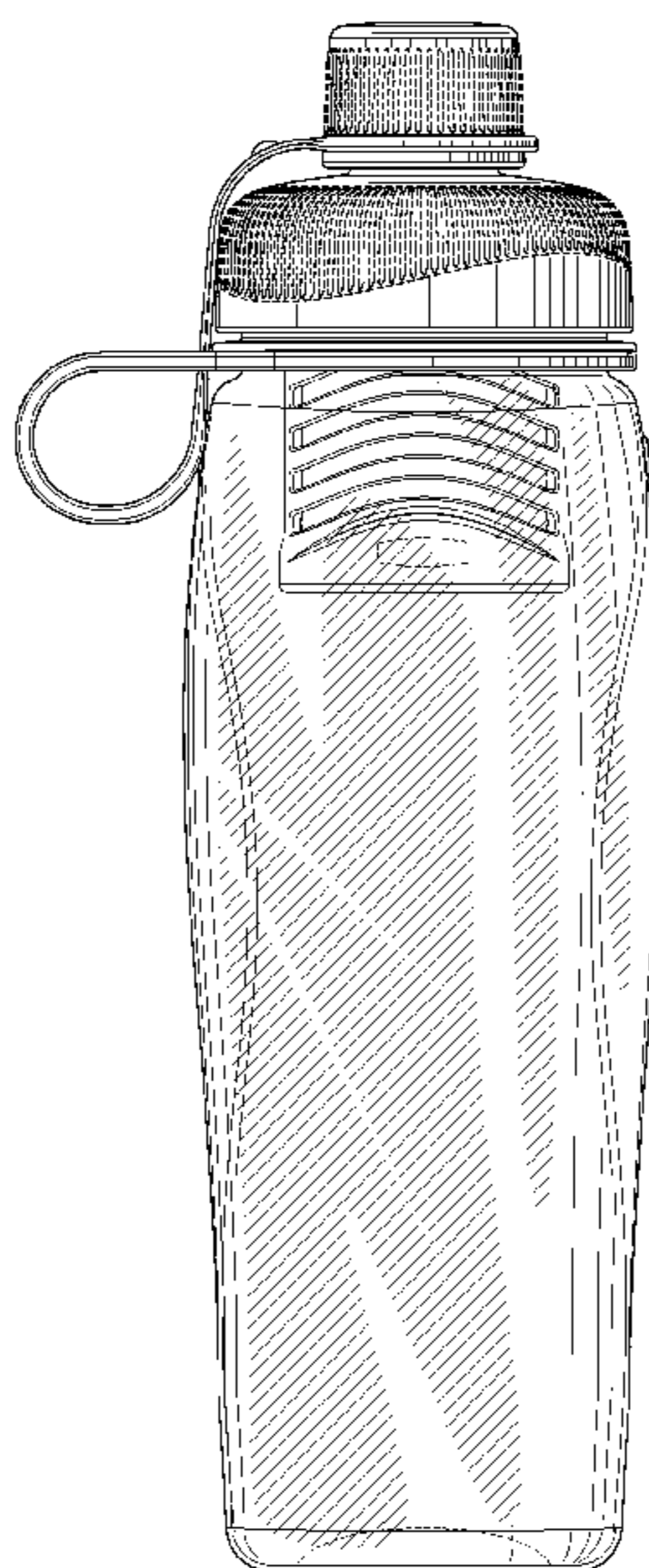
**U.S. PATENT DOCUMENTS**

218,719	A	8/1879	Doyle	
591,668	A	10/1897	Johnson	
1,301,676	A	4/1919	Fitzgerald	
1,564,019	A	12/1925	Pierce	
1,633,420	A	6/1927	Schlayer	
2,155,329	A	4/1939	Perdue	
2,911,128	A	11/1959	Krautkramer	
3,147,824	A	9/1964	Henderson	
3,181,725	A	5/1965	Friedl	
D226,555	S *	3/1973	Weber	..... D9/446
4,127,211	A	11/1978	Zerbey	
4,448,316	A	5/1984	Hiroshige	
4,478,346	A	10/1984	Spong	

(Continued)

*Primary Examiner*—Marianne Pandozzi  
(74) *Attorney, Agent, or Firm*—Lempia Braidwood LLC

**1 Claim, 8 Drawing Sheets**



# US D596,458 S

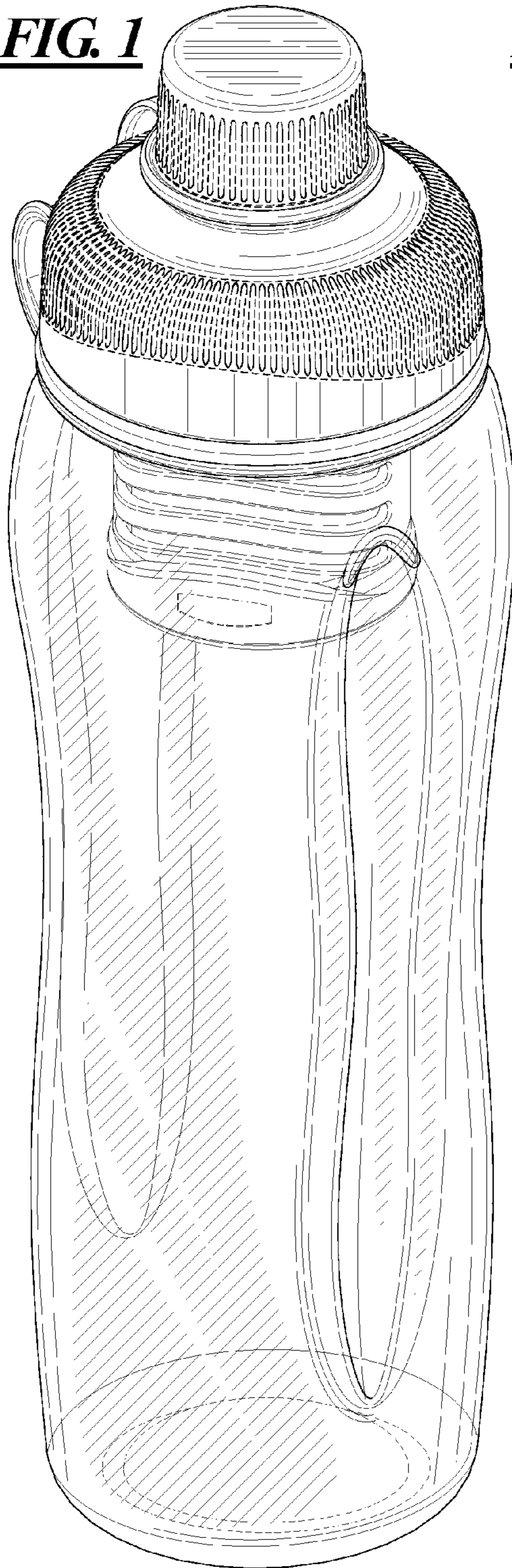
Page 2

## U.S. PATENT DOCUMENTS

4,526,289	A	7/1985	Schiemann				
4,669,641	A	6/1987	Holmes				
4,728,037	A	3/1988	Mainhardt				
4,811,865	A	3/1989	Mueller, Jr. et al.				
5,044,512	A	9/1991	Giancaspro et al.				
5,090,583	A	2/1992	Hoffman et al.				
D339,503	S *	9/1993	Callaway	.....	D7/510		
D361,922	S *	9/1995	Van Dyk	.....	D7/510		
5,533,767	A	7/1996	Georgpoulos et al.				
5,573,525	A	11/1996	Watson et al.				
6,079,589	A	6/2000	Matsuyama et al.				
6,227,399	B1	5/2001	Angus et al.				
6,478,180	B1	11/2002	Dehn, Sr.				
D496,559	S *	9/2004	Bodum	.....	D7/510		
D515,869	S *	2/2006	Mills et al.	.....	D7/510		
7,040,499	B1	5/2006	Reif				
D528,862	S *	9/2006	Li	.....	D7/510		
D528,910	S *	9/2006	Kingsley	.....	D9/446		
D555,428	S *	11/2007	Tulett	.....	D7/510		
D556,575	S *	12/2007	Nusbaum et al.	.....	D9/449		
D565,353	S *	4/2008	Roth et al.	.....	D7/510		
D565,416	S *	4/2008	Lepoitevin	.....	D9/538		
D566,468	S *	4/2008	Sandy	.....	D7/510		
2004/0164079	A1	8/2004	Alois				
2005/0199631	A1	9/2005	Alois				
2005/0247714	A1	11/2005	Backes et al.				
2005/0274741	A1	12/2005	Cho				

\* cited by examiner

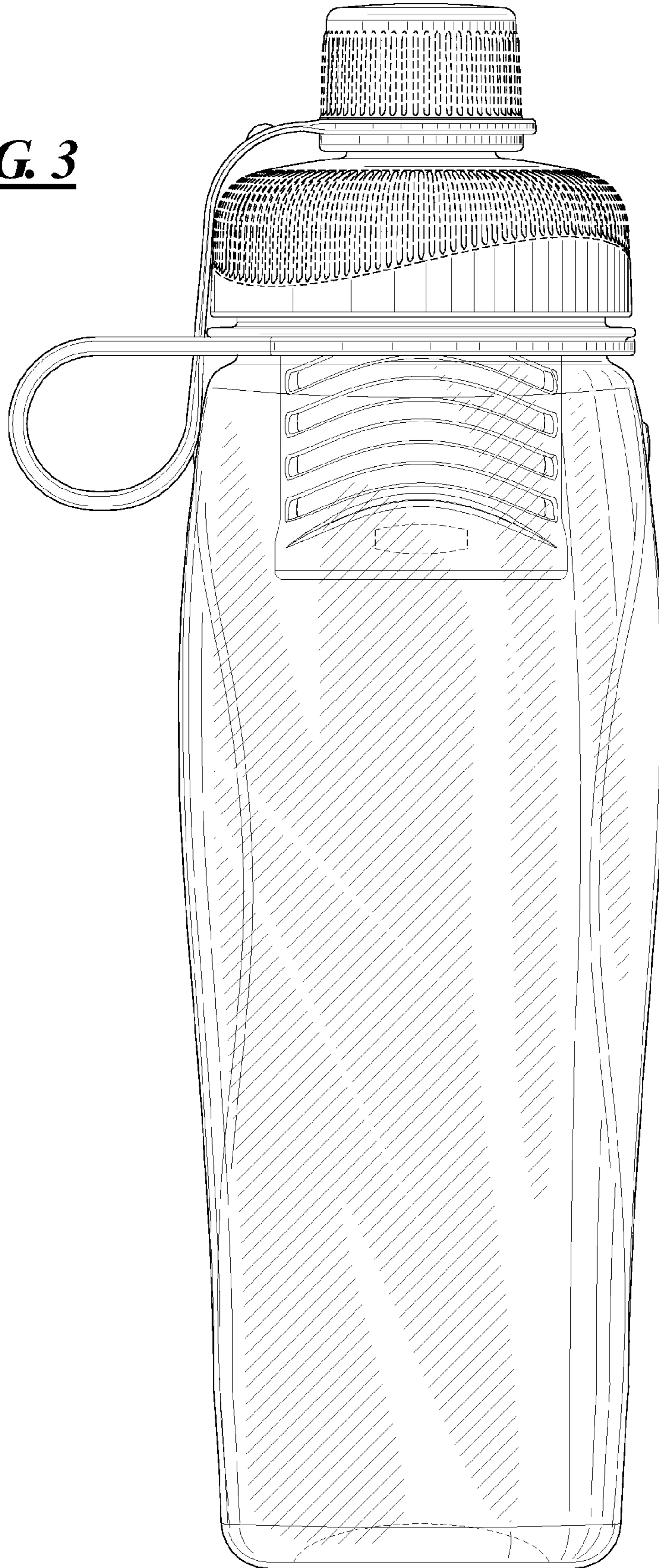
**FIG. 1**

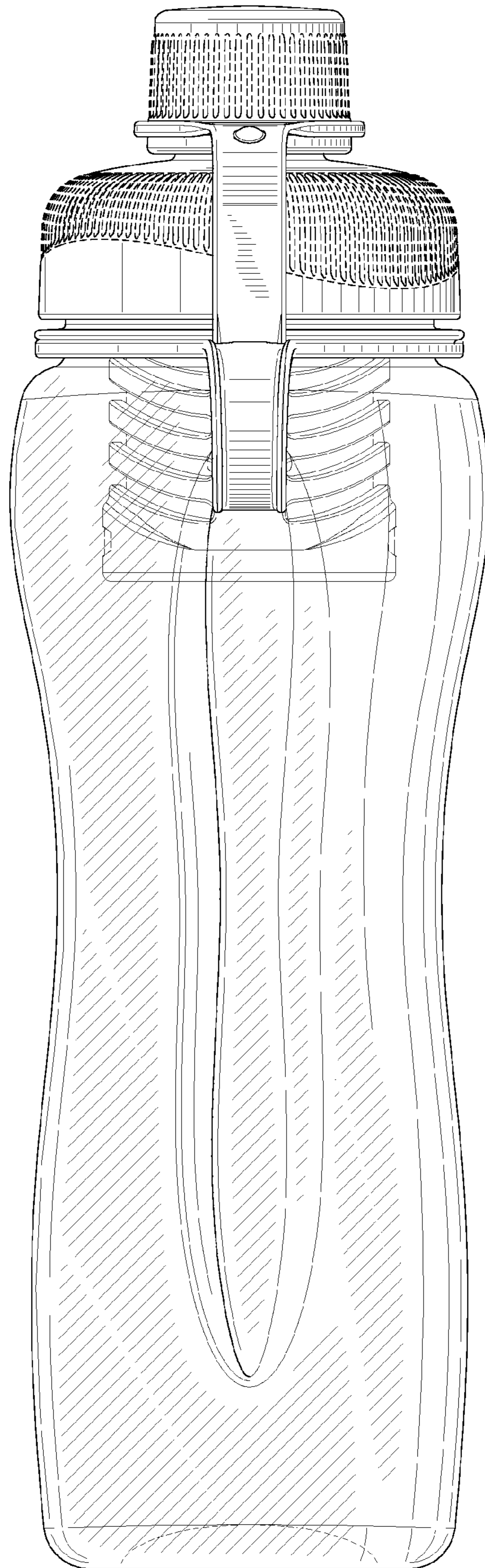


**FIG. 2**



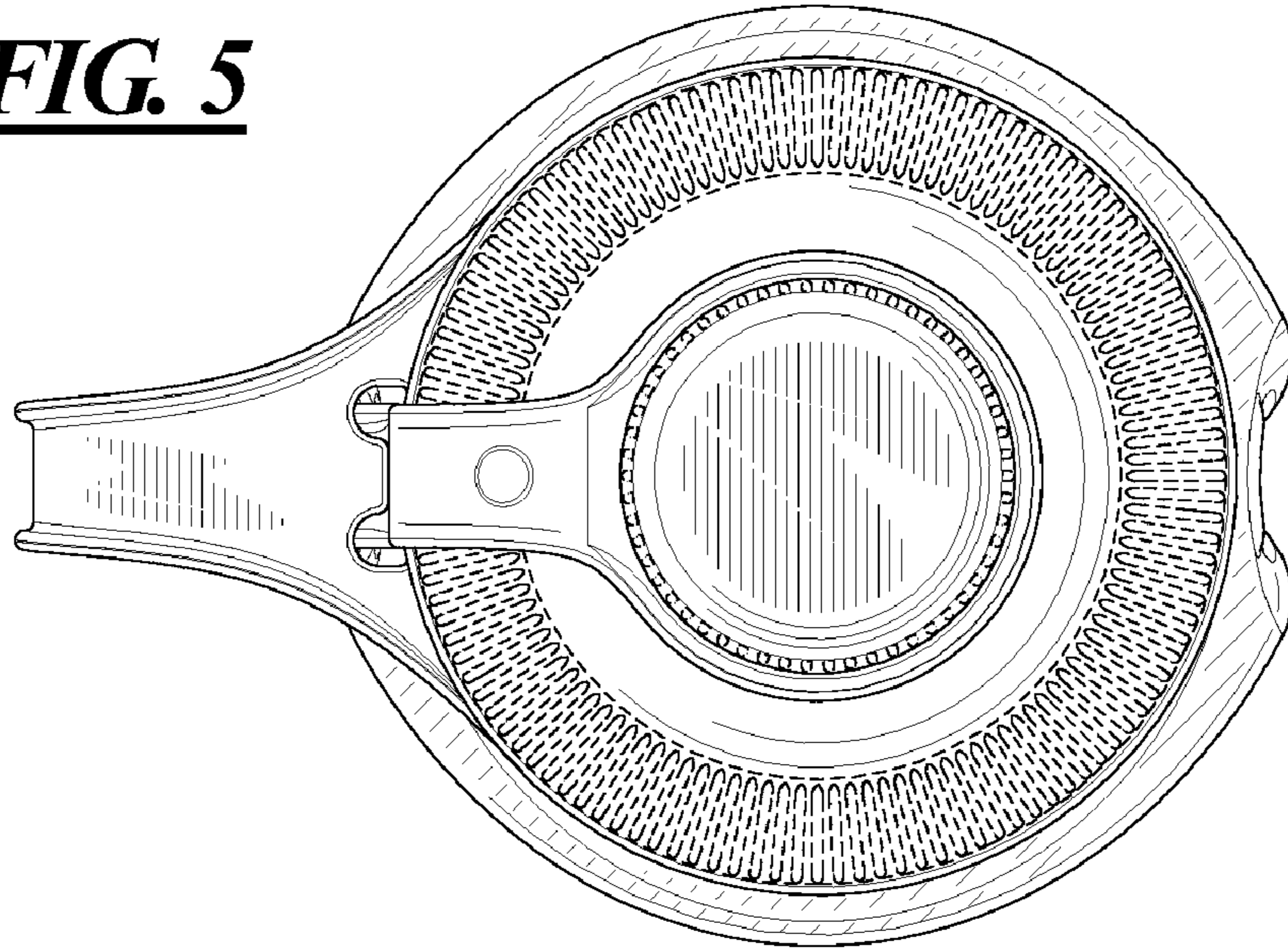
**FIG. 3**



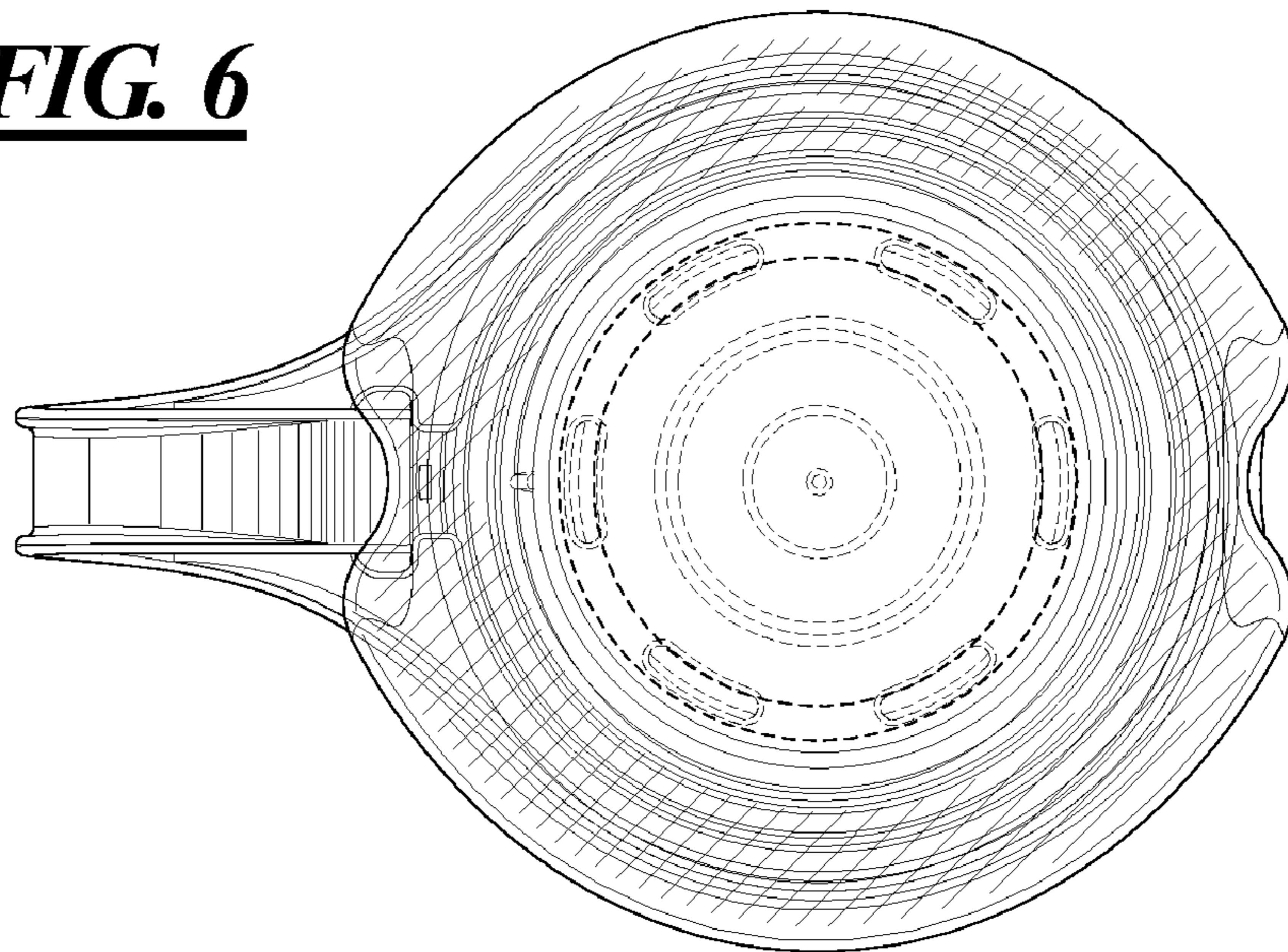


**FIG. 4**

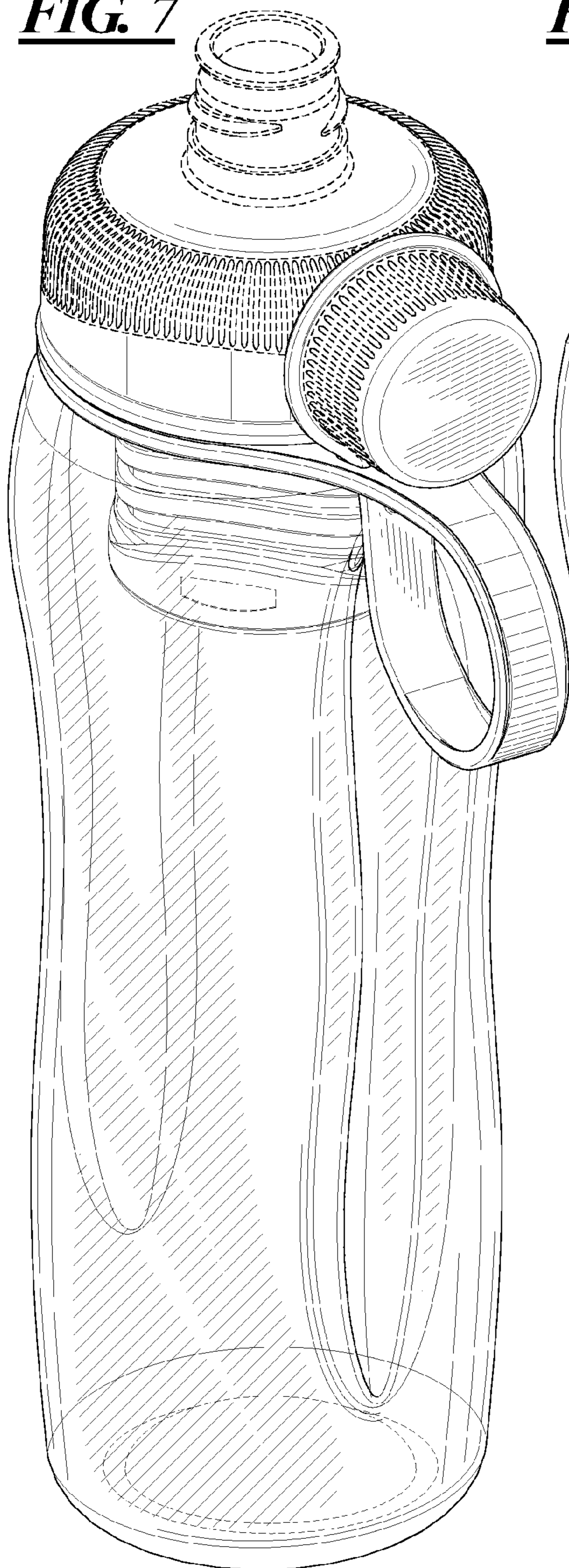
**FIG. 5**



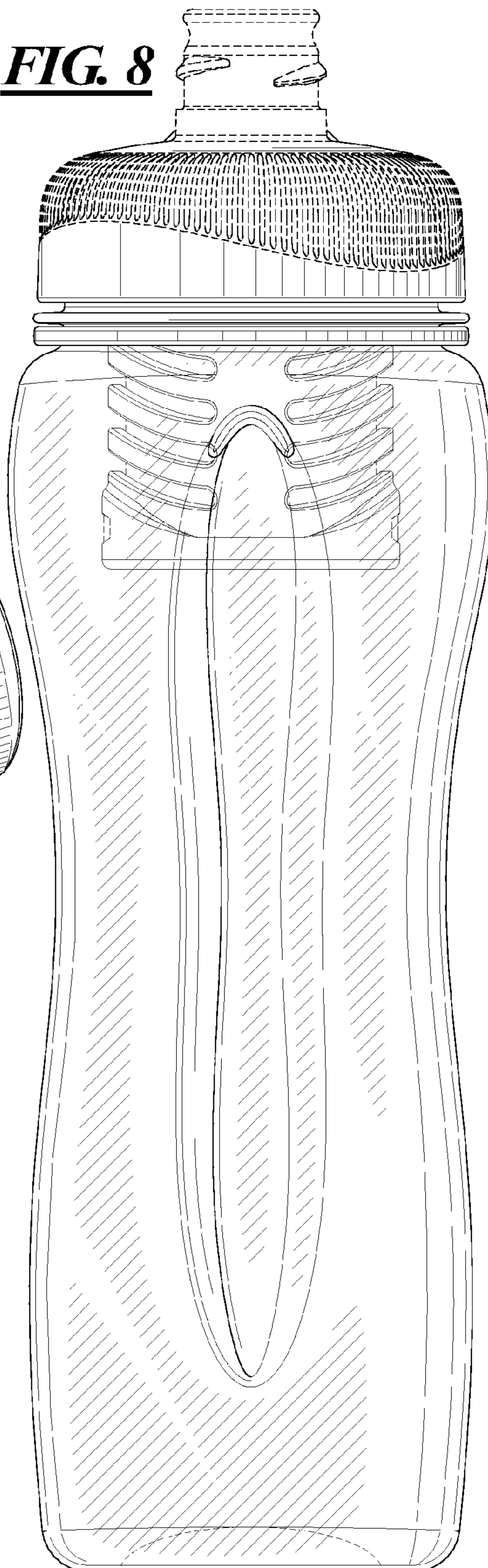
**FIG. 6**



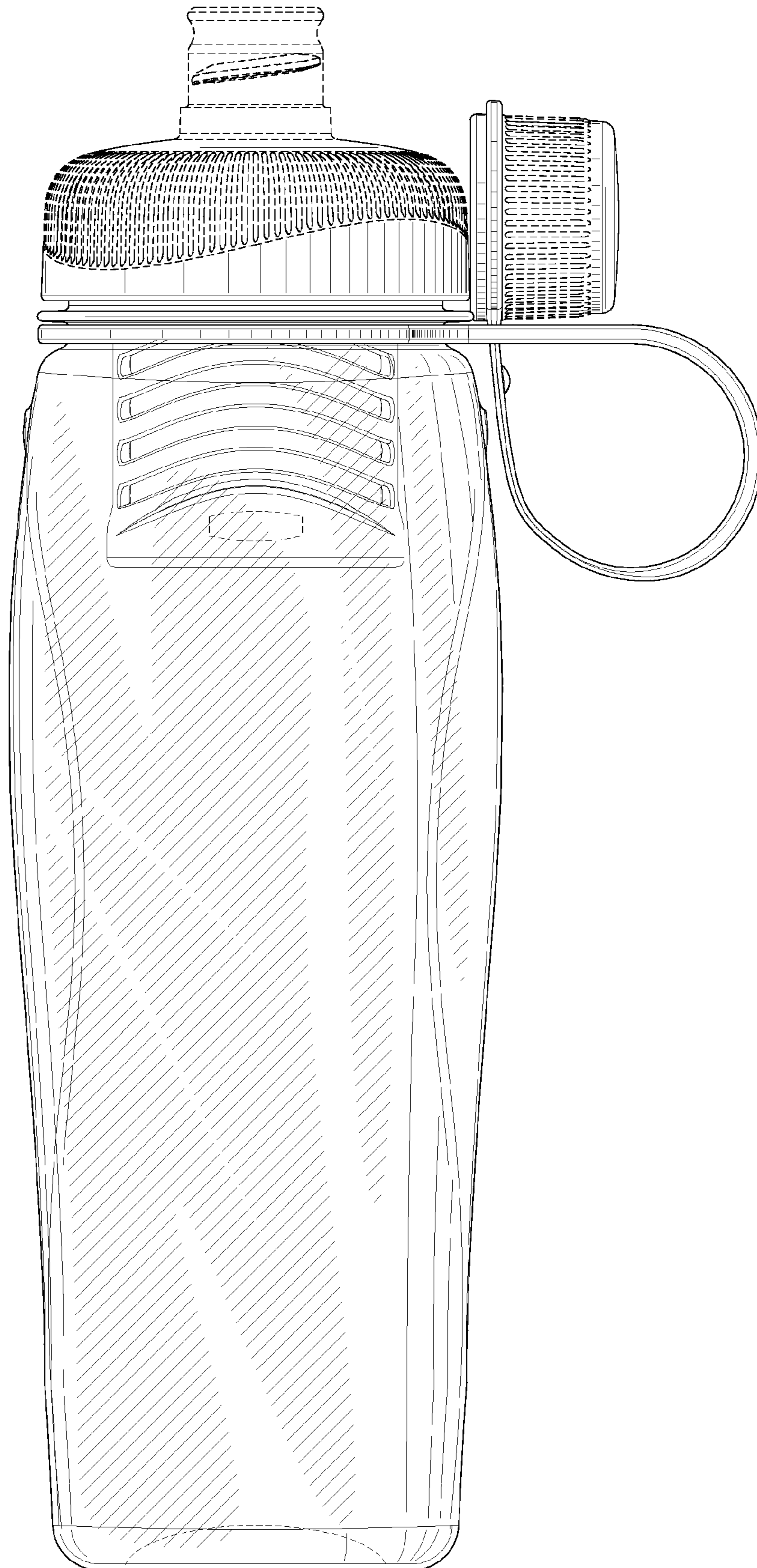
**FIG. 7**



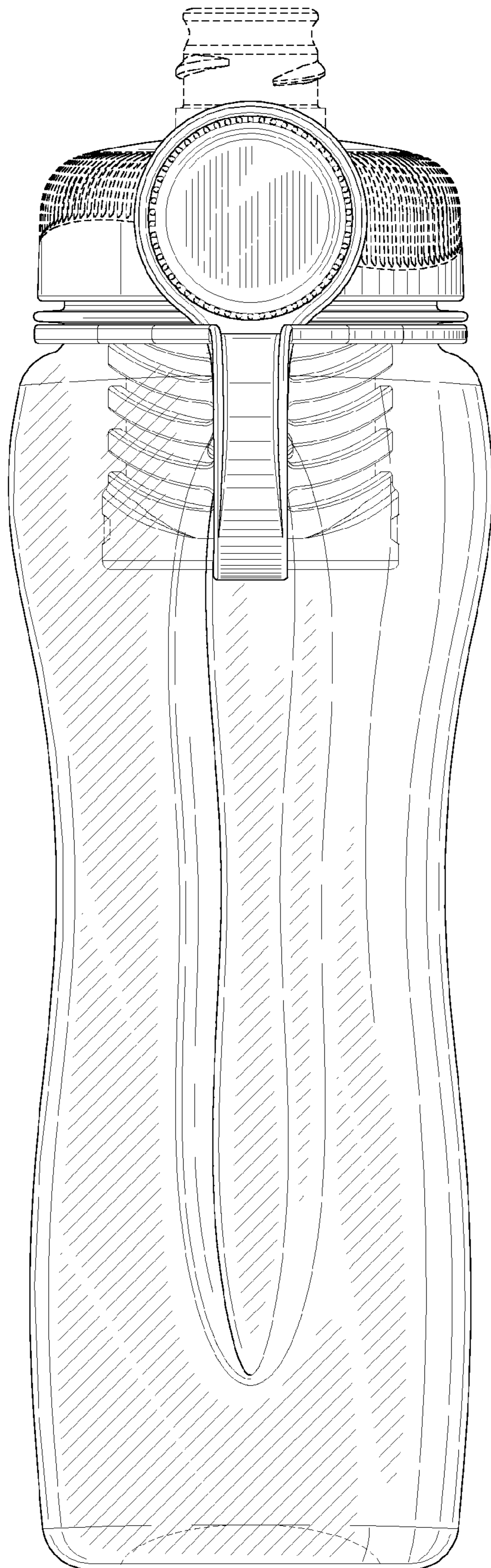
**FIG. 8**



**FIG. 9**

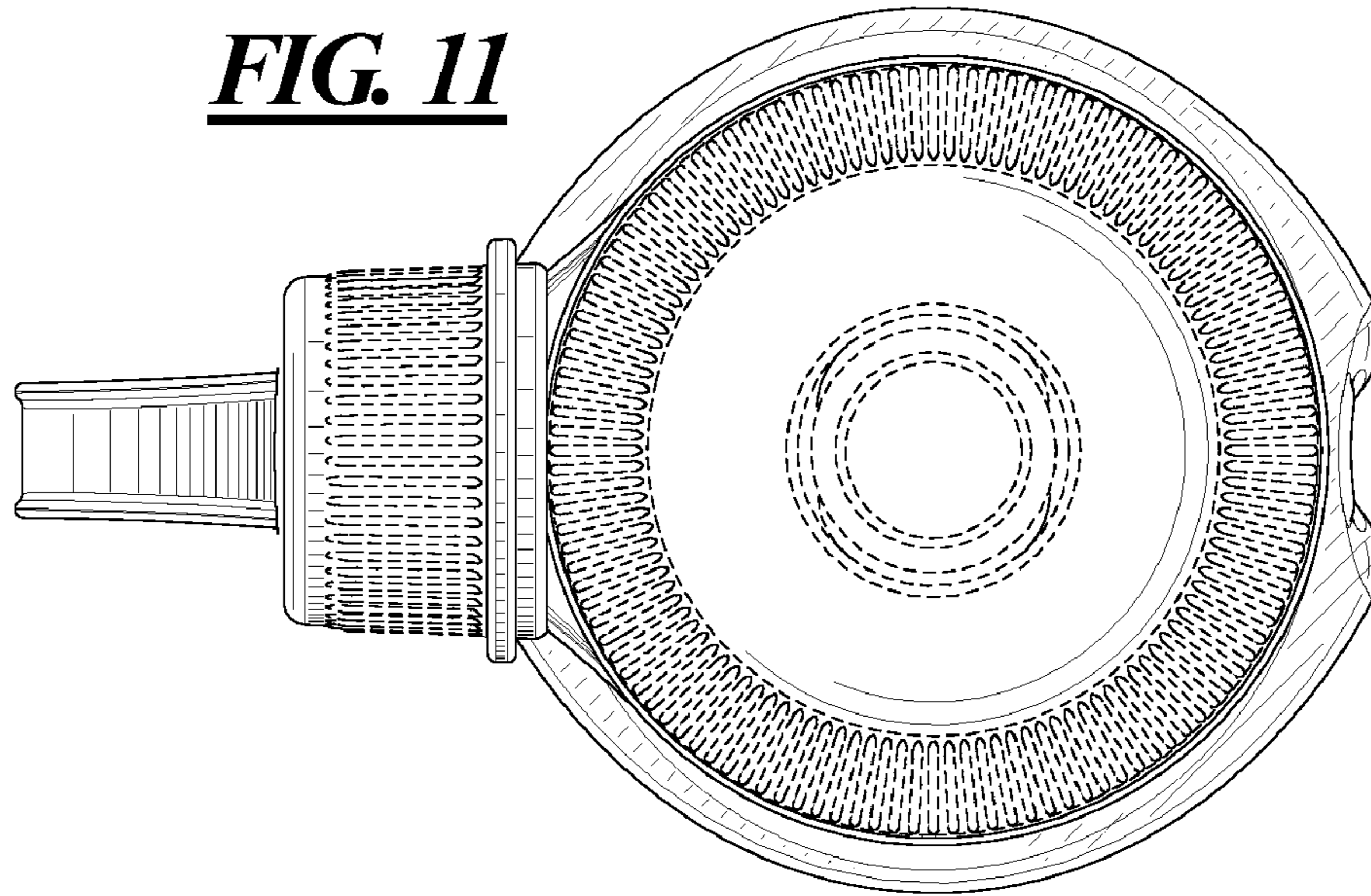






**FIG. 10**

**FIG. 11**



**FIG. 12**

