



US00D596456S

(12) **United States Design Patent**
Coutts et al.

(10) **Patent No.:** **US D596,456 S**
(45) **Date of Patent:** **** Jul. 21, 2009**

(54) **HANDLE FOR A UTENSIL**

(75) Inventors: **John G. Coutts**, Sylvania, OH (US);
Lucie L. Wellner, Pompey, NY (US)

(73) Assignee: **World Tableware Inc.**, Toledo, OH (US)

(**) Term: **14 Years**

(21) Appl. No.: **29/310,471**

(22) Filed: **Aug. 20, 2008**

(51) **LOC (9) Cl.** **07-03**

(52) **U.S. Cl.** **D7/401.2**

(58) **Field of Classification Search** D7/368,
D7/395, 401.2, 642-646, 649-654, 660-669,
D7/675-676, 683, 688-692, 695-696; D8/107,
D8/300, 307, 317; 30/137, 141-143, 147-150,
30/322-327, 329, 340, 342-346; 76/104.1;
416/70 R

See application file for complete search history.

(56) **References Cited**

U.S. PATENT DOCUMENTS

666,012 A * 1/1901 Hirsch 76/104.1

(Continued)

Primary Examiner—Caron Veynar

Assistant Examiner—Ricky Pham

(74) *Attorney, Agent, or Firm*—MacMillan, Sobanski &
Todd, LLC

(57) **CLAIM**

The ornamental design for a handle for a utensil, as shown and described.

DESCRIPTION

FIG. 1 is a top plan view of a handle for a utensil according to the design;

FIG. 2 is a right side elevational view thereof;

FIG. 3 is a bottom plan view thereof;

FIG. 4 is a left side elevational view thereof;

FIG. 5 is a first end elevational view thereof;

FIG. 6 is a second end elevational view thereof;

FIG. 7 is an enlarged cross-sectional view taken along line 7-7 of FIG. 1;

FIG. 8 is a top plan view of an alternative embodiment handle for a utensil according to the design;

FIG. 9 is a right side elevational view thereof;

FIG. 10 is a bottom plan view thereof;

FIG. 11 is a left side elevational view thereof;

FIG. 12 is a first end elevational view thereof;

FIG. 13 is a second end elevational view thereof;

FIG. 14 is an enlarged cross-sectional view taken along line 14-14 of FIG. 8;

FIG. 15 is a top view of the utensil handle in FIGS. 1-7 shown on a spoon;

FIG. 16 is a right side elevational view thereof;

FIG. 17 is a bottom plan view thereof;

FIG. 18 is a left side elevational view thereof;

FIG. 19 is a first end elevational view thereof;

FIG. 20 is a second end elevational view thereof;

FIG. 21 is an enlarged cross-sectional view taken along line 21-21 of FIG. 15;

FIG. 22 is a top plan view of an alternative embodiment handle for a utensil according to the design;

FIG. 23 is a right side elevational view thereof;

FIG. 24 is a bottom plan view thereof;

FIG. 25 is a left side elevational view thereof;

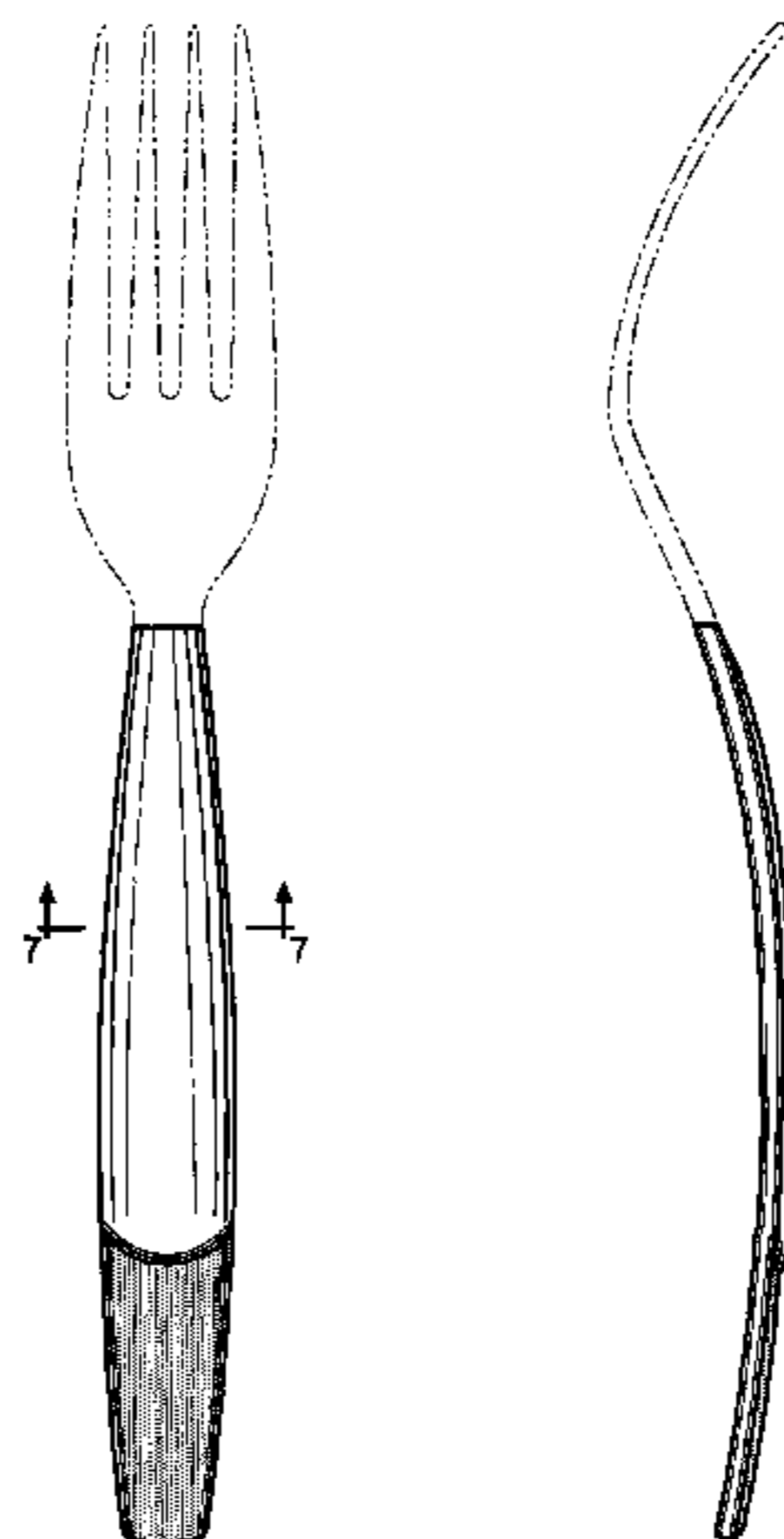
FIG. 26 is a first end elevational view thereof;

FIG. 27 is a second end elevational view thereof; and,

FIG. 28 is an enlarged cross-sectional view taken along line 28-28 of FIG. 22.

The broken lines shown in FIGS. 1-4, 8-11, 15-18 and 22-25 are illustrative of environmental structure only and form no part of the claimed design.

1 Claim, 12 Drawing Sheets



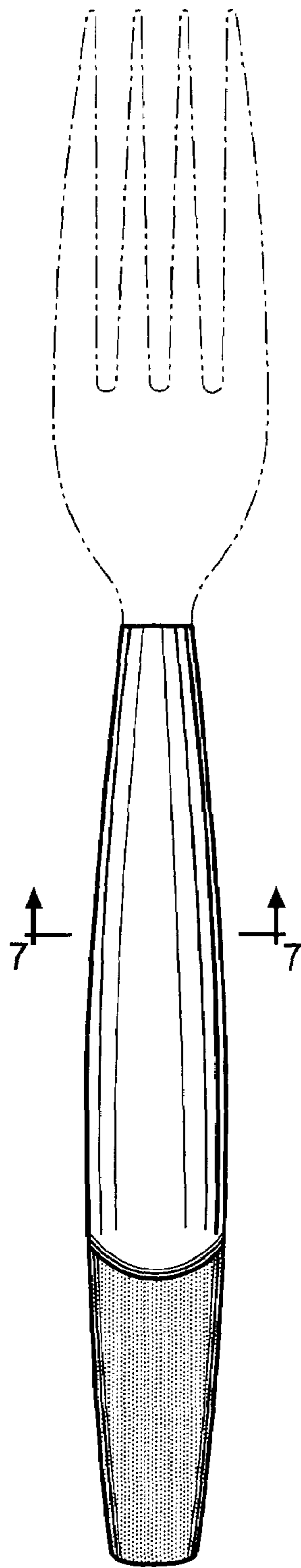
US D596,456 S

Page 2

U.S. PATENT DOCUMENTS

D153,616 S	*	5/1949	Mercer	D7/664	D431,759 S	*	10/2000	Junko	D7/653
D179,281 S	*	11/1956	Conroy	D7/664	D434,274 S	*	11/2000	Kerman	D7/401.2
D407,611 S	*	4/1999	Shane-Schuldt	D7/653	D434,281 S	*	11/2000	Guodace	D7/645
D408,217 S	*	4/1999	LoGiudice	D7/401.2	D454,284 S	*	3/2002	Junko	D7/653
D414,986 S	*	10/1999	Mulhauser et al.	D7/401.2	D555,432 S	*	11/2007	Gartz et al.	D7/653

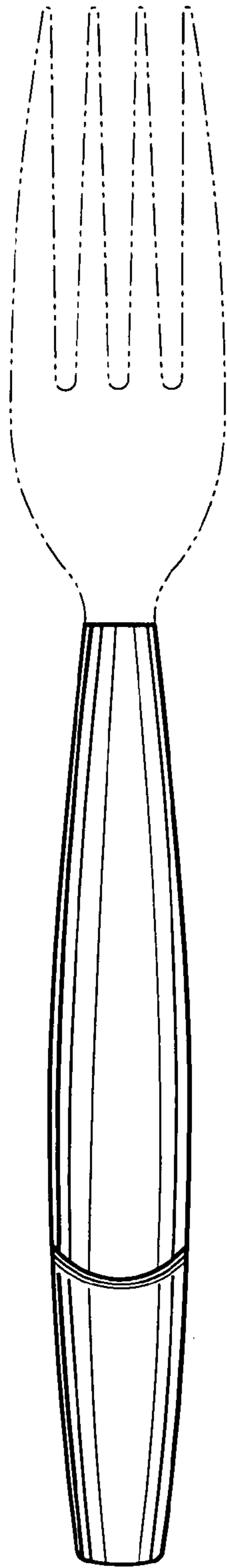
* cited by examiner



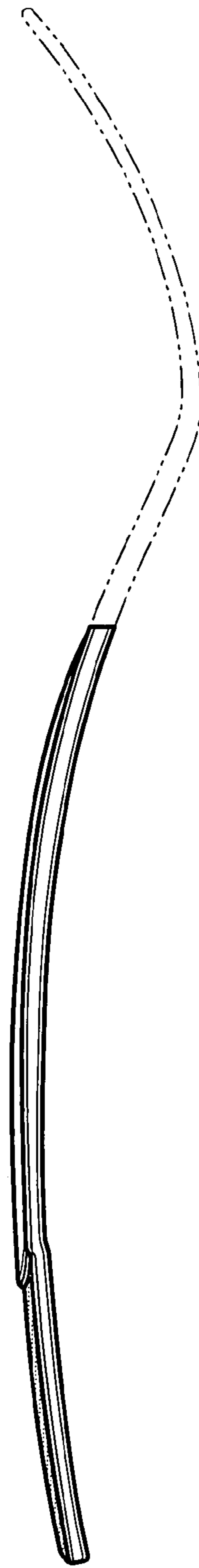
—FIG. 1



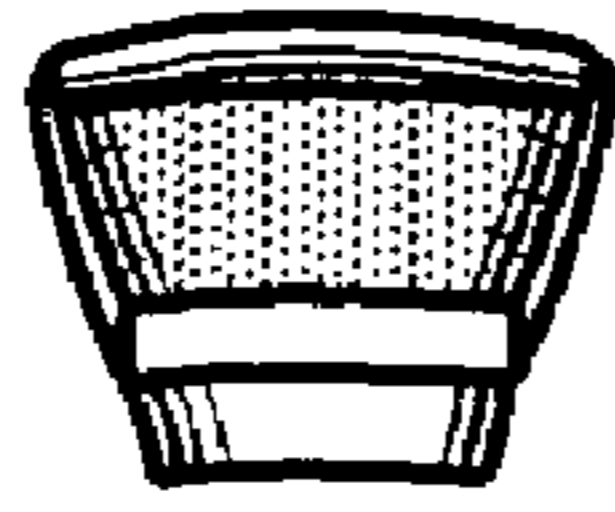
—FIG. 2



—FIG. 3



—FIG. 4



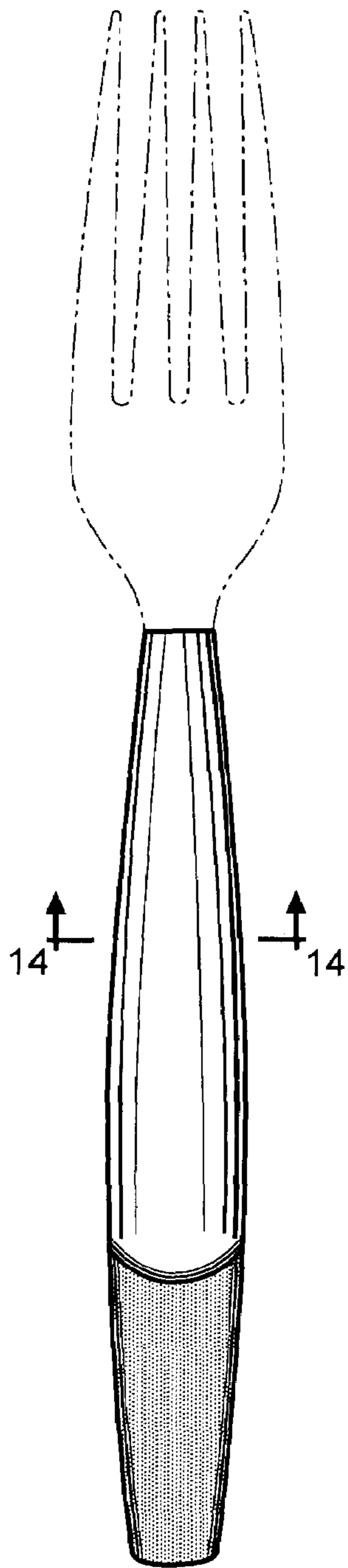
—FIG. 5



—FIG. 6



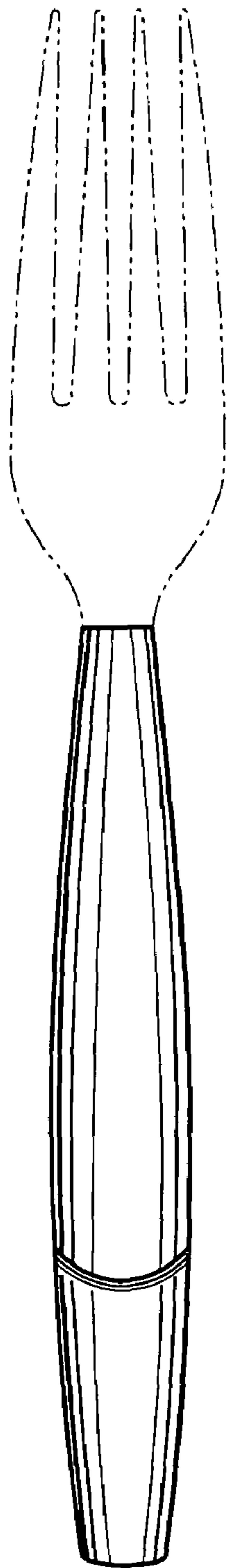
—FIG. 7



—FIG. 8



—FIG. 9



— FIG. 10



— FIG. 11



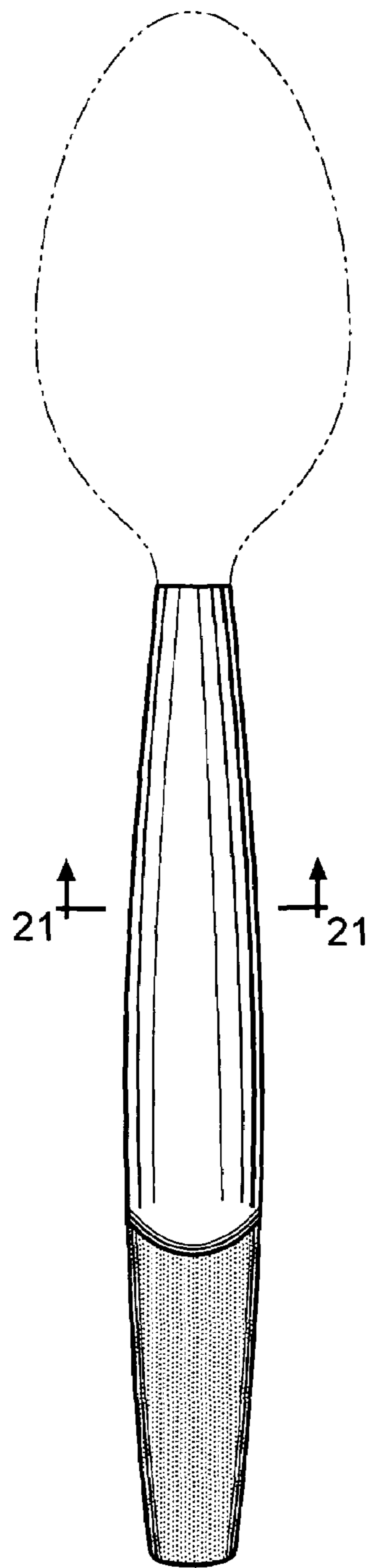
—FIG. 12



—FIG. 13



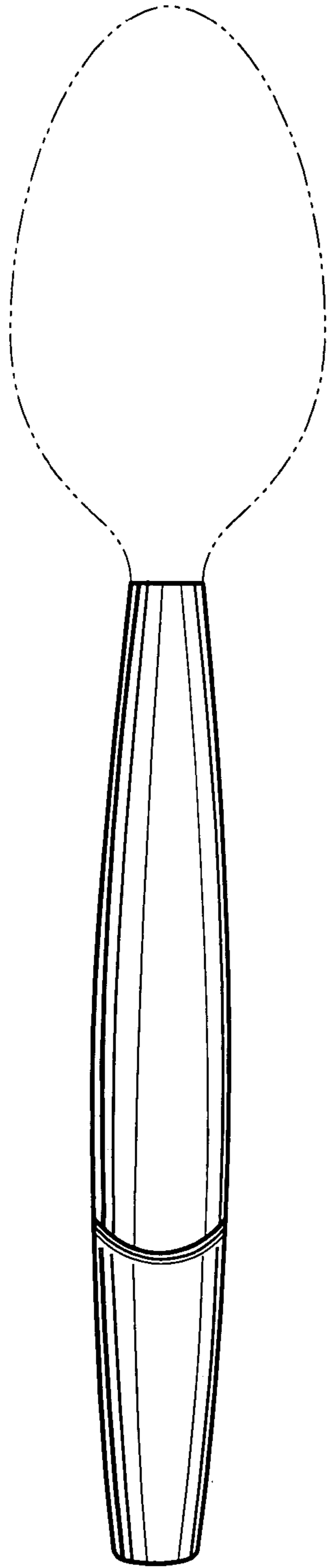
—FIG. 14



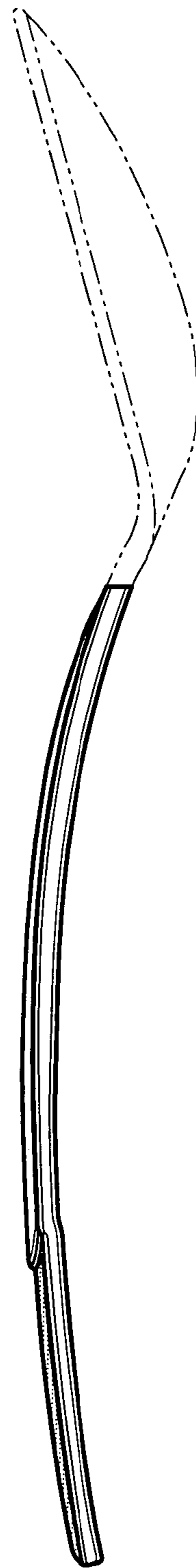
—FIG. 15



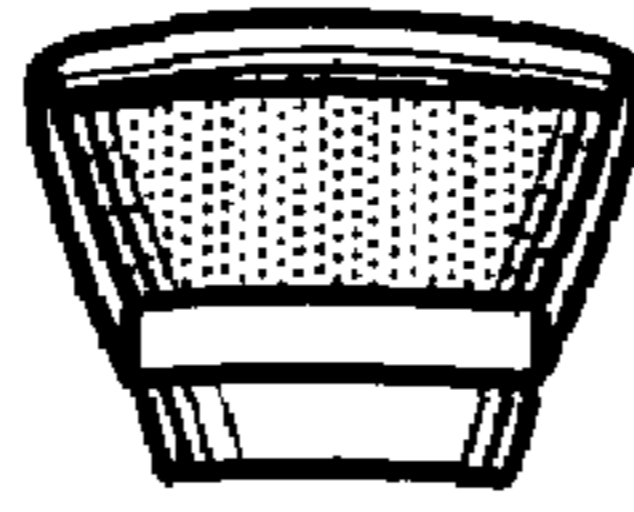
—FIG. 16



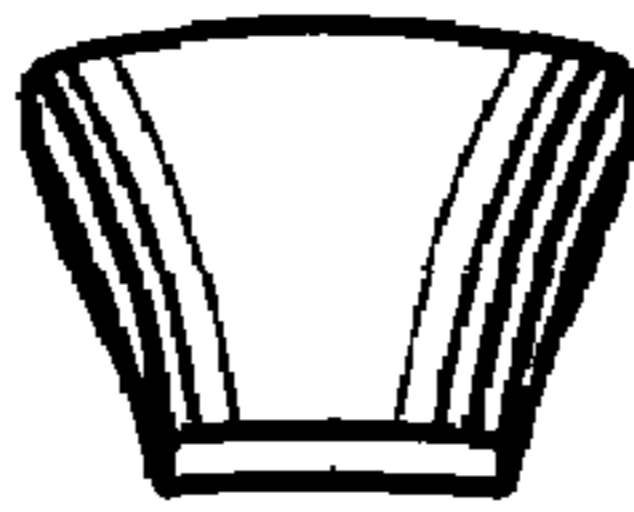
— FIG. 17



— FIG. 18



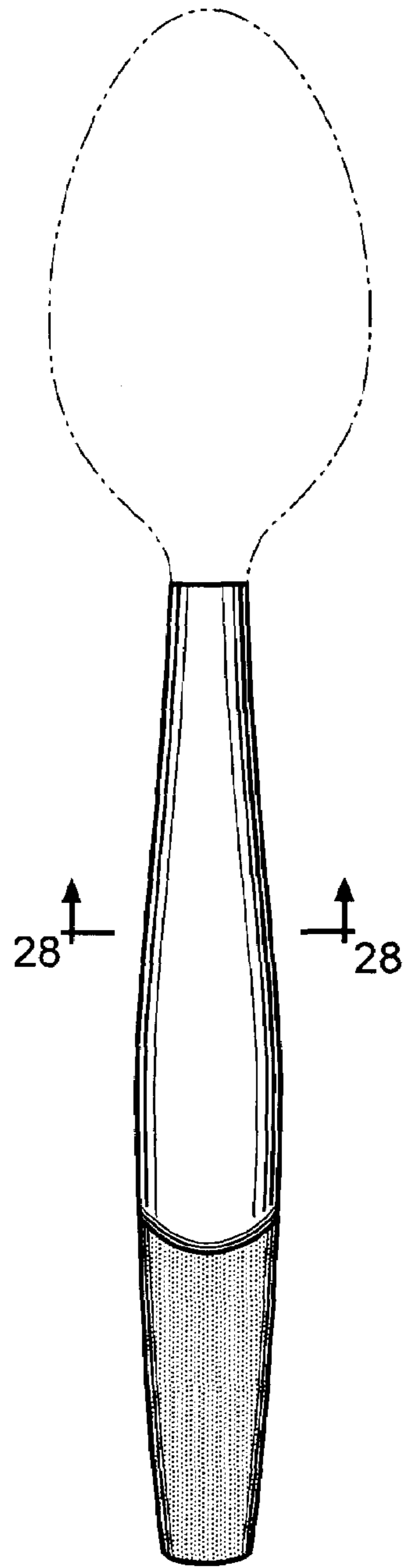
—FIG. 19



—FIG. 20

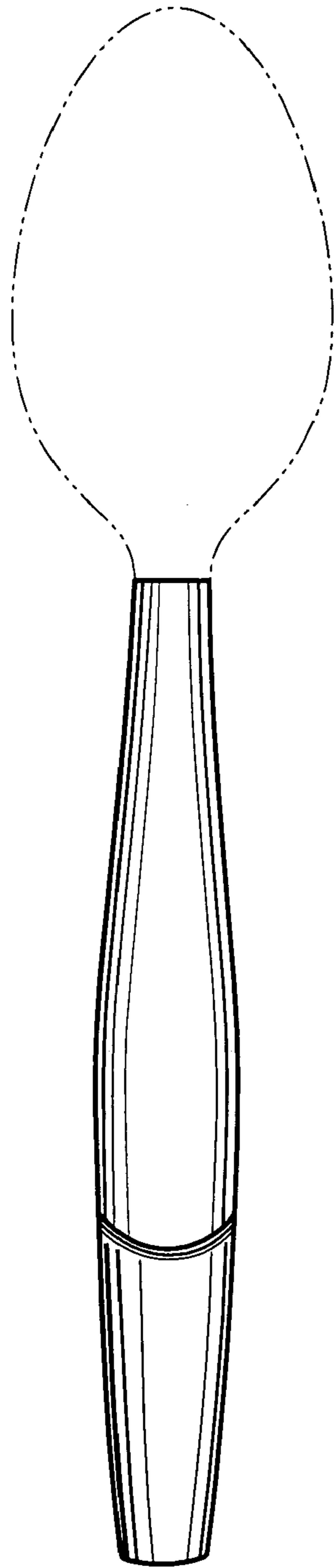


—FIG. 21



—FIG. 22

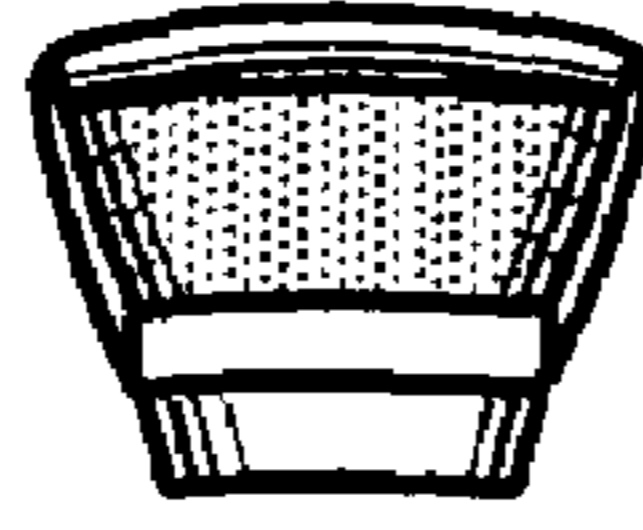
—FIG. 23



—FIG. 24



—FIG. 25



—FIG. 26



—FIG. 27



—FIG. 28