



US00D596455S

(12) **United States Design Patent**
Laib

(10) **Patent No.:** **US D596,455 S**
(45) **Date of Patent:** **** Jul. 21, 2009**

(54) **COVER FOR A FOOD CONTAINER**

(75) Inventor: **Douglas M. Laib**, Orlando, FL (US)

(73) Assignee: **Dart Industries Inc.**, Orlando, FL (US)

(**) Term: **14 Years**

(21) Appl. No.: **29/310,988**

(22) Filed: **Sep. 23, 2008**

(51) **LOC (9) Cl.** **07-02**

(52) **U.S. Cl.** **D7/392.1**

(58) **Field of Classification Search** D7/391,

D7/392, 392.1, 629, 538; D9/428, 434, 435,
D9/439, 452-454, 505, 558, 569; 220/210,
220/700, 701, 780, 782, 315, 377, 800; 215/200,
215/224, 316, 354; 206/508

See application file for complete search history.

(56) **References Cited**

U.S. PATENT DOCUMENTS

26,820 A	1/1860	Patton	
734,047 A	7/1903	Crissy	
2,913,140 A *	11/1959	Vuilleminot 220/210
3,140,007 A	7/1964	Nettleship	
3,494,504 A	2/1970	Jackson	
4,316,550 A	2/1982	de Winter	
D268,482 S	4/1983	Mineo	
4,401,228 A	8/1983	Baldelli	
D290,326 S	6/1987	Daenen et al.	
D296,081 S	6/1988	Kuboshima	
D296,523 S	7/1988	Corno et al.	
D333,065 S	2/1993	Murphy	
D336,817 S	6/1993	Wilcox, Jr.	
D361,512 S	8/1995	Dalmaz	

D394,184 S	5/1998	Demore	
D397,586 S	9/1998	Bowers	
D459,630 S *	7/2002	Arduini D7/391
D467,803 S	12/2002	Brown et al.	
6,513,549 B2	2/2003	Chen	
D475,240 S *	6/2003	Trombly D7/392.1
D479,802 S *	9/2003	Arduini D9/505
D491,062 S *	6/2004	Hoff D9/435
D513,985 S *	1/2006	Erdie D9/439
D515,865 S *	2/2006	Kim D7/392.1
D517,861 S *	3/2006	Kim D7/392.1
D533,396 S *	12/2006	Lipson D7/392.1
7,204,383 B2	4/2007	Hsu	
D563,785 S *	3/2008	Maki et al. D9/454
D564,877 S *	3/2008	Hood et al. D9/454
D575,114 S *	8/2008	Moghavem D7/629

* cited by examiner

Primary Examiner—Holly H Baynham

Assistant Examiner—Cynthia M Chin

(74) *Attorney, Agent, or Firm*—John A. Doninger

(57) **CLAIM**

The ornamental design for a cover for a food container, as shown and described.

DESCRIPTION

FIG. 1 is a top, side and front perspective view of a cover for a food container showing my new design;

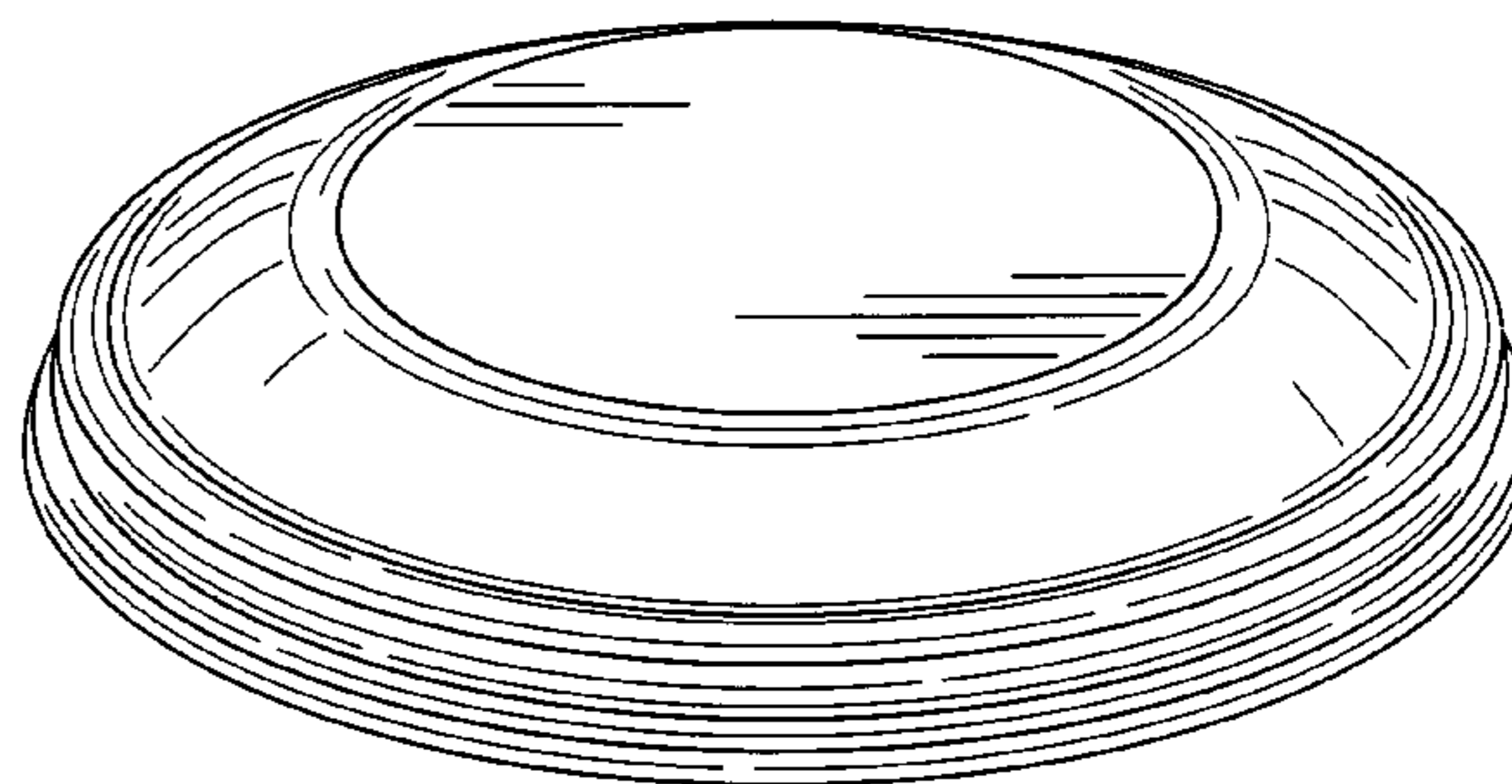
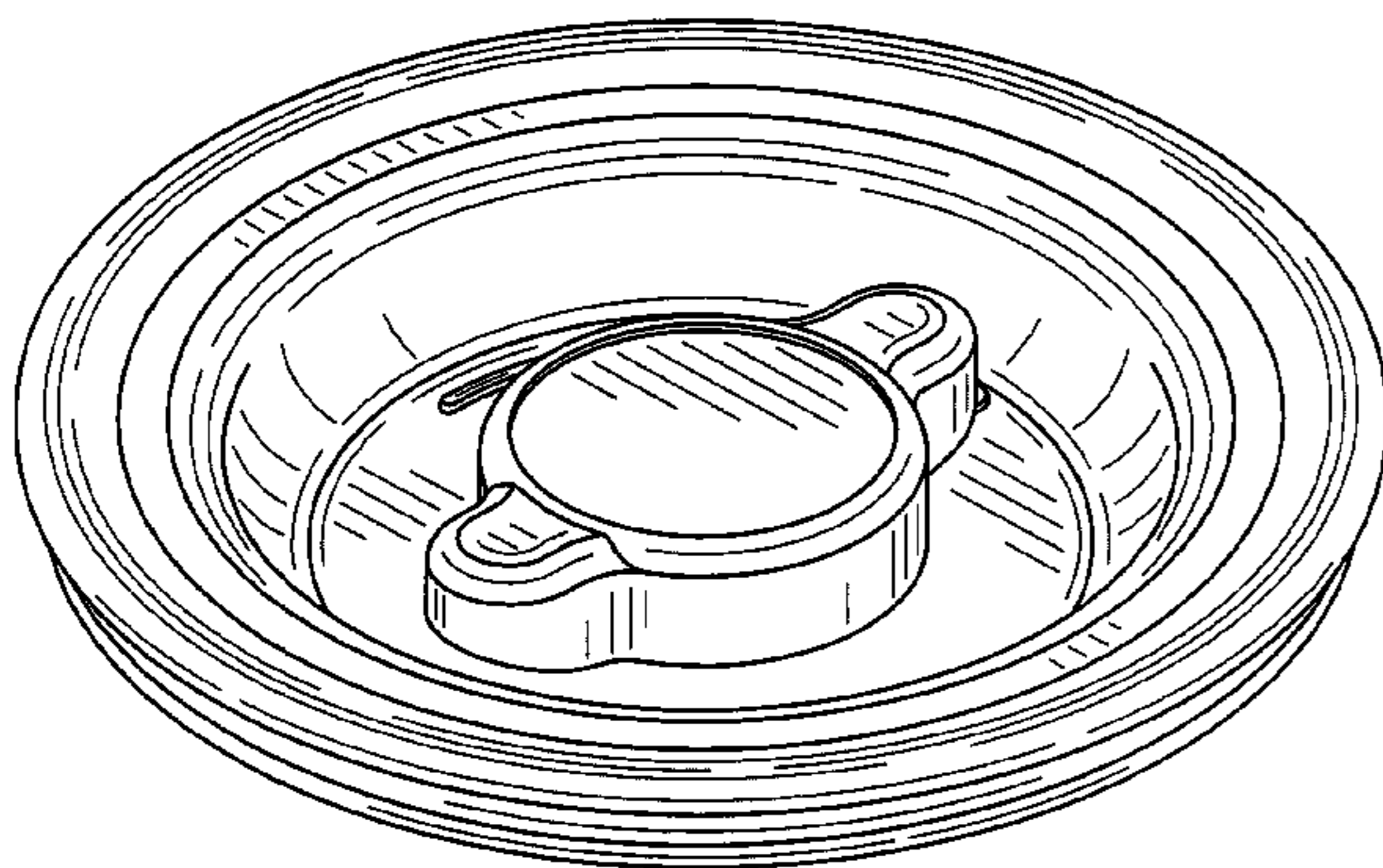
FIG. 2 is a front elevation view; the rear, left side and right side elevations being identical thereto;

FIG. 3 is a top plan view thereof;

FIG. 4 is a bottom plan view thereof; and,

FIG. 5 is a bottom, side and rear perspective view thereof.

1 Claim, 4 Drawing Sheets



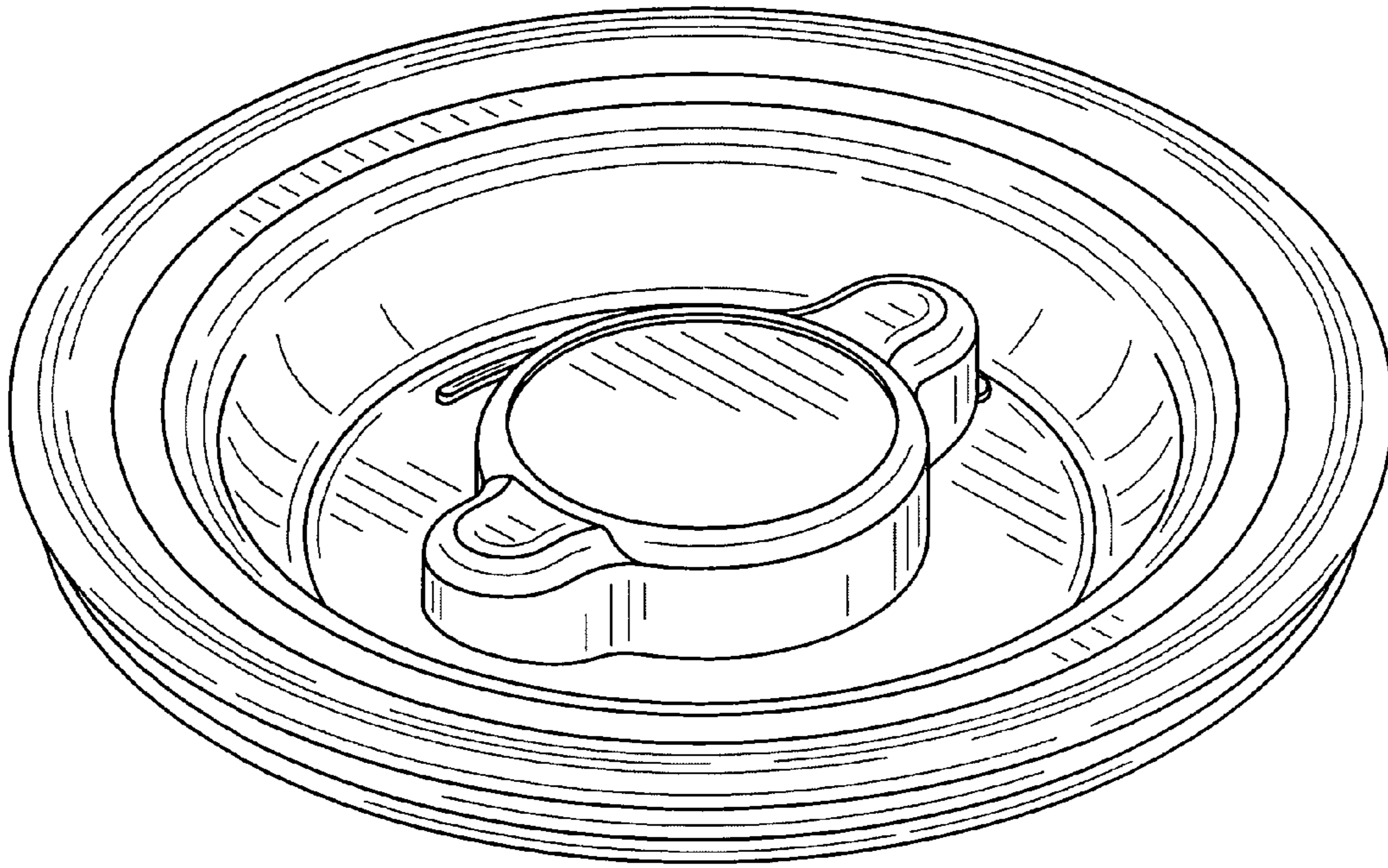


FIG. 1

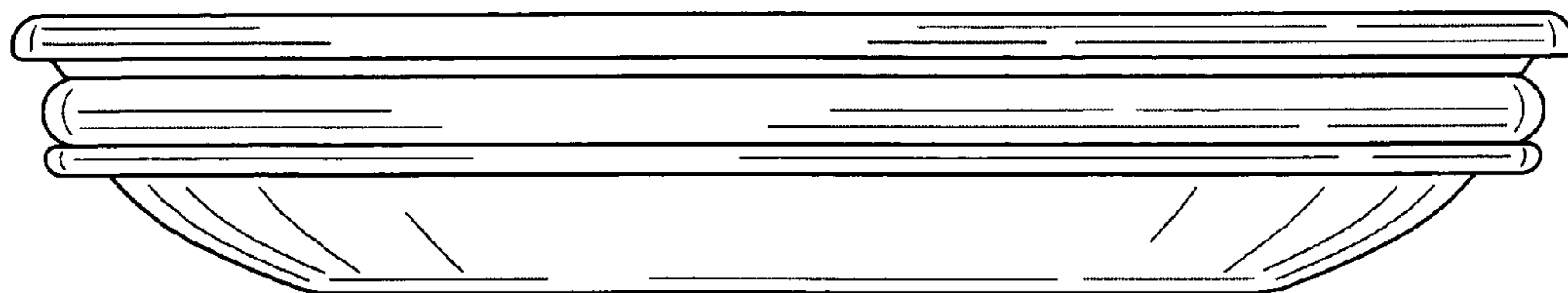


FIG. 2

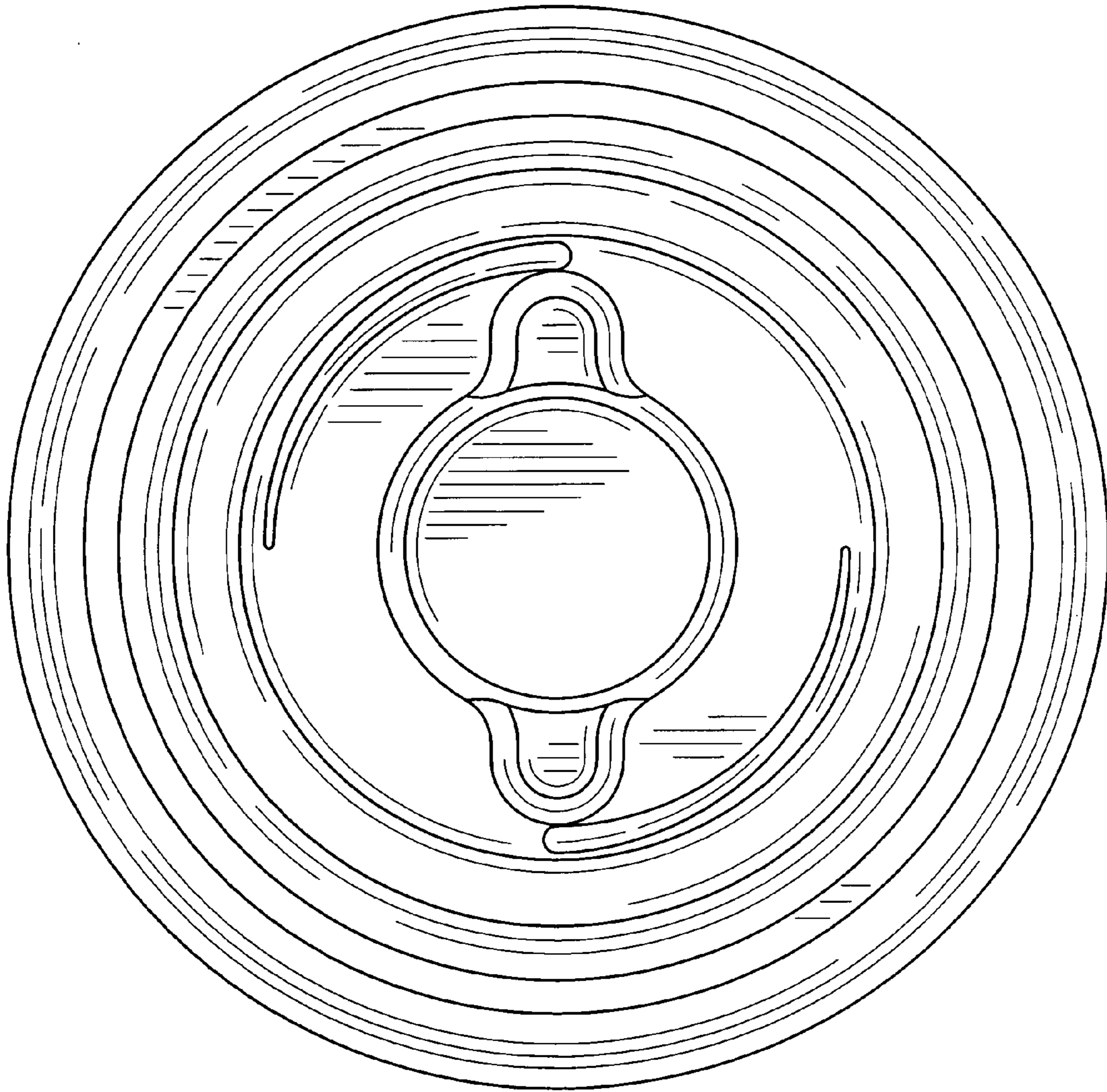


FIG. 3

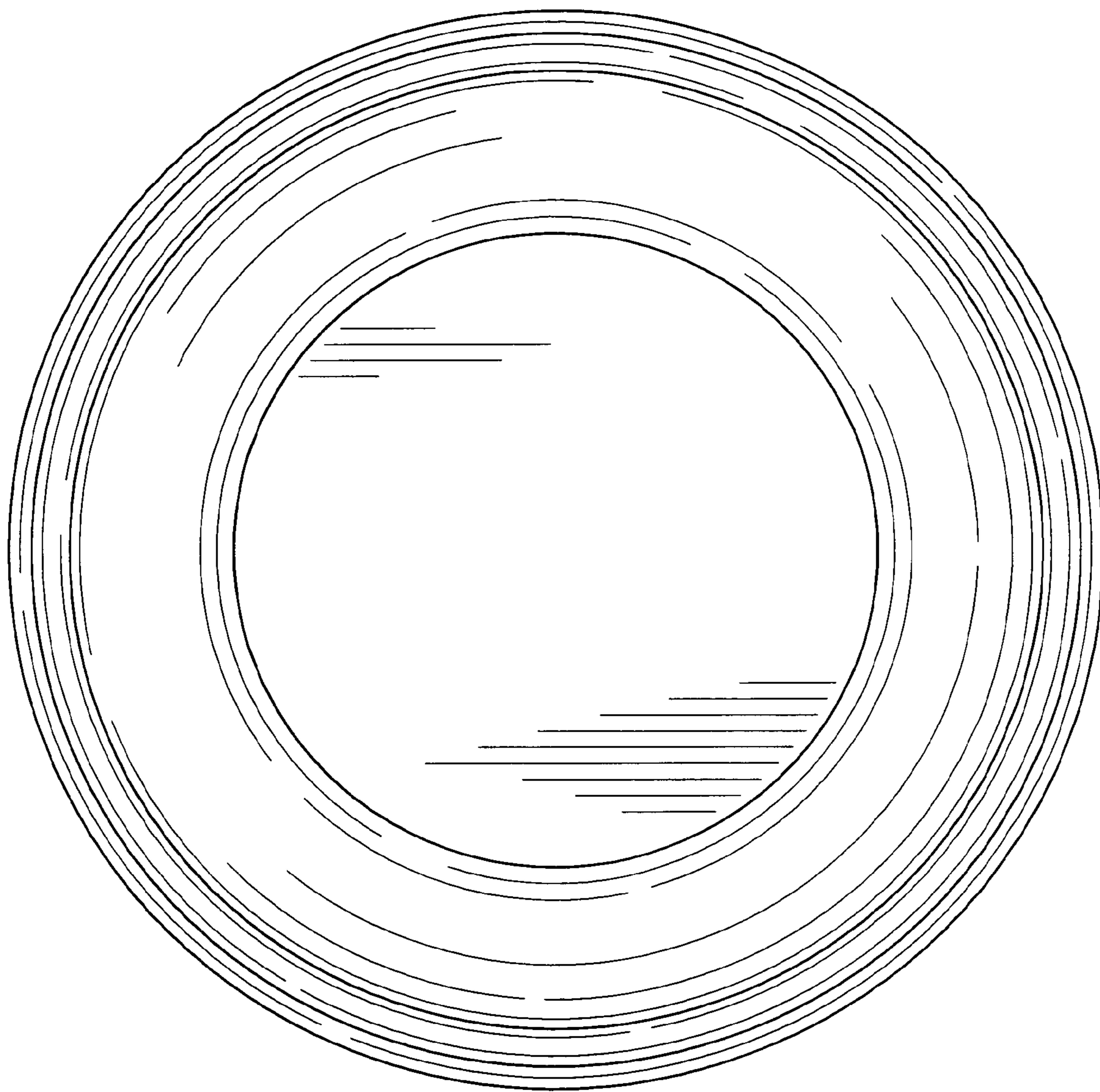


FIG. 4

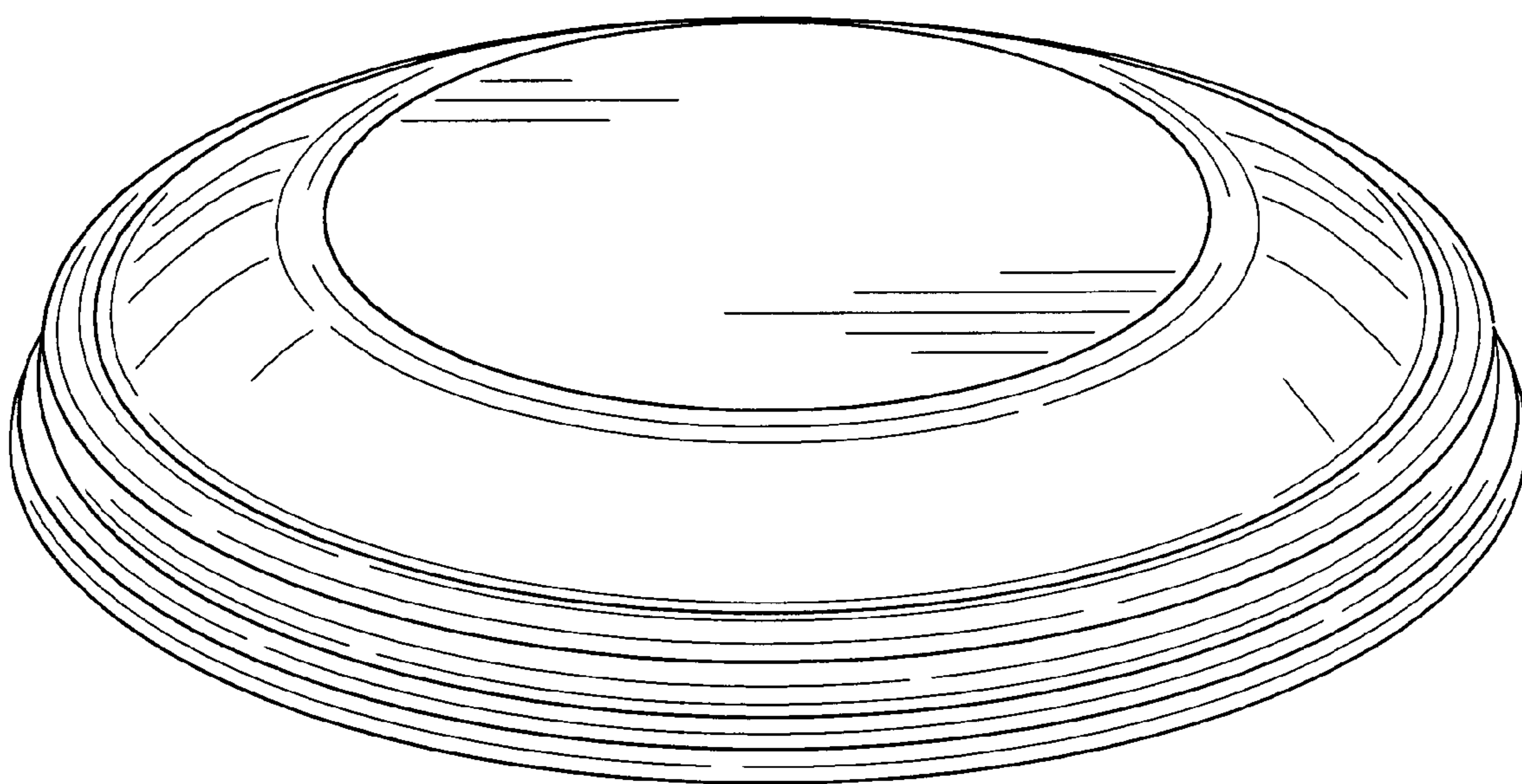


FIG. 5