



US00D596433S

(12) **United States Design Patent**
Brewster

(10) **Patent No.:** **US D596,433 S**

(45) **Date of Patent:** **** Jul. 21, 2009**

(54) **PAPER TOWEL HOLDER**

(76) **Inventor:** **Florazine Brewster**, 601 Owen Ave.,
Bessemer, AL (US) 35020

(**) **Term:** **14 Years**

(21) **Appl. No.:** **29/332,868**

(22) **Filed:** **Feb. 26, 2009**

(51) **LOC (9) Cl.** **20-02**

(52) **U.S. Cl.** **D6/521**

(58) **Field of Classification Search** D6/518-523;
206/389, 391; 211/13.1, 59.1, 45, 890.1;
242/570, 590; 248/309.1, 309.2

See application file for complete search history.

(56) **References Cited**

U.S. PATENT DOCUMENTS

2,534,290	A	12/1950	Moskowitz	
4,273,392	A	6/1981	Stinson	
4,765,475	A	8/1988	Kaysserian	
4,898,335	A	2/1990	Eysink	
5,301,888	A	4/1994	Danzi	
D367,388	S	2/1996	Essman	
D459,929	S	7/2002	Snell	
D489,558	S	5/2004	Snell	
D499,915	S	* 12/2004	Snell D6/521

D517,846	S	*	3/2006	Goodman et al.	D6/521
D522,292	S	*	6/2006	Goodman et al.	D6/521
D539,581	S	*	4/2007	Upadhye	D6/520
D555,953	S	*	11/2007	Vordenberg	D6/521
D576,825	S	*	9/2008	Goodman et al.	D6/521

* cited by examiner

Primary Examiner—Brian N Vinson

(57) **CLAIM**

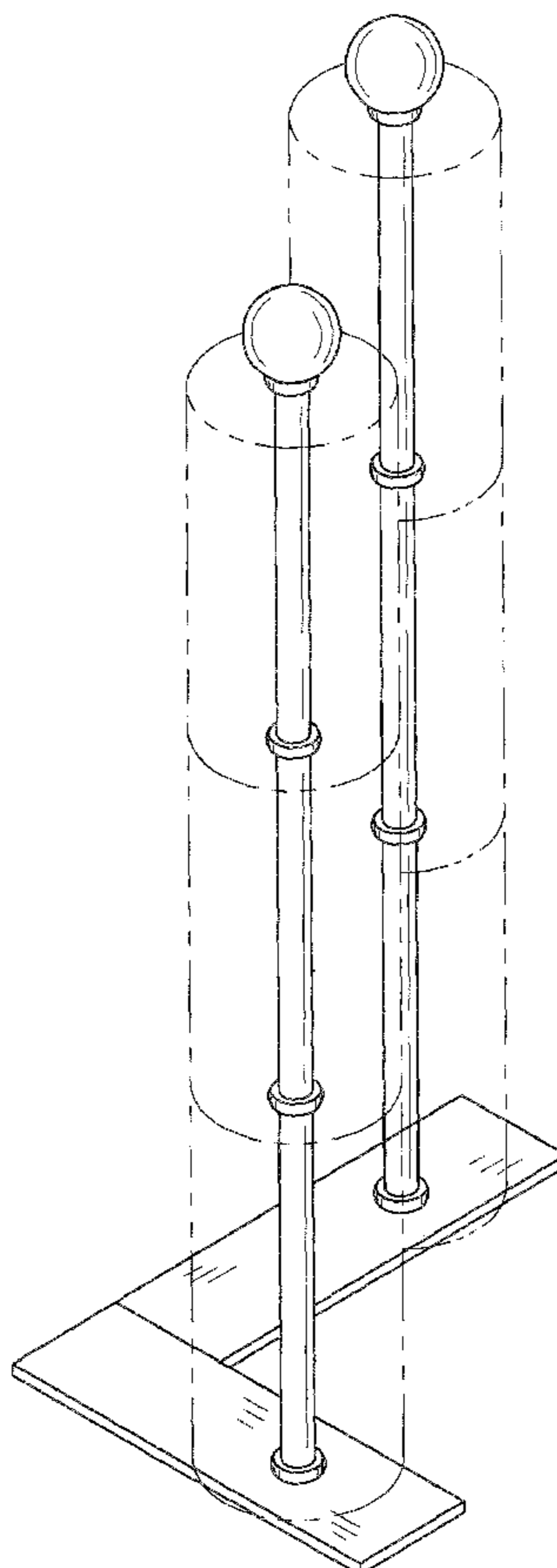
The ornamental design for a paper towel holder, as shown.

DESCRIPTION

FIG. 1 is a perspective view of a paper towel holder;
FIG. 2 is a side view thereof;
FIG. 3 is a front view thereof;
FIG. 4 is a side view thereof;
FIG. 5 is a top view thereof; and,
FIG. 6 is a bottom view thereof.

In FIG. 1, the broken line showing of environmental structure for purposes of illustrating the paper towel holder in a condition of use. The broken lines and the structure they depict form no part of the claimed design.

1 Claim, 5 Drawing Sheets



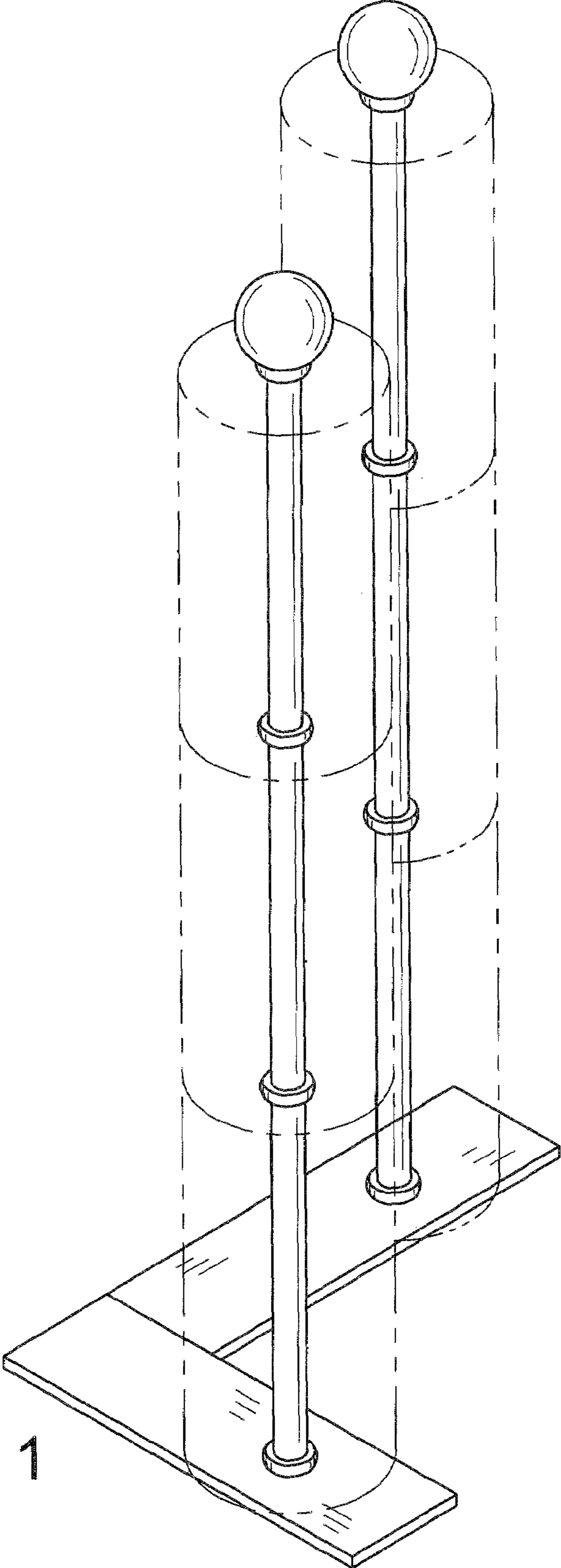


FIG. 1

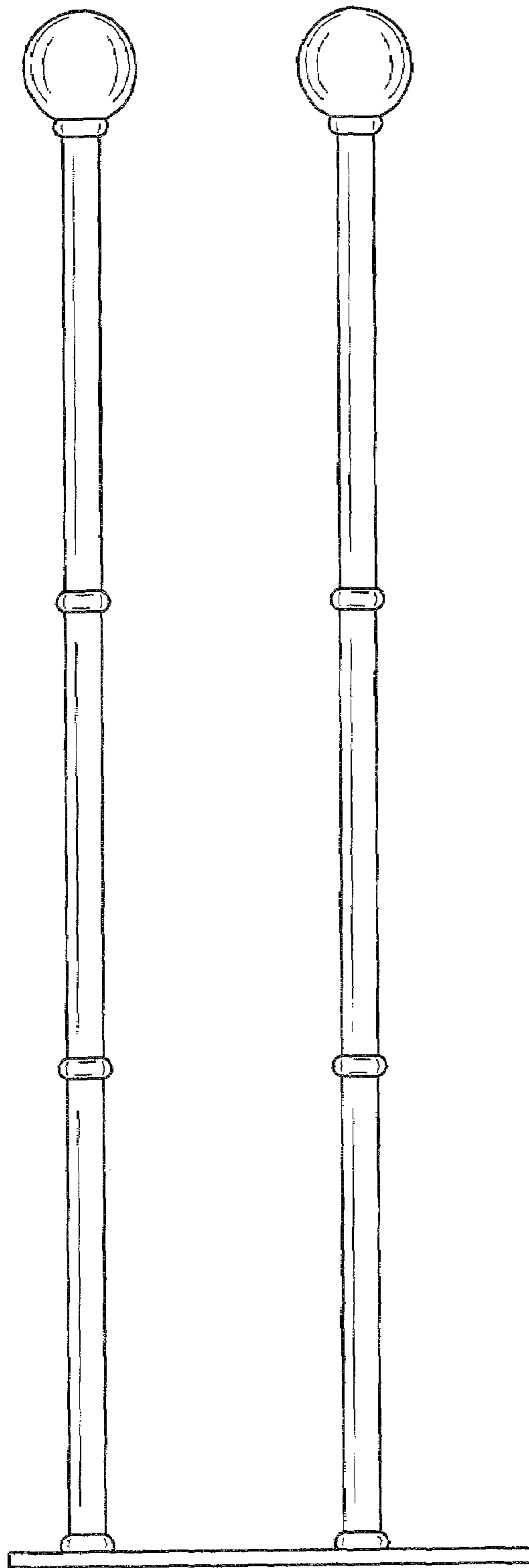


FIG. 2

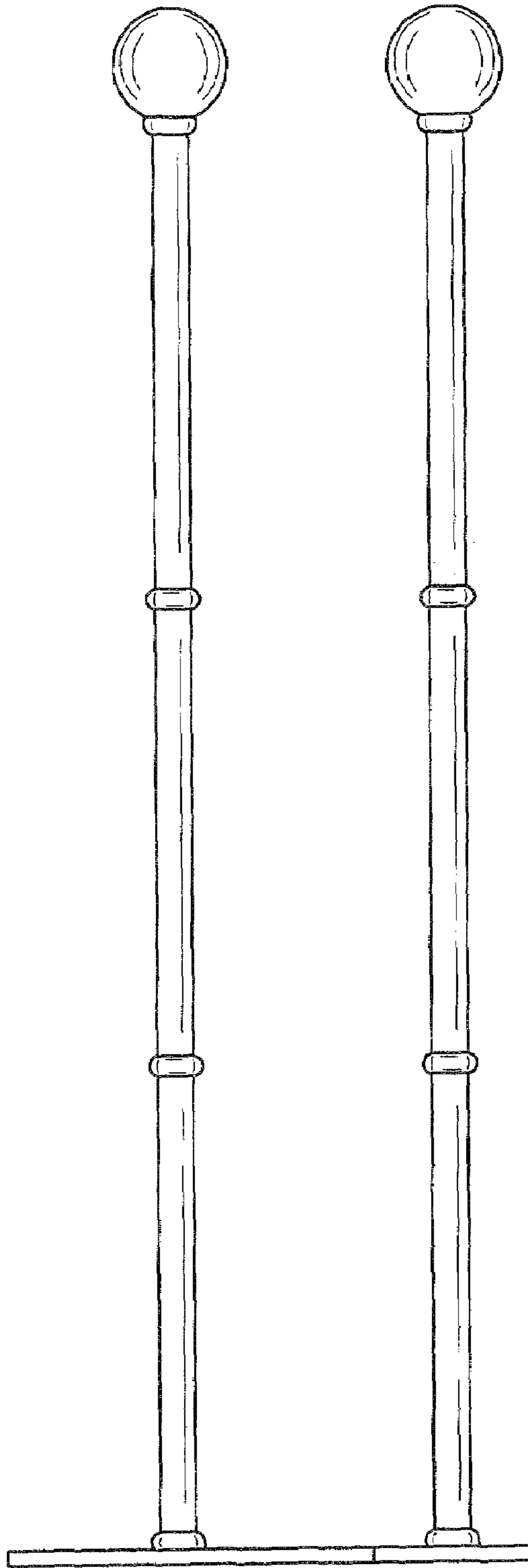


FIG. 3

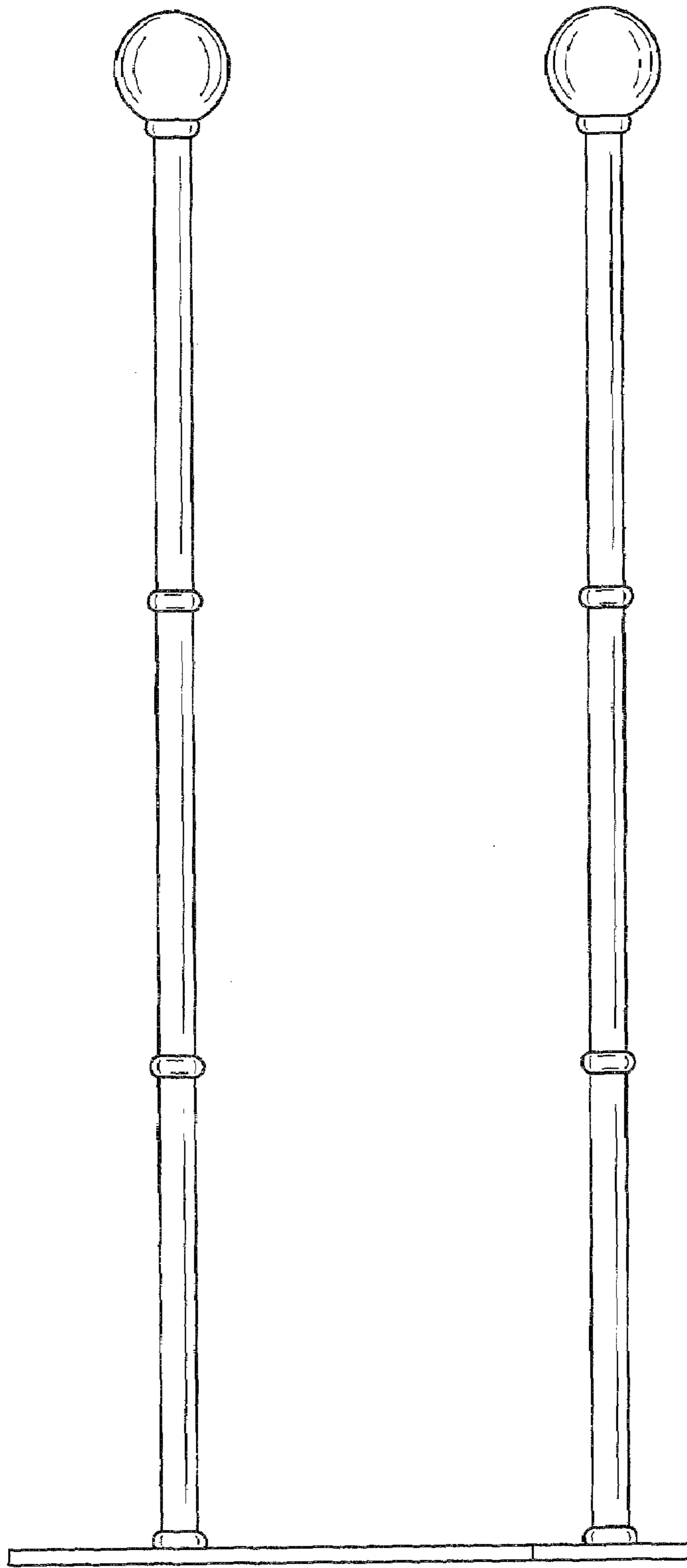


FIG. 4

FIG. 5

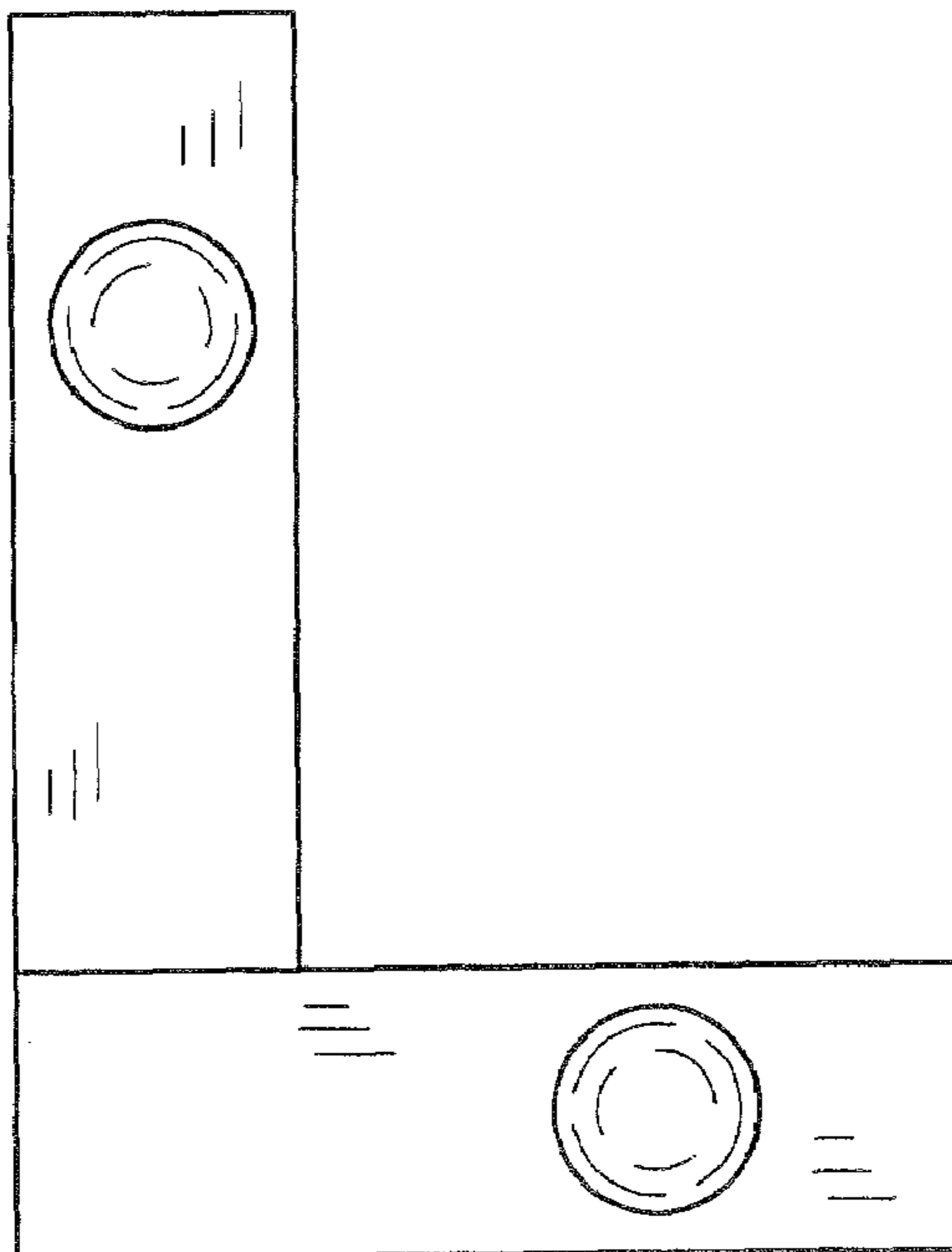


FIG. 6

