



US00D596431S

(12) **United States Design Patent**
Berger

(10) **Patent No.:** **US D596,431 S**

(45) **Date of Patent:** **** Jul. 21, 2009**

(54) **DRAWER ORGANIZER**

(75) Inventor: **Andrew L. Berger**, Des Plaines, IL (US)

(73) Assignee: **Axis International Marketing, Inc.**,
Des Plaines, IL (US)

(**) Term: **14 Years**

(21) Appl. No.: **29/324,784**

(22) Filed: **Sep. 19, 2008**

(51) **LOC (9) Cl.** **06-04**

(52) **U.S. Cl.** **D6/510**

(58) **Field of Classification Search** D6/510-511,
D6/491-492, 396, 509, 449, 475-476; 220/529;
211/184; 312/348.3

See application file for complete search history.

(56) **References Cited**

U.S. PATENT DOCUMENTS

381,143	A	4/1888	Kimbal	
958,857	A	5/1910	Dennis	
3,003,640	A	10/1961	Katzon	
3,453,434	A	7/1969	Takami et al.	
4,305,629	A	12/1981	Friis	
4,889,253	A	12/1989	Schmulian et al.	
4,909,406	A	3/1990	Wu	
4,982,857	A	1/1991	Sher	
4,993,786	A	2/1991	De Giulio	
5,016,772	A	5/1991	Wilk	
5,031,769	A	7/1991	Shea et al.	
5,139,186	A	8/1992	Loew et al.	
5,257,693	A	11/1993	Kwasniak	
5,385,230	A	1/1995	Nygaard et al.	
D371,021	S *	6/1996	Pine et al.	D6/449
5,607,213	A	3/1997	Silvon et al.	
D388,823	S *	1/1998	Bright	D19/34.1
5,738,425	A	4/1998	Rosenberg et al.	
D421,554	S	3/2000	Govrik	
6,082,537	A	7/2000	Quinn	
982,708	A1	4/2001	Bui	
D444,999	S	7/2001	Govrik et al.	
6,467,622	B1	10/2002	Hull	
D473,080	S *	4/2003	Kellogg	D6/491

D485,458	S	1/2004	Govrik et al.	
D488,353	S	4/2004	Govrik et al.	
D495,539	S *	9/2004	Sjoberg	D6/509
D503,881	S	4/2005	Govrik et al.	
D507,915	S *	8/2005	Nagel	D6/511
D512,279	S	12/2005	Berger et al.	
6,991,307	B2	1/2006	Hoenig	
D515,881	S	2/2006	Berger et al.	
D521,777	S *	5/2006	Gusdorf et al.	D6/511
7,066,563	B2	6/2006	Berger	

FOREIGN PATENT DOCUMENTS

DE	102005057612	2/2005
JP	10002663 A	1/1998

Primary Examiner—Elizabeth A Albert
Assistant Examiner—Kelley A Donnelly
(74) *Attorney, Agent, or Firm*—Cardinal Law Group

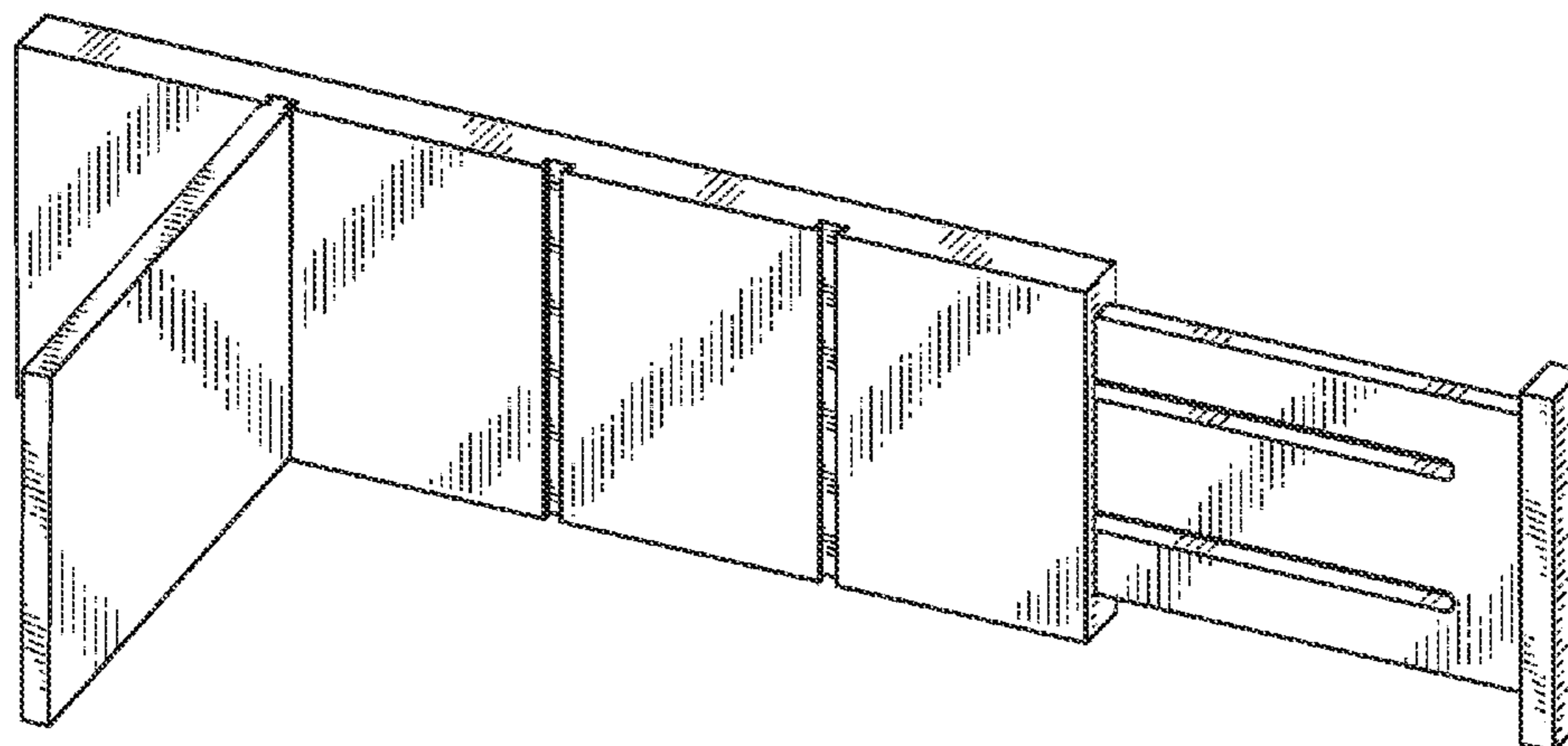
(57) **CLAIM**

The ornamental design for a drawer organizer, as shown and described.

DESCRIPTION

FIG. 1 is a perspective view of embodiment 1;
FIG. 2 is a perspective view in an alternate position thereof;
FIG. 3 is a side view thereof;
FIG. 4 is an opposite side view thereof;
FIG. 5 is a front view thereof;
FIG. 6 is a rear view thereof;
FIG. 7 is a top view thereof;
FIG. 8 is a perspective view of embodiment 2;
FIG. 9 is a perspective view in an alternate position thereof;
FIG. 10 is a side view thereof;
FIG. 11 is an opposite side view thereof;
FIG. 12 is a front view thereof;
FIG. 13 is a rear view thereof; and,
FIG. 14 is a top view thereof.

1 Claim, 10 Drawing Sheets



US D596,431 S

Page 2

U.S. PATENT DOCUMENTS									
D549,994	S	*	9/2007	Tokunaga et al.	D6/492	2004/0004420	A1	1/2004	Pine et al.
7,380,894	B2		6/2008	Berger		2004/0245254	A1	12/2004	Rosenberg et al.
D577,936	S	*	10/2008	Held	D6/510	2005/0067928	A1	3/2005	Berger et al.
D587,700	S	*	3/2009	Corti et al.	D14/307	2008/0169254	A1	7/2008	Govrik
						2008/0258593	A1	10/2008	Berger
									* cited by examiner

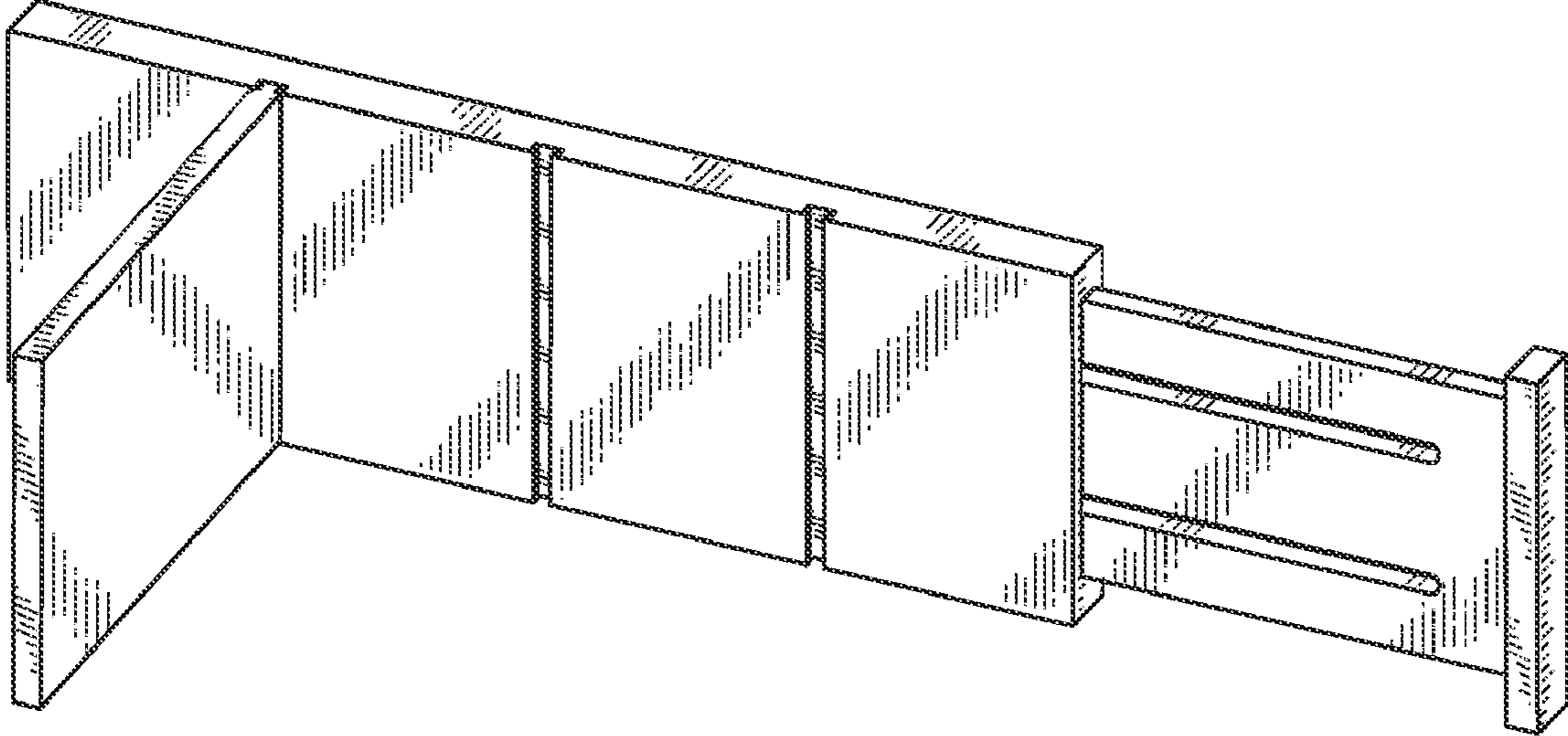


FIG. 1

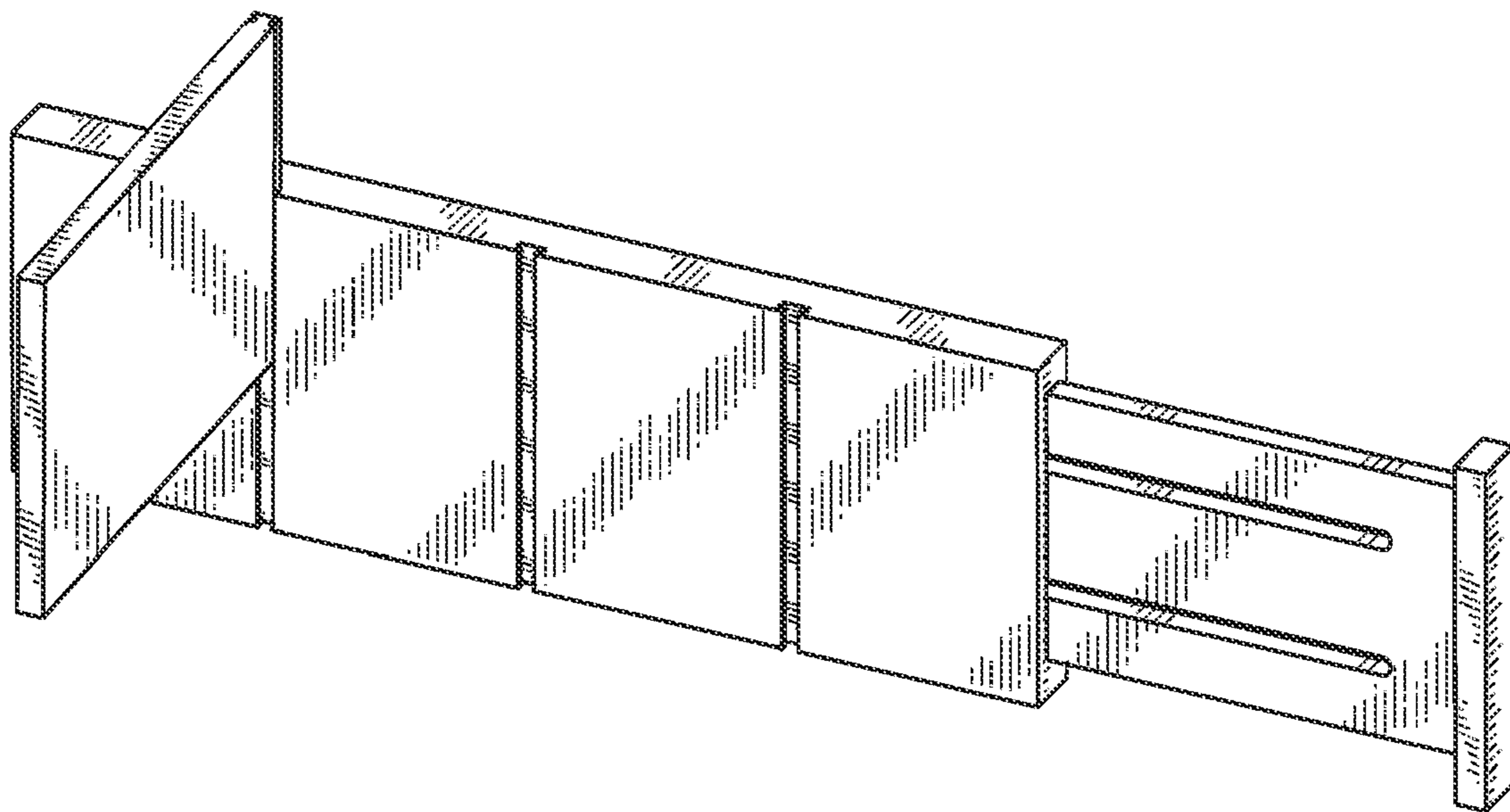


FIG. 2

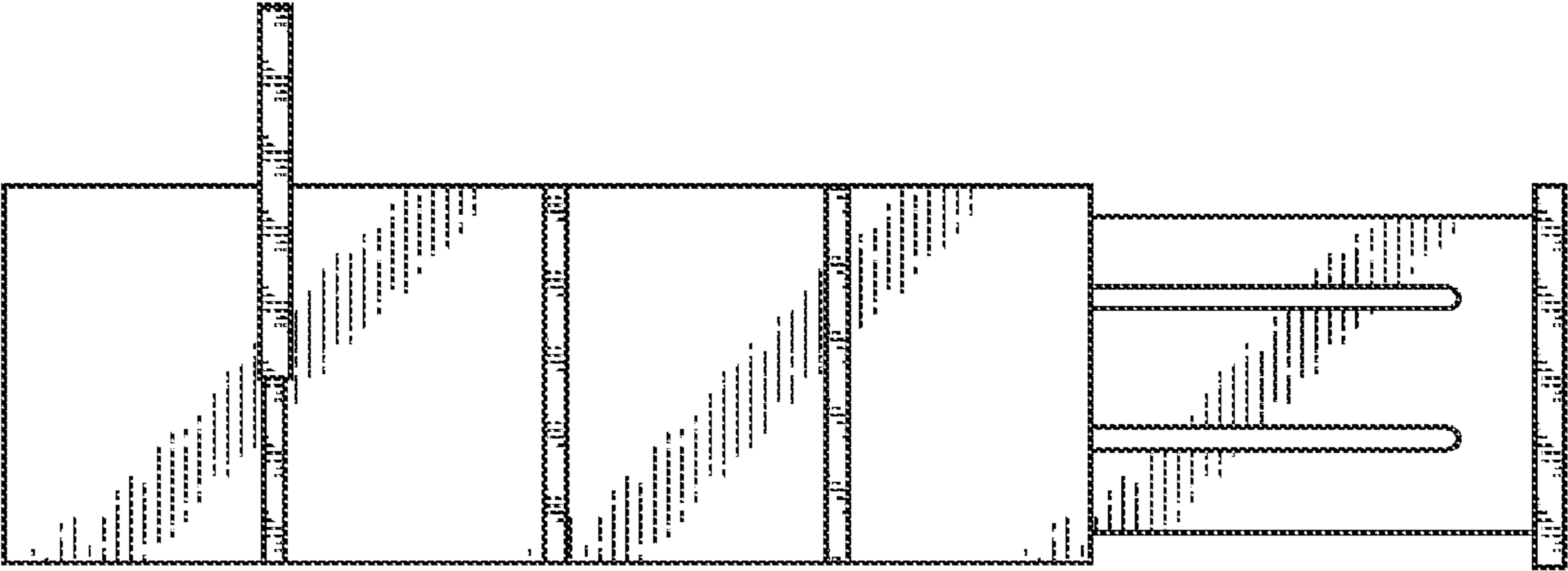


FIG. 3

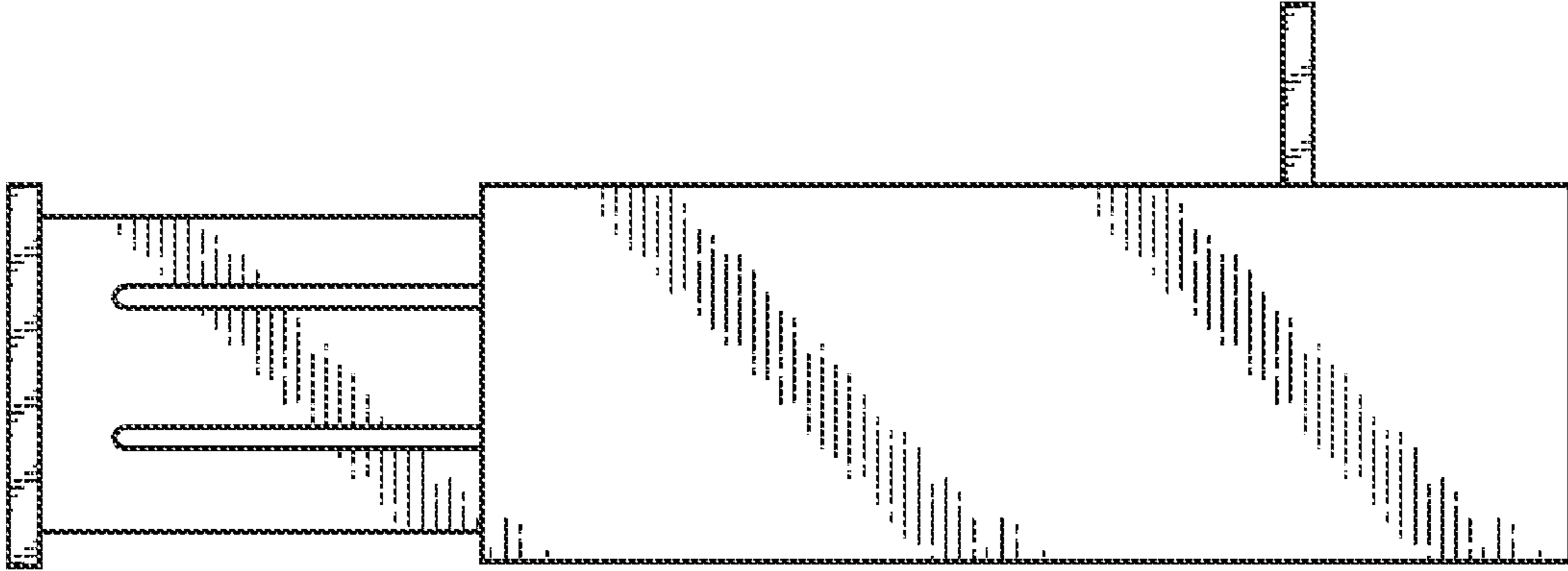


FIG. 4

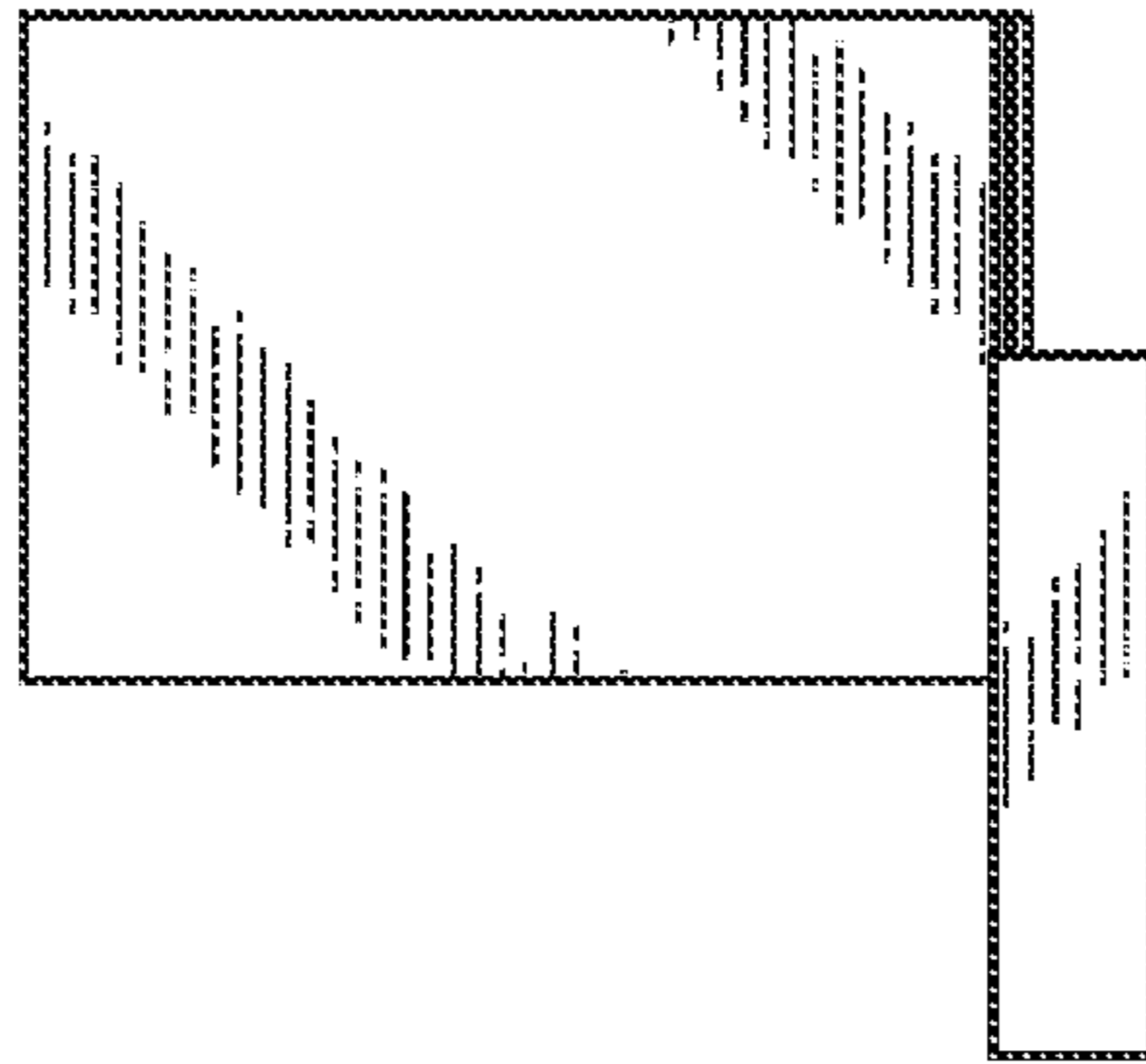


FIG. 5

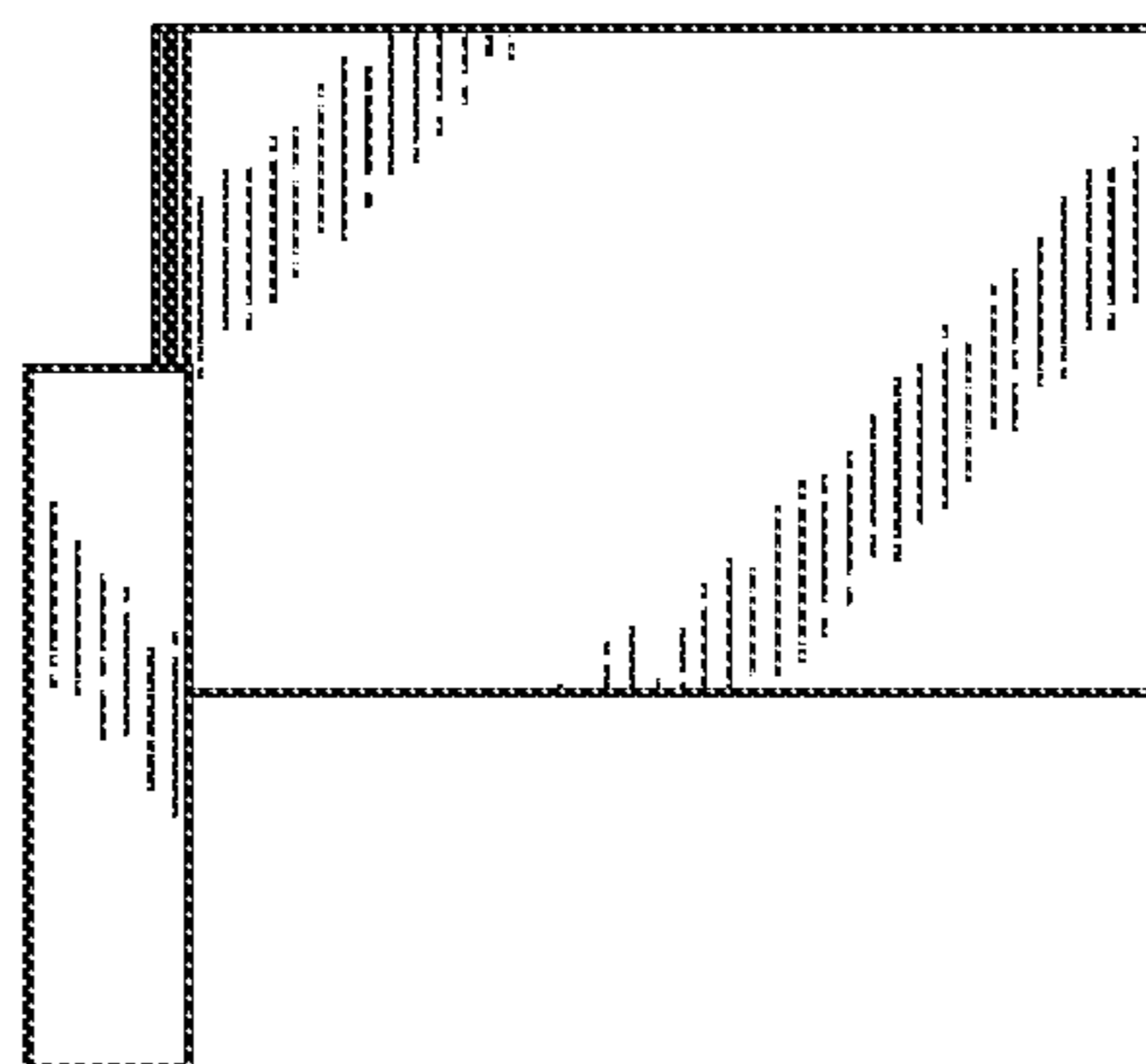


FIG. 6

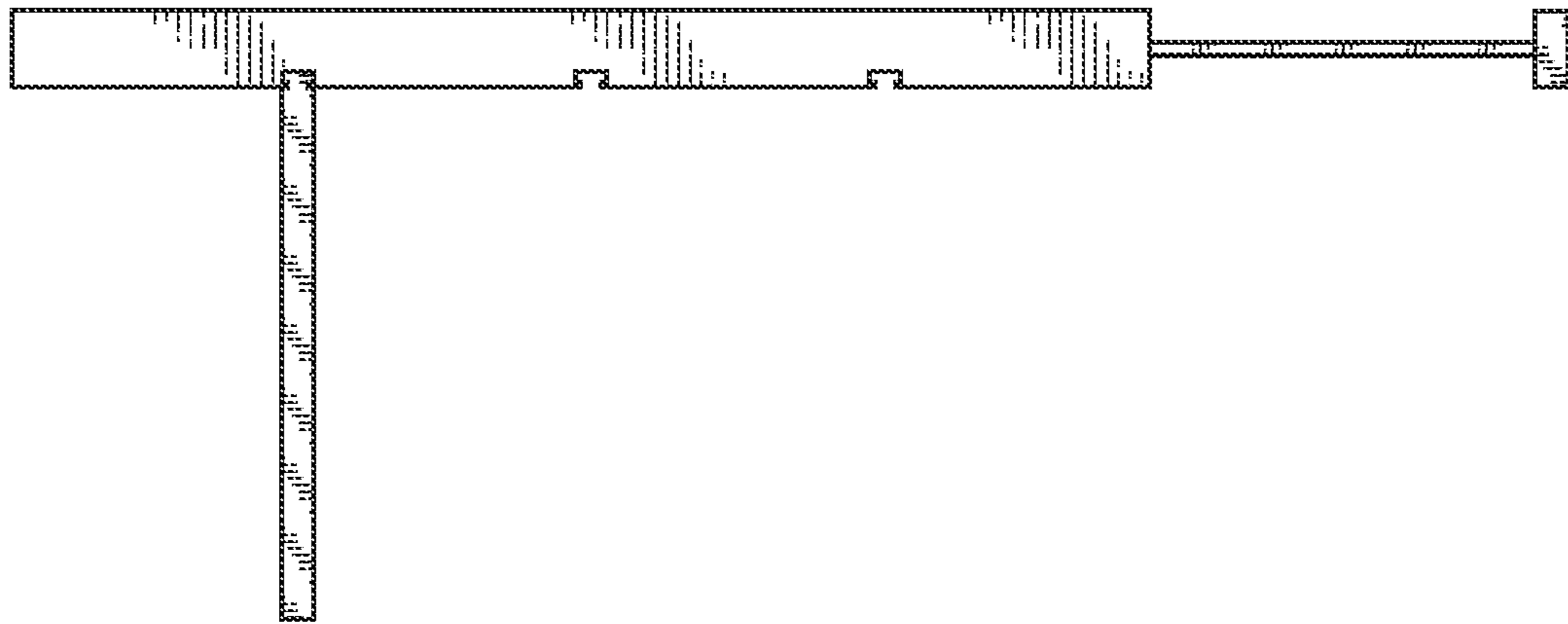


FIG. 7

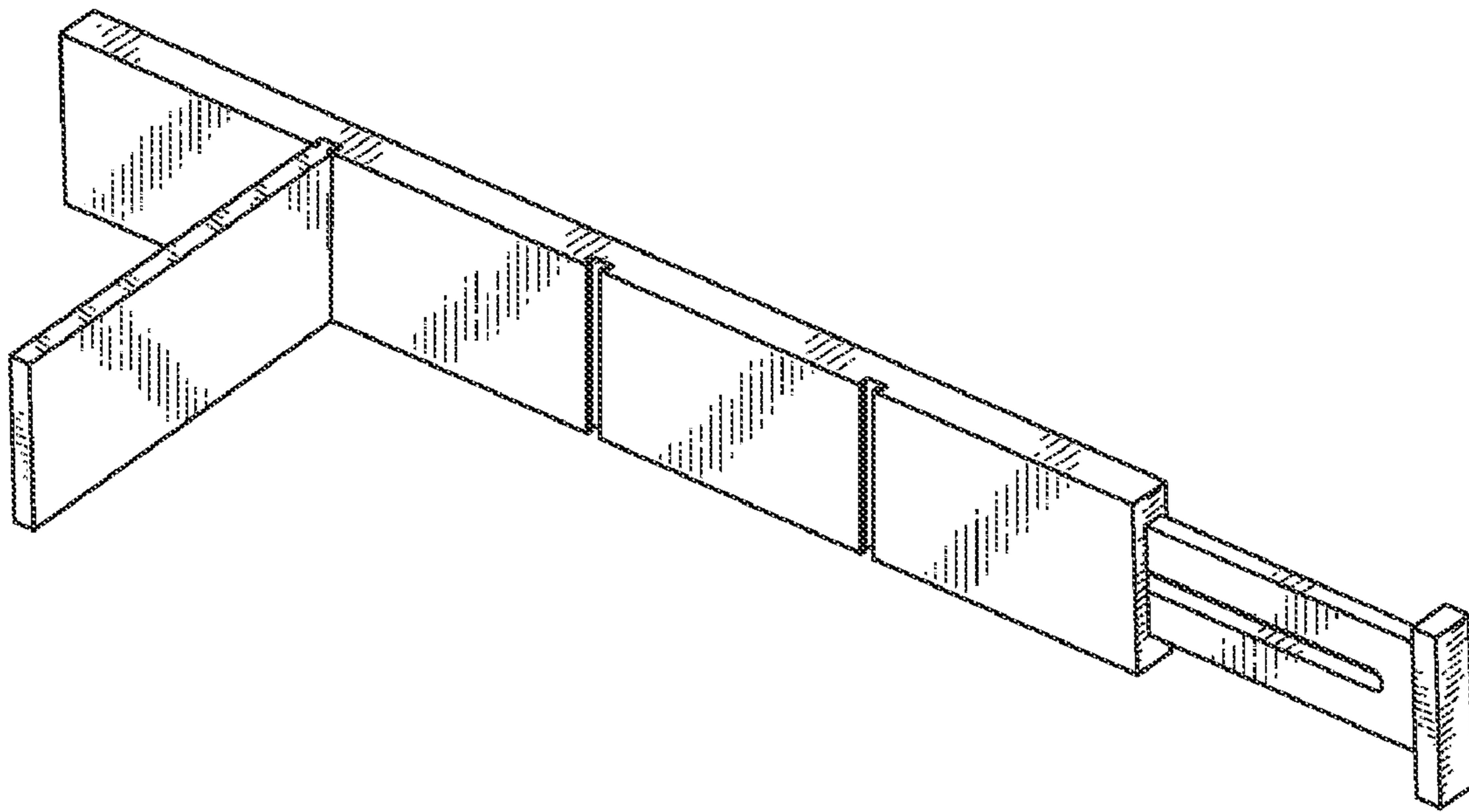


FIG. 8

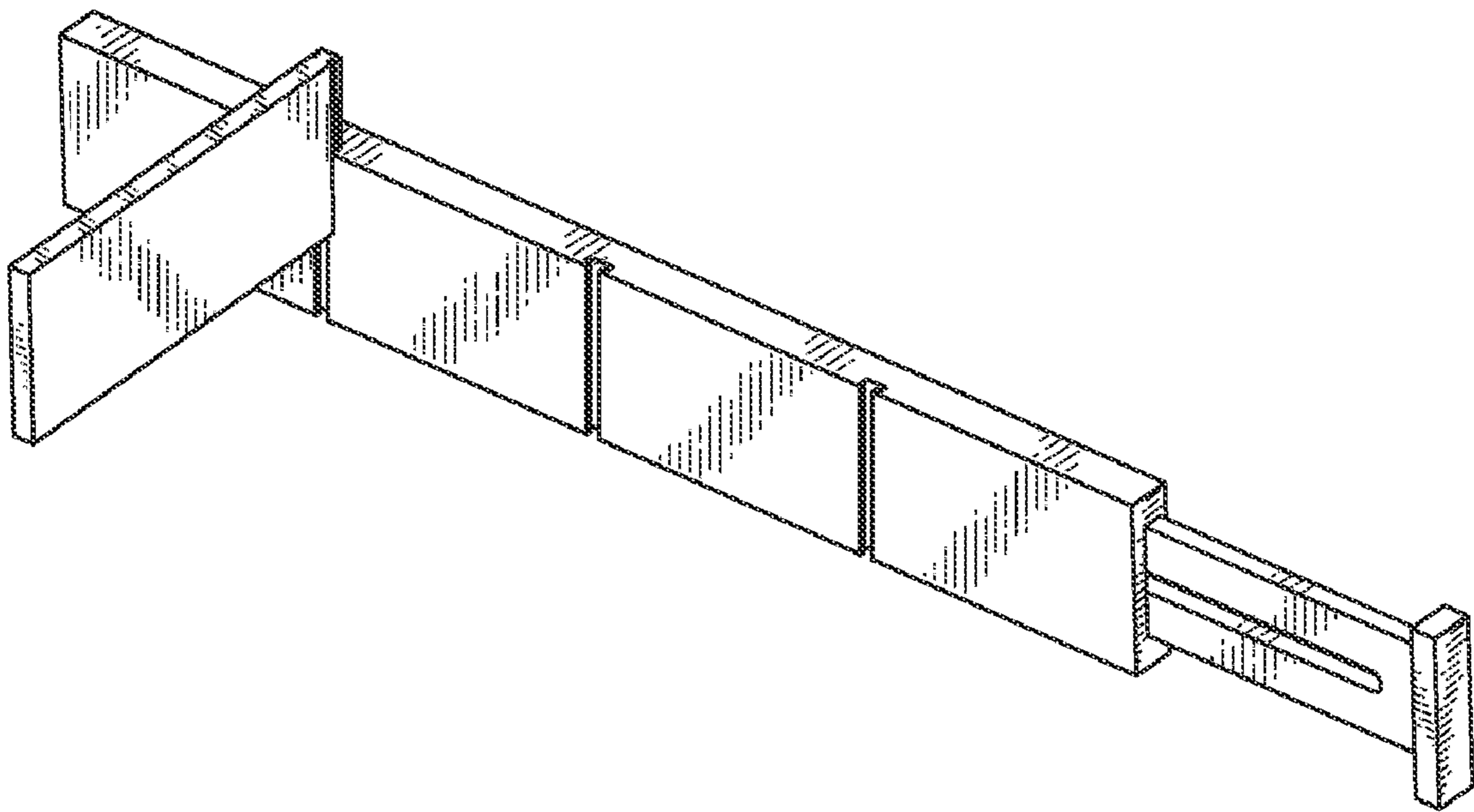


FIG. 9

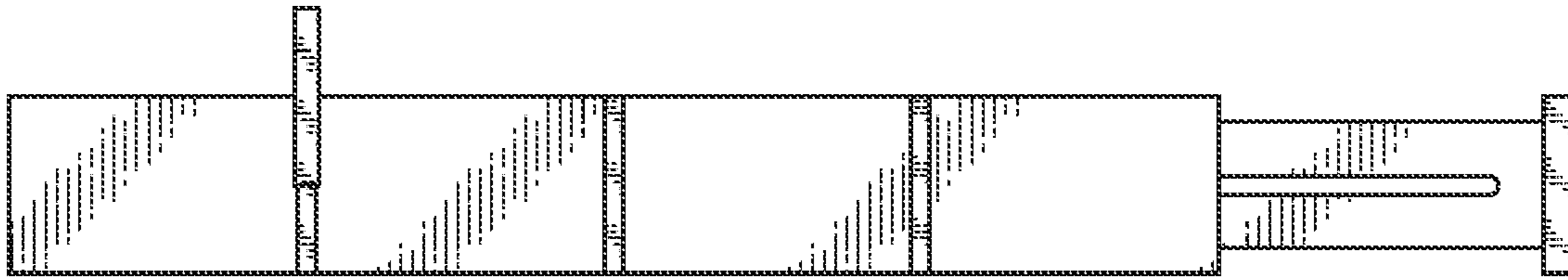


FIG. 10

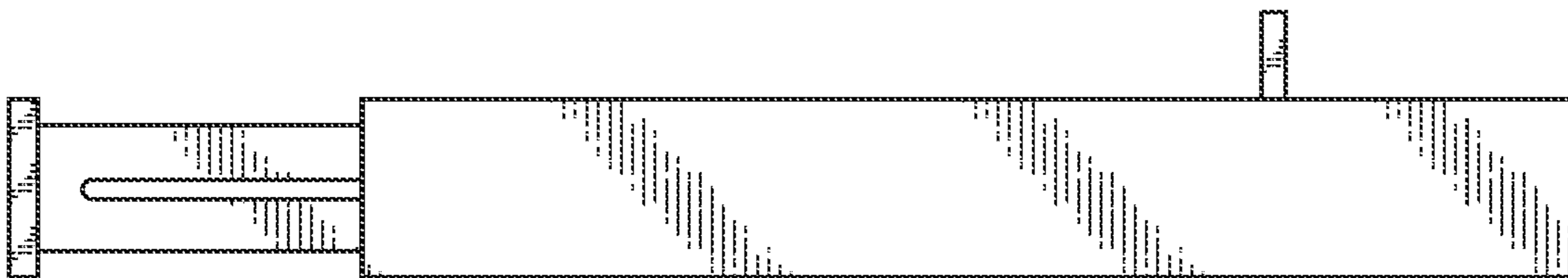


FIG. 11

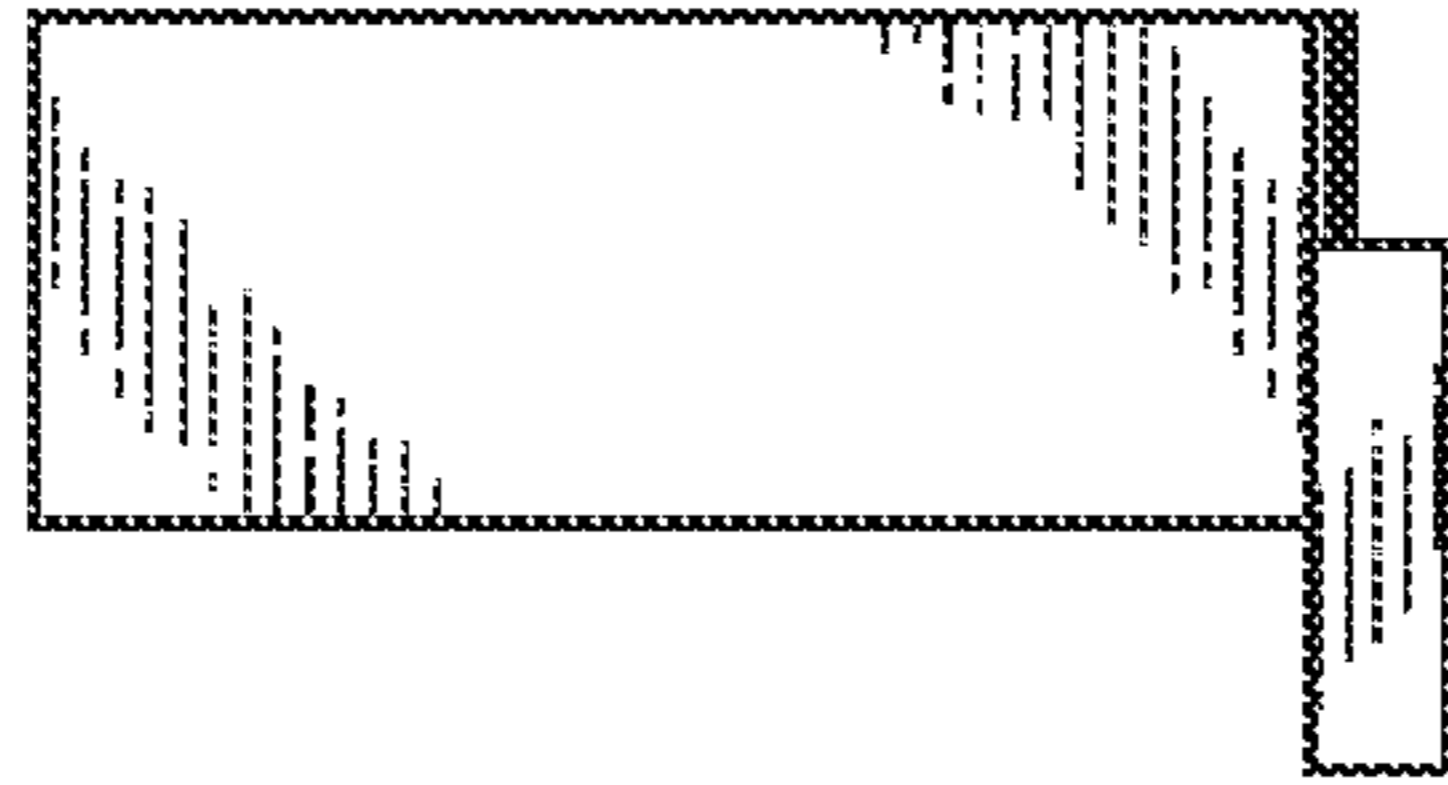


FIG. 12

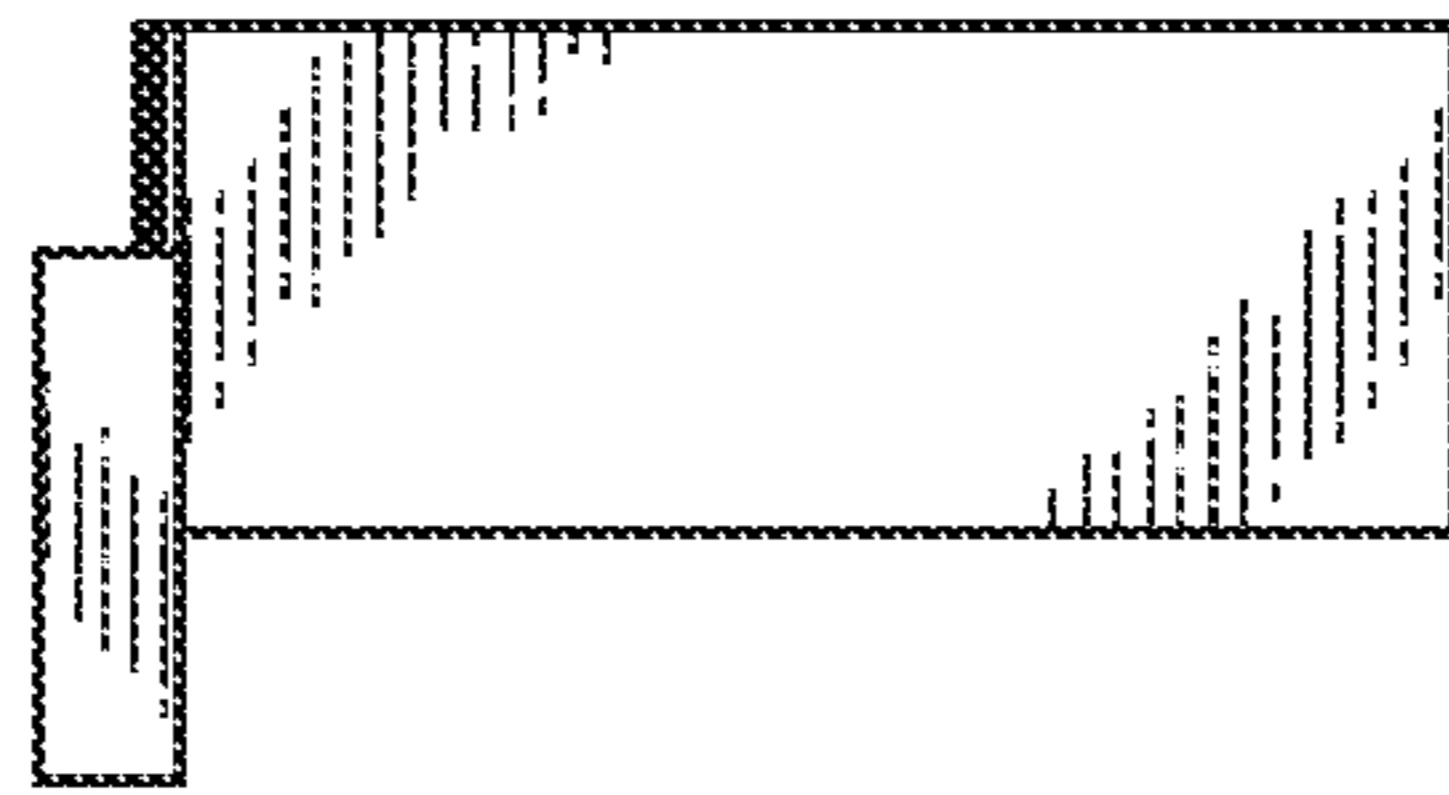


FIG. 13

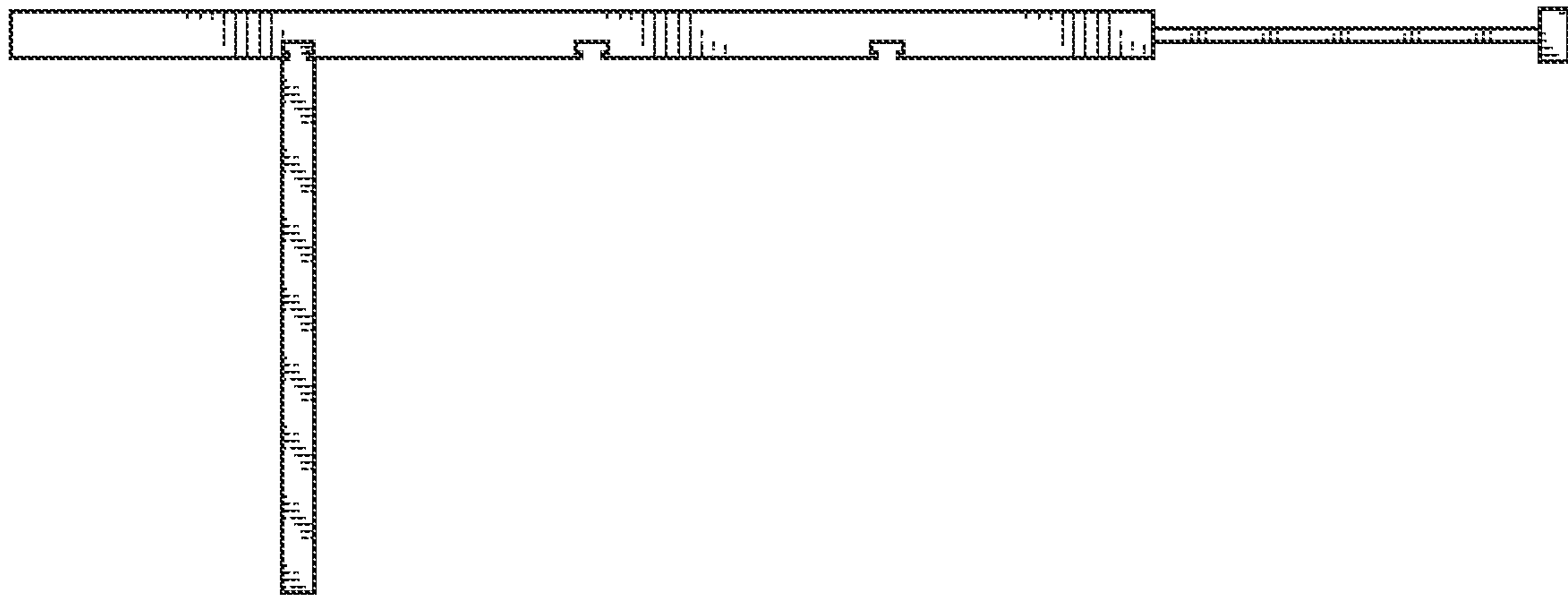


FIG. 14