



US00D596427S

(12) **United States Design Patent**
Lee

(10) **Patent No.:** **US D596,427 S**
(45) **Date of Patent:** **** Jul. 21, 2009**

(54) **FRAME FOR A TABLE UMBRELLA SUPPORT**

(76) Inventor: **Lawrence K. Lee**, 9320 Harwin Dr.,
Houston, TX (US) 77036

(**) Term: **14 Years**

(21) Appl. No.: **29/321,792**

(22) Filed: **Jul. 23, 2008**

(51) **LOC (9) Cl.** **06-06**

(52) **U.S. Cl.** **D6/499**

(58) **Field of Classification Search** D6/495-499,
D6/480-489, 429-431, 511, 477, 416; 108/150,
108/153.1, 156, 157.1, 161, 65, 69, 77, 79,
108/83, 86; 248/188, 188.1, 188.8
See application file for complete search history.

(56) **References Cited**

U.S. PATENT DOCUMENTS

D506,890 S * 7/2005 McDaniel et al. D6/495

* cited by examiner

Primary Examiner—Janice E Seeger
Assistant Examiner—Sydney R Buffalow
(74) *Attorney, Agent, or Firm*—Egbert Law Offices PLLC

(57) **CLAIM**

The ornamental design for the frame for a table umbrella support, as shown and described.

DESCRIPTION

The frame for a table umbrella support is shown mounted on a table in broken lines. The tables in broken lines are presented for illustrative purposes only and form no part of the claimed design.

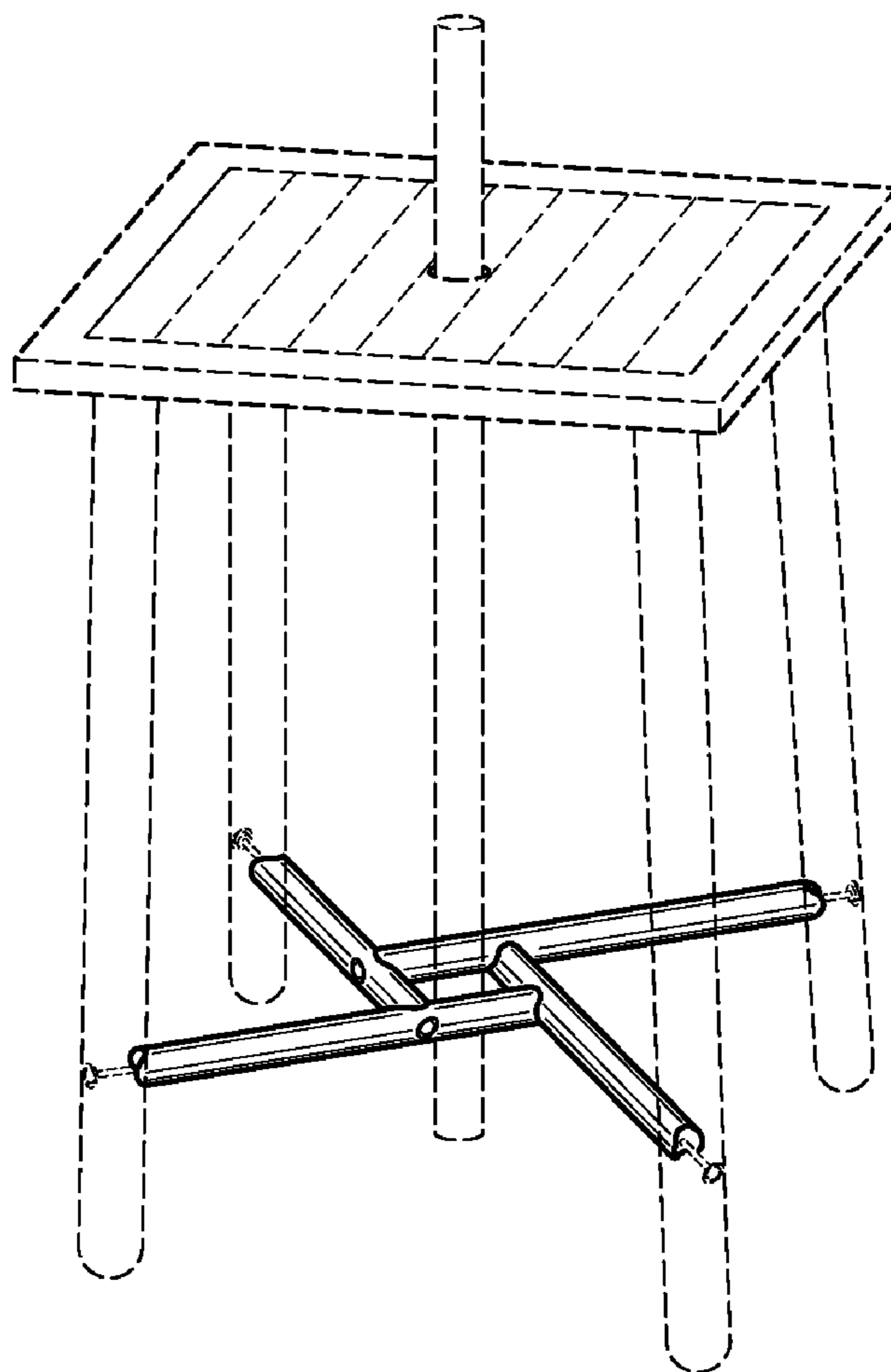
FIG. 1 is an upper perspective view of the frame for a table umbrella support showing my design.

FIG. 2 is a front view thereof, a back, side, and opposite side views being identical;

FIG. 3 is a top plan view thereof, a bottom plan view being identical; and,

FIG. 4 is another upper perspective view, showing the frame mounted on a different shape of table.

1 Claim, 2 Drawing Sheets



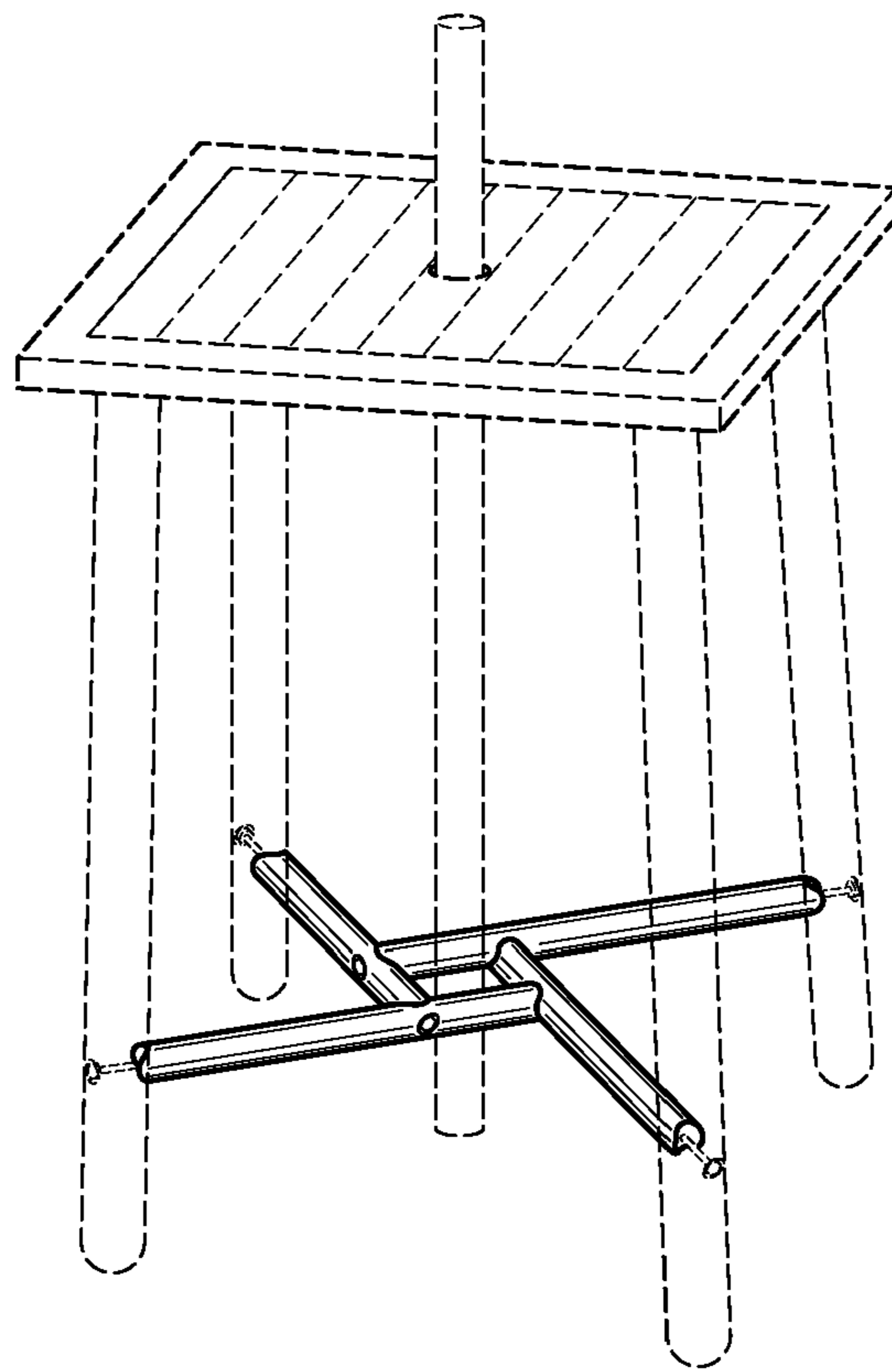


FIG. 1

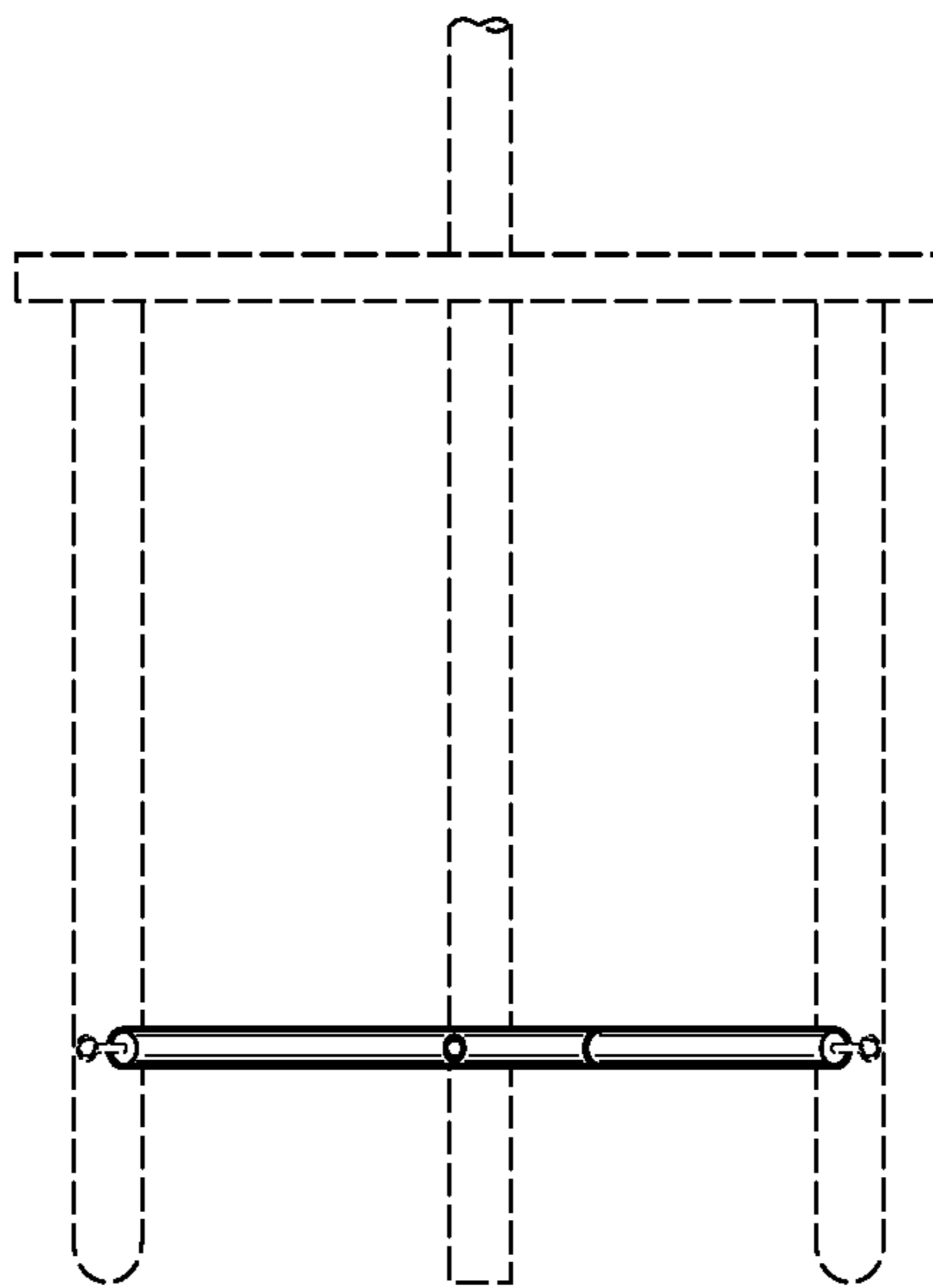


FIG. 2

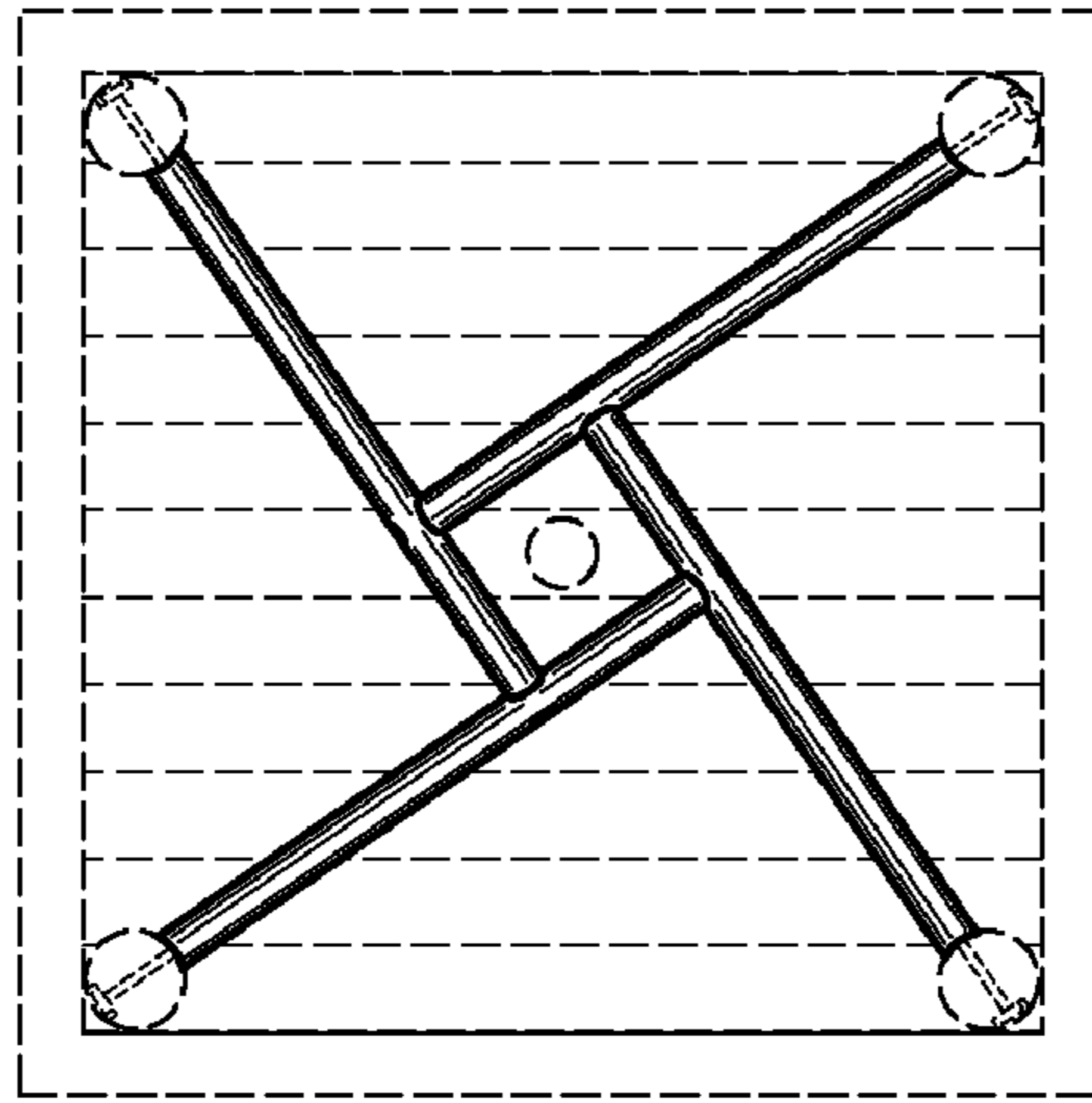


FIG. 3

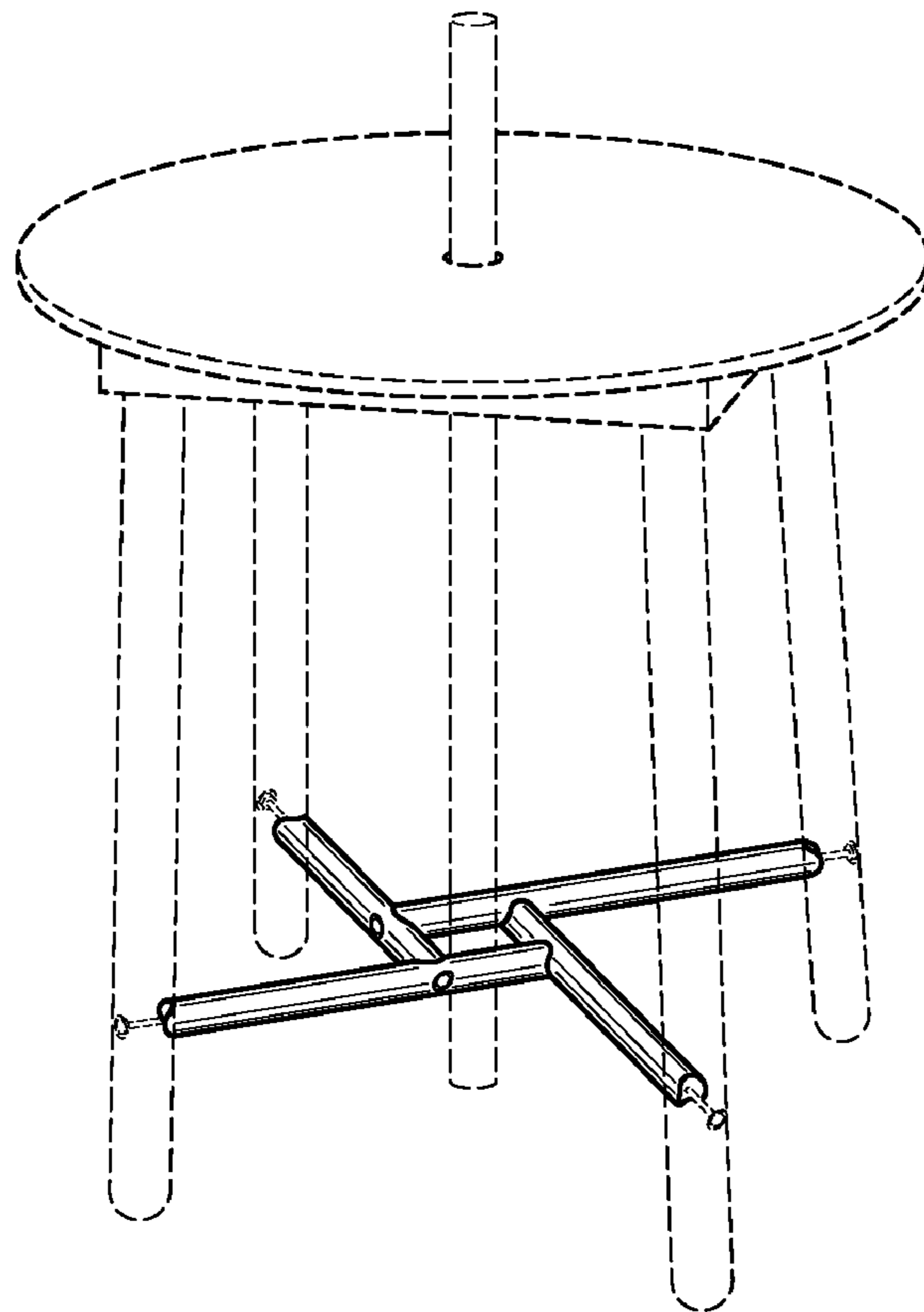


FIG. 4