



US00D596426S

(12) **United States Design Patent**
Pai et al.

(10) **Patent No.:** **US D596,426 S**
(45) **Date of Patent:** **** Jul. 21, 2009**

(54) **WORKSTATION**

(75) Inventors: **Jillian Pai**, Chicago, IL (US); **Sean Scott**, Chicago, IL (US); **Dawn M. Boileau**, Liberty, MO (US)

(73) Assignee: **Surface Technologies, Inc.**, Kansas City, MO (US)

(**) Term: **14 Years**

(21) Appl. No.: **29/319,592**

(22) Filed: **Jun. 11, 2008**

(51) **LOC (9) Cl.** **06-06**

(52) **U.S. Cl.** **D6/495; D6/480**

(58) **Field of Classification Search** D6/480-489,
D6/495-499, 429-430, 477, 479, 349, 436;
108/153.1, 155, 156, 161, 50.01, 50.02; 248/188,
248/188.1, 188.8

See application file for complete search history.

(56) **References Cited**

U.S. PATENT DOCUMENTS

D316,723	S	*	5/1991	Ng et al.	D6/426
D330,302	S	*	10/1992	Heidmann	D6/495
D352,845	S	*	11/1994	Hellwig et al.	D6/422
5,971,508	A	*	10/1999	Deimen et al.	312/223.6
D443,440	S	*	6/2001	Deimen et al.	D6/480
6,672,225	B2	*	1/2004	Pomodoro	108/8
2001/0013305	A1	*	8/2001	Funk et al.	108/50.02

* cited by examiner

Primary Examiner—Janice E Seeger

(74) *Attorney, Agent, or Firm*—Hovey Williams LLP

(57) **CLAIM**

The ornamental design for a workstation, as shown and described.

DESCRIPTION

This application is being filed contemporaneously with application for U.S. Letters Patent Ser. No. 12/137,292, entitled

Workstation Modesty Panel with Laptop Storage and Docking, which is hereby incorporated in its entirety by reference herein

FIG. 1 is a front perspective view of a workstation embodying our design, with the desktop, the lock mechanism for selectively locking the swingable panel door of the modesty panel in a covering position, the punch-out in the sidewall of the modesty panel chassis, the feet of the gliders at the bottom of the table legs, the generally trapezoidal shaped recesses at opposite ends of the table legs, and the corrugations, handle and panel section lines in the panel door being shown in broken lines for illustrative purposes only and forming no part of the claimed design;

FIG. 2 is a rear perspective view of the workstation shown in FIG. 1, with the wire-access openings in the rear panel of the chassis, the internal details of the modesty panel visible through the wire-access openings, the hinge for swingably supporting the panel door on the chassis, the connection plate at the top of each table leg, and the fasteners interconnecting the pedestal and post of each leg being shown in broken lines for illustrative purposes only and forming no part of the claimed design;

FIG. 3 is a front elevational view of the workstation shown in FIGS. 1 and 2;

FIG. 4 is a side elevational view of the workstation shown in FIGS. 1-3, with the opposite side elevational view being a mirror image thereof;

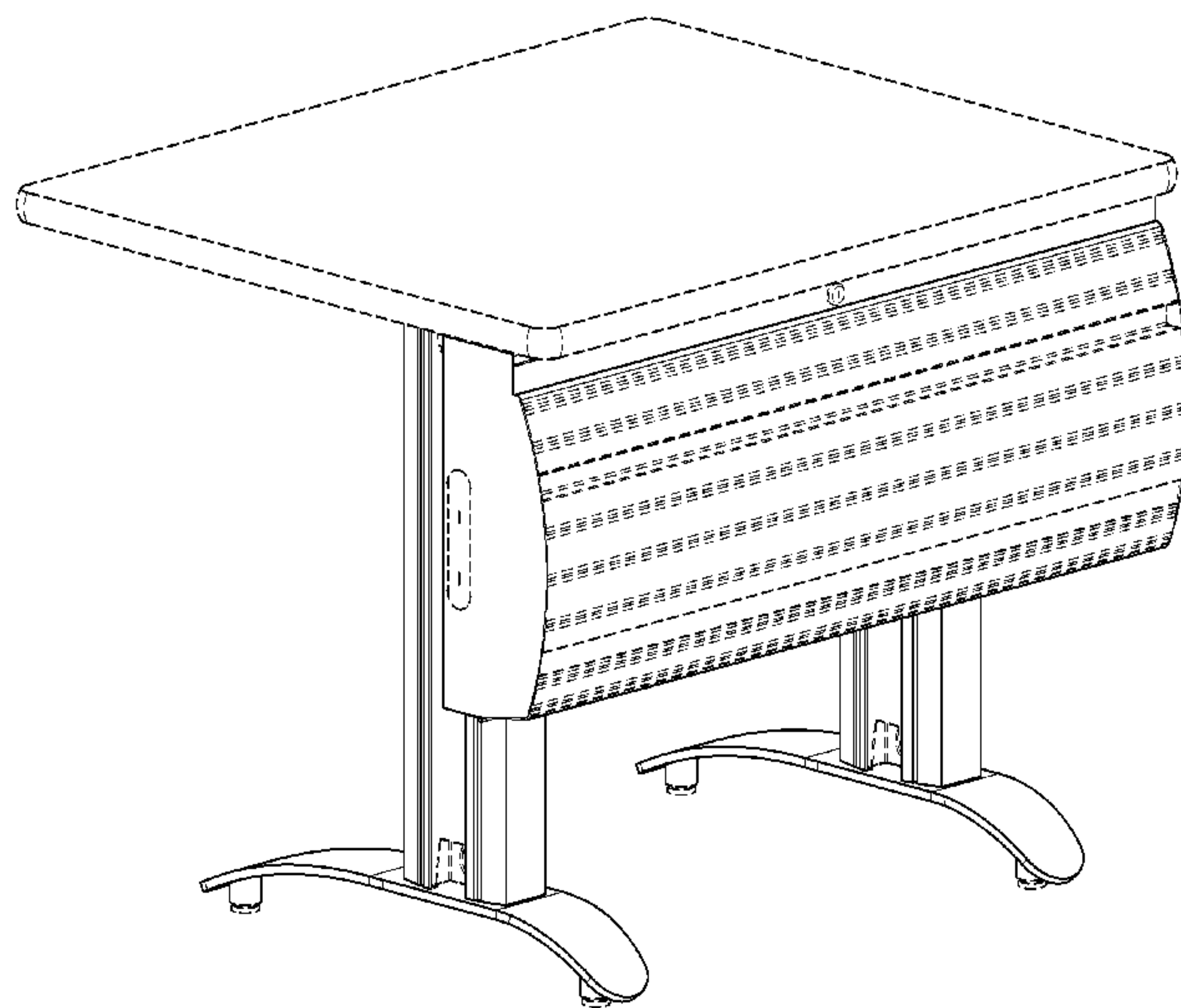
FIG. 5 is a rear elevational view of the workstation shown in FIGS. 1-4;

FIG. 6 is a top view of the workstation shown in FIGS. 1-5;

FIG. 7 is a bottom view of the workstation shown in FIGS. 1-6; and,

FIG. 8 is a front perspective view of the workstation shown in FIGS. 1-7, showing the modesty panel extended with a pair of panel doors.

1 Claim, 8 Drawing Sheets



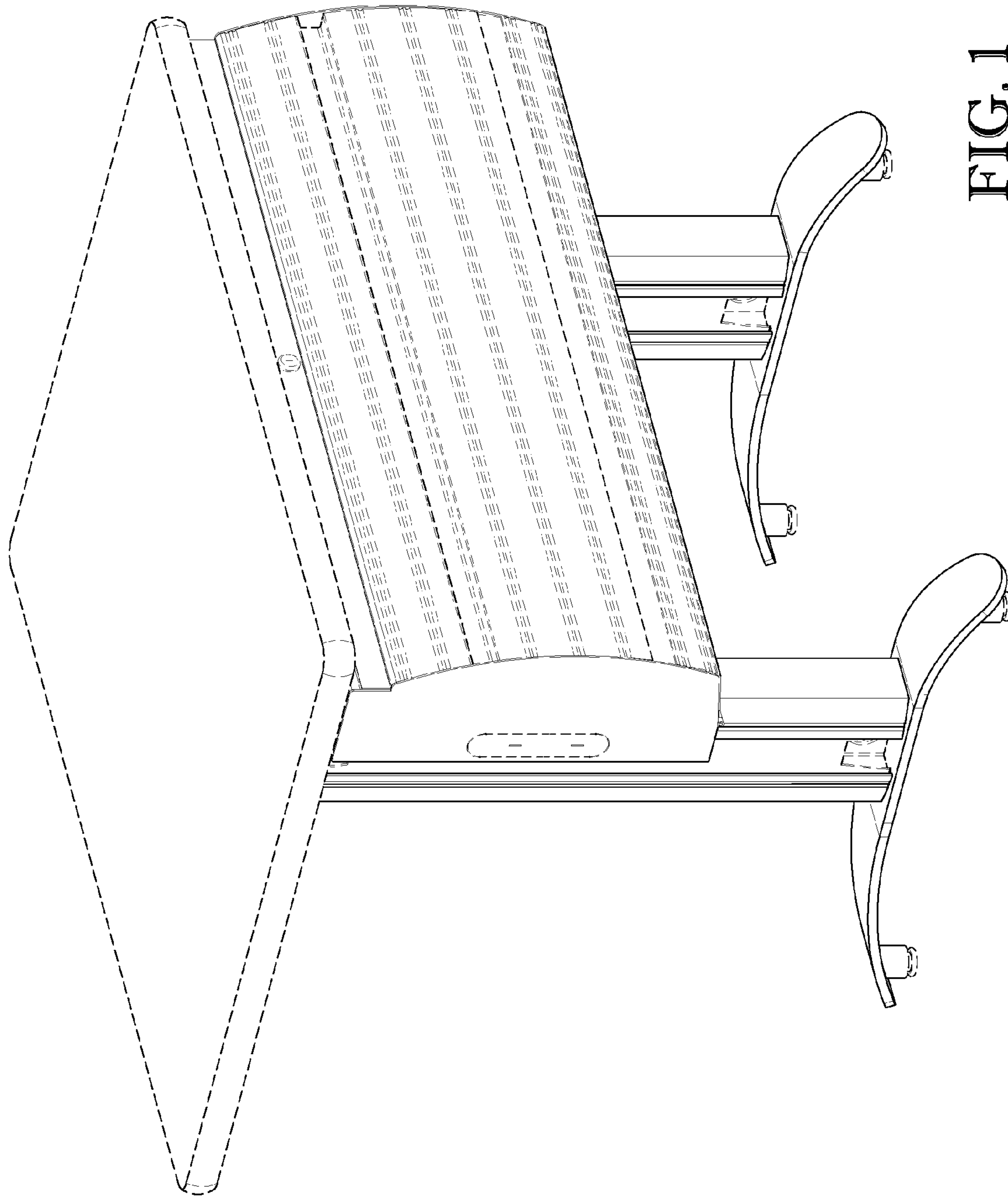


FIG. 1

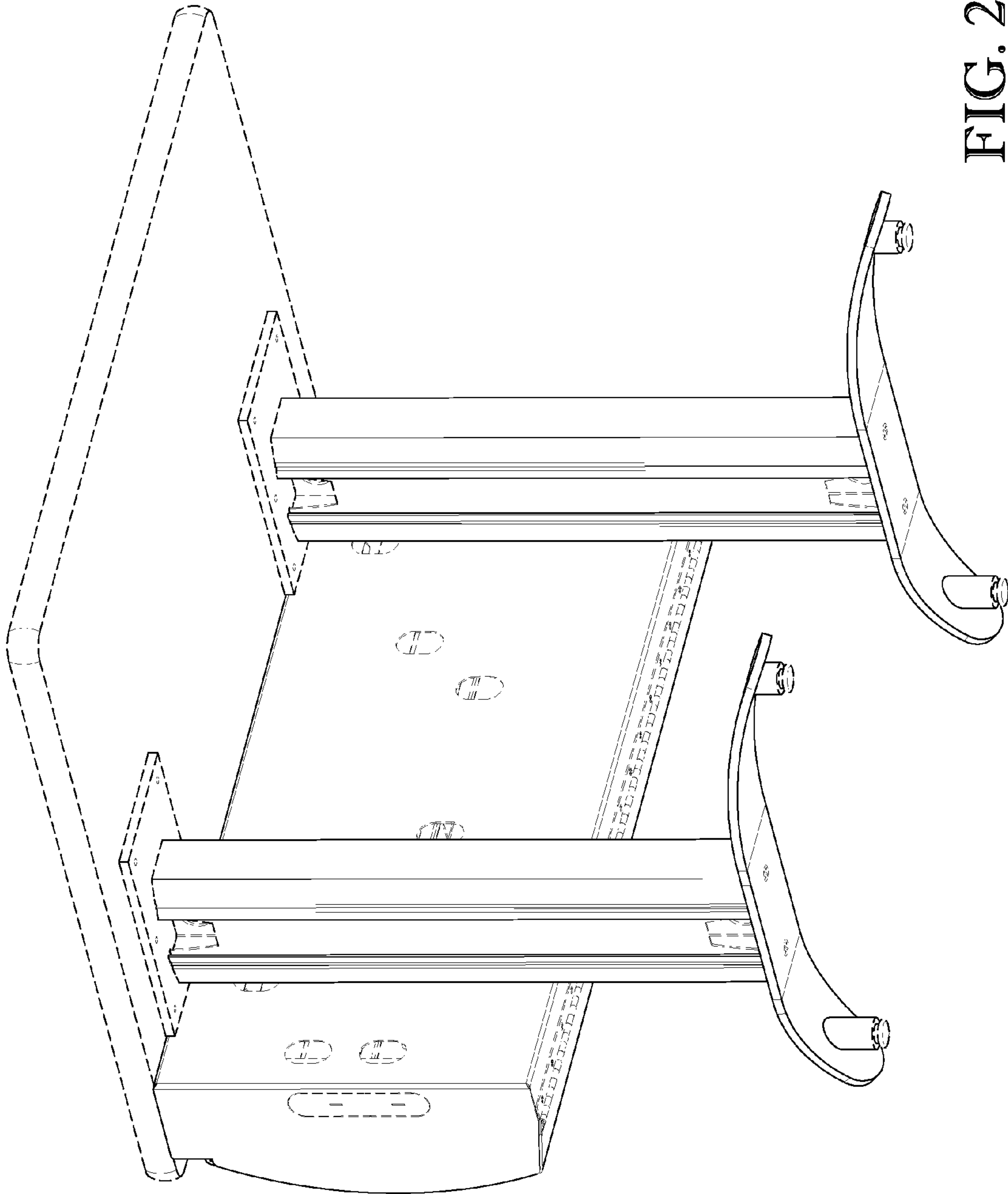


FIG. 2

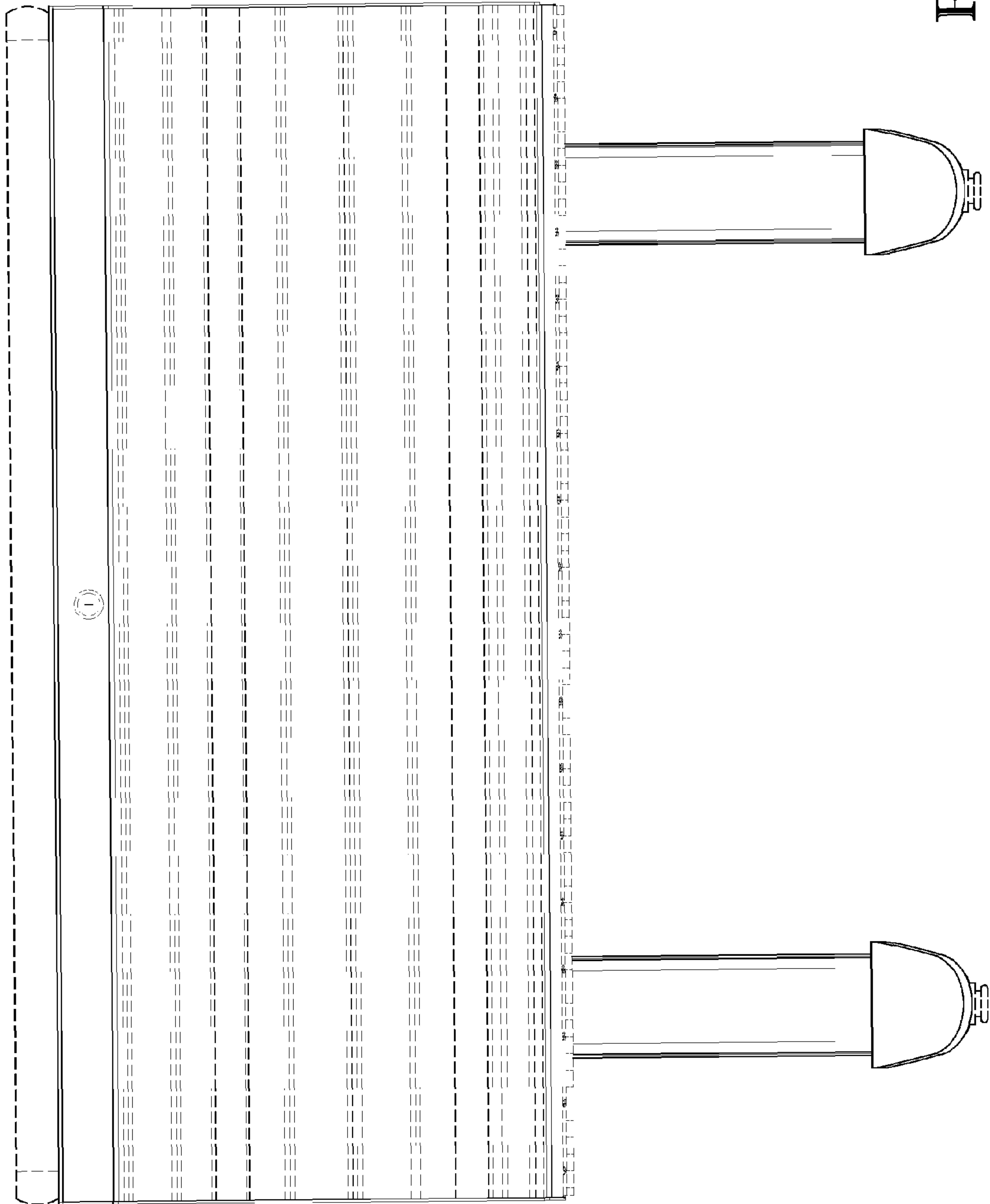


FIG. 3

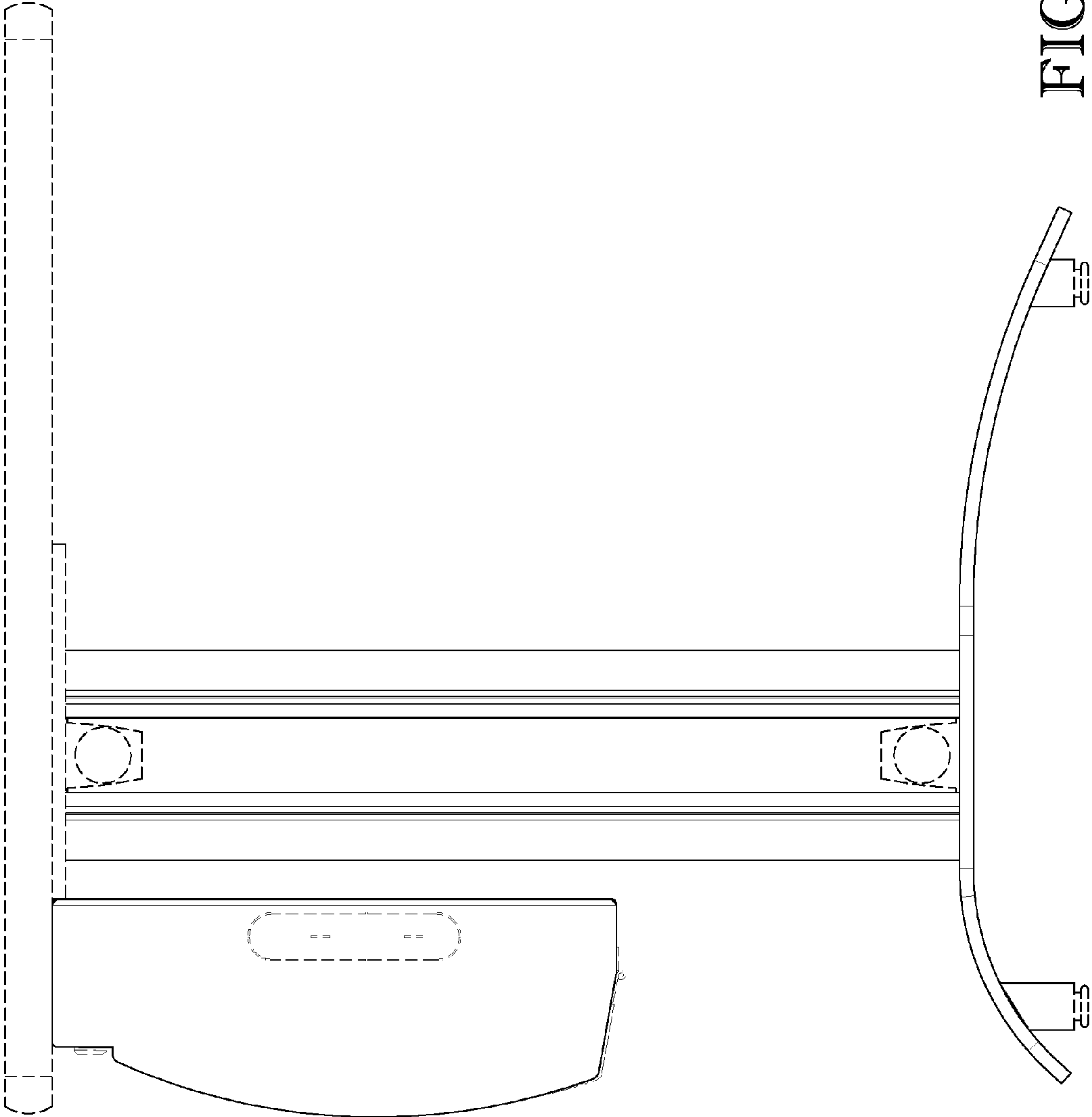


FIG. 4

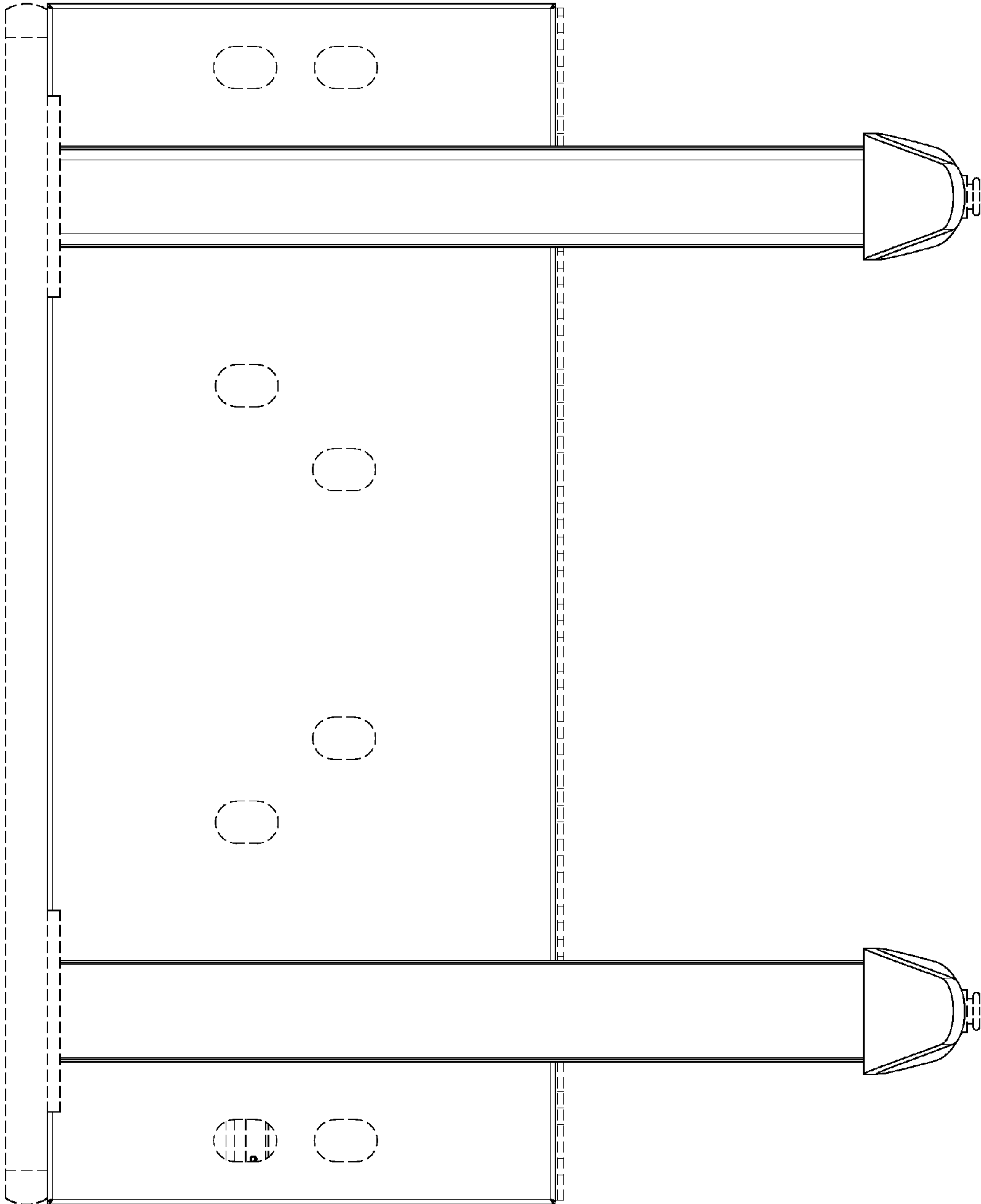


FIG. 5

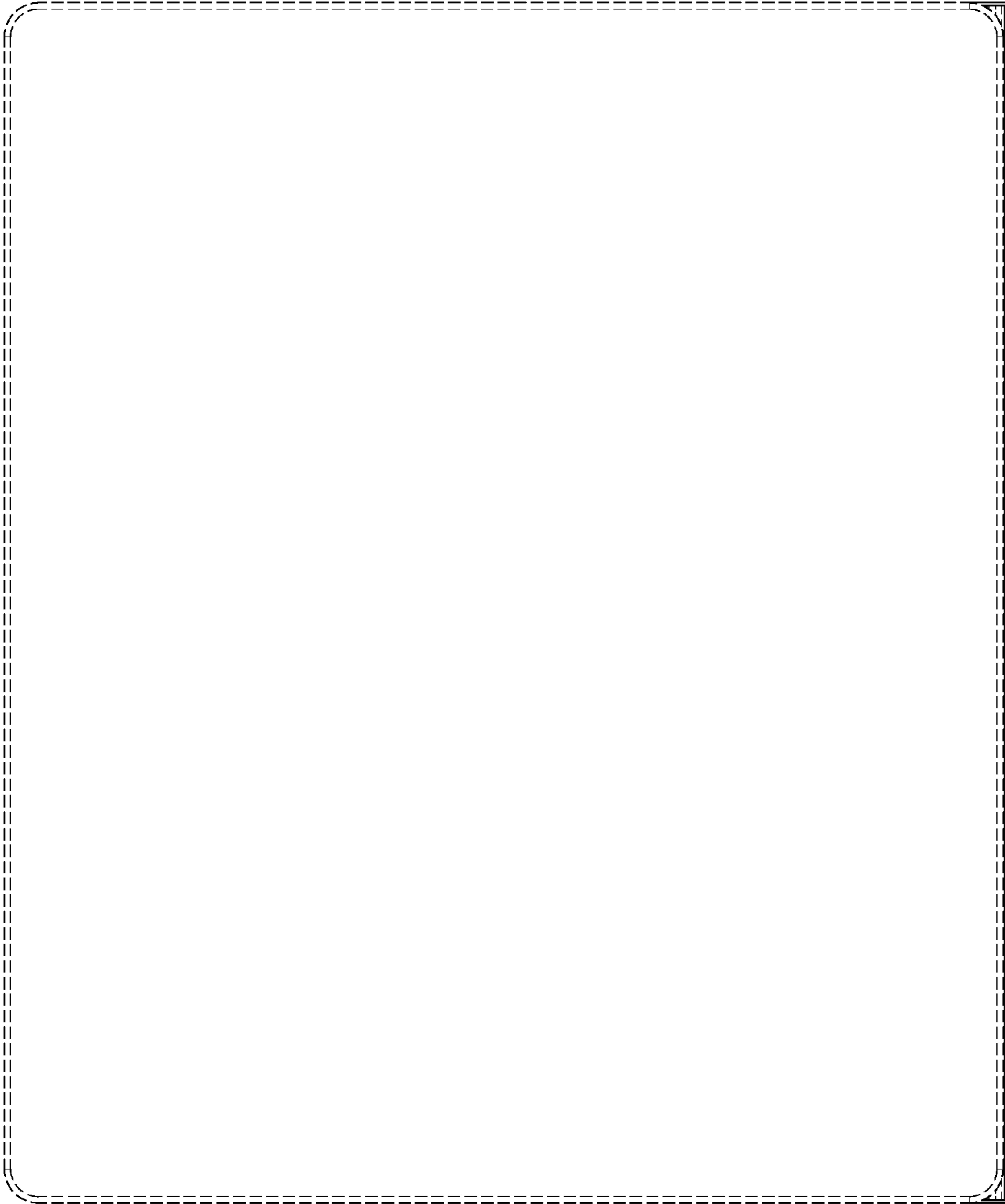


FIG. 6

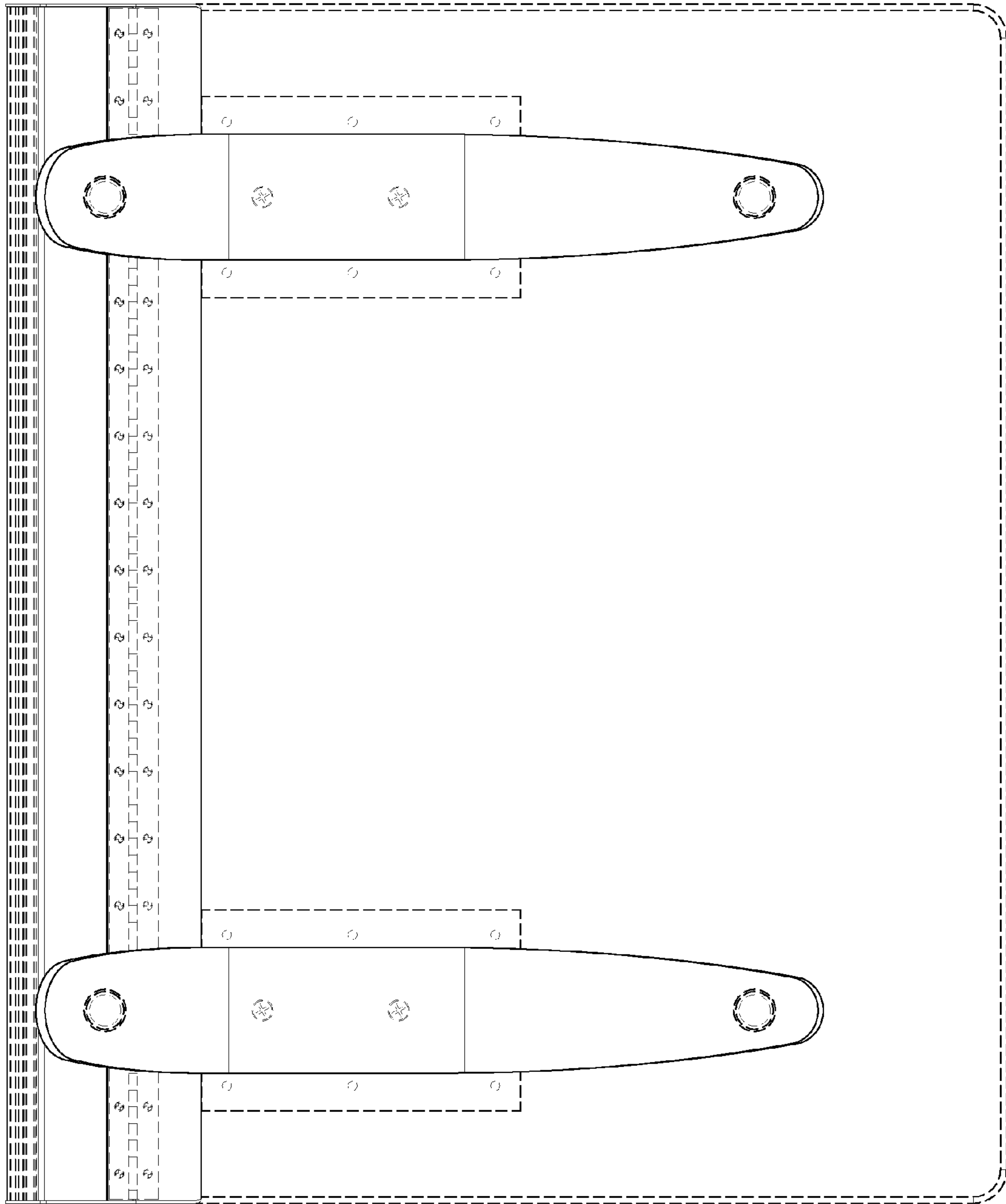


FIG. 7

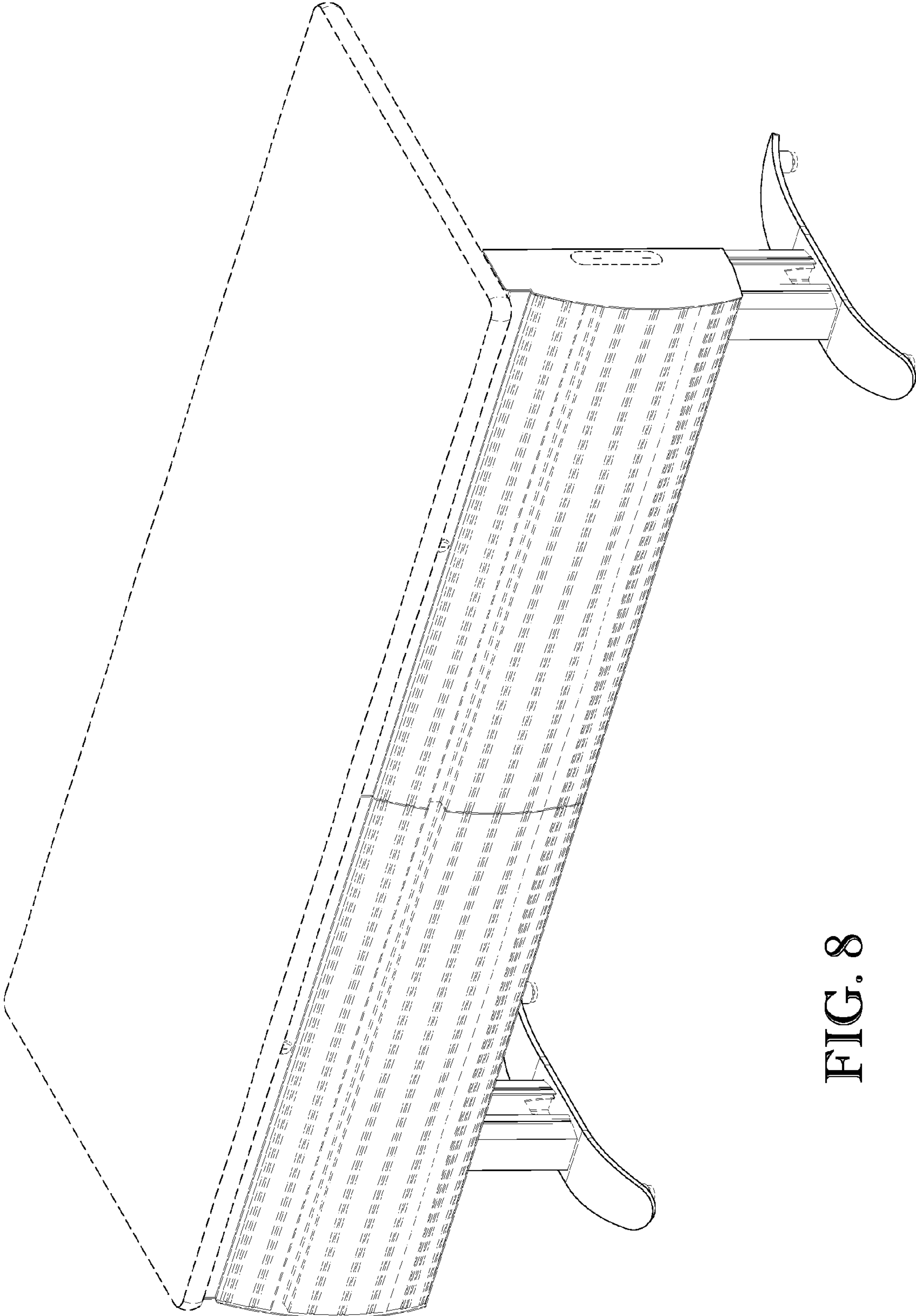


FIG. 8