



US00D596422S

(12) **United States Design Patent**
Hoshino

(10) **Patent No.:** **US D596,422 S**
(45) **Date of Patent:** **** Jul. 21, 2009**

(54) **STORAGE FURNITURE**

(75) Inventor: **Tadao Hoshino**, Tokyo (JP)

(73) Assignee: **Cinna** (FR)

(**) Term: **14 Years**

(21) Appl. No.: **29/321,275**

(22) Filed: **Jul. 14, 2008**

(30) **Foreign Application Priority Data**

Jan. 14, 2008 (FR) 000857453-0001

(51) **LOC (9) Cl.** **06-04**

(52) **U.S. Cl.** **D6/446**

(58) **Field of Classification Search** D6/432-448,
D6/455, 460, 468; 312/107, 108, 111, 138.1,
312/204, 257.1, 330.1; D3/297; 206/503
See application file for complete search history.

(56) **References Cited**

U.S. PATENT DOCUMENTS

D147,482 S * 9/1947 Winterfeld D6/441
D208,411 S * 8/1967 Dobson D6/446
3,642,337 A * 2/1972 Manheim 312/111

5,230,551 A * 7/1993 Kramer 312/204
D361,430 S * 8/1995 Mohundro D3/297
2004/0173493 A1* 9/2004 Pope et al. 206/503

* cited by examiner

Primary Examiner—Mimosa De

(74) *Attorney, Agent, or Firm*—Cantor Colburn LLP

(57) **CLAIM**

I claim, the ornamental design for a storage furniture, as shown and described.

DESCRIPTION

FIG. 1 is a front perspective view of a storage furniture showing my new design;

FIG. 2 is a rear perspective view thereof;

FIG. 3 is a front view thereof;

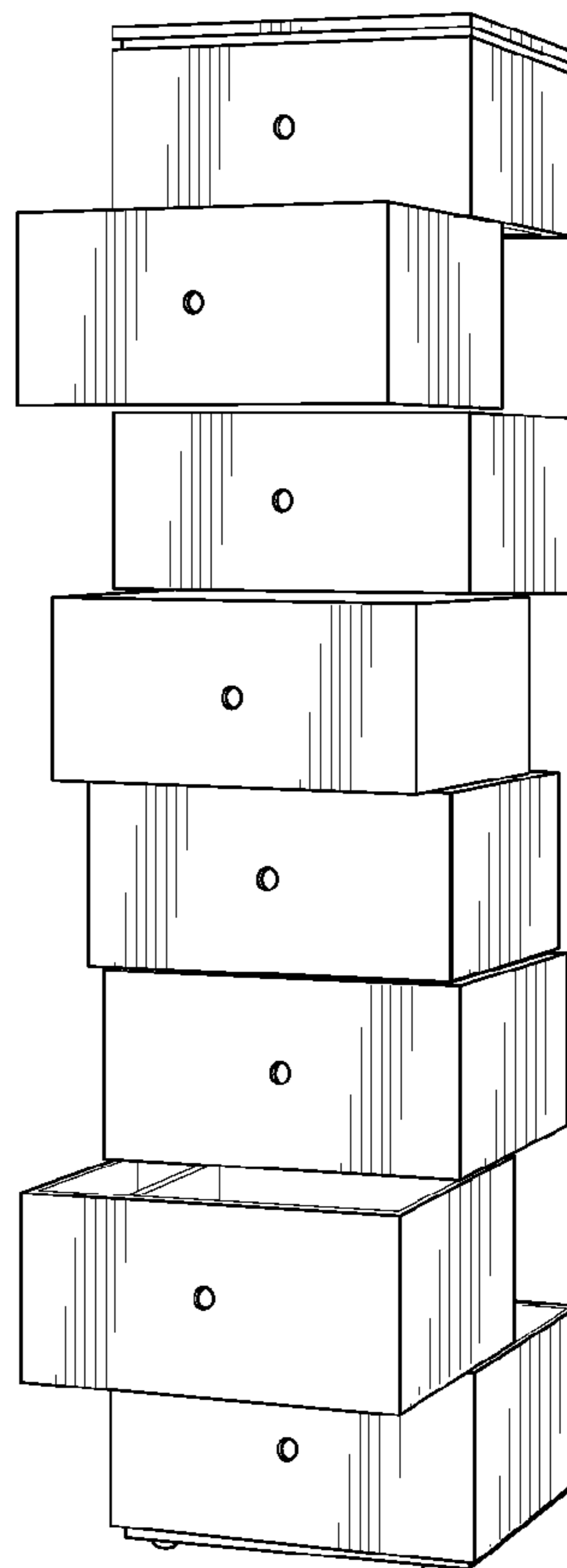
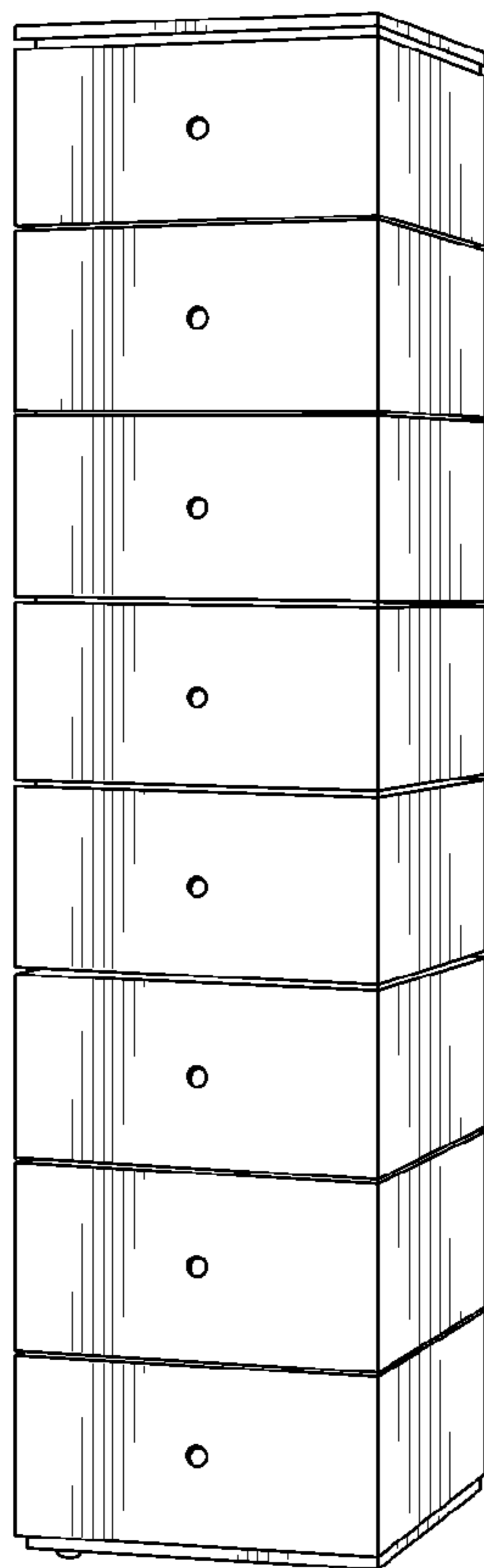
FIG. 4 is a side view thereof in an alternate position;

FIG. 5 is a front perspective view thereof in another alternate position;

FIG. 6 is a rear perspective view thereof in a further alternate position; and,

FIG. 7 is a top view thereof.

1 Claim, 7 Drawing Sheets



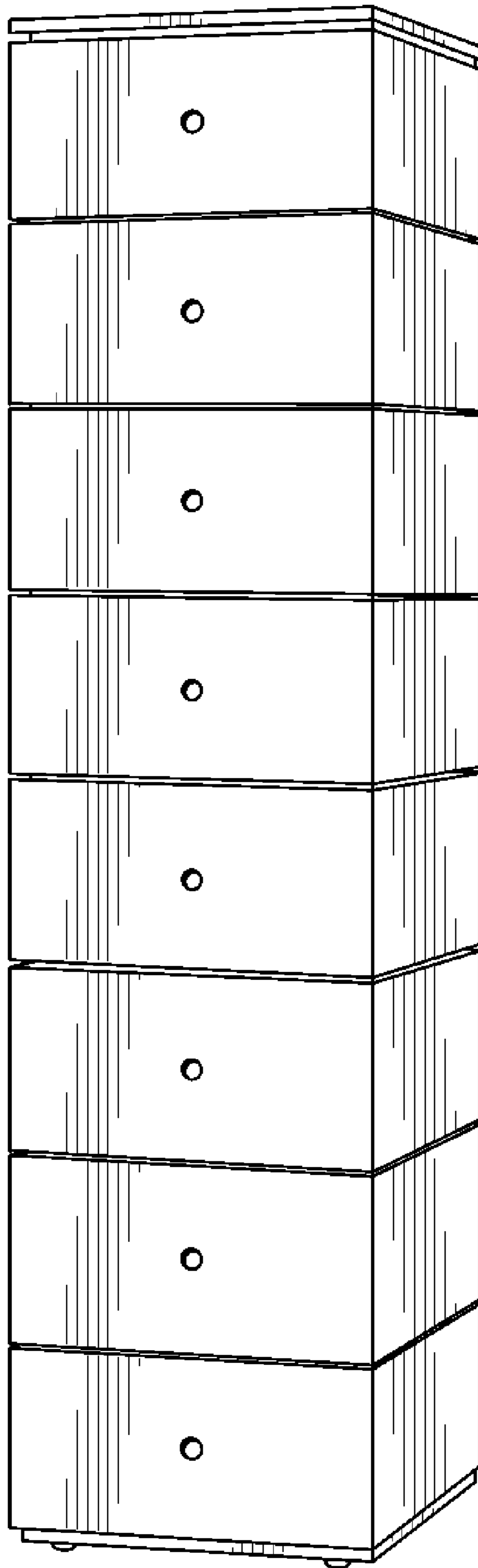


FIG. 1

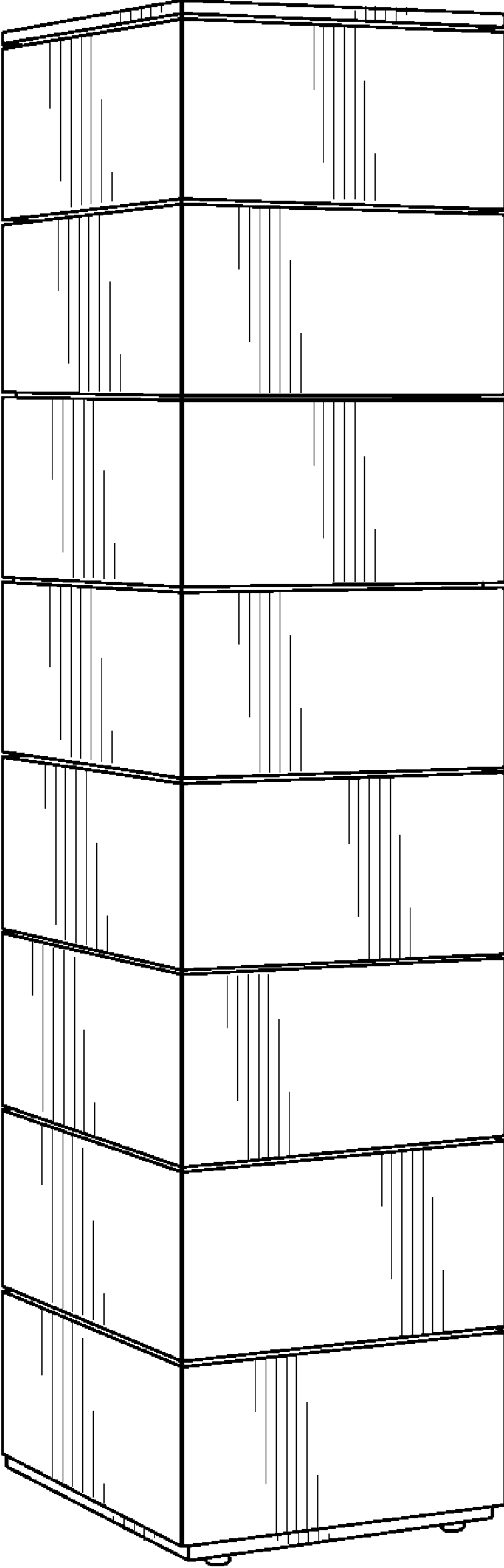


FIG. 2

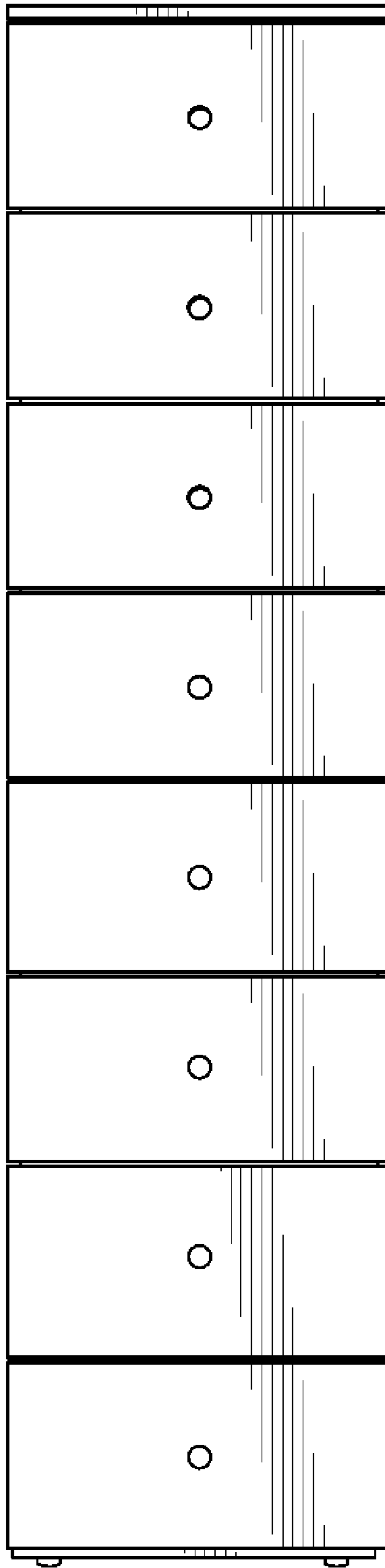


FIG. 3

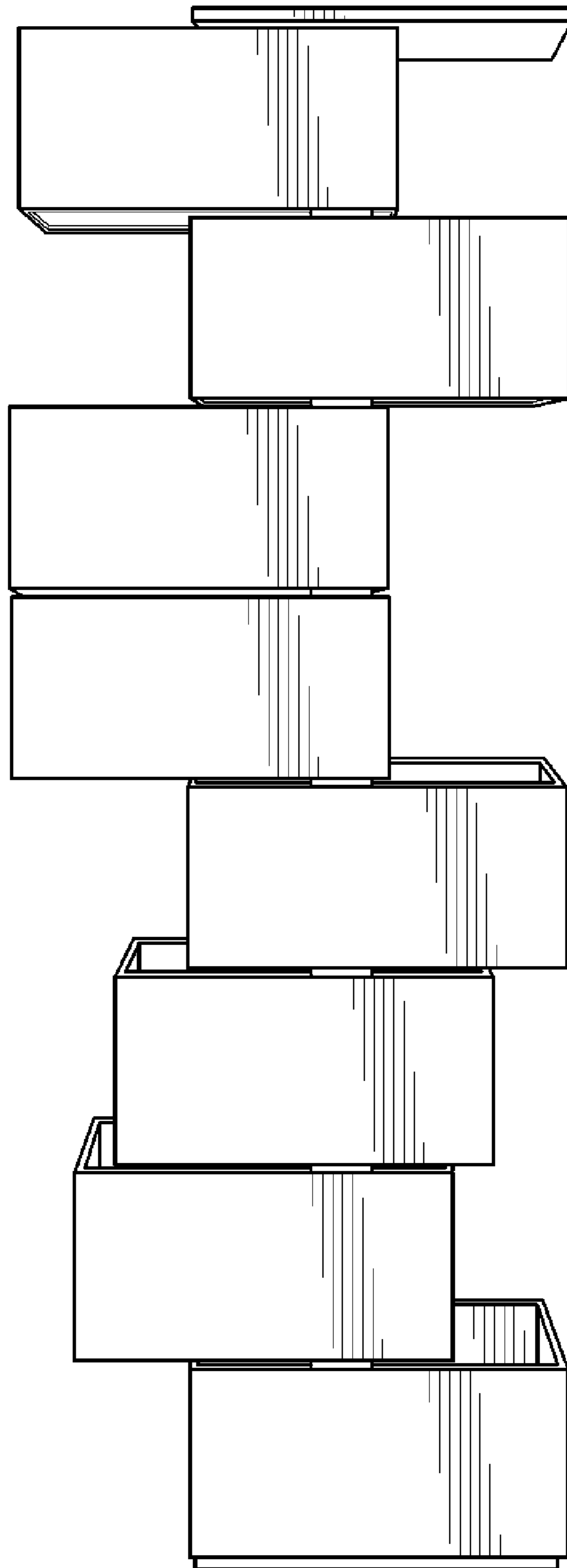


FIG. 4

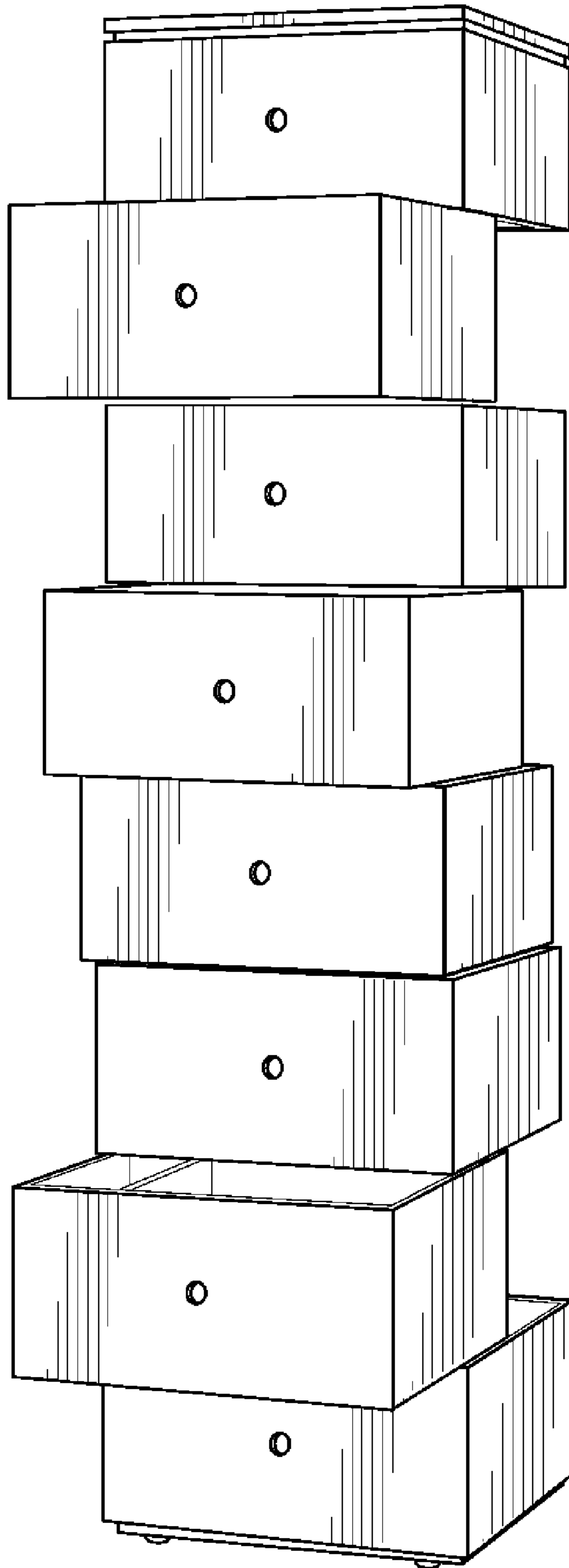


FIG. 5

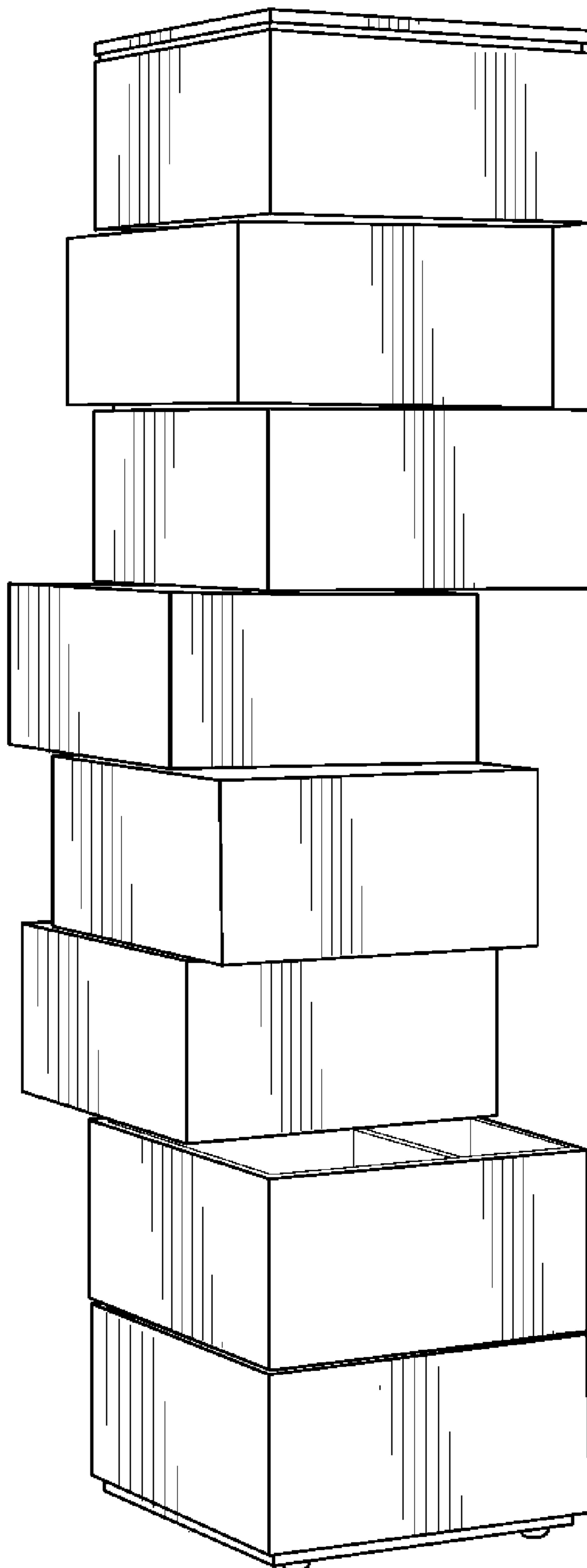


FIG. 6

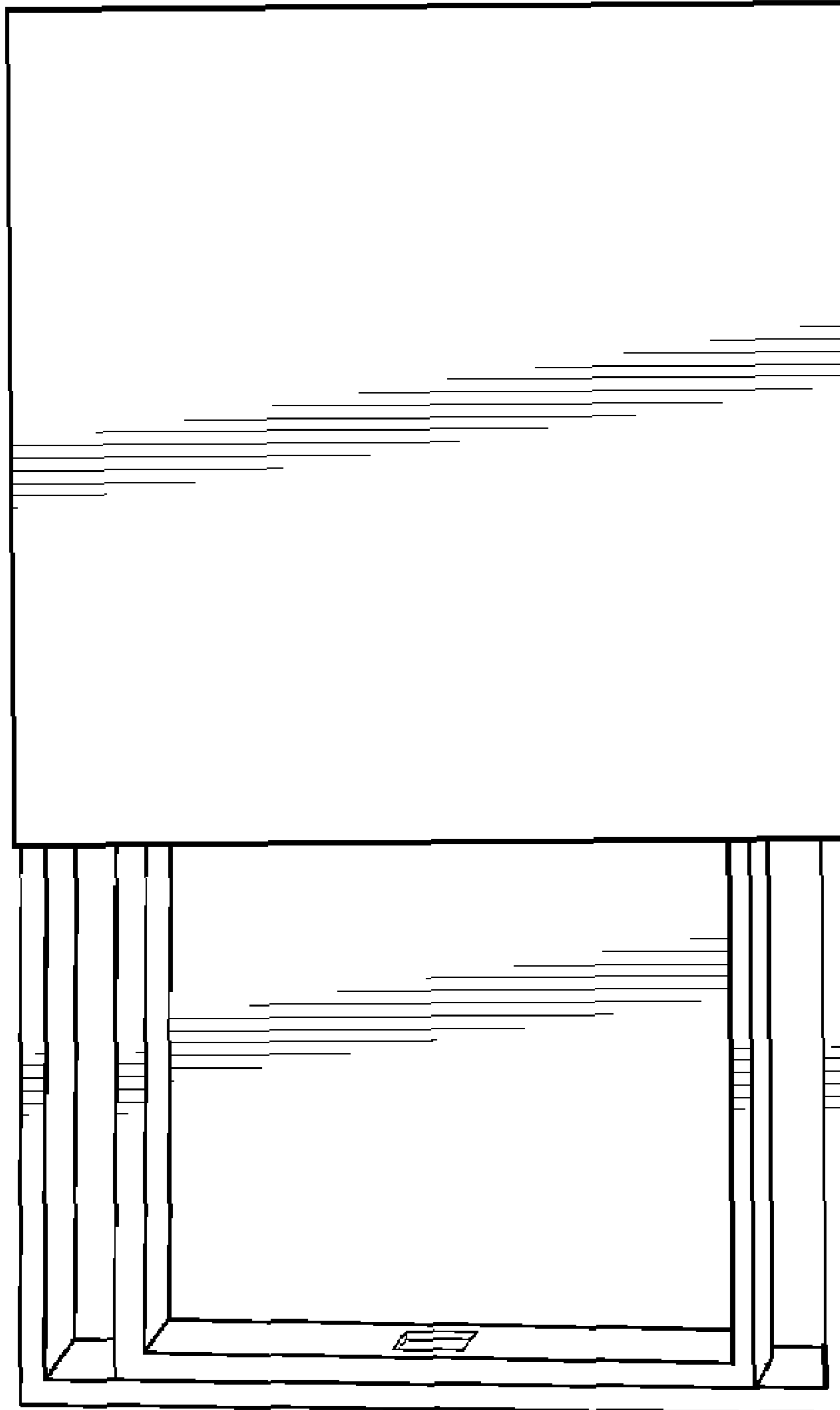


FIG. 7