

US00D596420S

(12) **United States Design Patent**  
**Yoshida**

(10) **Patent No.:** **US D596,420 S**  
(45) **Date of Patent:** **\*\* Jul. 21, 2009**

(54) **WORK TABLE FOR ENDOSCOPE**  
(75) Inventor: **Kouji Yoshida**, Tokyo (JP)  
(73) Assignee: **Fujinon Corporation**, Saitama-shi (JP)  
(\*\*) Term: **14 Years**

D426,691 S \* 6/2000 Johnson et al. .... D34/21  
D481,188 S \* 10/2003 DiGiacomo et al. .... D34/21  
D485,410 S \* 1/2004 Van Landingham, Jr. .... D34/21  
D548,918 S \* 8/2007 Nussberger ..... D34/17  
D555,869 S \* 11/2007 Zorzo ..... D34/14  
D555,870 S \* 11/2007 Zorzo ..... D34/14  
D572,424 S \* 7/2008 Presnell et al. .... D34/14  
D578,269 S \* 10/2008 Van Landingham, Jr. .... D34/17

(21) Appl. No.: **29/320,503**  
(22) Filed: **Jun. 27, 2008**

\* cited by examiner

(30) **Foreign Application Priority Data**  
Jan. 9, 2008 (JP) ..... 2008-000169

*Primary Examiner*—Caron Veynar  
*Assistant Examiner*—Sydney R Buffalow  
(74) *Attorney, Agent, or Firm*—Birch, Stewart, Kolasch & Birch, LLP

(51) **LOC (9) Cl.** ..... **06-04**  
(52) **U.S. Cl.** ..... **D6/396**  
(58) **Field of Classification Search** ..... D6/479,  
D6/476, 396, 426, 474; D34/21, 12, 17,  
D34/19, 20, 22, 27, 28, 14; D12/130; 211/134,  
211/150, 175  
See application file for complete search history.

(57) **CLAIM**

The ornamental design for a work table for endoscope, as shown and described.

(56) **References Cited**

**DESCRIPTION**

FIG. 1 is a top, front and side perspective view of a work table for endoscope showing my new design;  
FIG. 2 is a front elevational view thereof;  
FIG. 3 is a rear elevational view thereof;  
FIG. 4 is a top plan view thereof;  
FIG. 5 is a bottom plan view thereof;  
FIG. 6 is a left side elevational view thereof; and,  
FIG. 7 is the top, front and side perspective view thereof in a manner of pulling out a tray.

**U.S. PATENT DOCUMENTS**

D286,625 S \* 11/1986 Brennan ..... D12/130  
D305,710 S \* 1/1990 Ng et al. .... D6/474  
D324,143 S \* 2/1992 Hammond ..... D6/474  
D339,441 S \* 9/1993 Marchant et al. .... D34/21  
D346,251 S \* 4/1994 Morooka ..... D34/17  
5,833,083 A \* 11/1998 Miller ..... 211/134  
D403,536 S \* 1/1999 Olson et al. .... D6/479  
D406,201 S \* 3/1999 Olson et al. .... D6/426

**1 Claim, 7 Drawing Sheets**

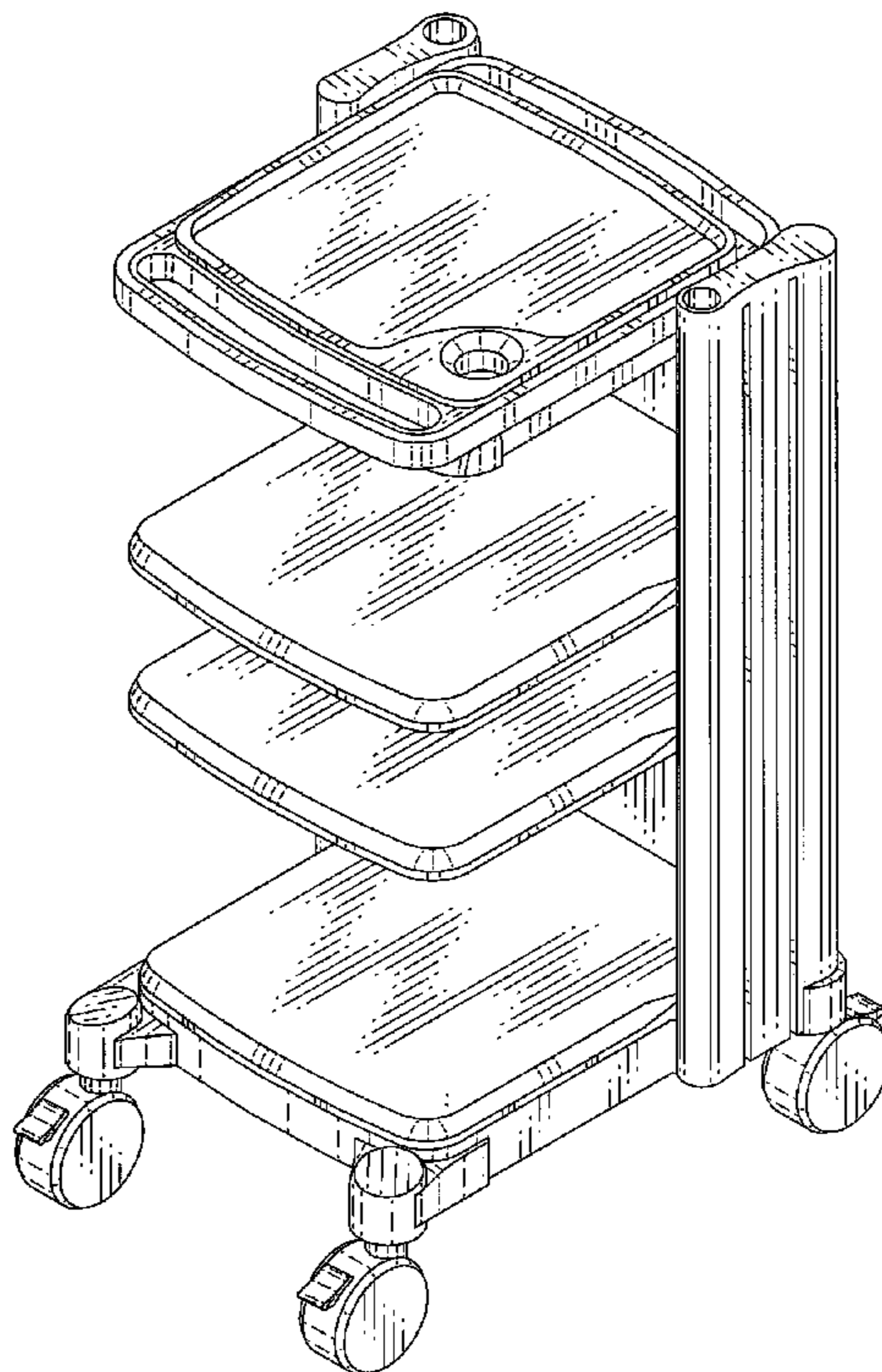


FIG. 1

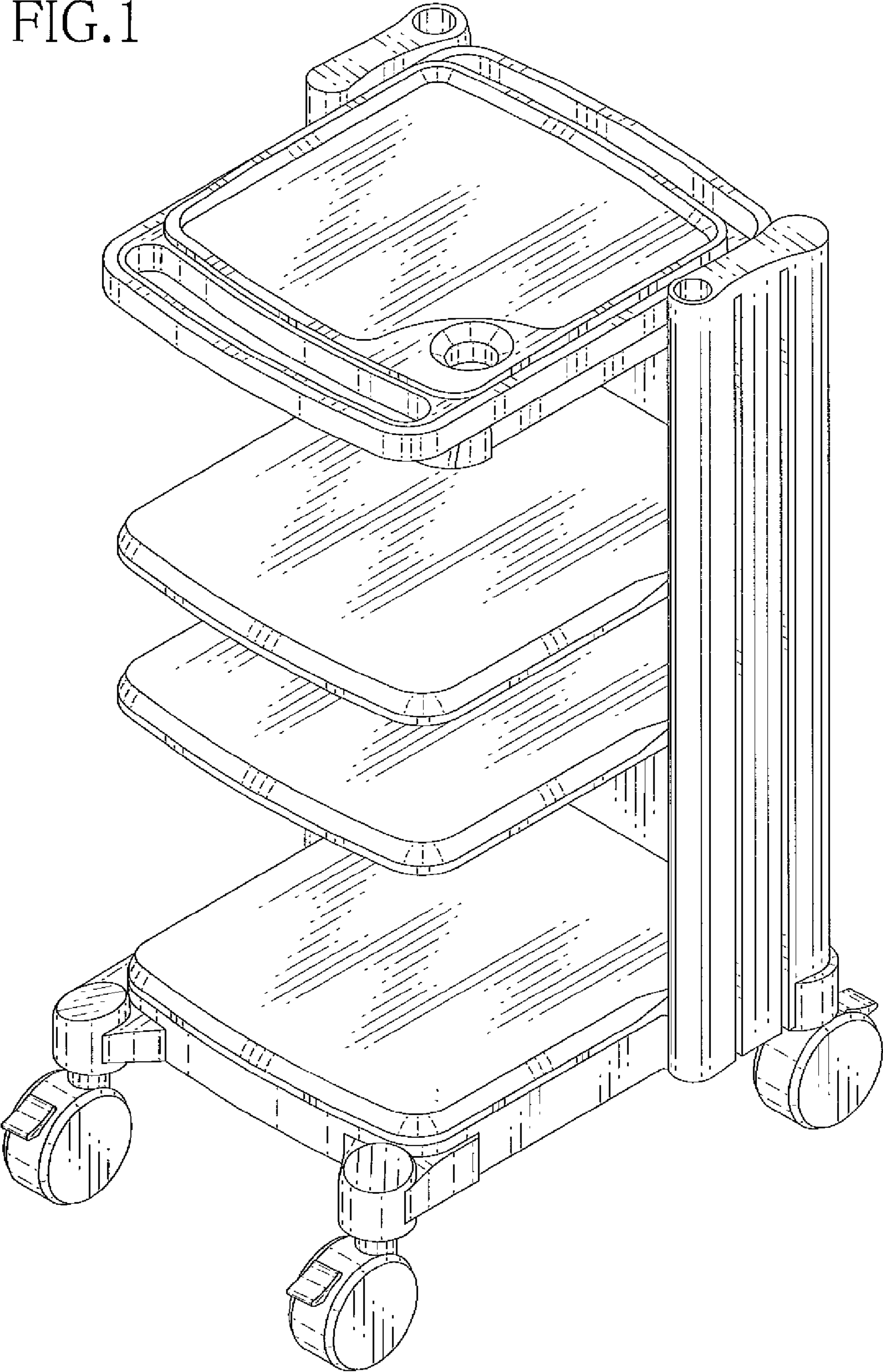


FIG. 2

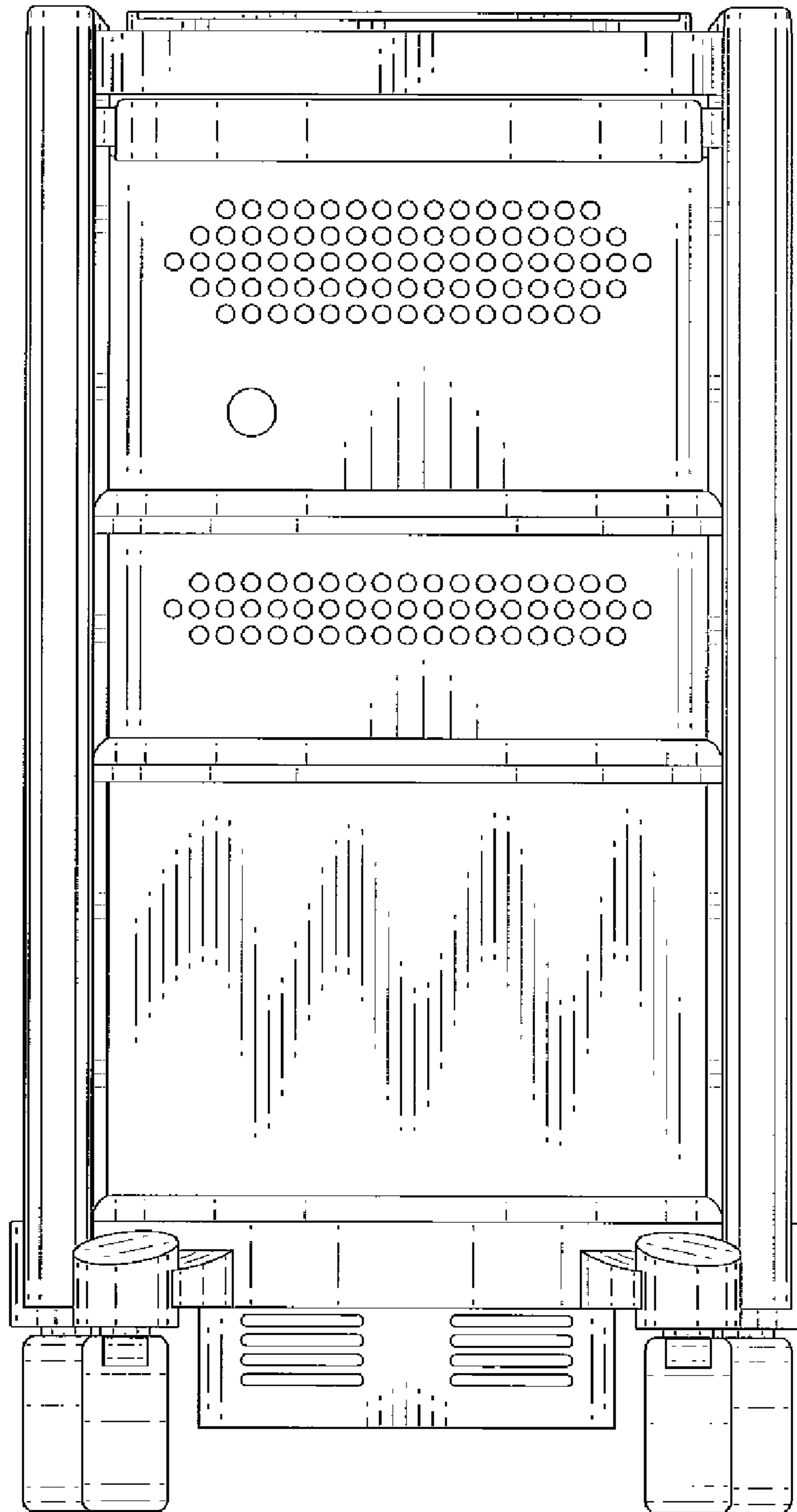


FIG. 3

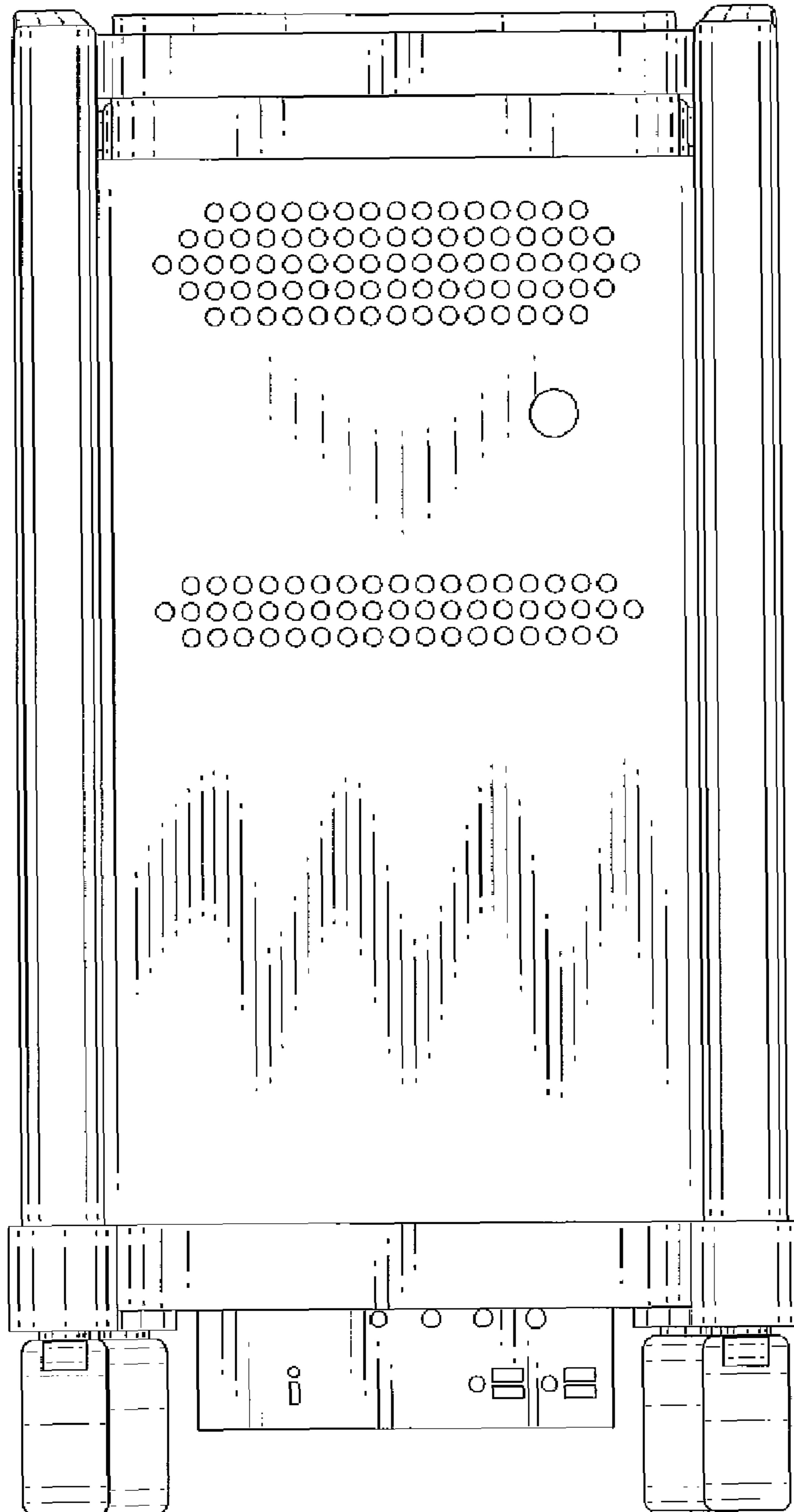


FIG.4

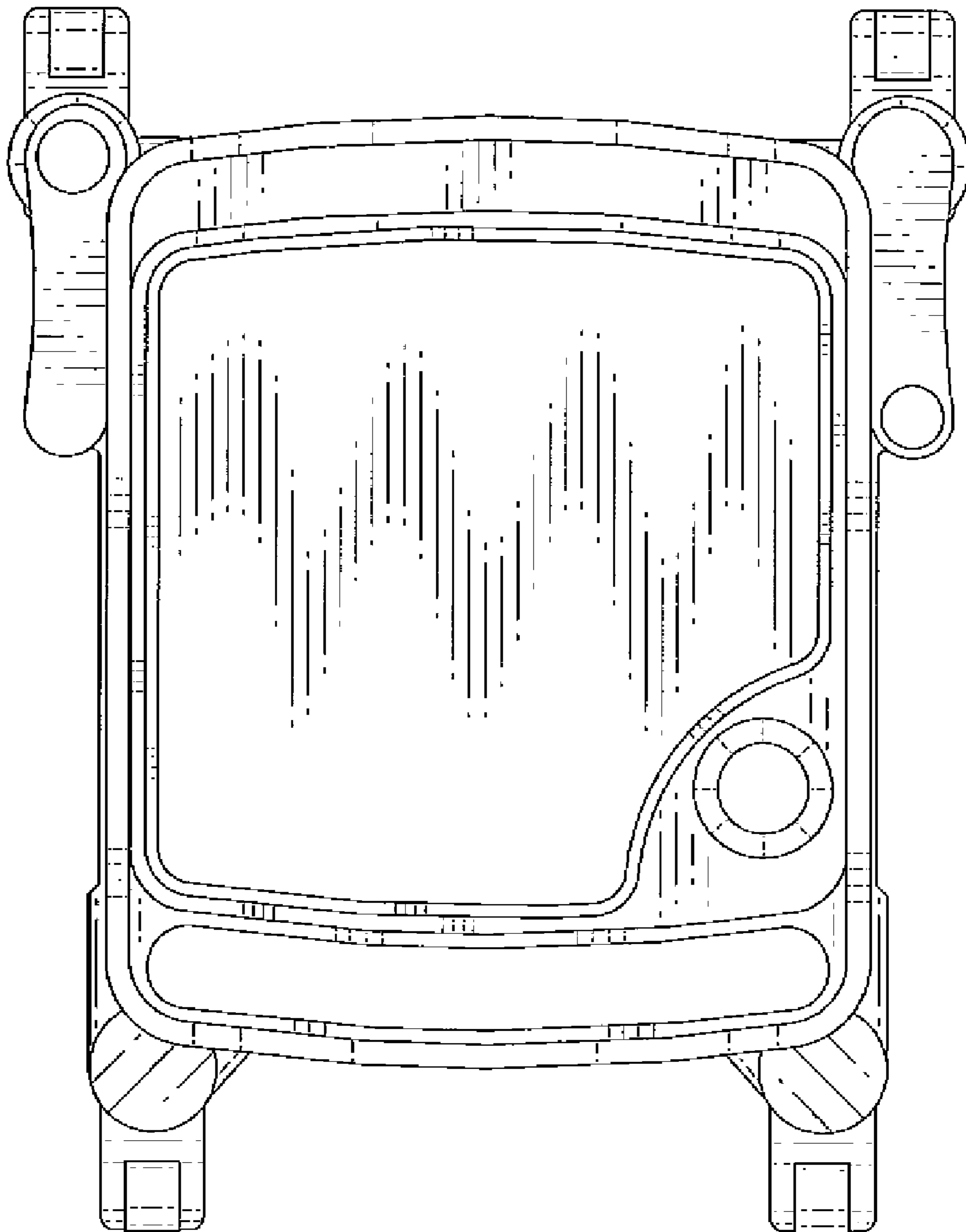


FIG. 5

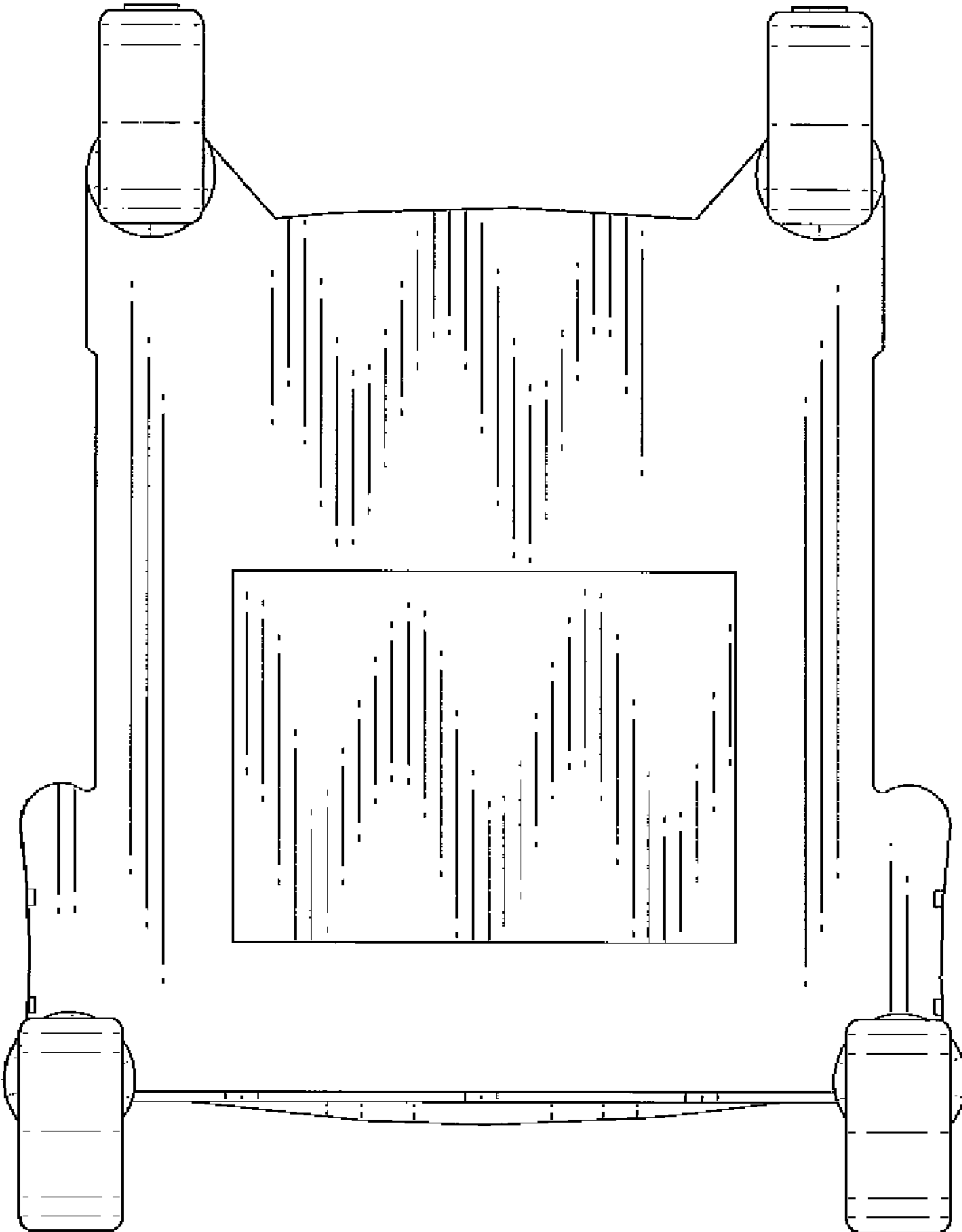


FIG. 6

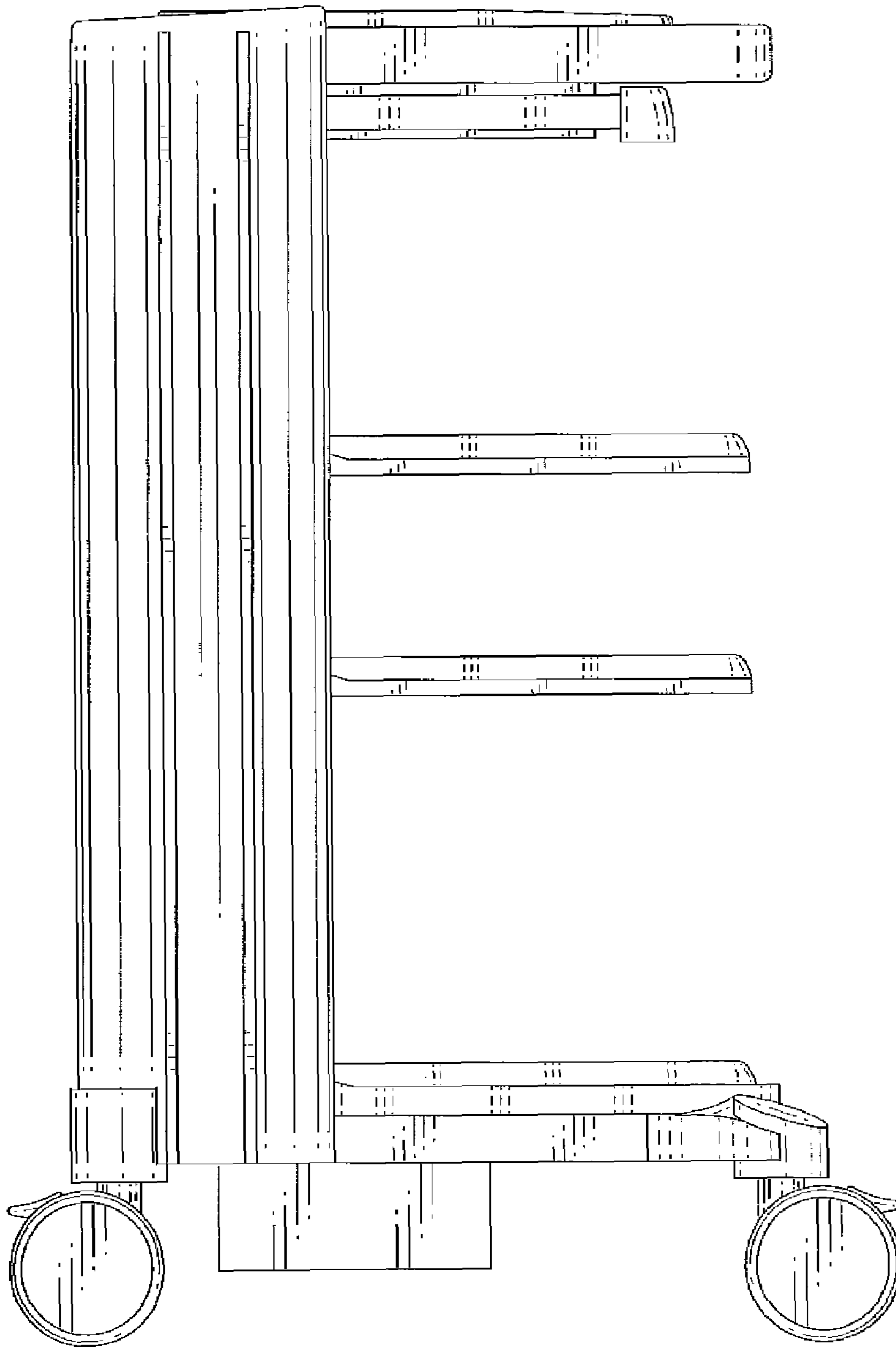


FIG. 7

