



US00D596418S

(12) **United States Design Patent**  
**Ueda**

(10) **Patent No.:** **US D596,418 S**  
(45) **Date of Patent:** **\*\* Jul. 21, 2009**

(54) **CHAIR**

(75) Inventor: **Nobuyuki Ueda**, Osaka (JP)

(73) Assignee: **Kokuyo Co., Ltd.**, Osaka (JP)

(\*\*) Term: **14 Years**

(21) Appl. No.: **29/321,209**

(22) Filed: **Jul. 13, 2008**

(30) **Foreign Application Priority Data**

Jan. 16, 2008 (JP) ..... 2008-000686

(51) **LOC (9) Cl.** ..... **06-01**

(52) **U.S. Cl.** ..... **D6/366**

(58) **Field of Classification Search** ..... D6/334-336,  
D6/364, 365, 366, 367, 368, 374, 498, 500-502;  
297/284.1, 284.4, 411.27, 452.11, 452.21,  
297/452.29, 452.3, 463.1

See application file for complete search history.

(56) **References Cited**

**U.S. PATENT DOCUMENTS**

D548,993 S \* 8/2007 Fancelli ..... D6/366  
D553,376 S \* 10/2007 Nakamura et al. .... D6/366  
D557,027 S \* 12/2007 Hara ..... D6/366  
D557,917 S \* 12/2007 Nakamura et al. .... D6/366  
D557,918 S \* 12/2007 Nakamura et al. .... D6/366

D567,523 S \* 4/2008 Hara ..... D6/366  
\* cited by examiner

*Primary Examiner*—Mimosa De

(74) *Attorney, Agent, or Firm*—Eaton Peabody Patent Group, LLC; Dennis R. Haszko

(57) **CLAIM**

The ornamental design for a chair, as shown and described.

**DESCRIPTION**

FIG. 1 is a front perspective view of the chair showing the design;

FIG. 2 is a rear perspective view thereof;

FIG. 3 is a front elevation view thereof;

FIG. 4 is a sectional view taken along the section line 3A—3A of FIG. 3, in which elements other than the section are not shown;

FIG. 5 is a sectional view taken along the section line 3B—3B of FIG. 3 in which the base portion is not shown;

FIG. 6 is a rear elevation view thereof;

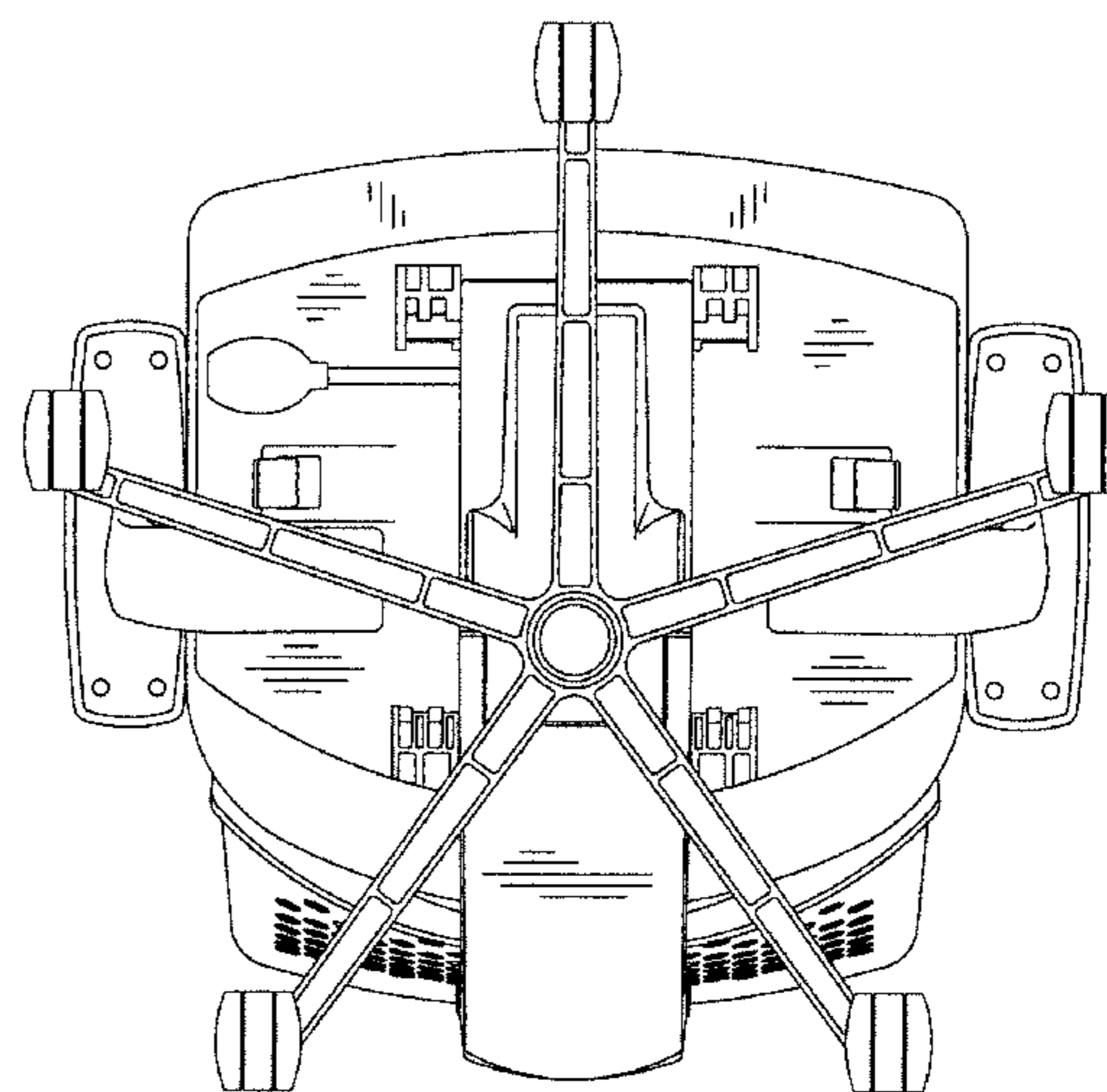
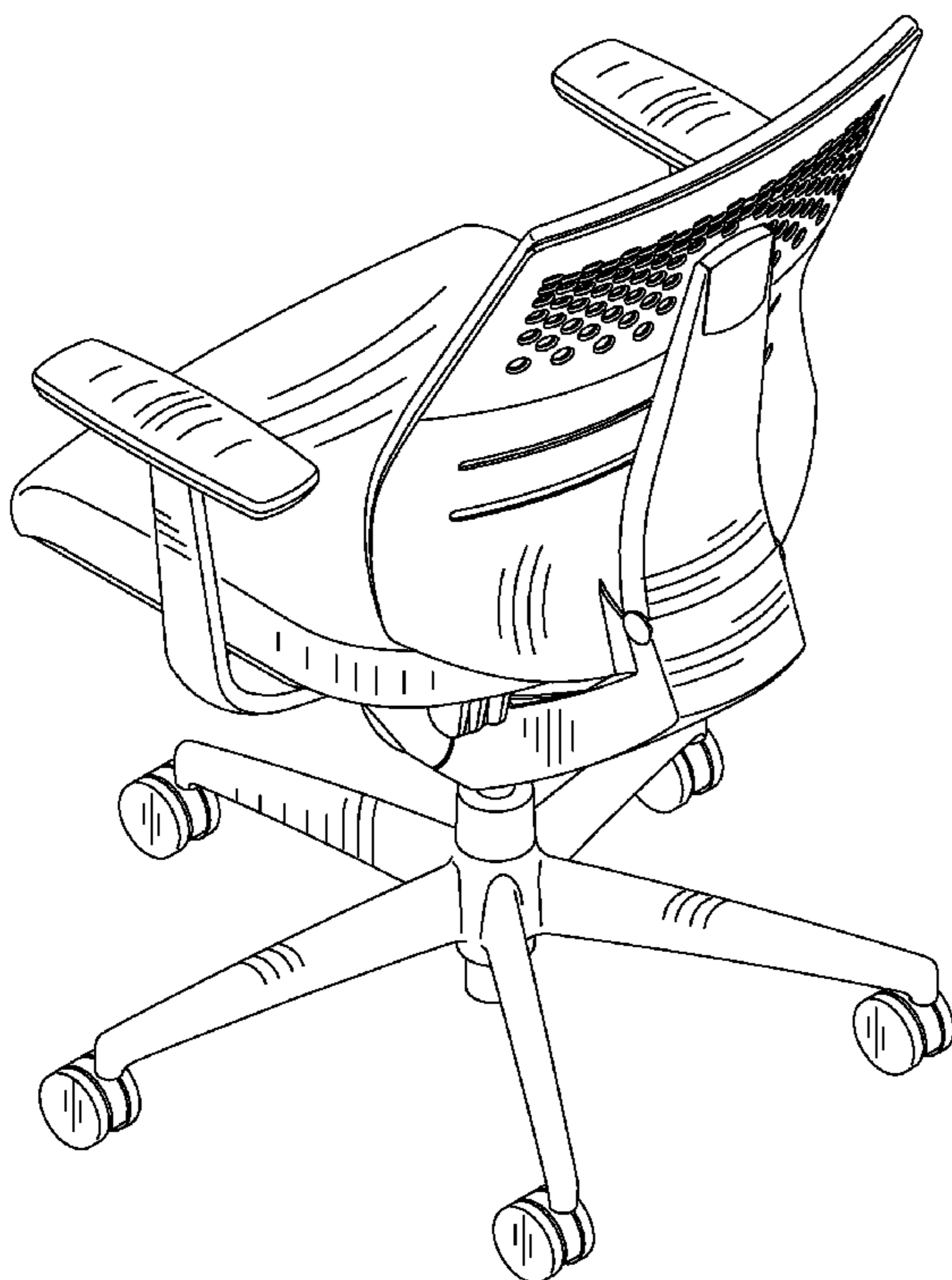
FIG. 7 is a top plan view thereof;

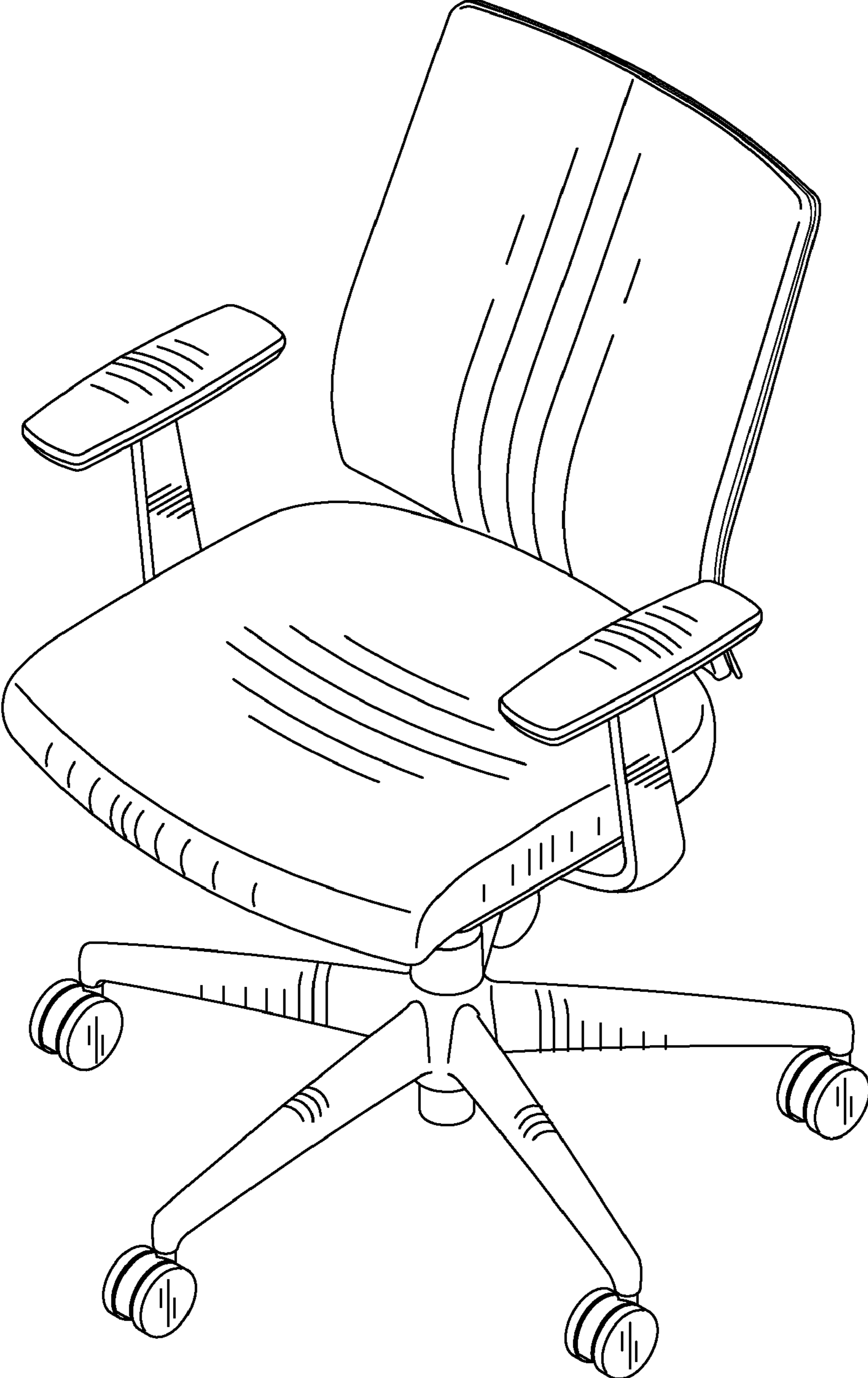
FIG. 8 is a bottom plan view thereof;

FIG. 9 is a right elevation view thereof; and,

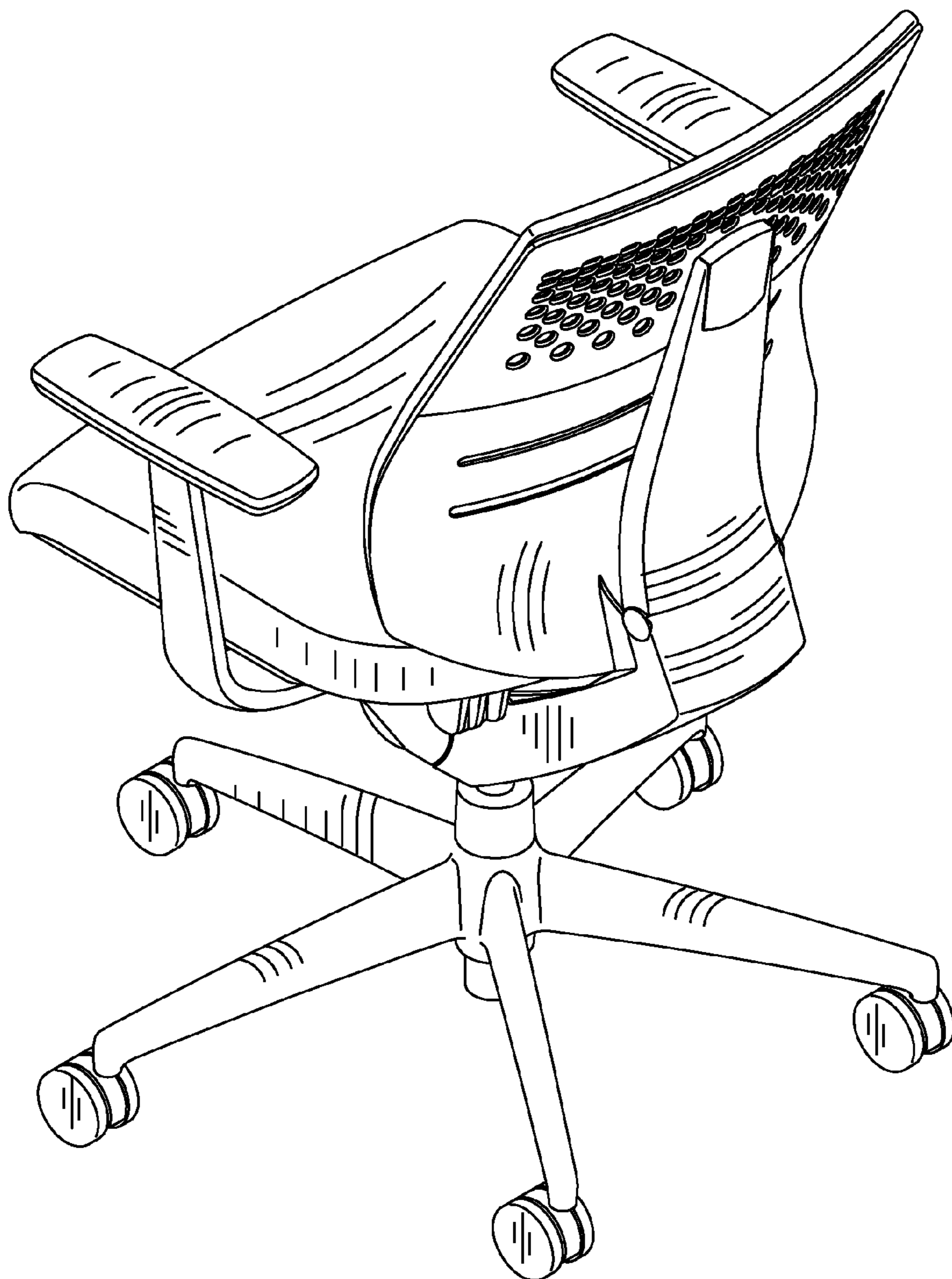
FIG. 10 is a left elevation view thereof.

**1 Claim, 9 Drawing Sheets**

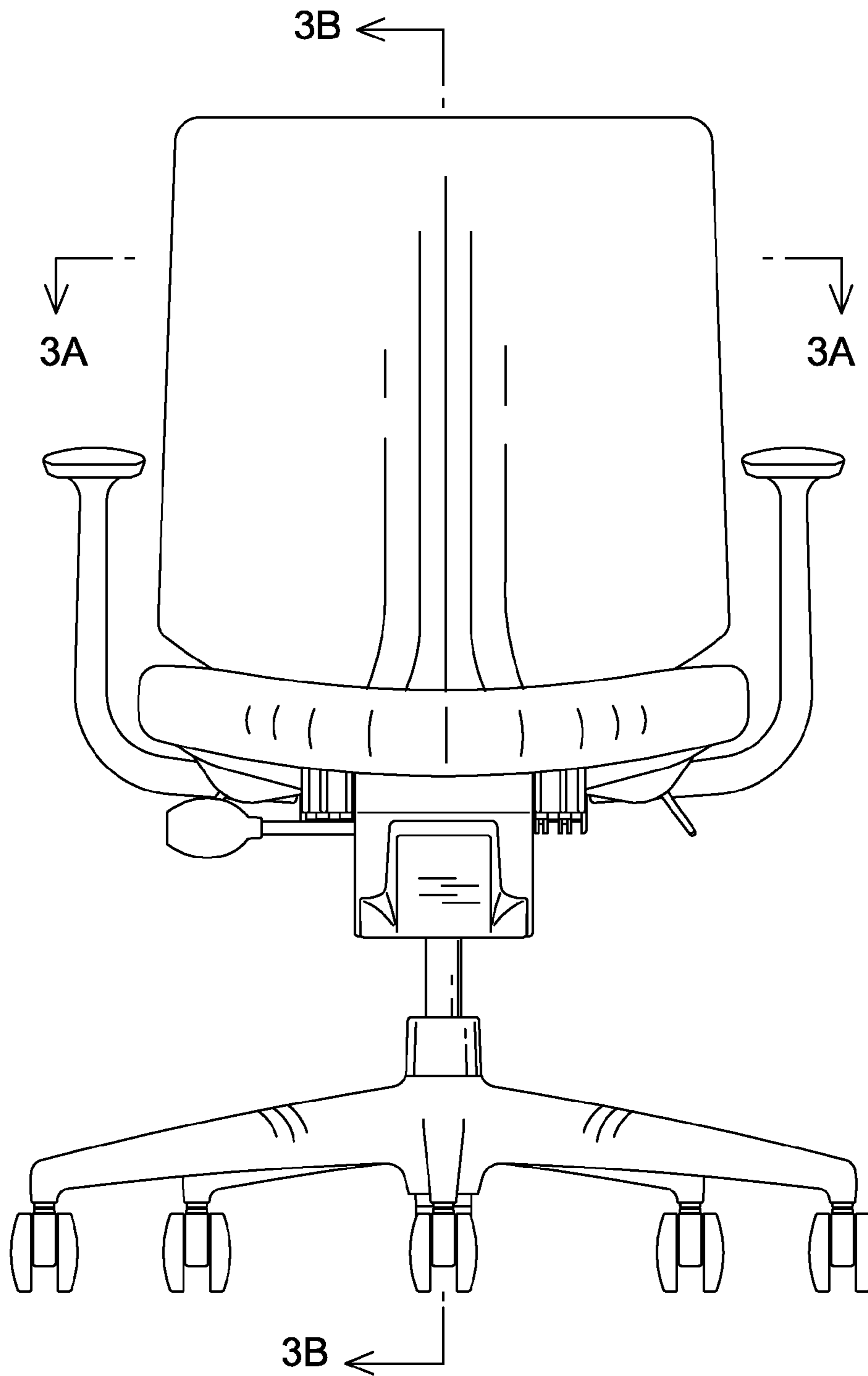




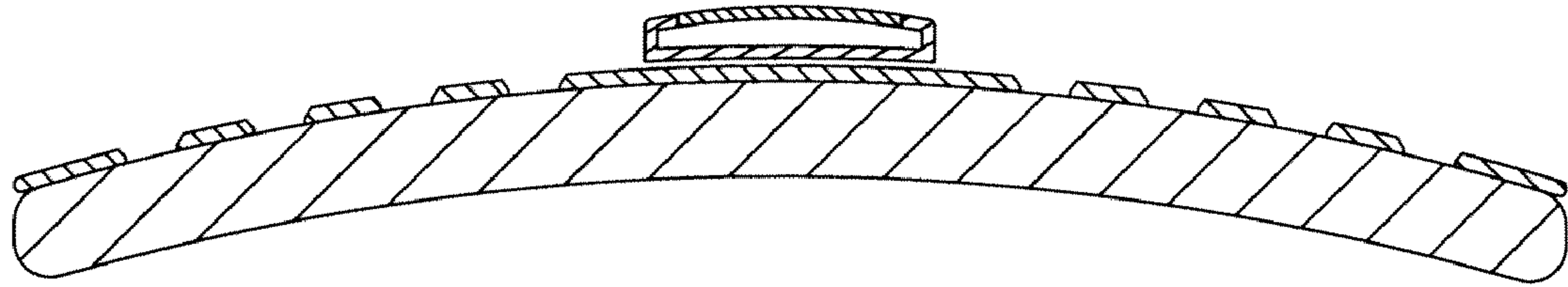
**FIG. 1**



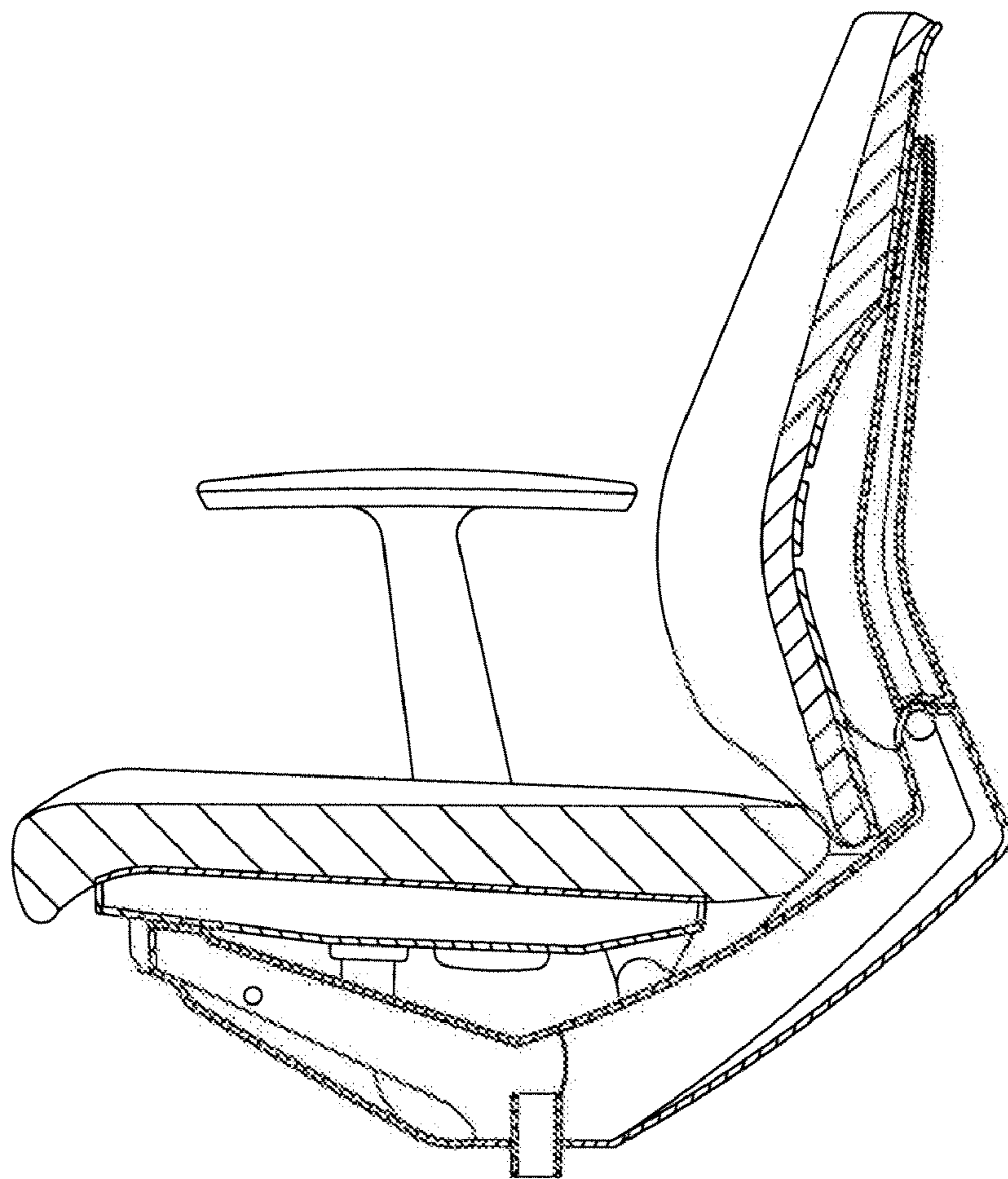
**FIG. 2**



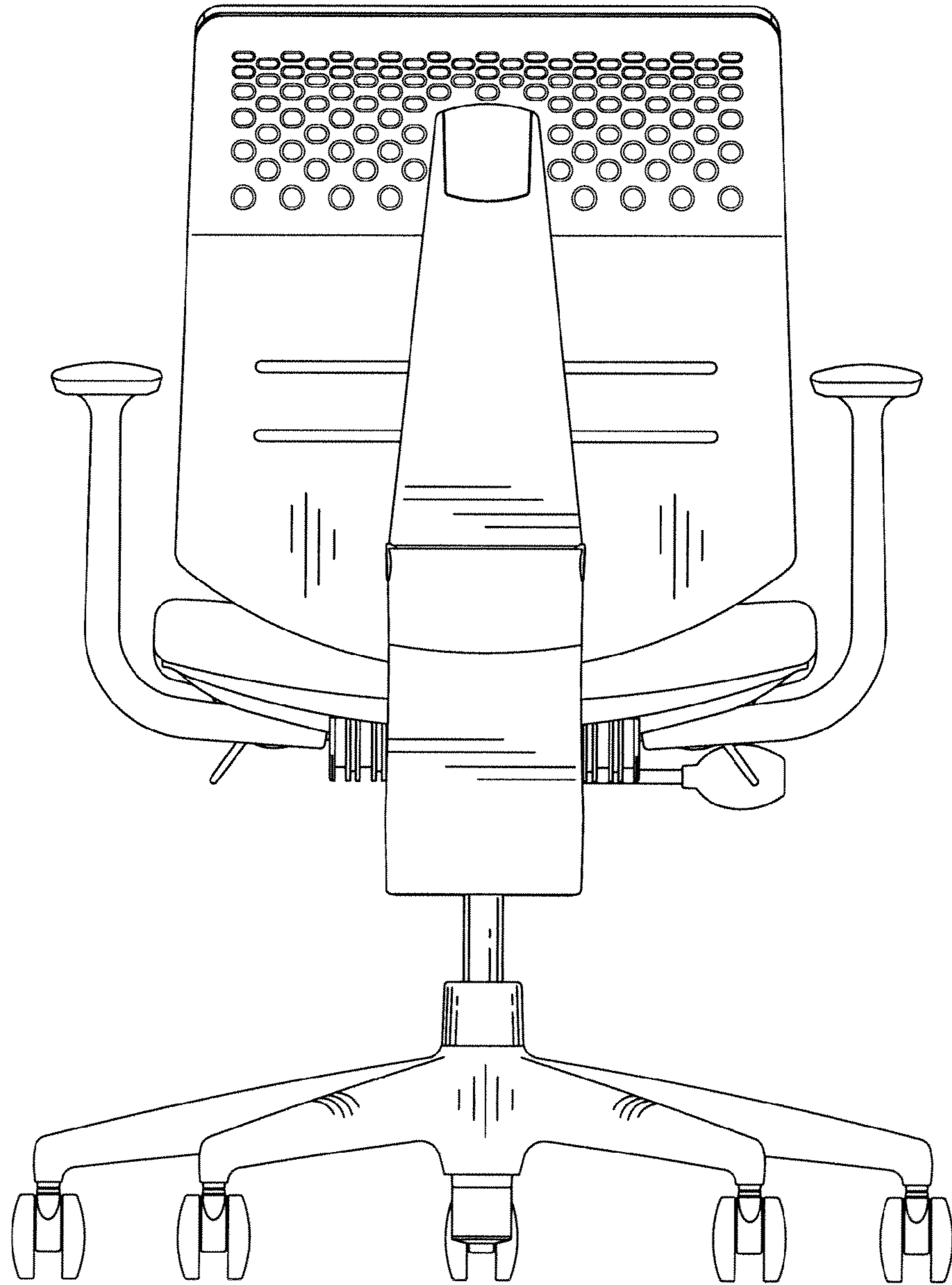
**FIG. 3**



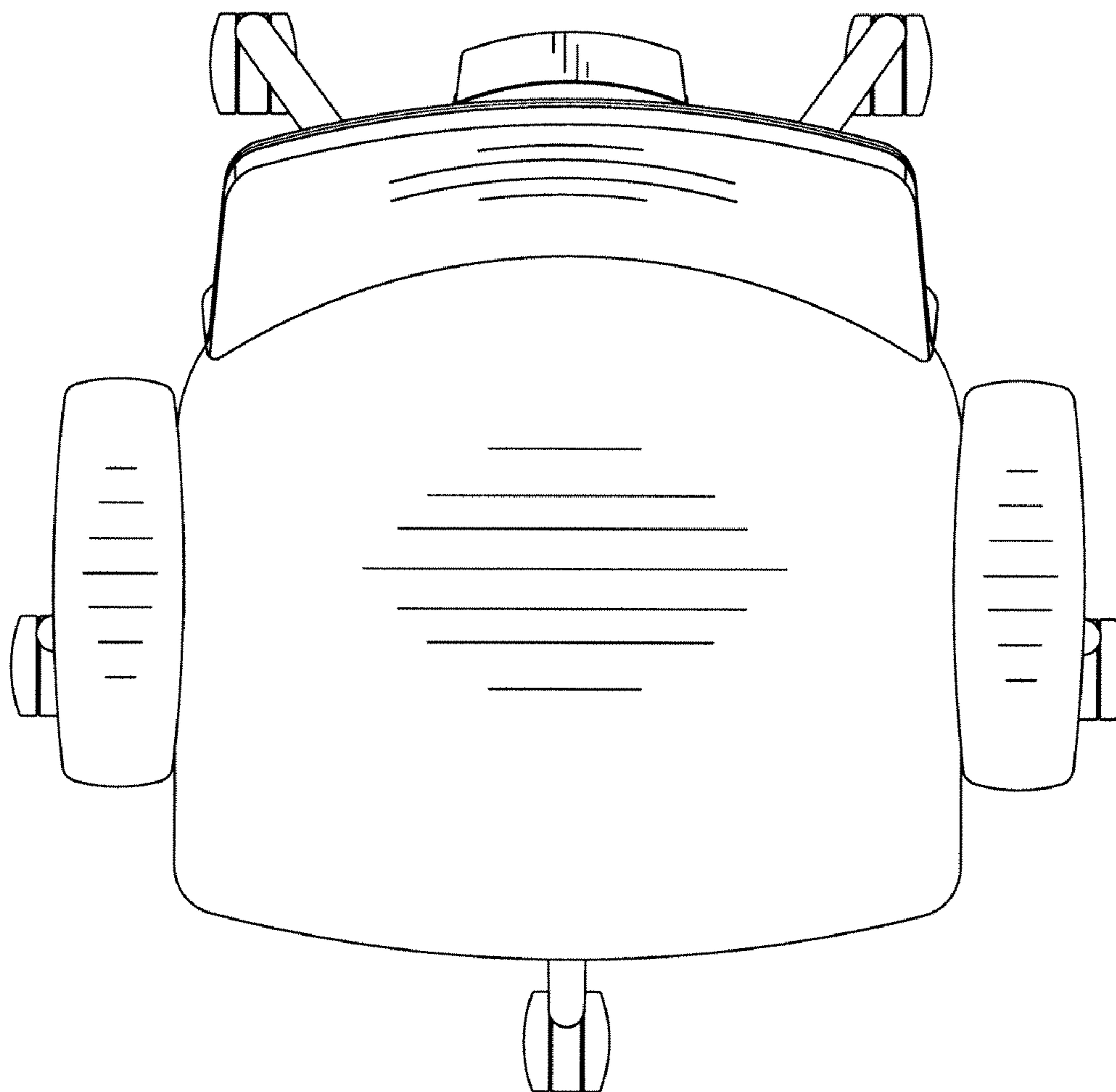
**FIG. 4**



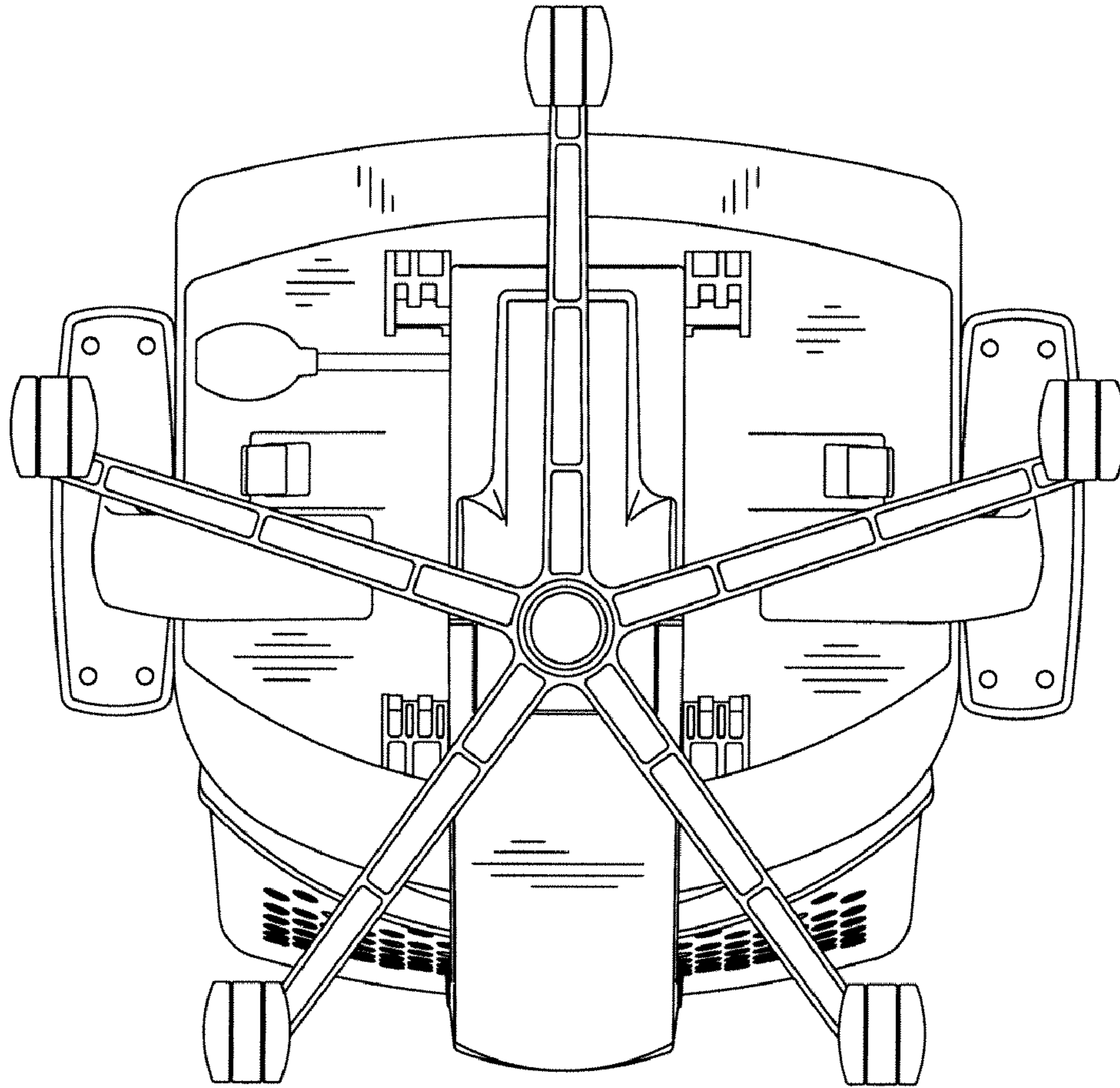
**FIG. 5**



**FIG. 6**

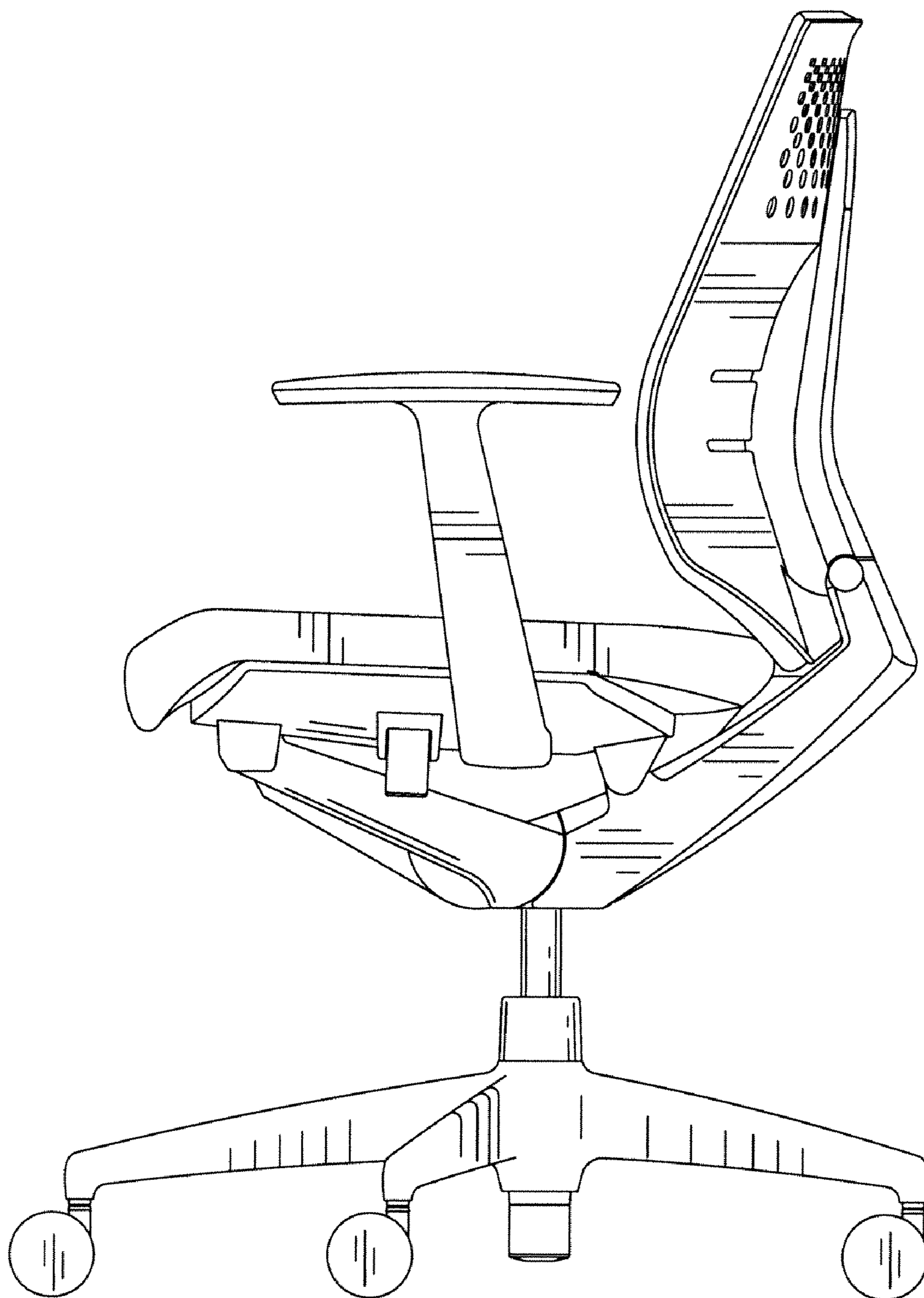


**FIG. 7**

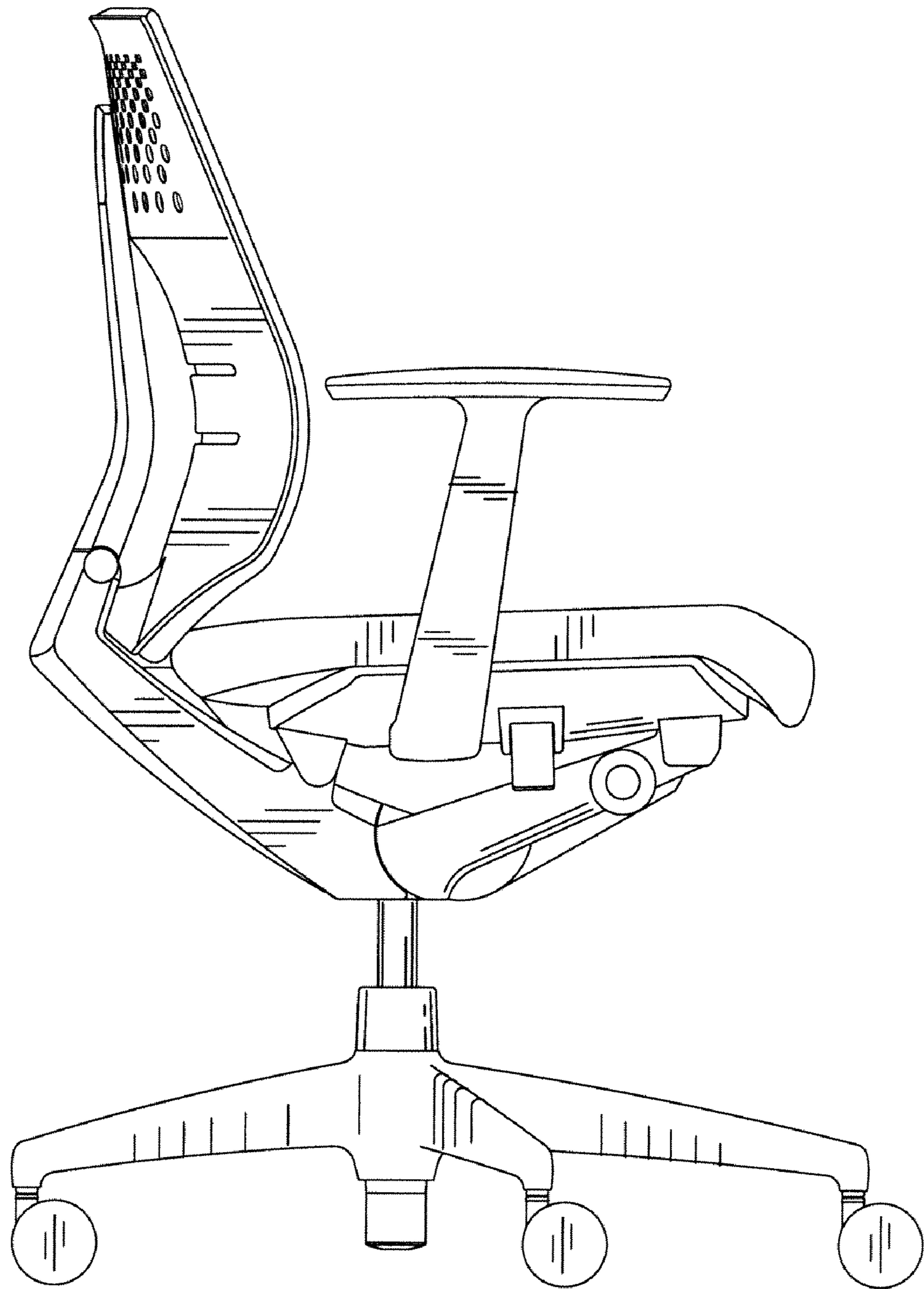


**FIG. 8**





**FIG. 9**



**FIG. 10**