



US00D596411S

(12) **United States Design Patent**  
**May**

(10) **Patent No.:** **US D596,411 S**  
(45) **Date of Patent:** **\*\* Jul. 21, 2009**

(54) **CHILD'S STADIUM SEAT**

(76) Inventor: **Rachel E. May**, 6504 Country Side  
Trail, Liberty Township, OH (US) 45044

(\*\*) Term: **14 Years**

(21) Appl. No.: **29/307,580**

(22) Filed: **Apr. 29, 2008**

(51) **LOC (9) Cl.** ..... **06-01**

(52) **U.S. Cl.** ..... **D6/333**

(58) **Field of Classification Search** ..... D6/333,  
D6/335, 339, 491, 499-502; D12/129; D21/412,  
D21/416, 419; 280/30, 31; 5/93.1, 93.2,  
5/94, 98.1, 99.1, 101, 102, 655; 297/183.1,  
297/183.2, 183.3, 183.4, 184.14, 184.15,  
297/250.1, 255, 256.15, 256.16  
See application file for complete search history.

(56) **References Cited**

**U.S. PATENT DOCUMENTS**

3,463,504	A *	8/1969	Petry et al. ....	280/31
3,992,056	A *	11/1976	Koziatek et al. ....	297/256.13
4,092,049	A *	5/1978	Schoblom .....	297/440.23
D264,788	S *	6/1982	Blanchard .....	D6/333
D266,044	S *	9/1982	Blanchard .....	D6/375
D286,470	S *	11/1986	Takada .....	D6/333
D286,586	S *	11/1986	Radford .....	D6/334
4,711,490	A *	12/1987	Brand .....	297/250.1
4,762,331	A *	8/1988	Tucker et al. ....	280/30
D301,188	S *	5/1989	Casale .....	D6/335
4,828,281	A *	5/1989	Sanchas .....	280/30
D302,410	S *	7/1989	Tucker et al. ....	D12/129
D306,711	S *	3/1990	Bolanos et al. ....	D12/129
D310,054	S *	8/1990	Tucker et al. ....	D12/129
4,946,180	A *	8/1990	Baer .....	280/39
D321,992	S *	12/1991	Butler .....	D6/356
5,104,134	A *	4/1992	Cone .....	280/30
D330,527	S *	10/1992	Jones .....	D12/129

D332,590	S *	1/1993	Robinson .....	D12/129
D333,923	S *	3/1993	Dainty .....	D6/333
D337,210	S *	7/1993	Silverman .....	D6/333
D339,477	S *	9/1993	Kain .....	D6/333
D345,720	S *	4/1994	Pohl .....	D12/129
D353,947	S *	1/1995	Gain .....	D6/333
D358,058	S *	5/1995	Anthony et al. ....	D6/333
D361,743	S *	8/1995	Matsumoto et al. ....	D12/129
D371,248	S *	7/1996	Niessen et al. ....	D6/333
5,560,680	A *	10/1996	Salvador et al. ....	297/256.15
D381,818	S *	8/1997	Wood .....	D6/333
D434,232	S *	11/2000	Abendschoen .....	D6/333
D482,641	S *	11/2003	Hansen .....	D12/129
D502,329	S *	3/2005	Belramoul et al. ....	D6/333
D524,560	S *	7/2006	Berhow et al. ....	D6/335
D529,302	S *	10/2006	Loehr .....	D6/333

\* cited by examiner

*Primary Examiner*—Sandra Snapp

(74) *Attorney, Agent, or Firm*—Neal O. Willmann

(57) **CLAIM**

The ornamental design for the child's stadium seat, as shown and described.

**DESCRIPTION**

FIG. 1 is a perspective view of a child's stadium seat showing my new design;

FIG. 2 is a top plan view thereof;

FIG. 3 is a front elevational view thereof;

FIG. 4 is a right side elevational view thereof;

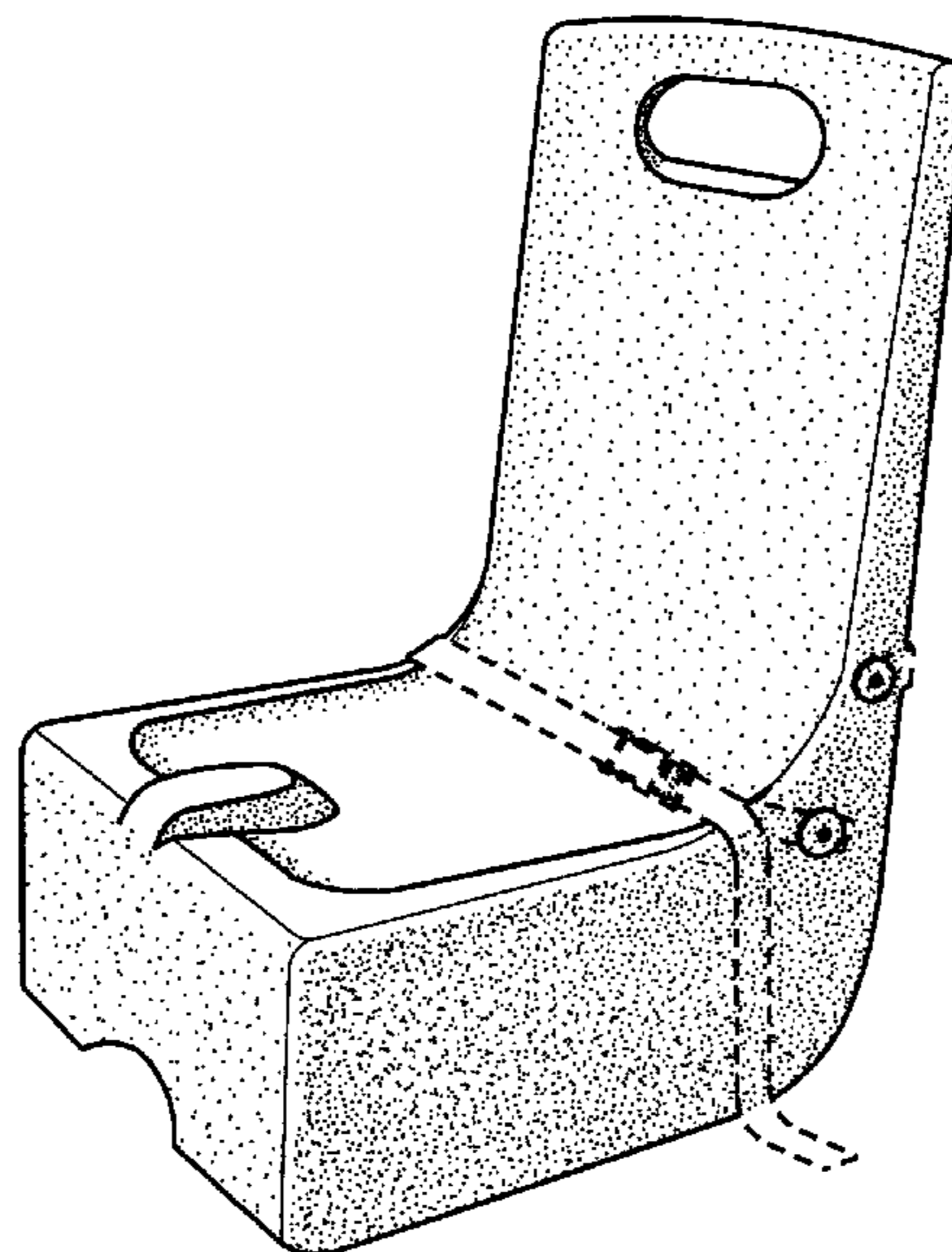
FIG. 5 is a left side elevational view thereof;

FIG. 6 is a bottom plan view thereof; and,

FIG. 7 is a rear elevational view thereof.

The broken lines shown in the drawings are for illustrative purposes only and form no part of the claimed design.

**1 Claim, 3 Drawing Sheets**



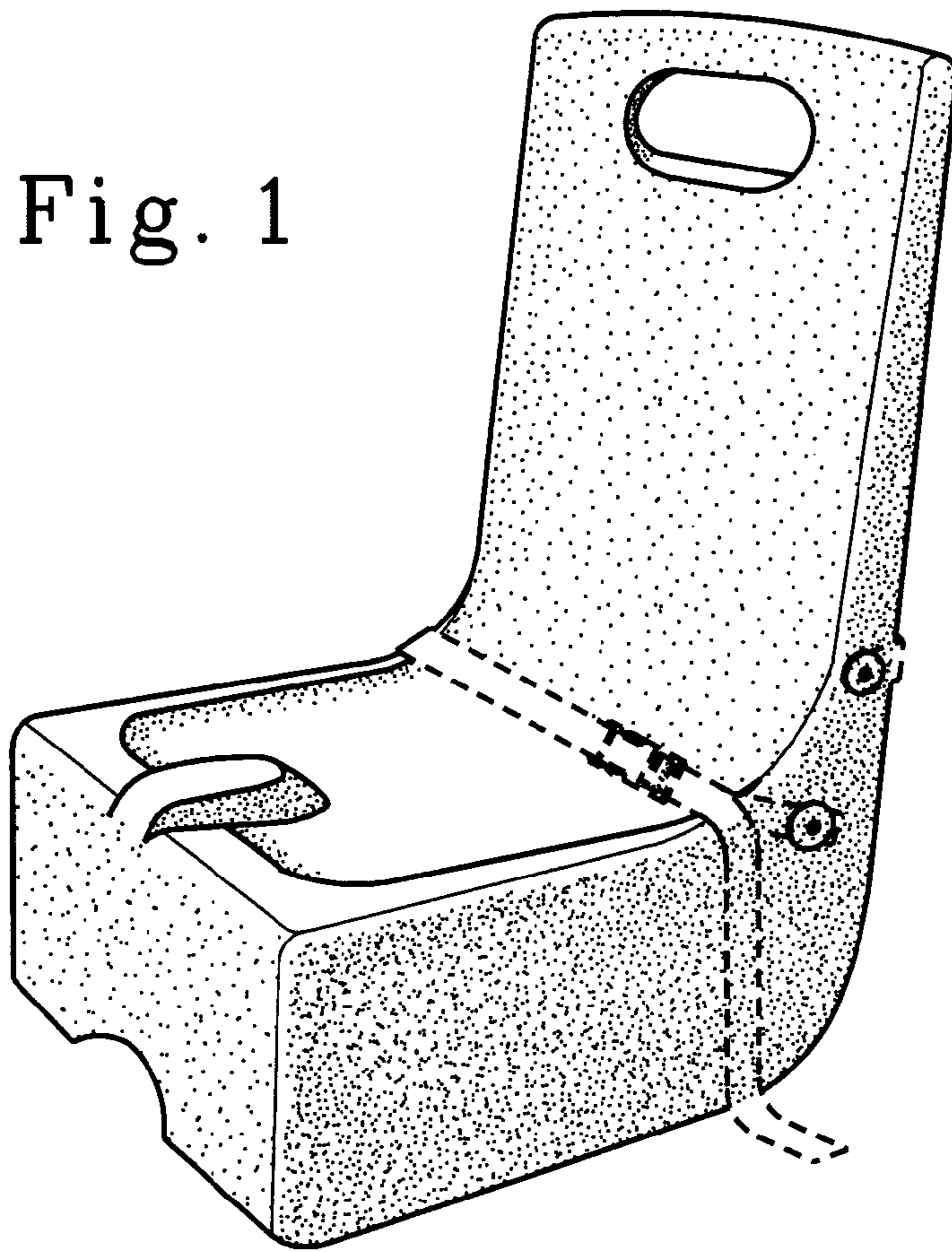


Fig. 2

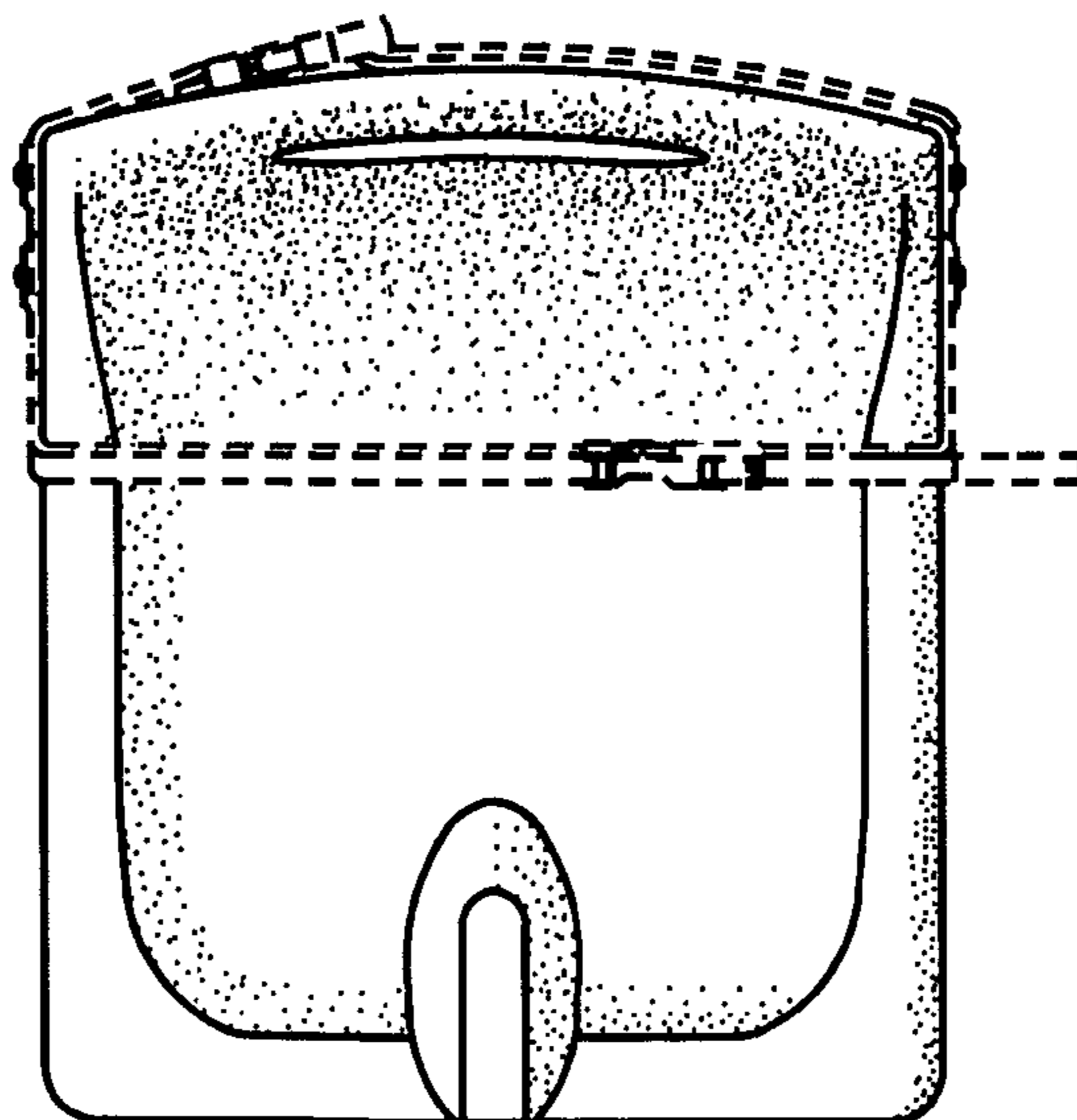


Fig. 3

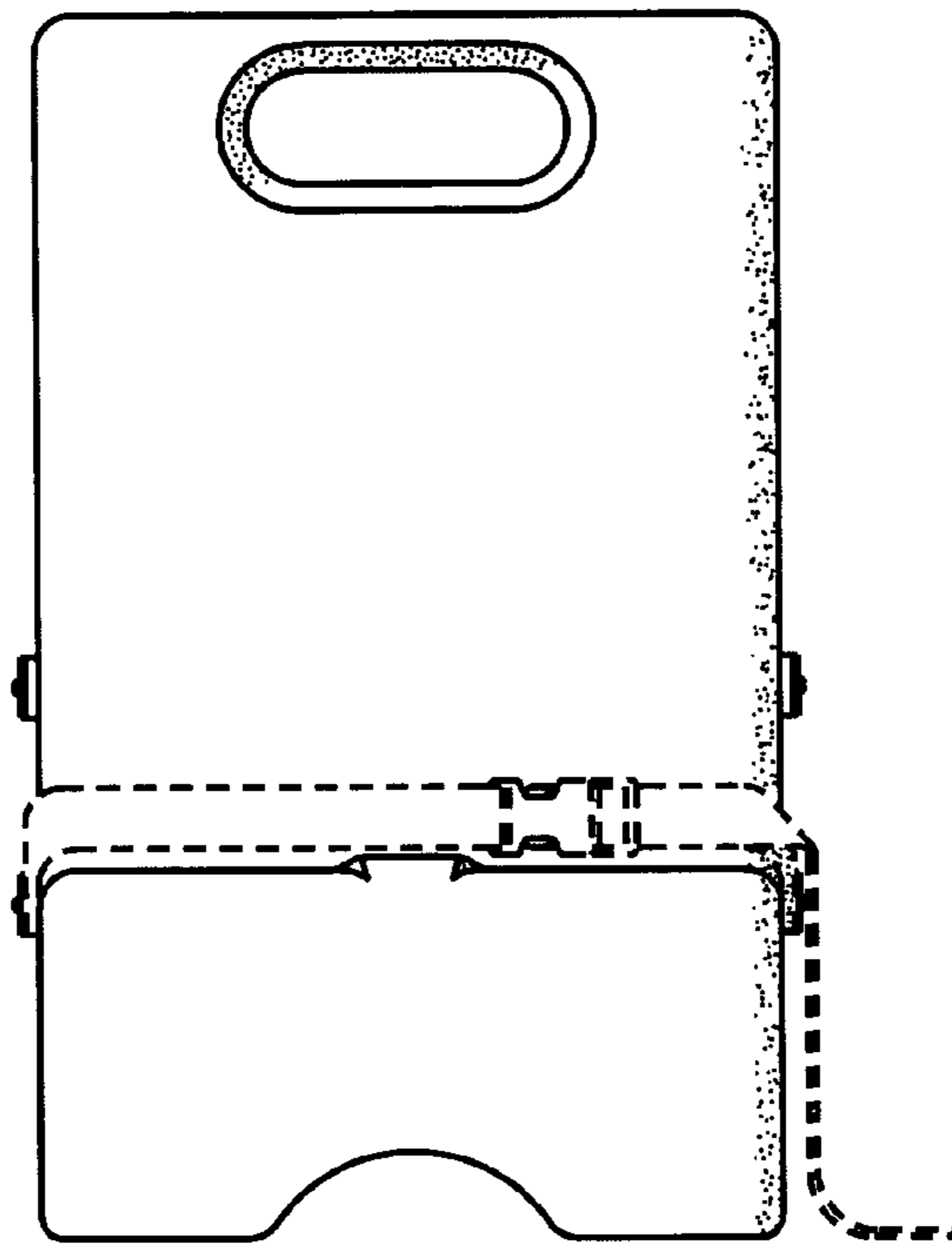


Fig. 5

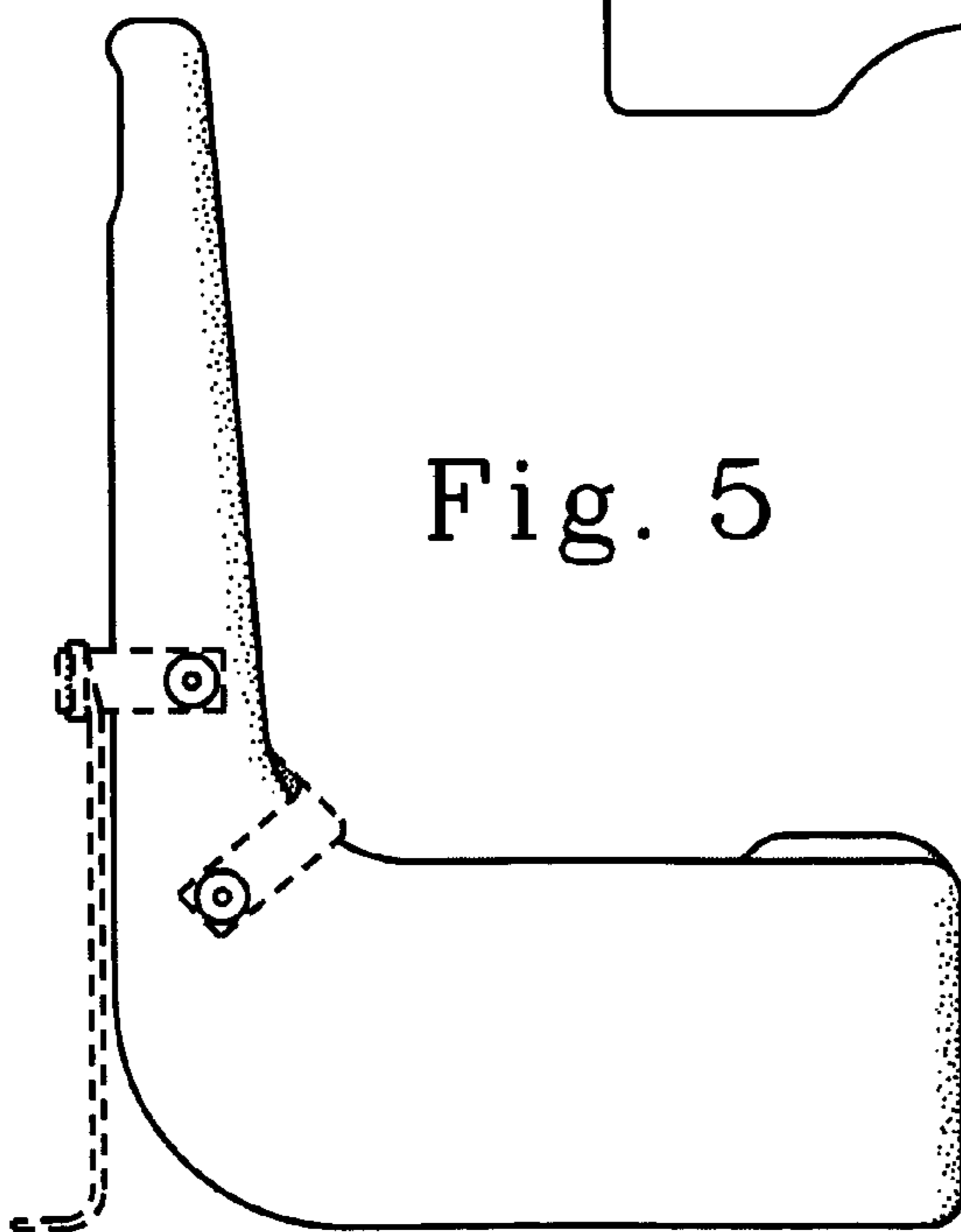


Fig. 4

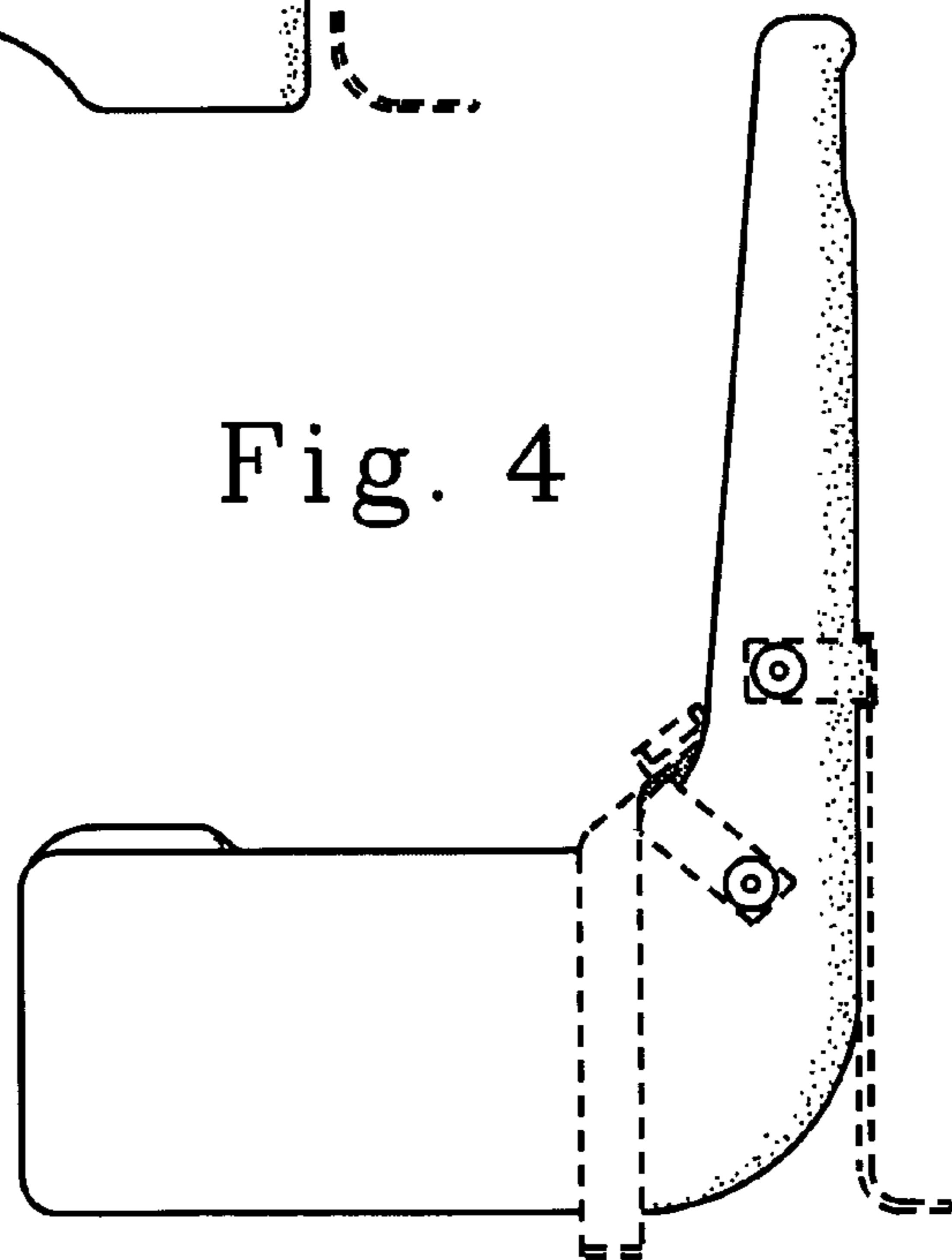


Fig. 6

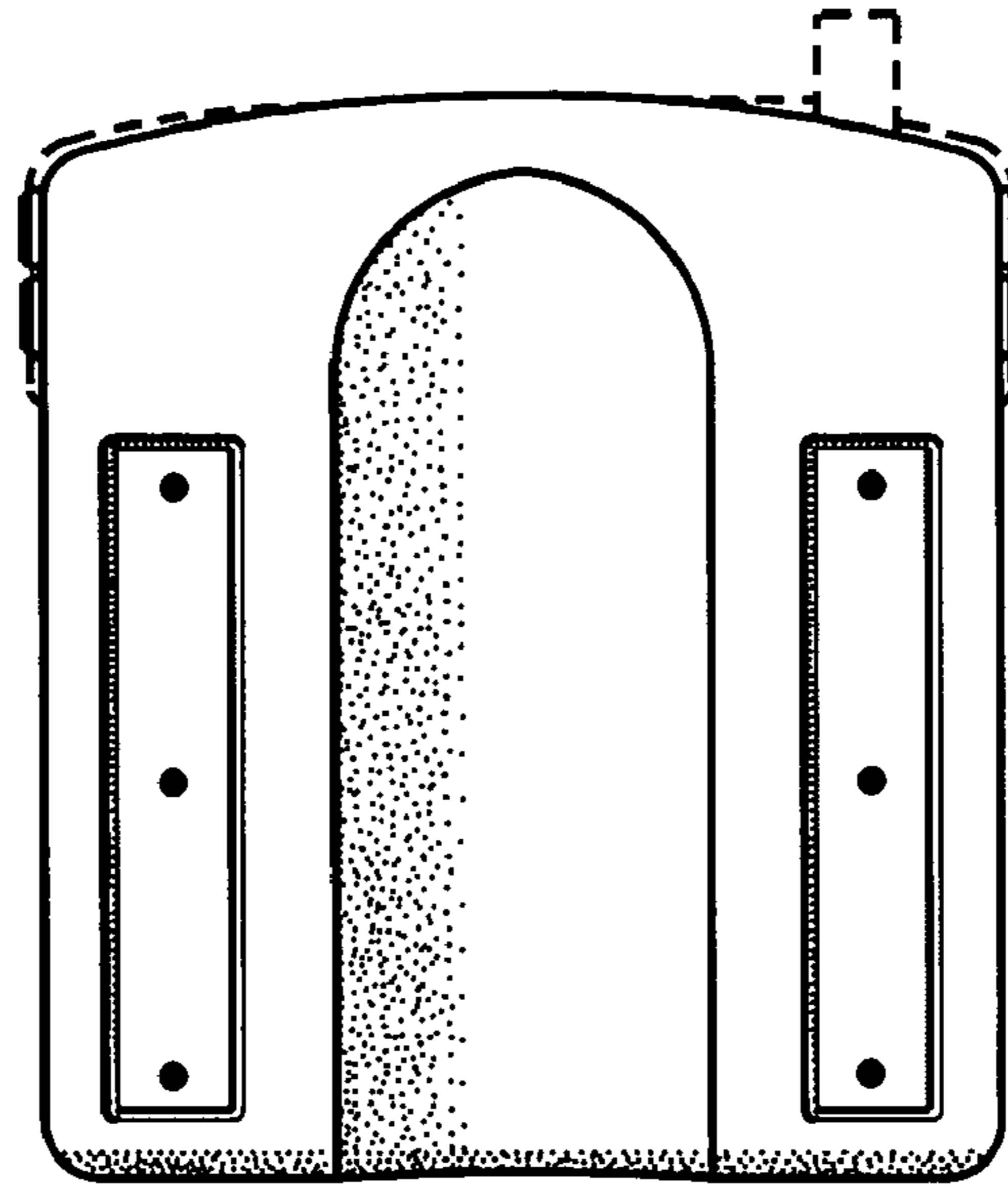


Fig. 7

