



US00D596410S

(12) **United States Design Patent**
Liu et al.

(10) **Patent No.:** **US D596,410 S**
(45) **Date of Patent:** **** Jul. 21, 2009**

(54) **MINI DIGITAL PHOTO FRAME**

Primary Examiner—Caron Veynar
Assistant Examiner—Sydney R Buffalow

(75) Inventors: **Menghua Liu**, Yantian District (CN);
Gang Liu, Yantian District (CN)

(57) **CLAIM**

(73) Assignee: **Shenzhen Act Industrial Co., Ltd.**,
Yantian District (CN)

The ornamental design for a mini digital photo frame, as shown and described.

(**) Term: **14 Years**

DESCRIPTION

(21) Appl. No.: **29/304,349**

FIG. 1 is front elevational view of a mini digital photo frame showing our new design;

(22) Filed: **Feb. 29, 2008**

FIG. 2 is a front elevational view of FIG. 1, shown separate without the frame stand for the ease of illustration;

(51) **LOC (9) Cl.** **06-07**

FIG. 3 is a rear elevational view of FIG. 2;

(52) **U.S. Cl.** **D6/309**

FIG. 4 is a left side view of FIG. 2;

(58) **Field of Classification Search** D6/300,
D6/308, 309; D10/40, 15, 30, 37, 22, 33,
D10/6; 368/10, 316; 40/700; D14/171
See application file for complete search history.

FIG. 5 is a right side view of FIG. 2;

FIG. 6 is a top plan view of FIG. 2;

FIG. 7 is a bottom plan view of FIG. 2;

(56) **References Cited**

FIG. 8 is a front elevational view of the frame stand of the mini digital photo frame, shown separate for the ease of illustration;

U.S. PATENT DOCUMENTS

FIG. 9 is a rear elevational view of FIG. 8;

D55,019 S *	5/1920	Bennet	D10/23
D276,703 S *	12/1984	Au	D10/15
D320,355 S *	10/1991	Boyer et al.	D10/30
D334,347 S *	3/1993	White	D10/37
D351,797 S *	10/1994	White	D10/15
5,761,157 A *	6/1998	Takeda et al.	368/10
D406,774 S *	3/1999	Sinisi	D10/40
D451,404 S *	12/2001	Dobashi	D10/30
D466,418 S *	12/2002	Kwok	D10/15
D476,240 S *	6/2003	Kuramochi et al.	D10/40
D483,275 S *	12/2003	Chen	D10/15
D531,061 S *	10/2006	Oas	D10/15
D564,913 S *	3/2008	Smith-Kielland et al.	D10/40

FIG. 10 is a left side view of FIG. 8;

FIG. 11 is a right side view of FIG. 8;

FIG. 12 is a top plan view of FIG. 8;

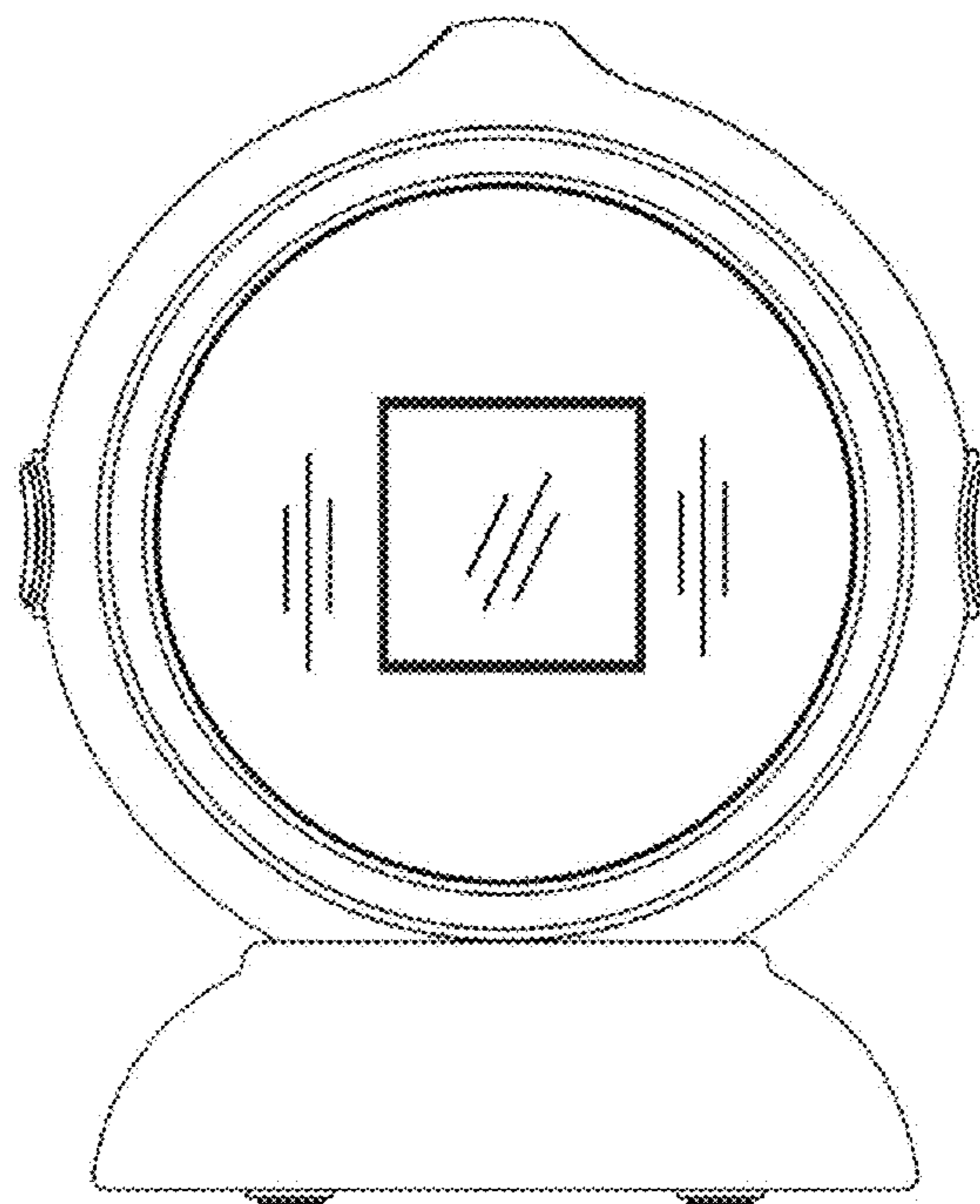
FIG. 13 bottom plan view of FIG. 8; and,

FIG. 14 is front elevational view of the frame attached to a necklace.

The dotted lines shown in FIG. 14 forms no part of the claimed design.

* cited by examiner

1 Claim, 3 Drawing Sheets



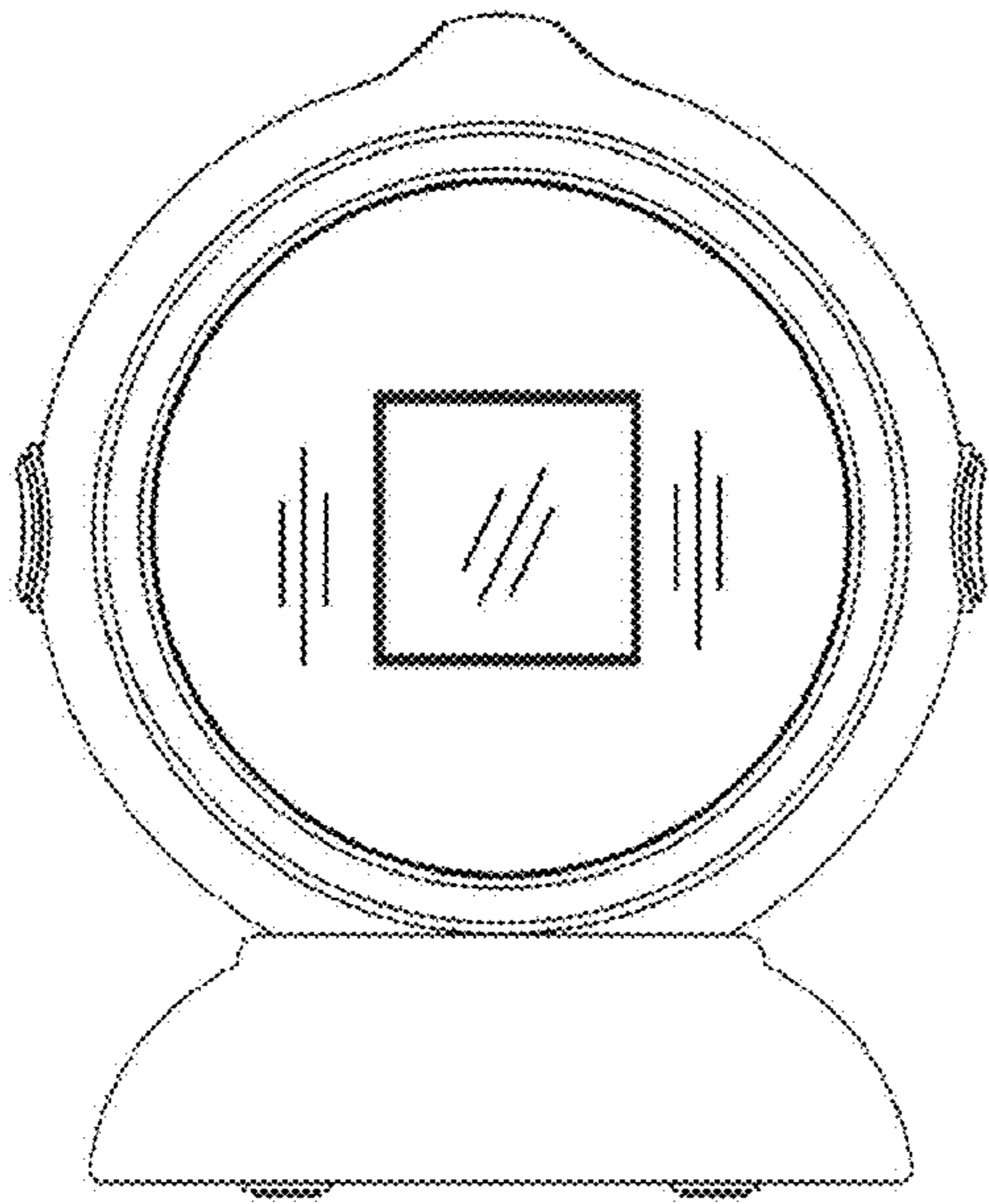


FIG. 1

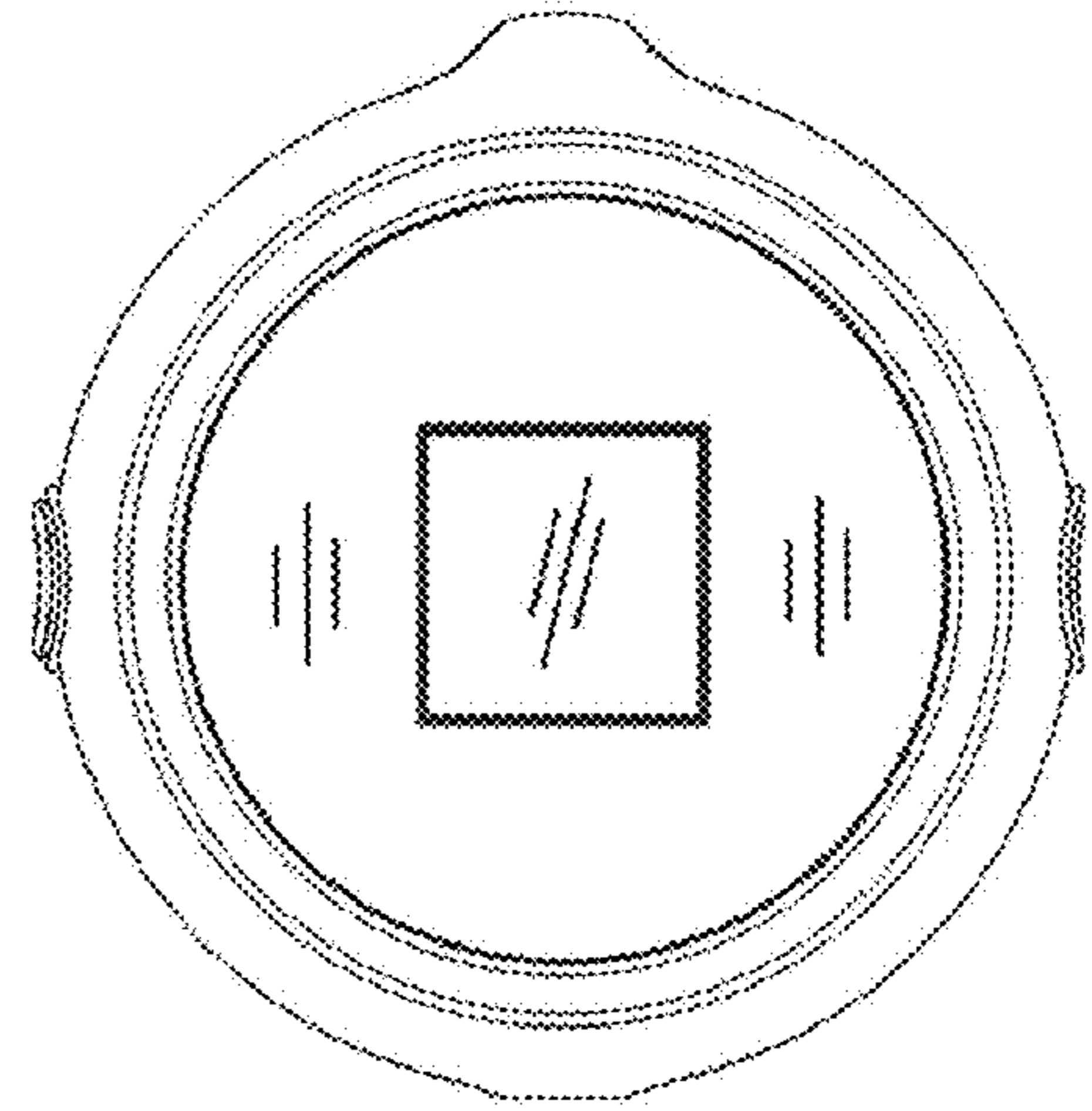


FIG. 2

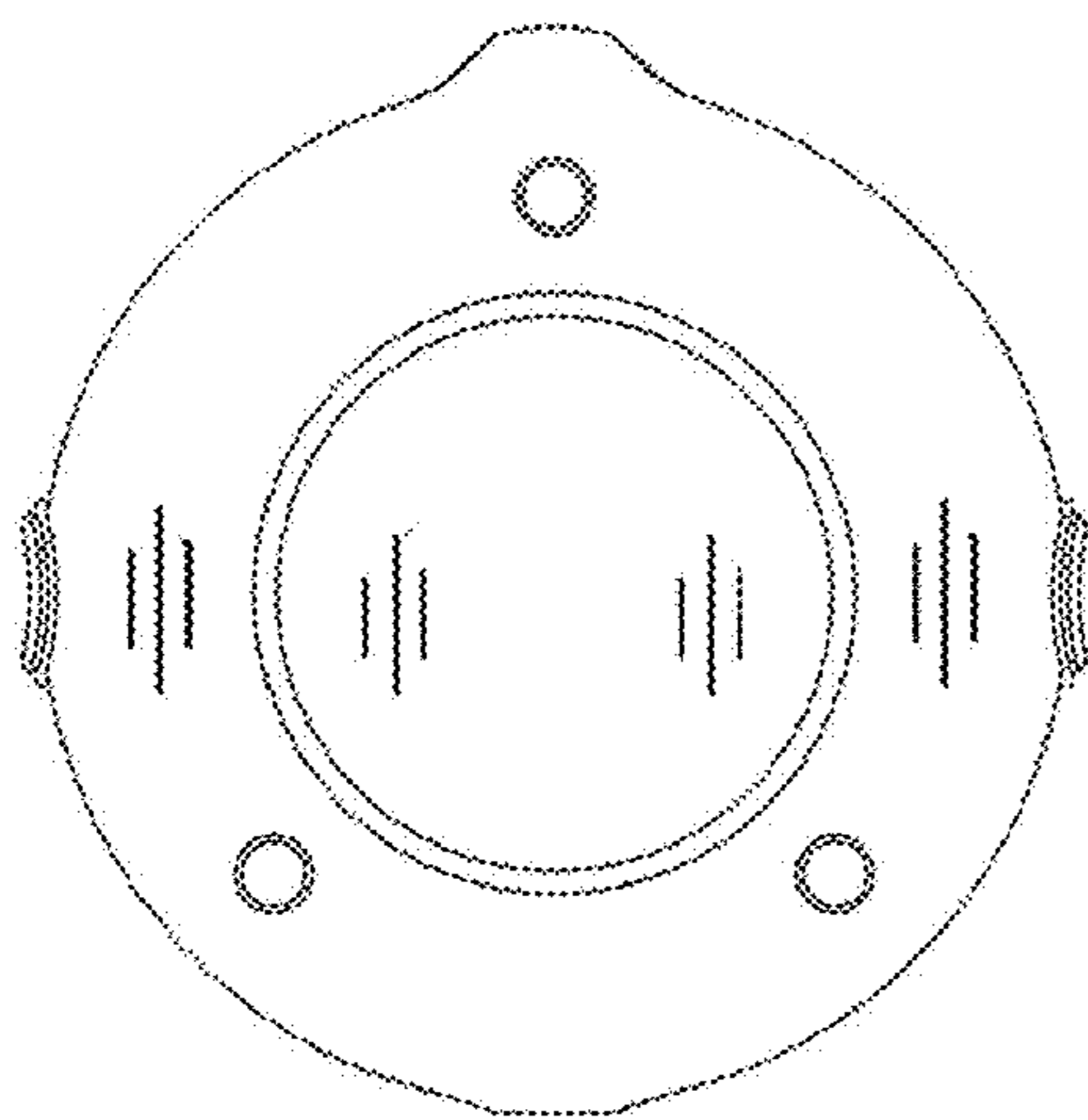


FIG. 3

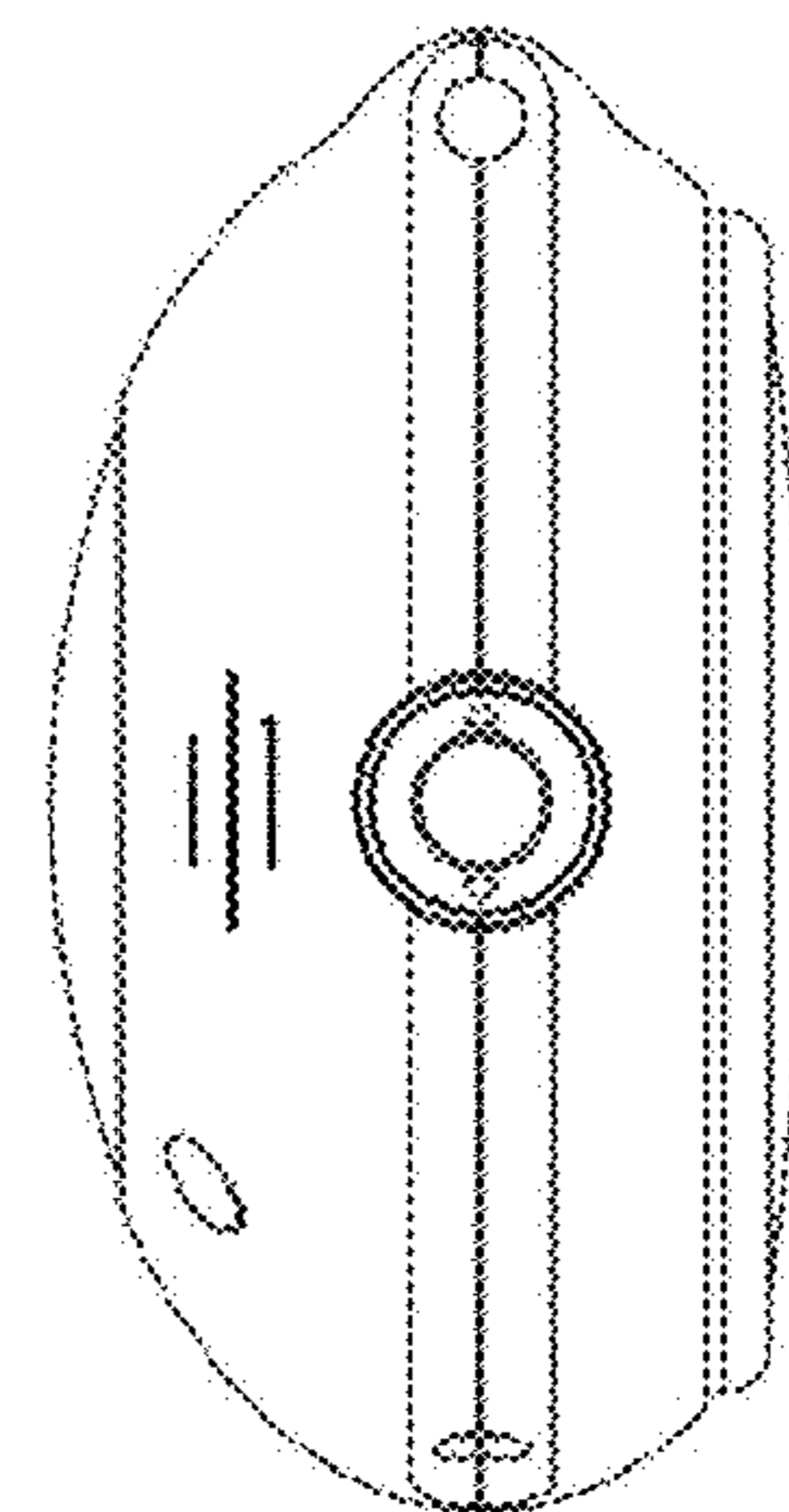


FIG. 4

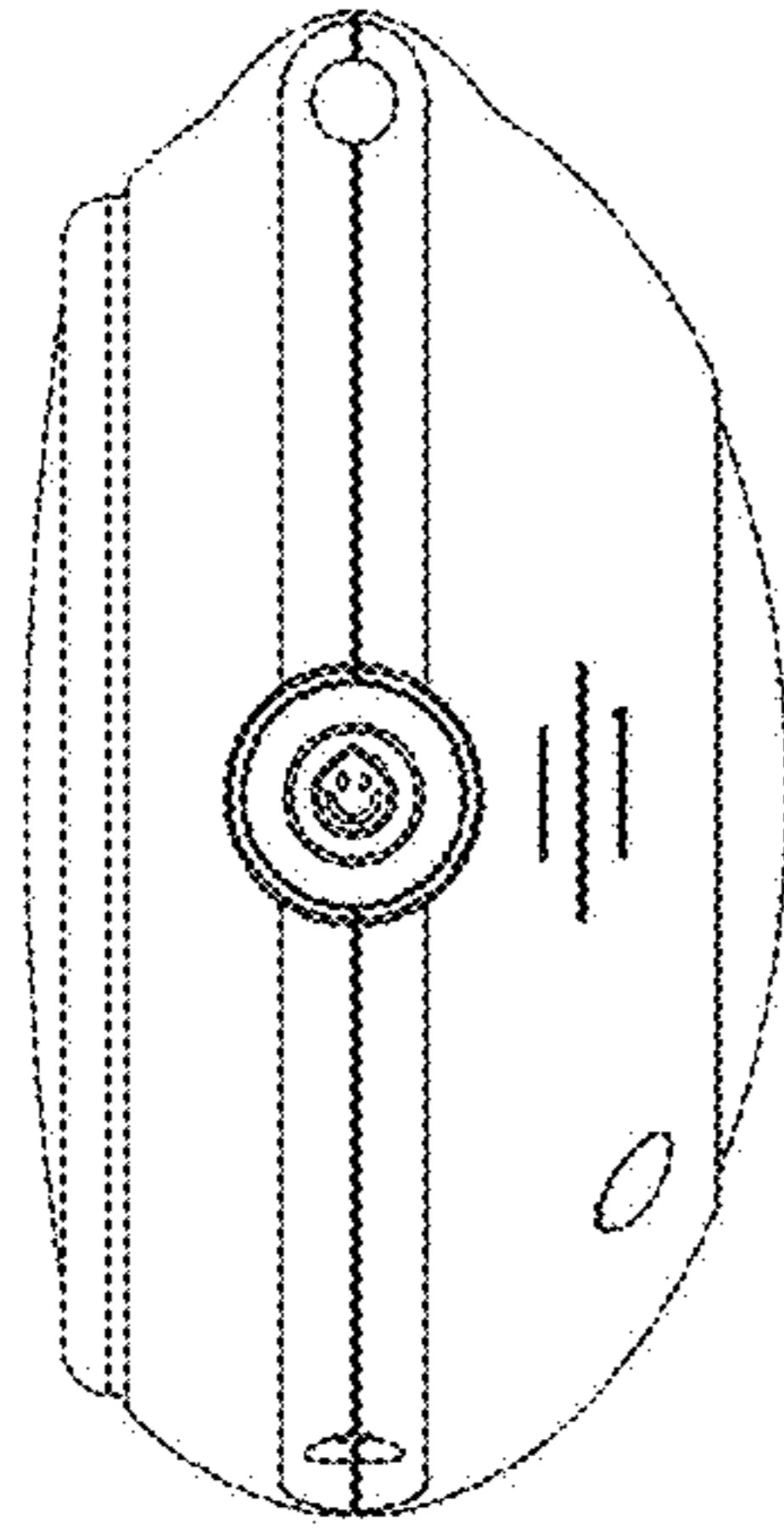


FIG. 5

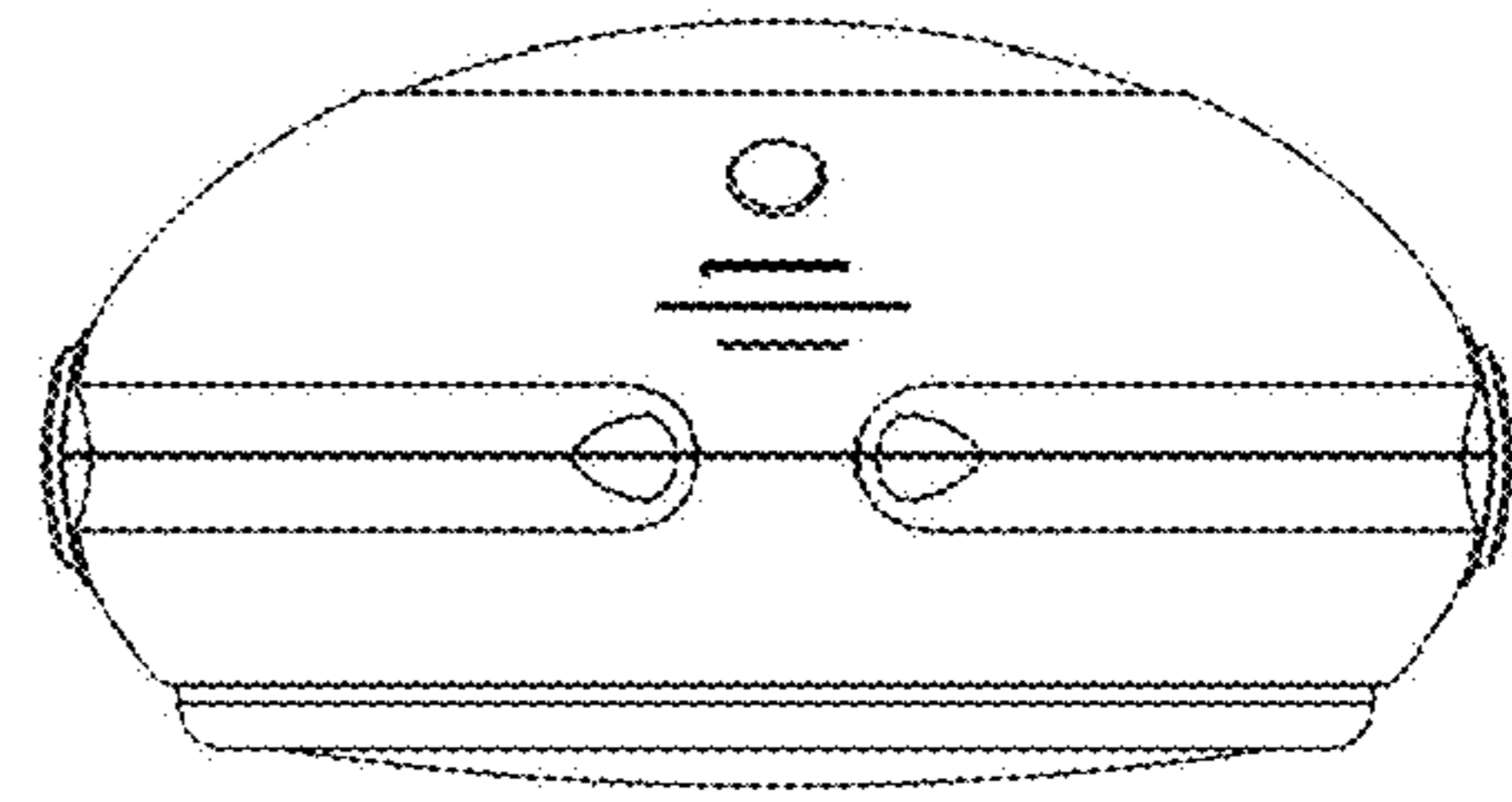


FIG. 6

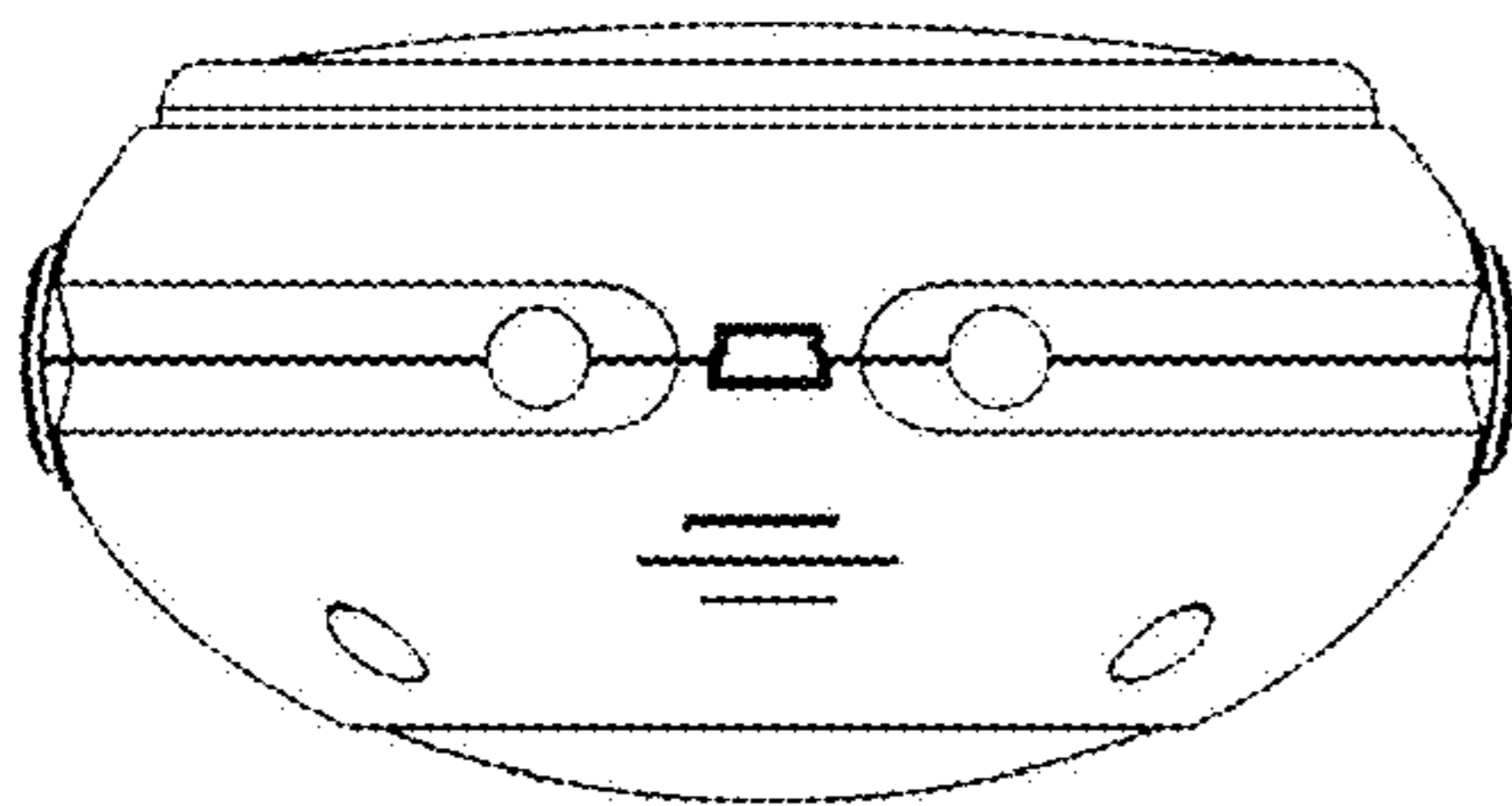


FIG. 7

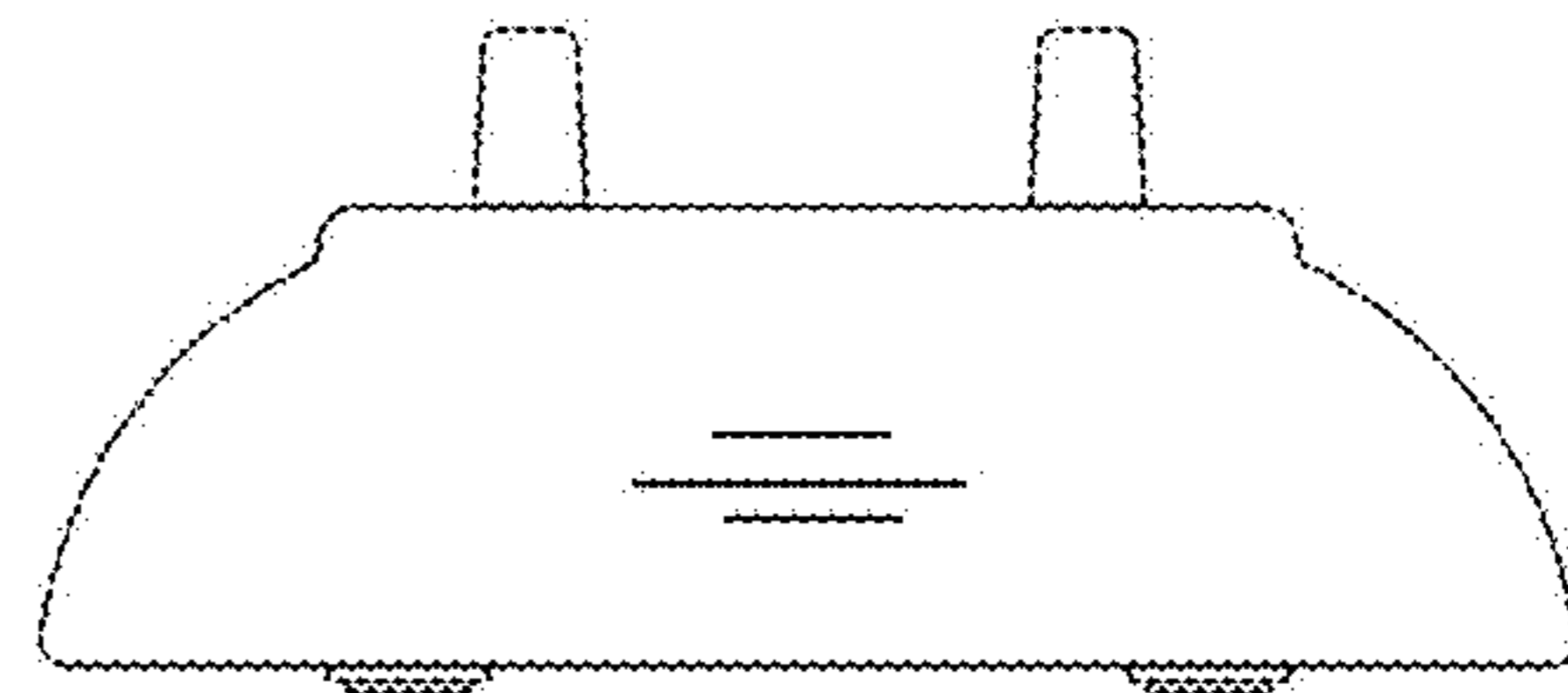


FIG. 8

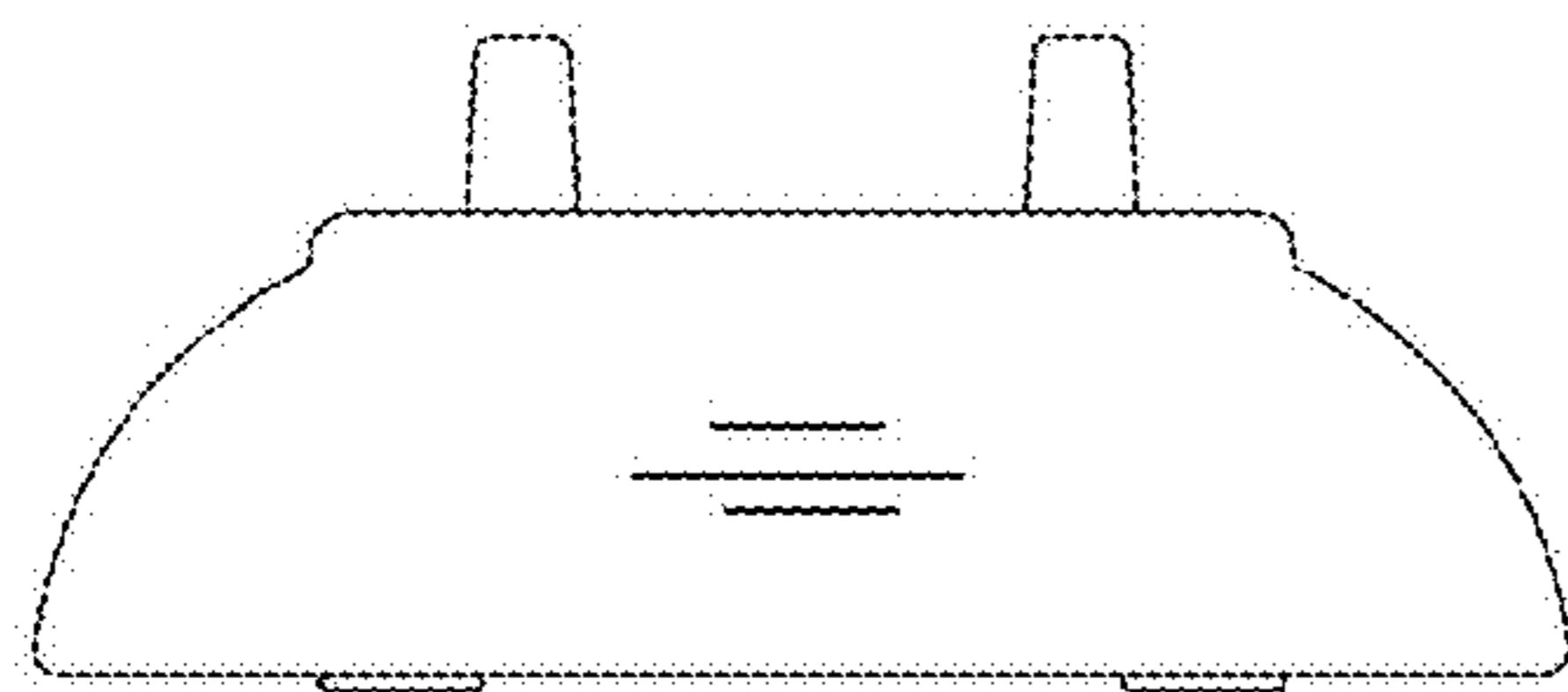


FIG. 9

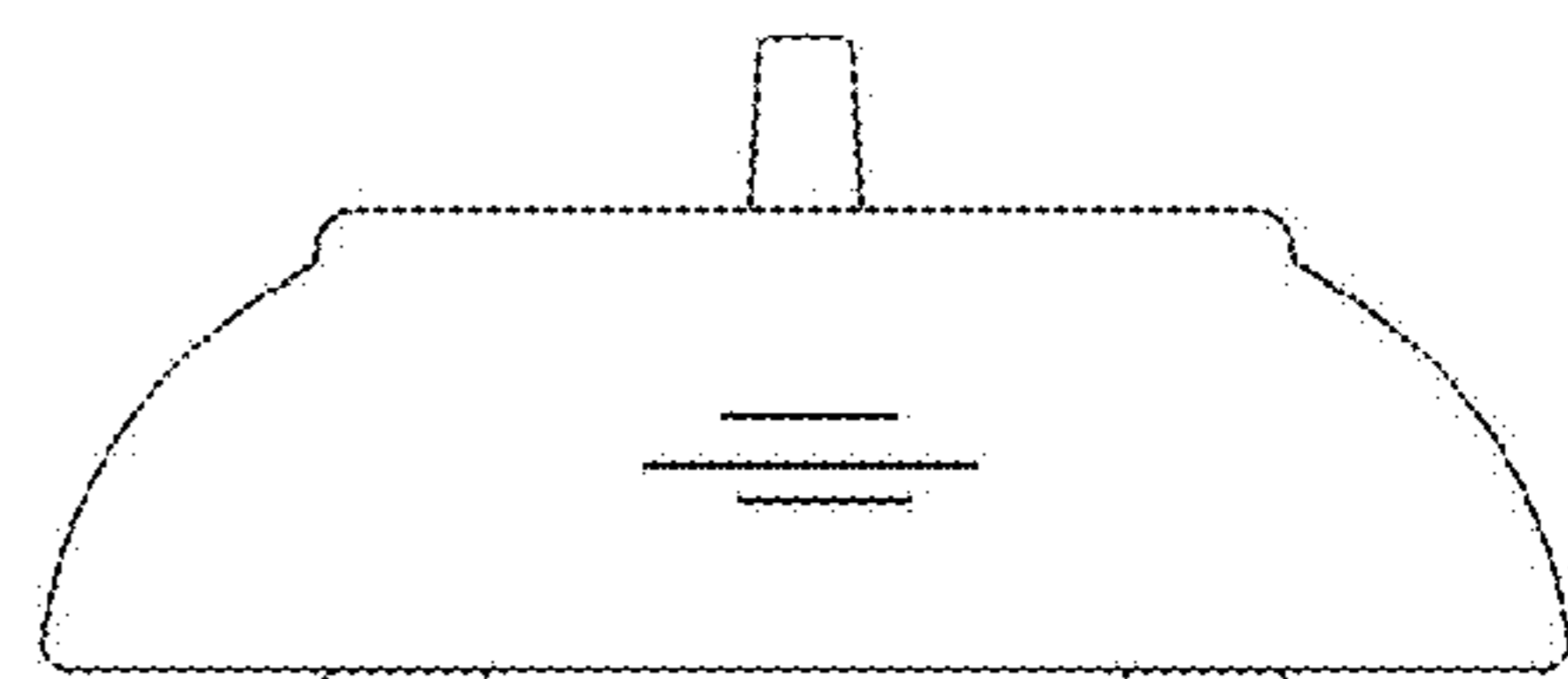


FIG. 10

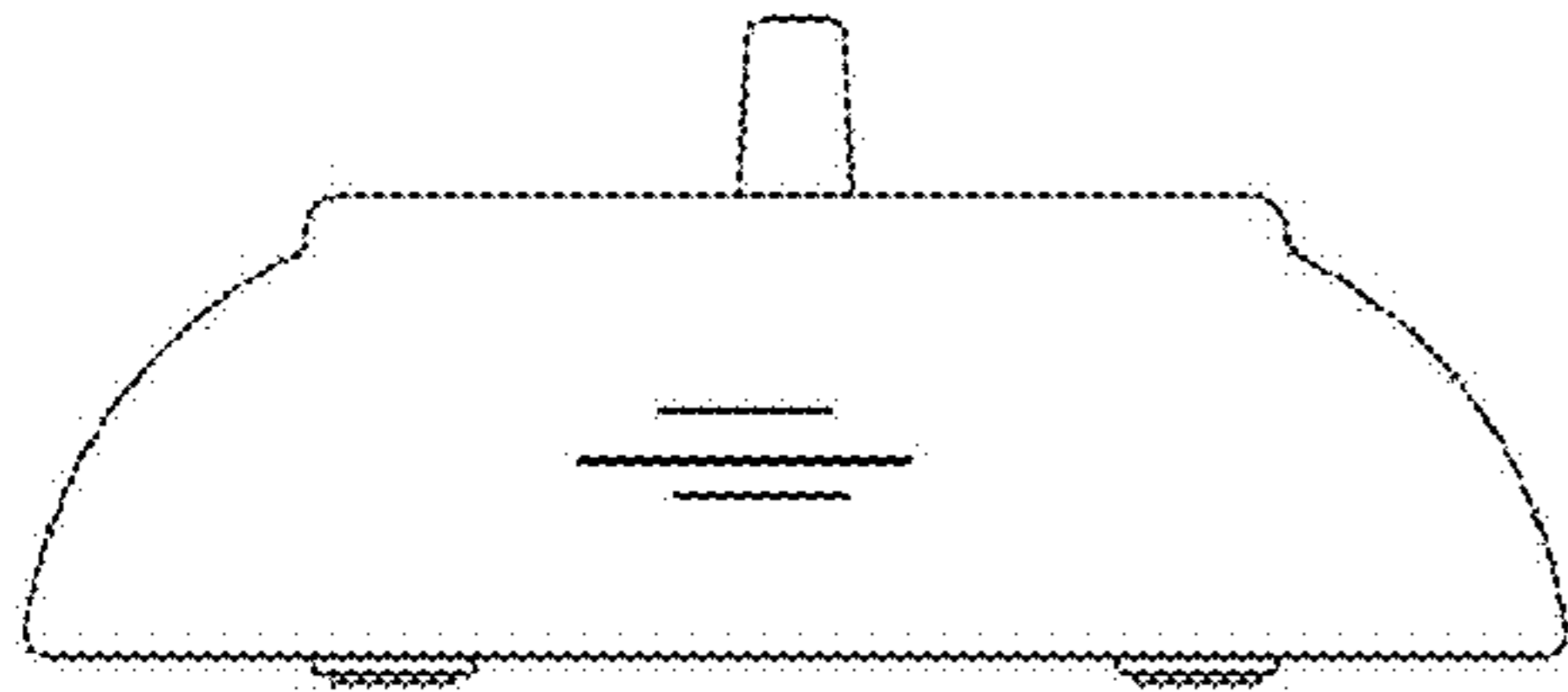


FIG. 11

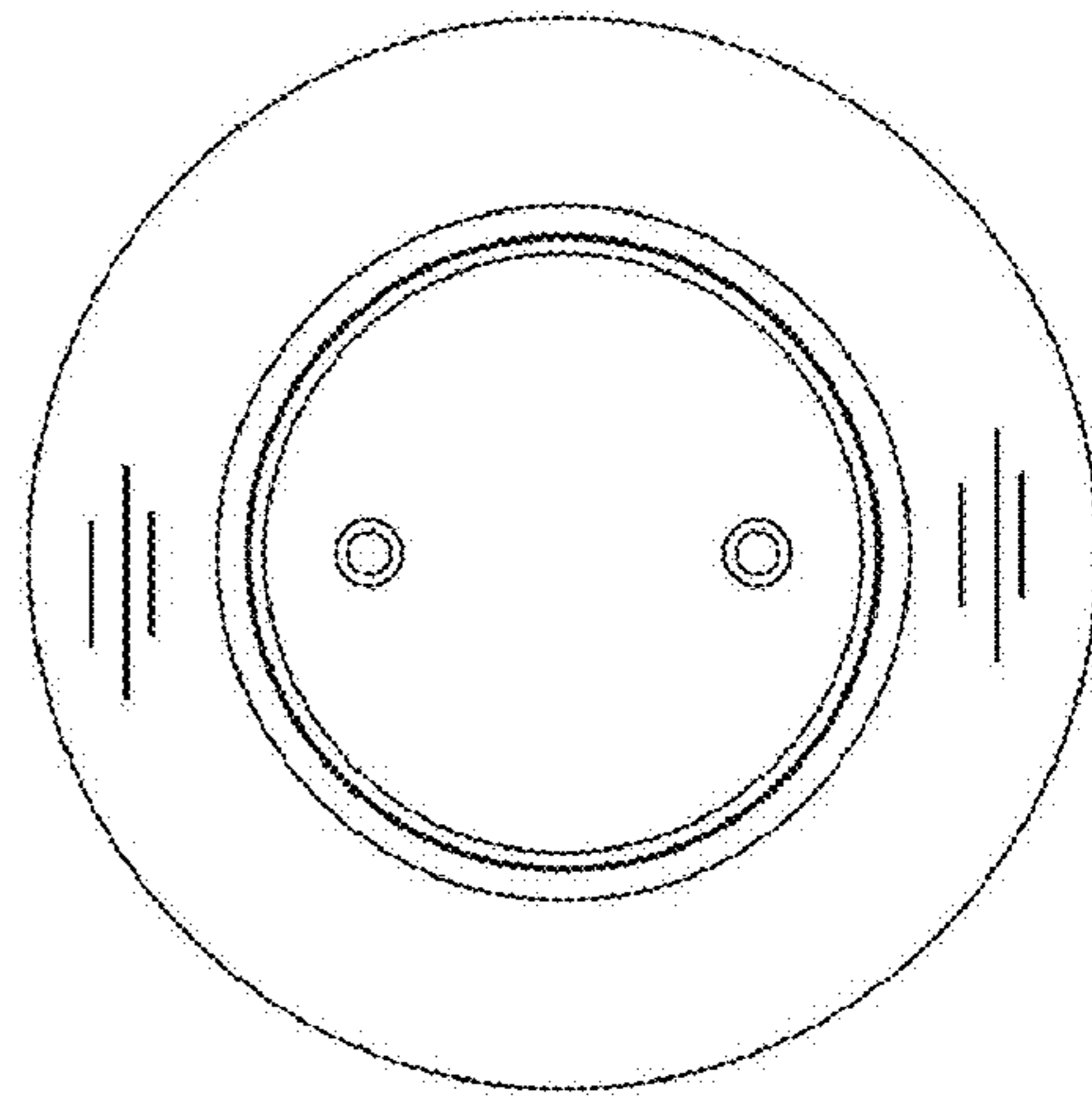


FIG. 12

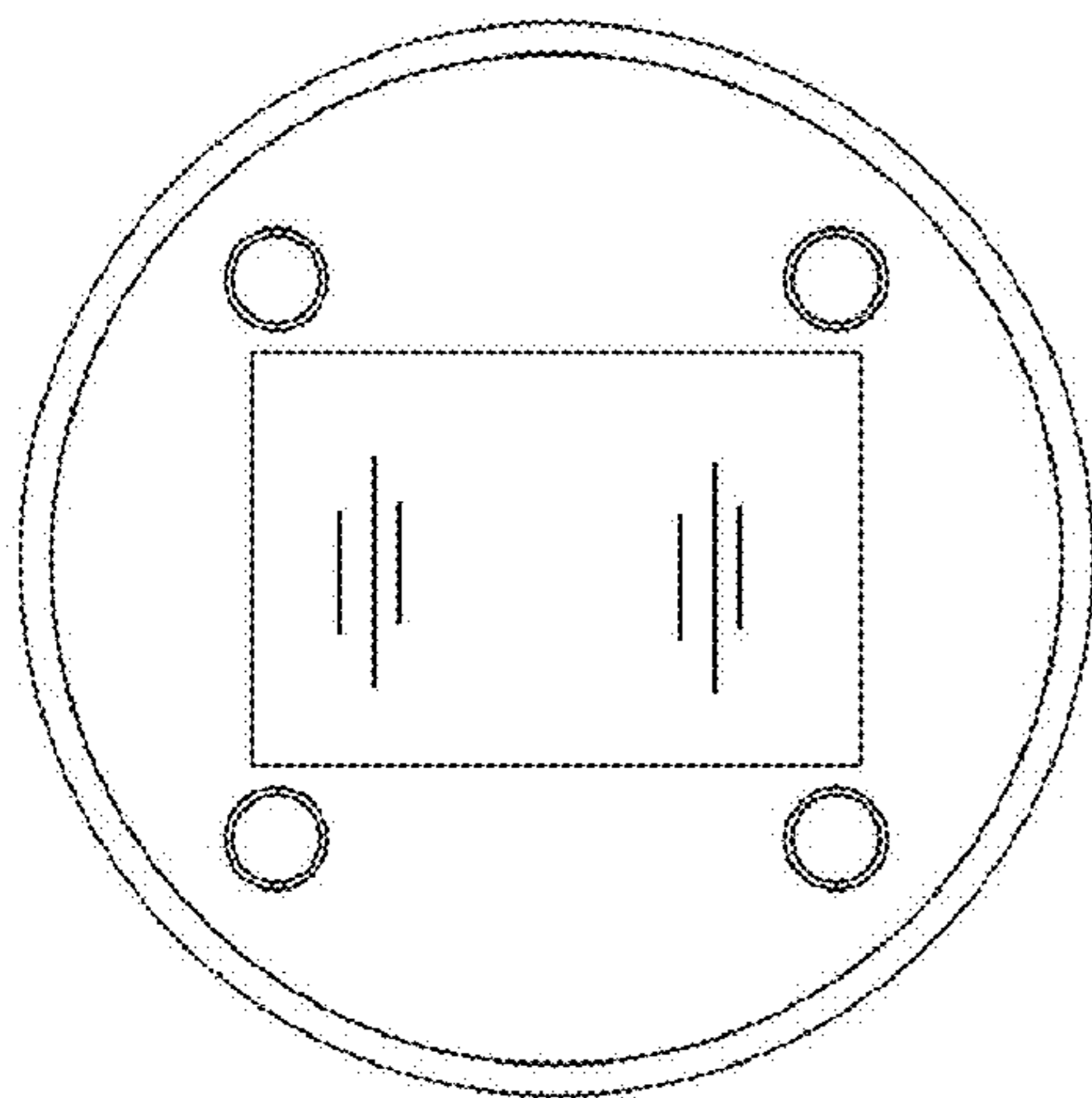


FIG. 13

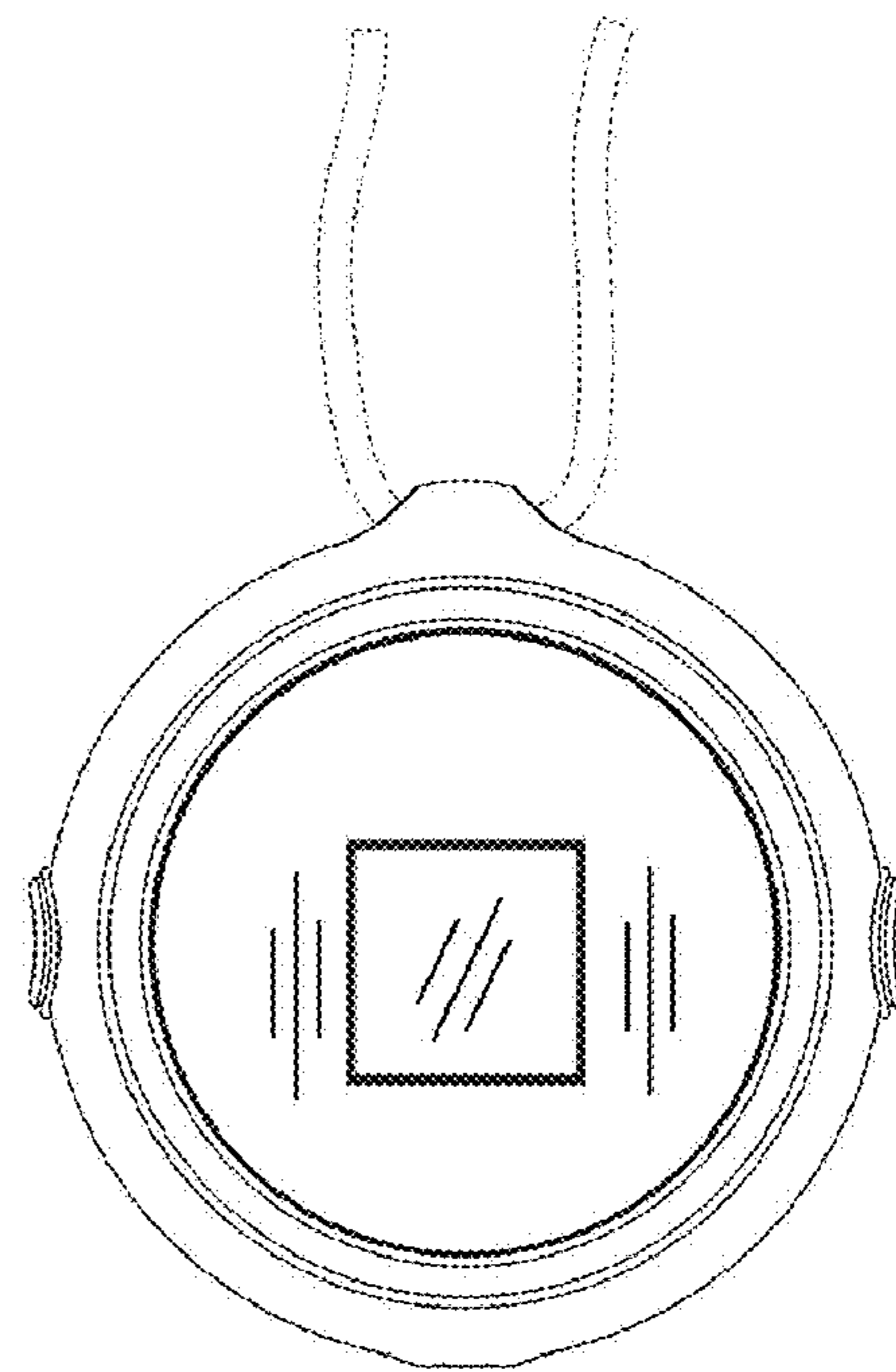


FIG. 14