



US00D596403S

(12) **United States Design Patent**  
**Chu et al.**

(10) **Patent No.:** **US D596,403 S**  
(45) **Date of Patent:** **\*\* Jul. 21, 2009**

(54) **LUGGAGE**

(74) *Attorney, Agent, or Firm*—Baker Botts L.L.P.

(75) Inventors: **David Ching Chi Chu**, New York, NY (US); **Victor Sanz**, Whitehouse Station, NJ (US); **Paul Victor Scicluna**, Pennel, PA (US)

(57) **CLAIM**

The ornamental design for luggage, as shown and described.

(73) Assignee: **Tumi, Inc.**, South Plainfield, NJ (US)

**DESCRIPTION**

(\*\*) Term: **14 Years**

(21) Appl. No.: **29/317,924**

(22) Filed: **May 9, 2008**

(51) **LOC (9) Cl.** ..... **03-01**

(52) **U.S. Cl.** ..... **D3/322**

(58) **Field of Classification Search** ..... D3/321,  
D3/322, 276, 277, 278, 279, 283, 284, 285,  
D3/286, 318, 902; 190/18 A, 100, 103, 109,  
190/110, 111, 112, 115, 119, 120, 122, 124  
See application file for complete search history.

FIG. 1 is a perspective view of a first embodiment of the luggage.

FIG. 2 is a front view of the embodiment of FIG. 1.

FIG. 3 is a rear view of the embodiment of FIG. 1.

FIG. 4 is a right side view of the embodiment of FIG. 1.

FIG. 5 is a left side view of the embodiment of FIG. 1.

FIG. 6 is a top view of the embodiment of FIG. 1.

FIG. 7 is a bottom view of the embodiment of FIG. 1.

FIG. 8 is a perspective view of a second embodiment of the luggage.

FIG. 9 is a front view of the embodiment of FIG. 8.

FIG. 10 is a rear view of the embodiment of FIG. 8.

FIG. 11 is a right side view of the embodiment of FIG. 8.

FIG. 12 is a left side view of the embodiment of FIG. 8.

FIG. 13 is a top view of the embodiment of FIG. 8.

FIG. 14 is a bottom view of the embodiment of FIG. 8.

FIG. 15 is a perspective view of a third embodiment of the luggage.

FIG. 16 is a front view of the embodiment of FIG. 15.

FIG. 17 is a rear view of the embodiment of FIG. 15.

FIG. 18 is a right side view of the embodiment of FIG. 15.

FIG. 19 is a left side view of the embodiment of FIG. 15.

FIG. 20 is a top view of the embodiment of FIG. 15; and,

FIG. 21 is a bottom view of the embodiment of FIG. 15.

The broken lines are provided for illustrative purposes only and form no part of the claimed design.

(56) **References Cited**

**U.S. PATENT DOCUMENTS**

D385,115 S *	10/1997	Earl et al.	.....	D3/321
D440,764 S *	4/2001	Cheng	.....	D3/279
D444,946 S *	7/2001	Klamm	.....	D3/279
D460,618 S *	7/2002	Szyf	.....	D3/279
6,431,334 B1 *	8/2002	Lin	.....	190/120
D474,597 S *	5/2003	Nykoluk	.....	D3/279
D494,364 S *	8/2004	Burgess et al.	.....	D3/279
D498,055 S *	11/2004	Fenton	.....	D3/321
D498,056 S *	11/2004	Moon	.....	D3/321
D507,113 S *	7/2005	Nykoluk	.....	D3/321
D515,814 S *	2/2006	Fenton et al.	.....	D3/321
D531,411 S *	11/2006	Fenton et al.	.....	D3/321
D540,036 S *	4/2007	Newson	.....	D3/279
D547,065 S *	7/2007	Fenton et al.	.....	D3/321
D554,862 S *	11/2007	Hsieh	.....	D3/279

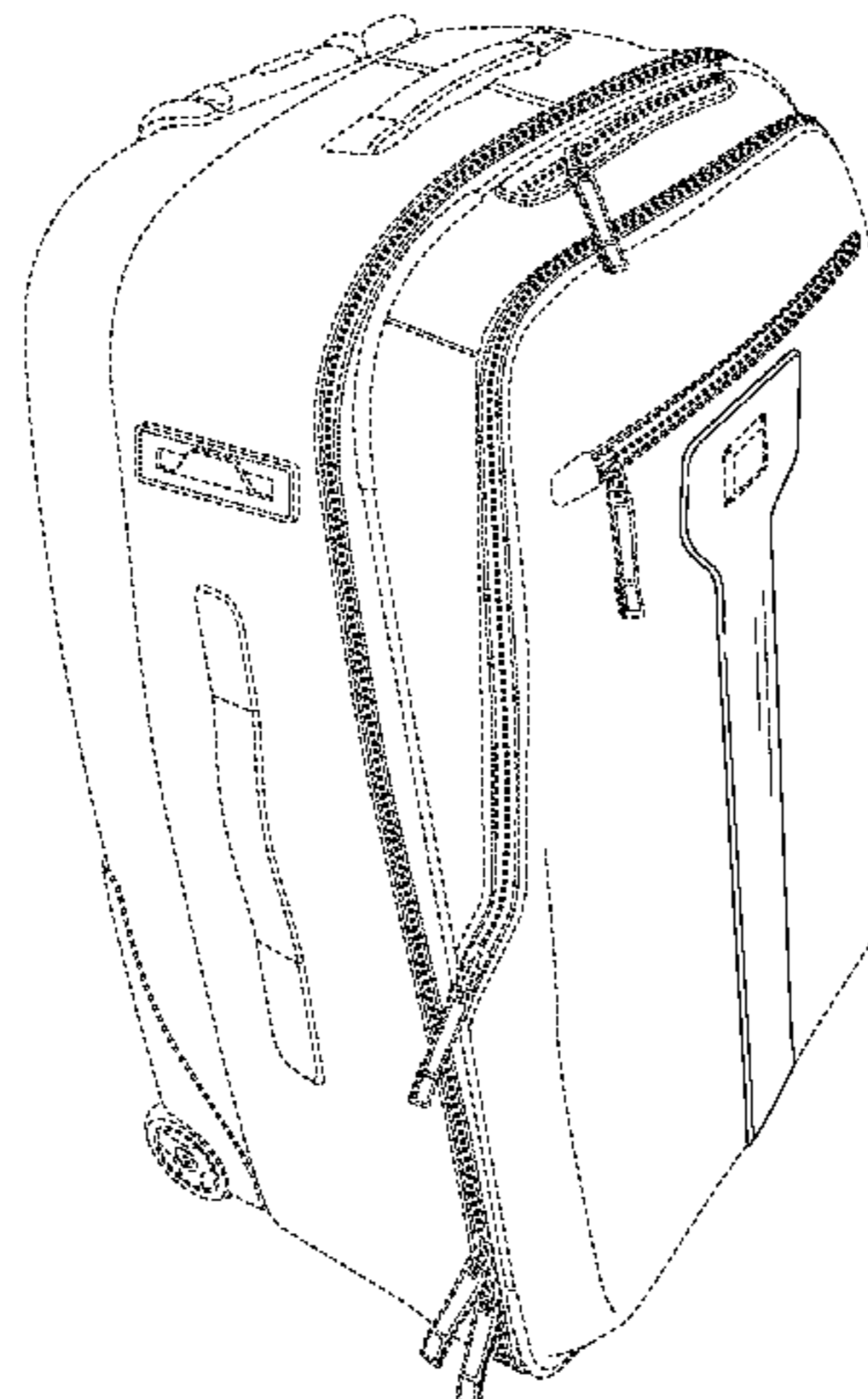
**OTHER PUBLICATIONS**

Tumi “design in motion” product catalog from 1999.

*Primary Examiner*—Holly H Baynham

*Assistant Examiner*—Sheryl Lane

**1 Claim, 21 Drawing Sheets**



OTHER PUBLICATIONS

First Tumi product catalog from 2001.  
Second Tumi product catalog from 2001.

Tumi Business Collections product brochure (1999-2001).  
Tumi Travel Collections product brochure (1999-2001).

\* cited by examiner



FIG. 1

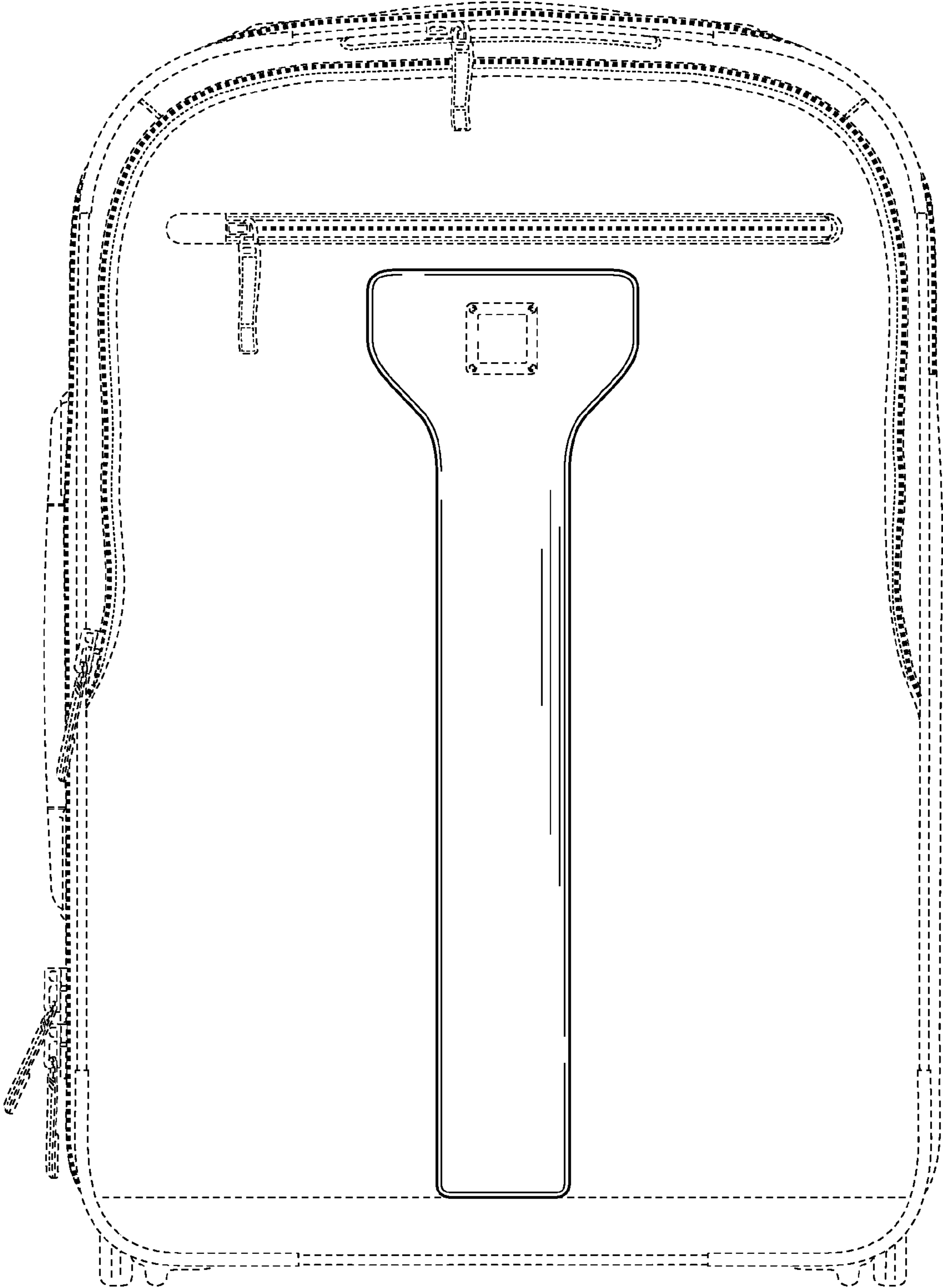


FIG. 2





FIG. 3

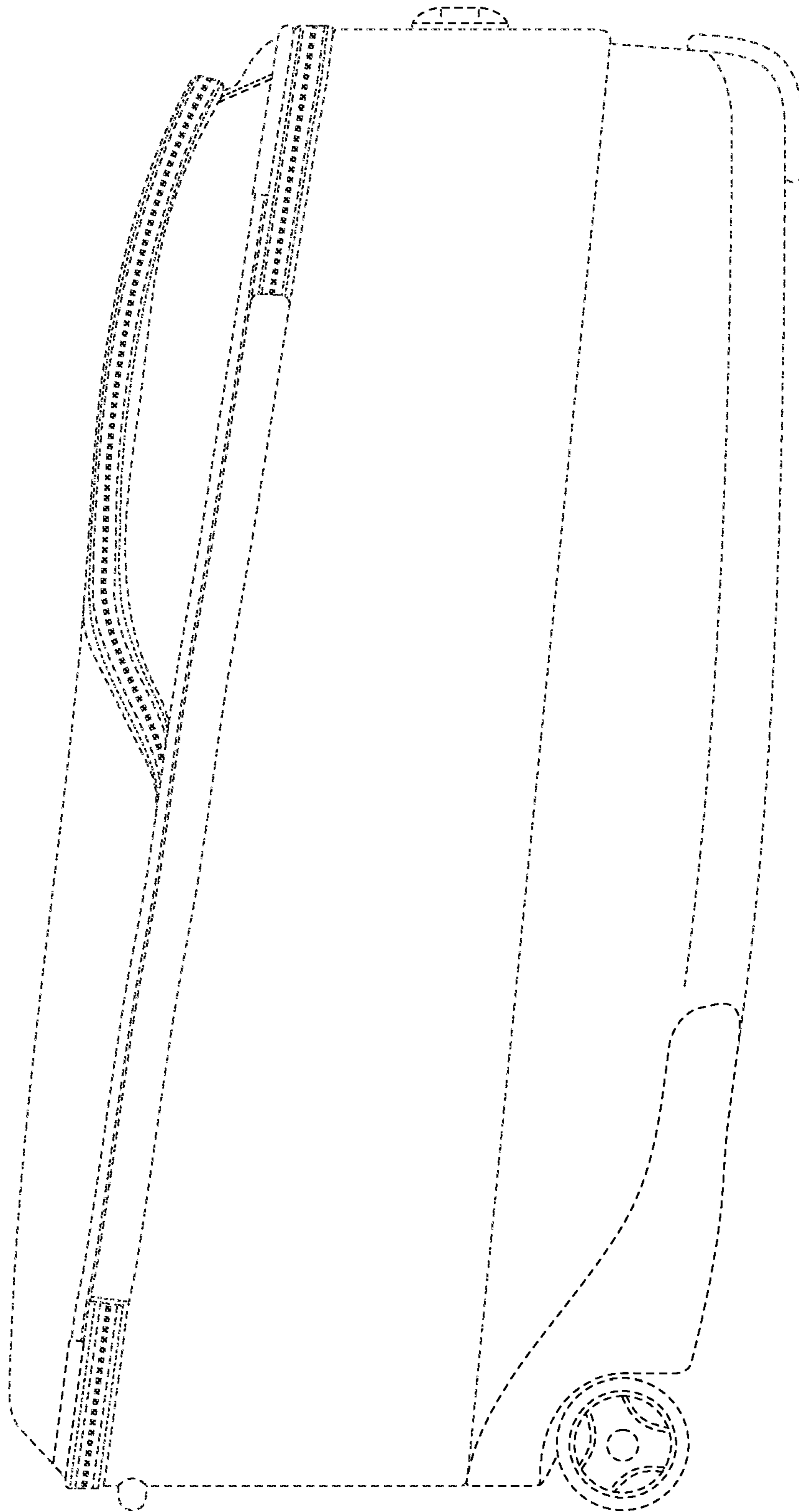


FIG. 4

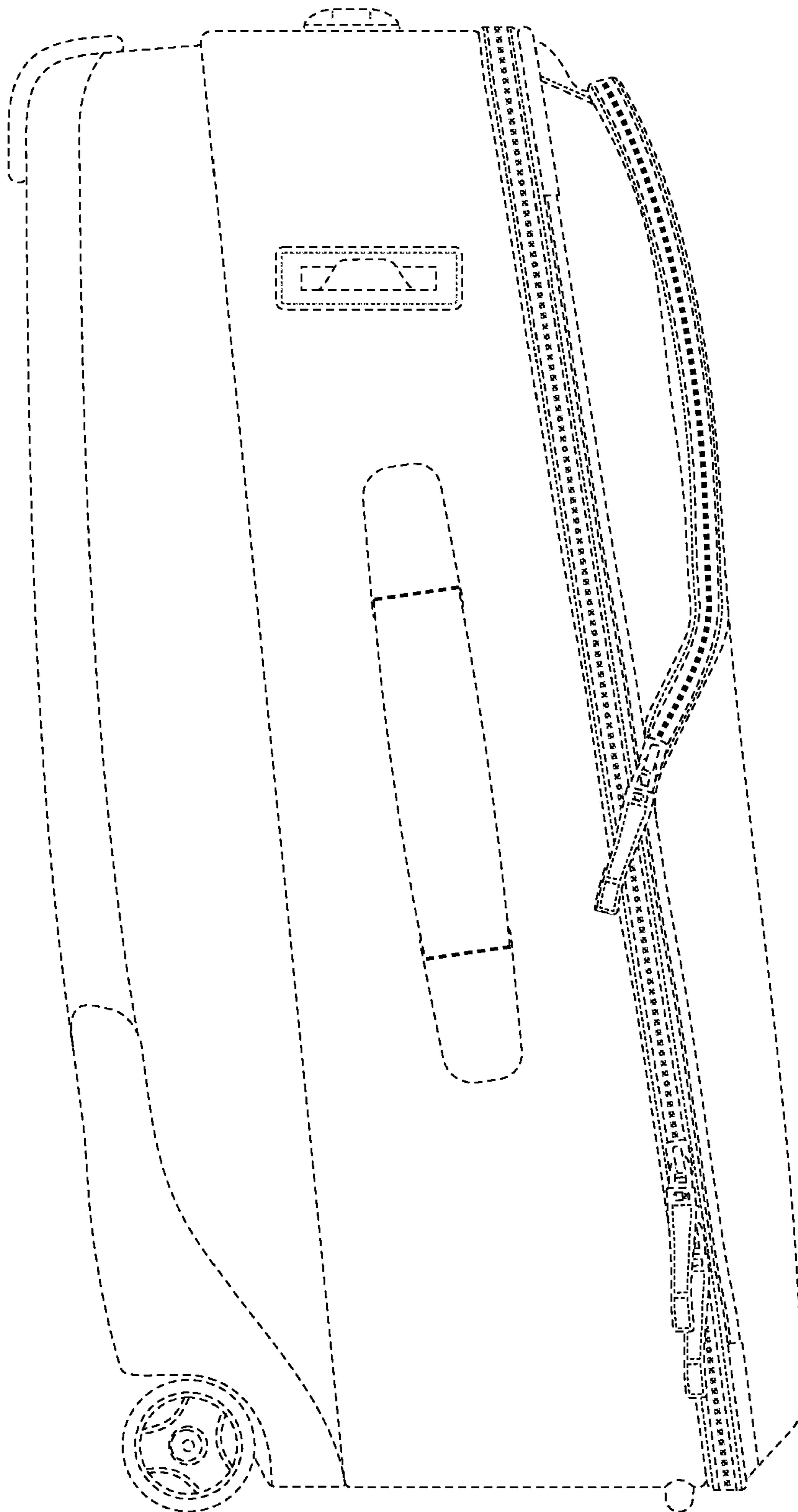


FIG. 5

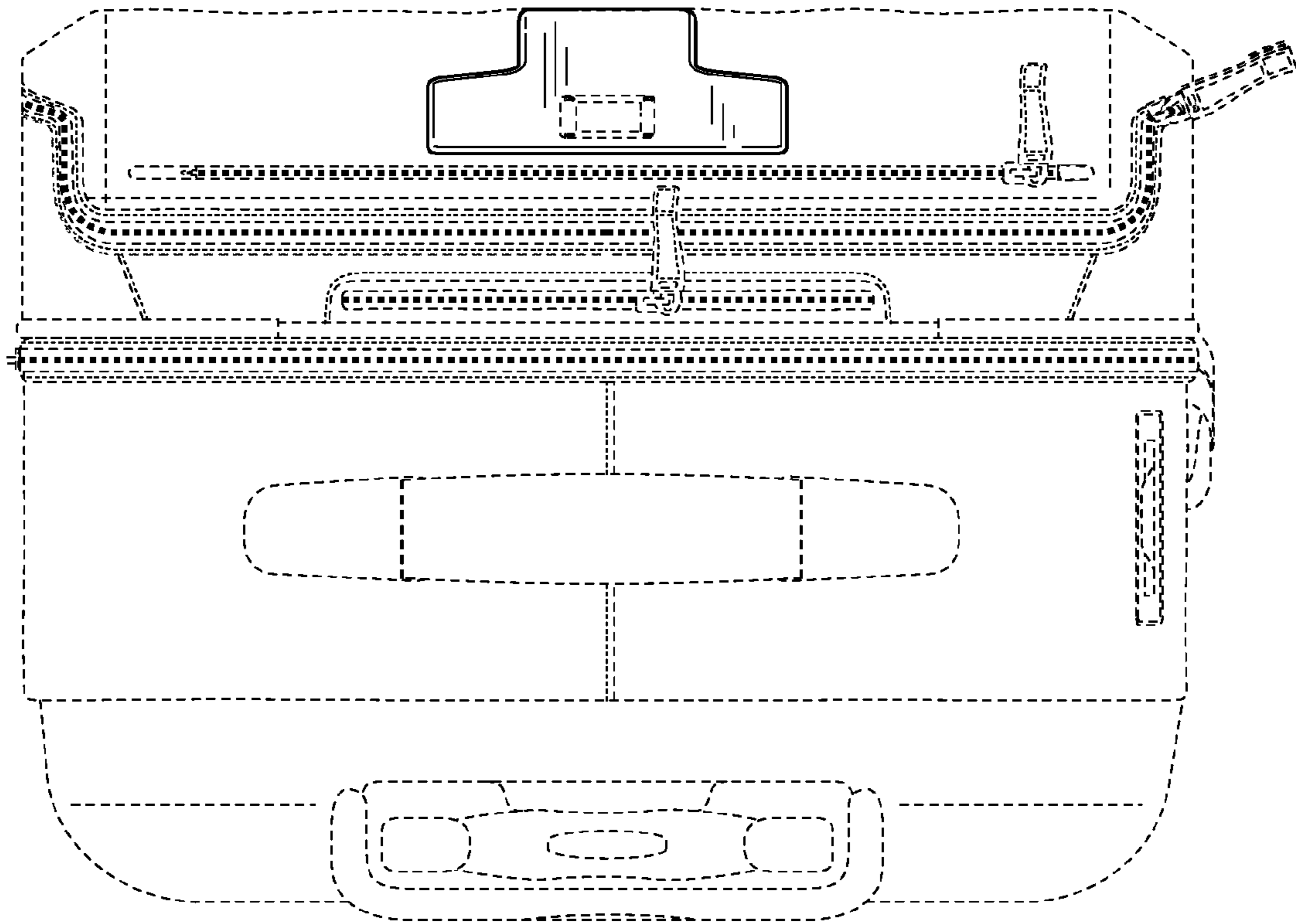


FIG. 6



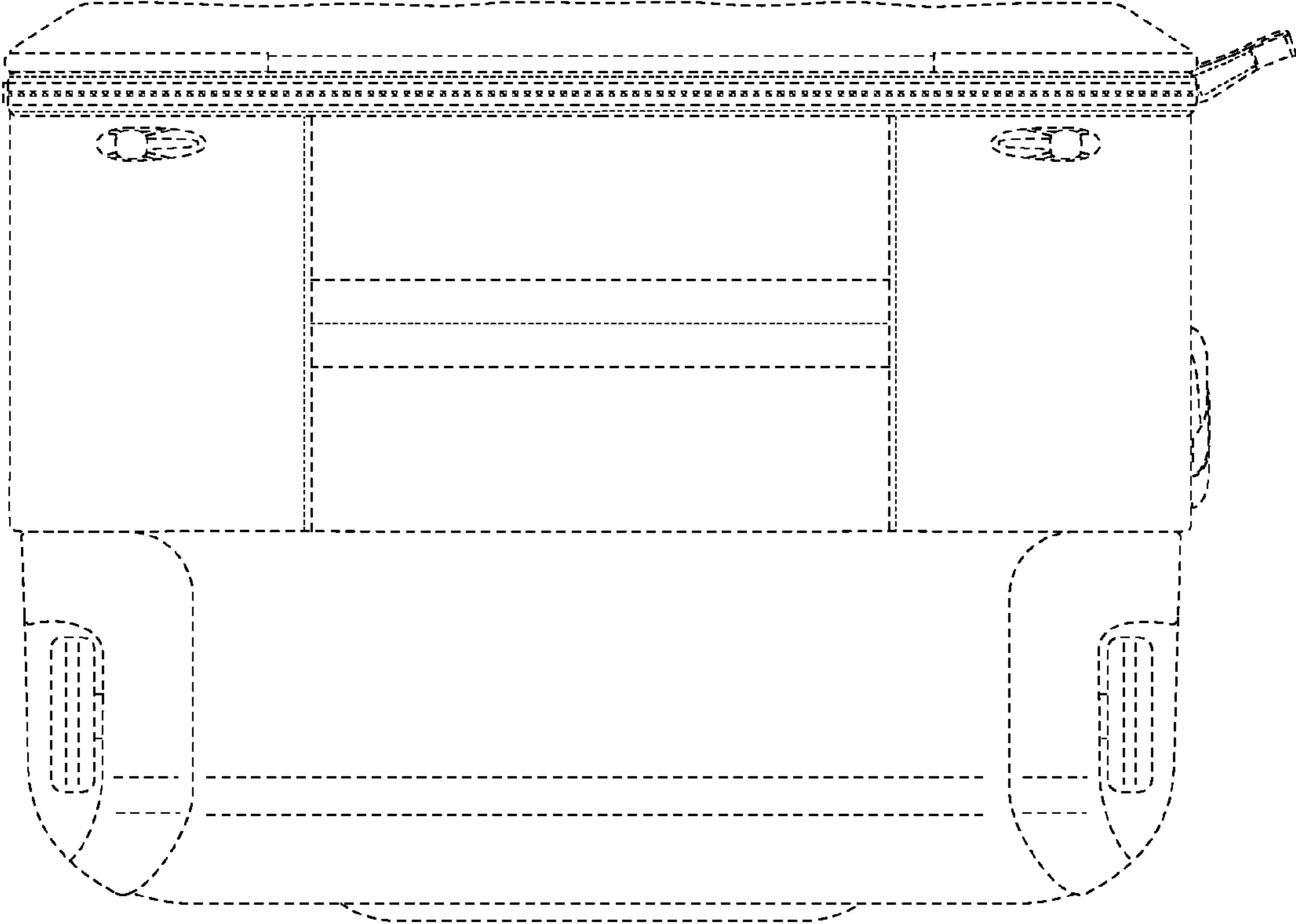


FIG. 7



FIG. 8

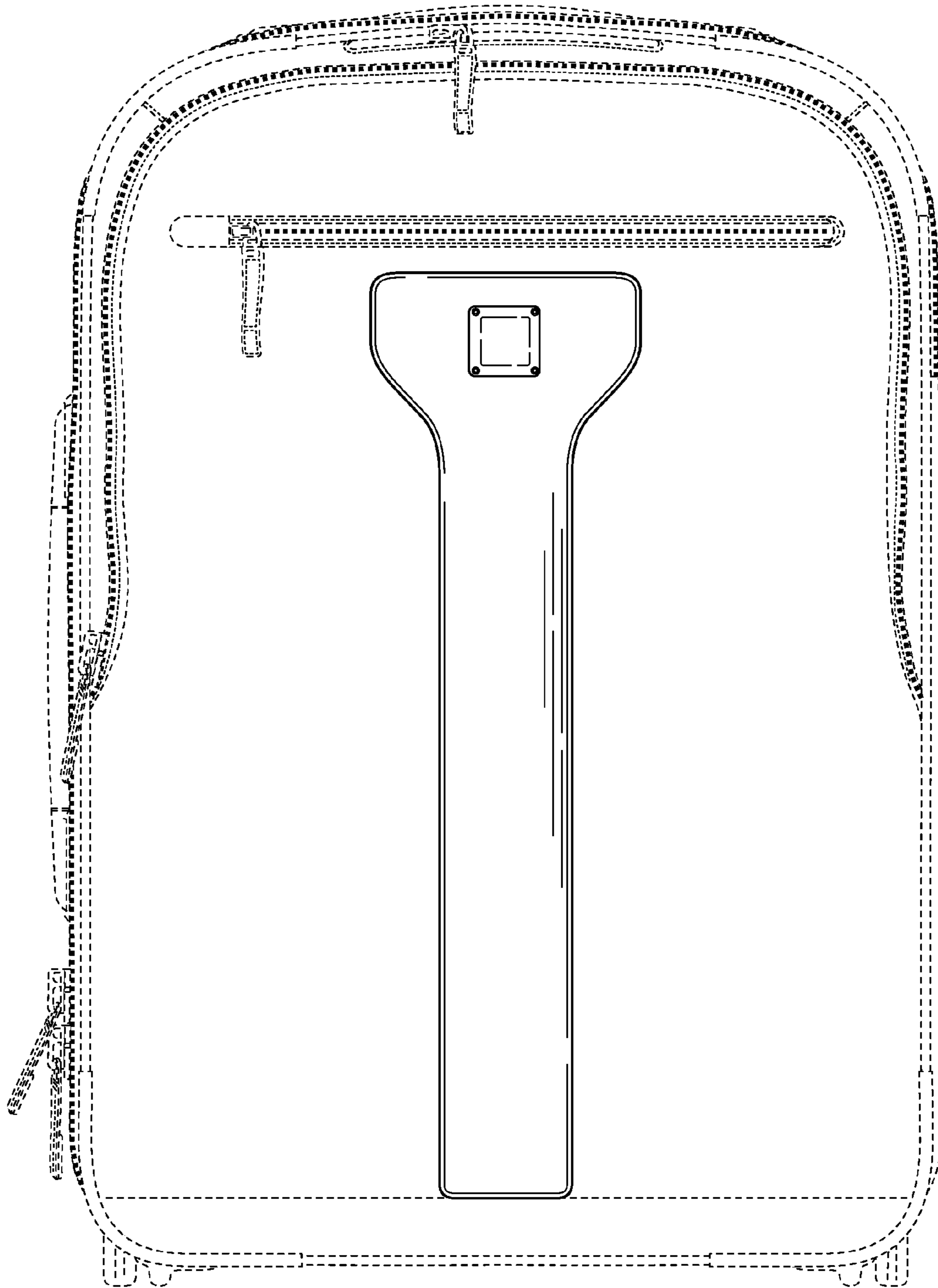


FIG. 9



FIG. 10

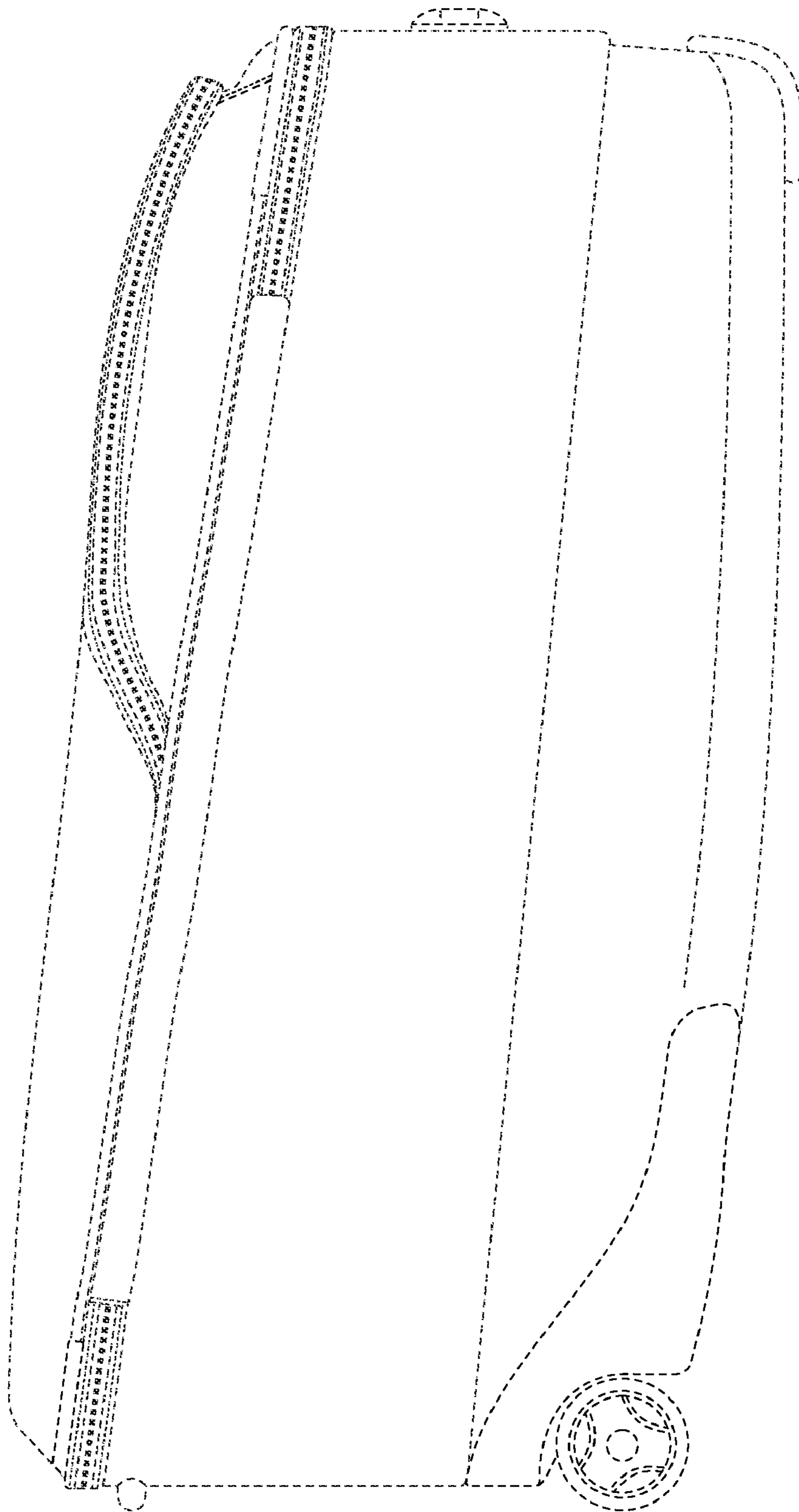


FIG. 11



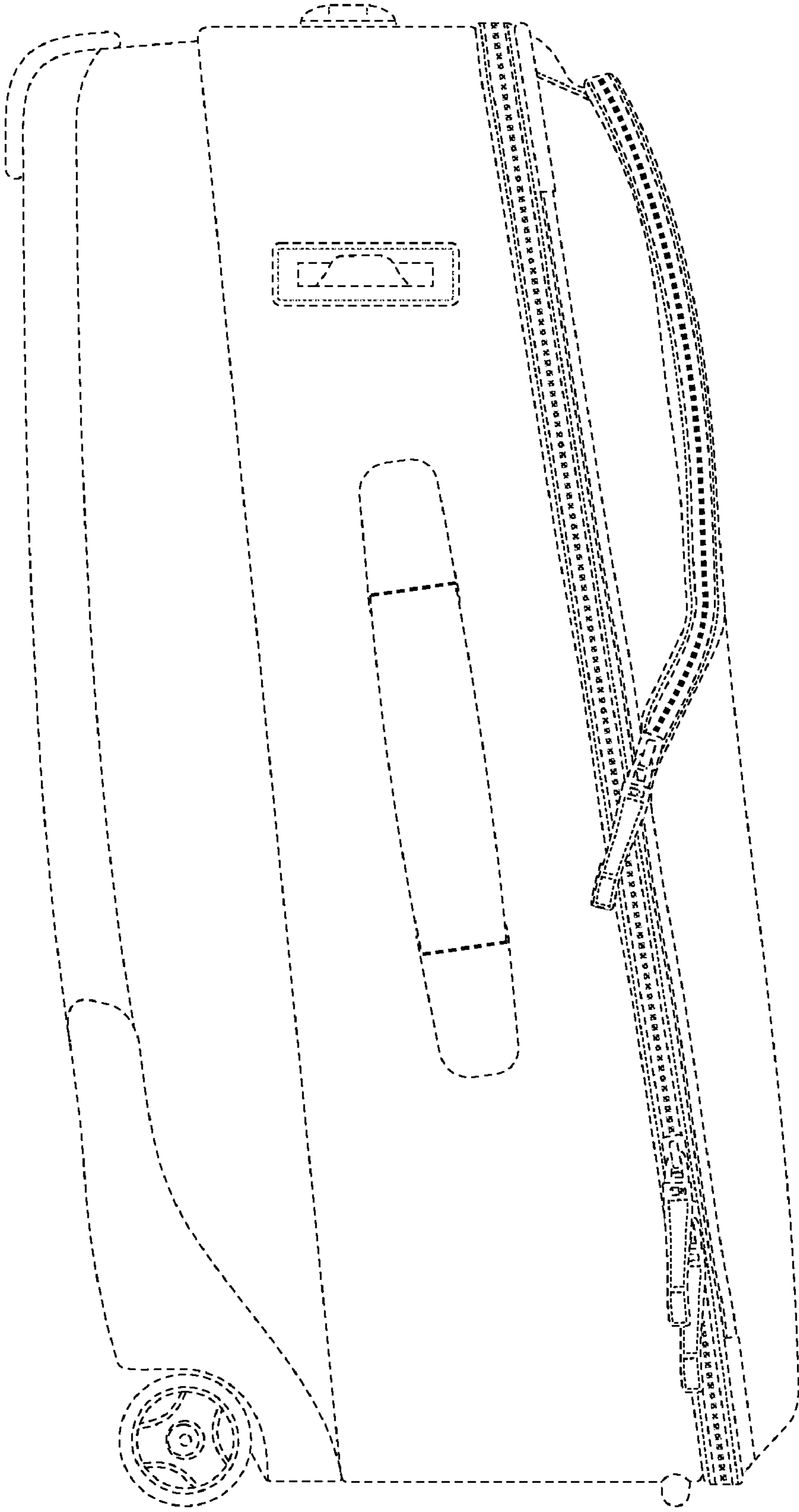


FIG. 12

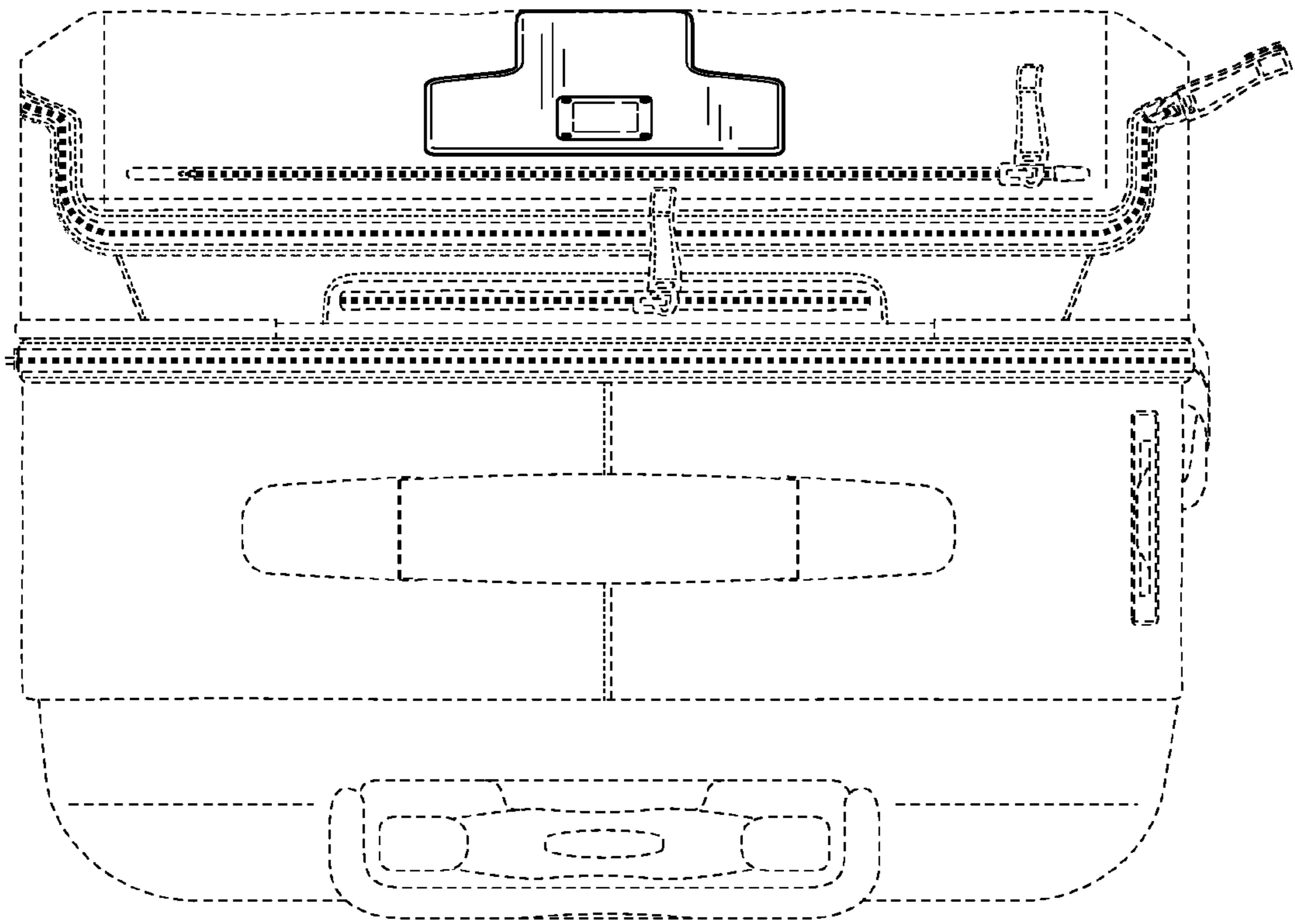


FIG. 13

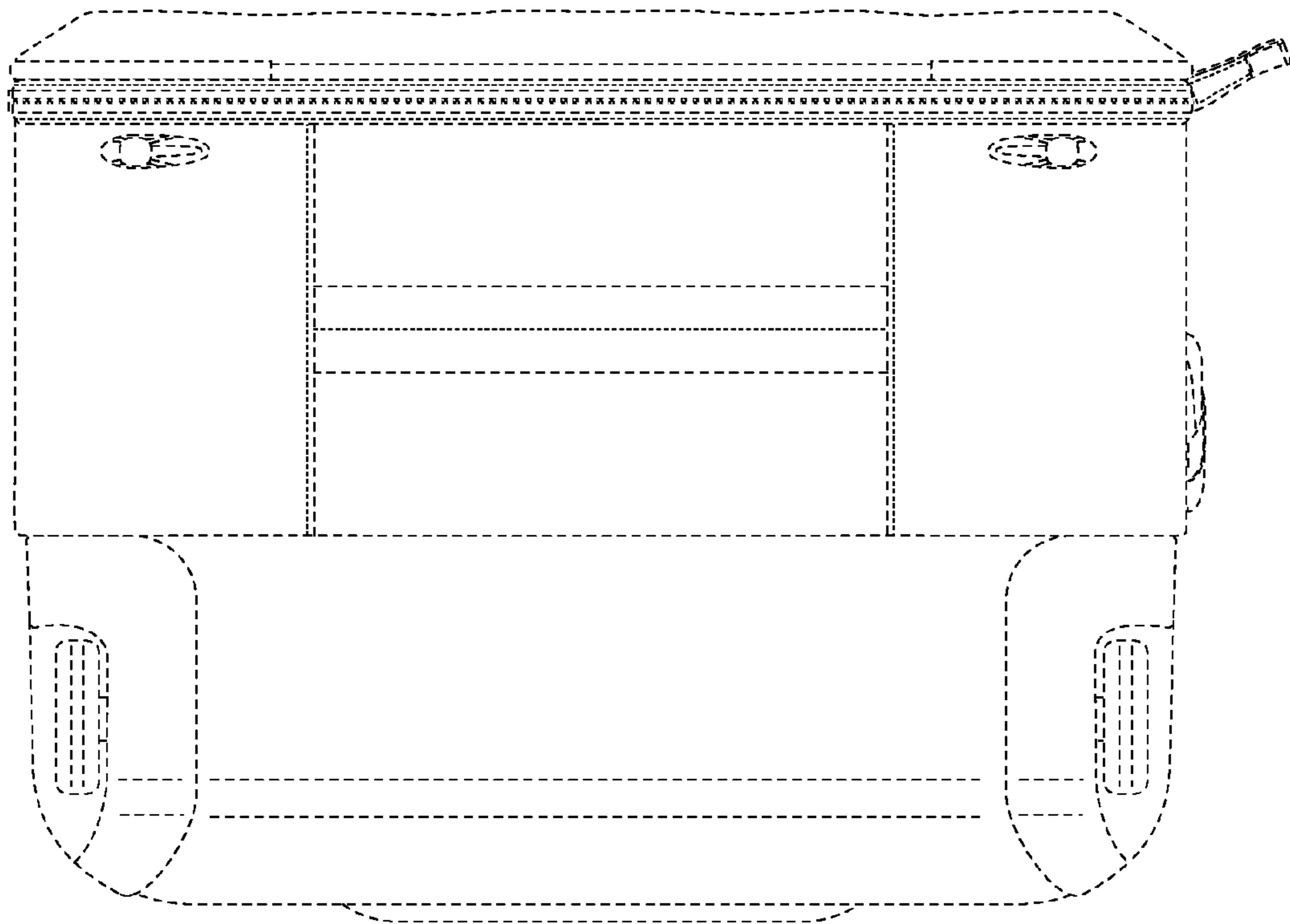


FIG. 14



FIG. 15

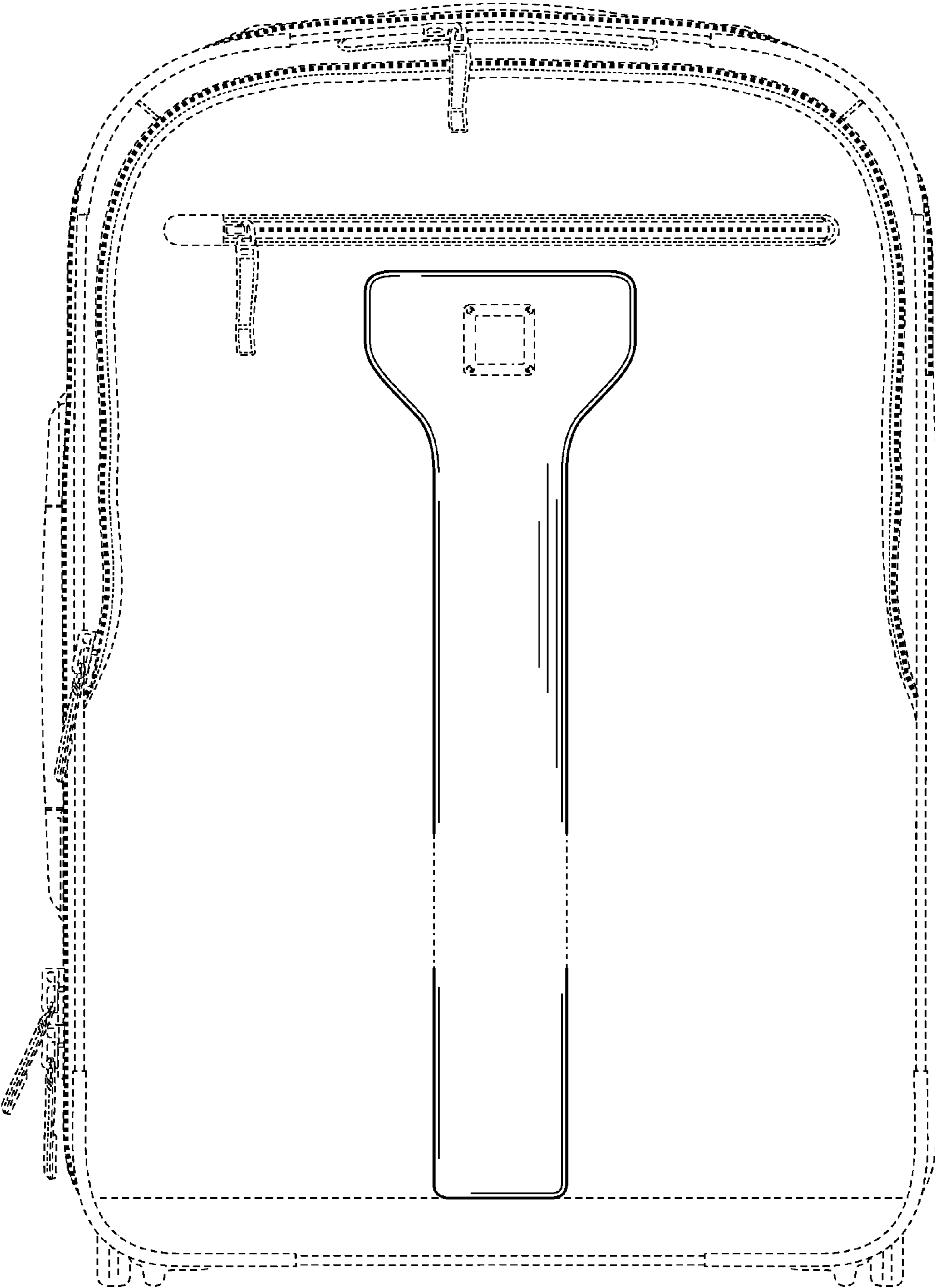


FIG. 16





FIG. 17

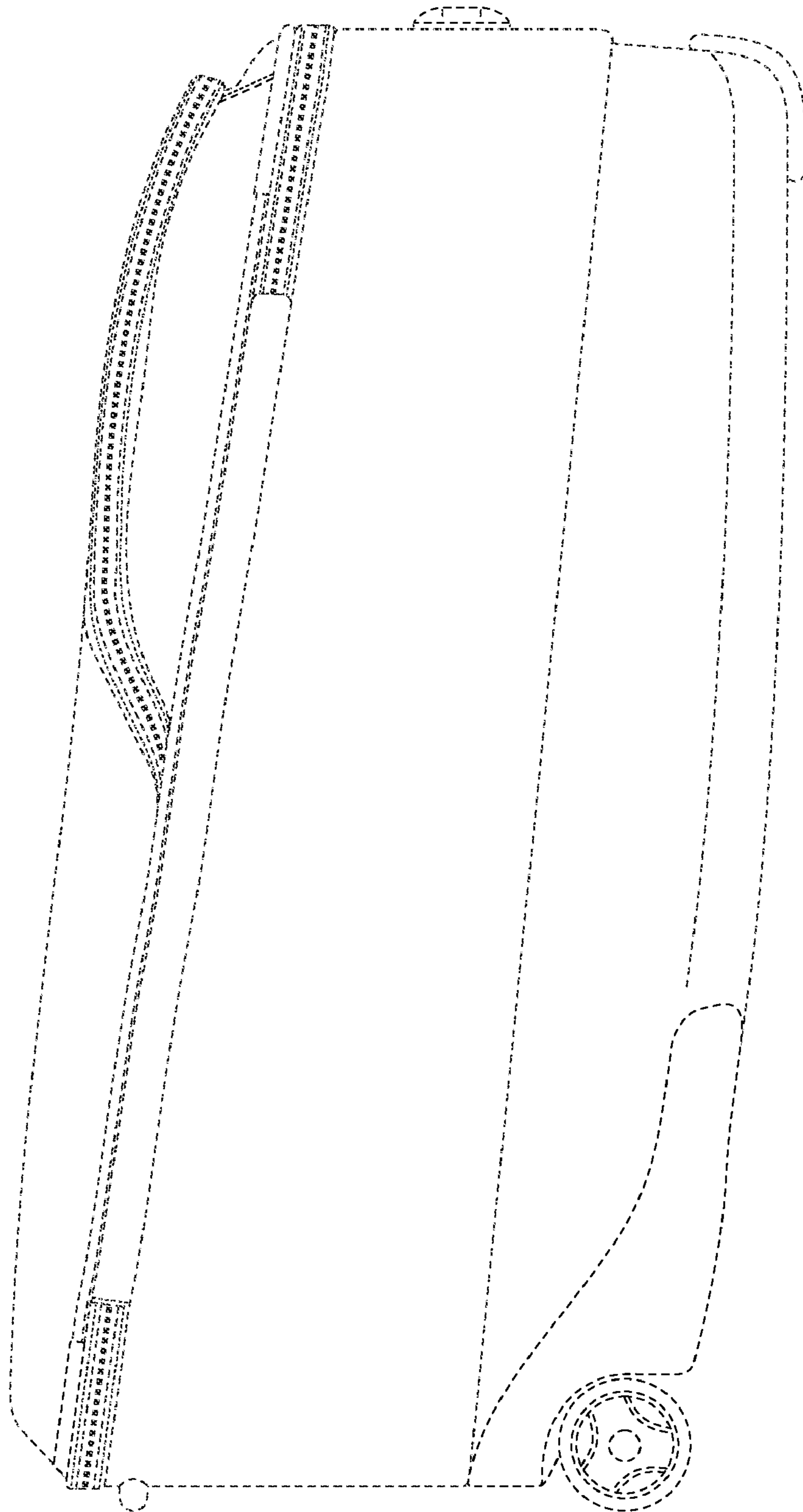


FIG. 18

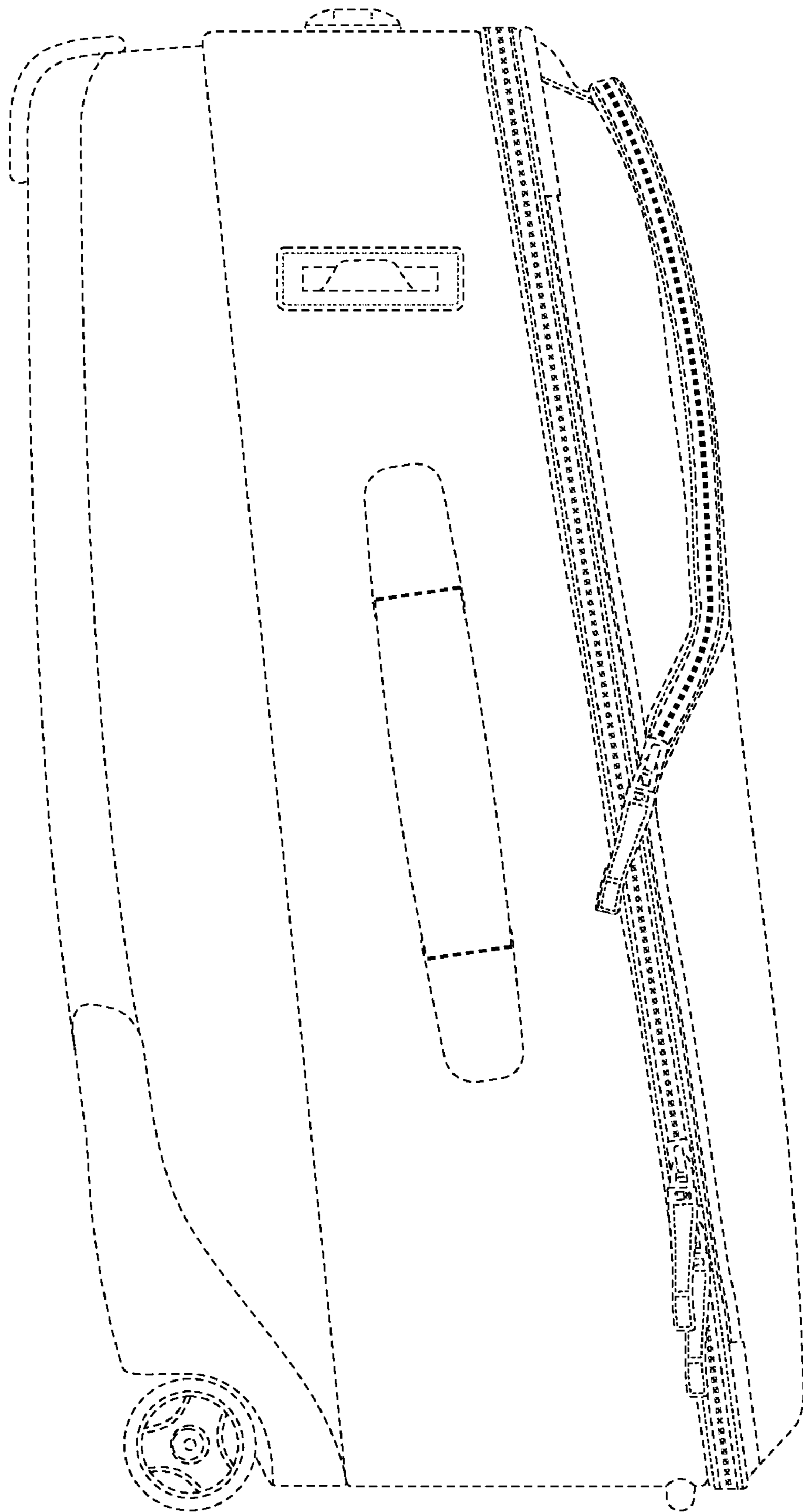


FIG. 19

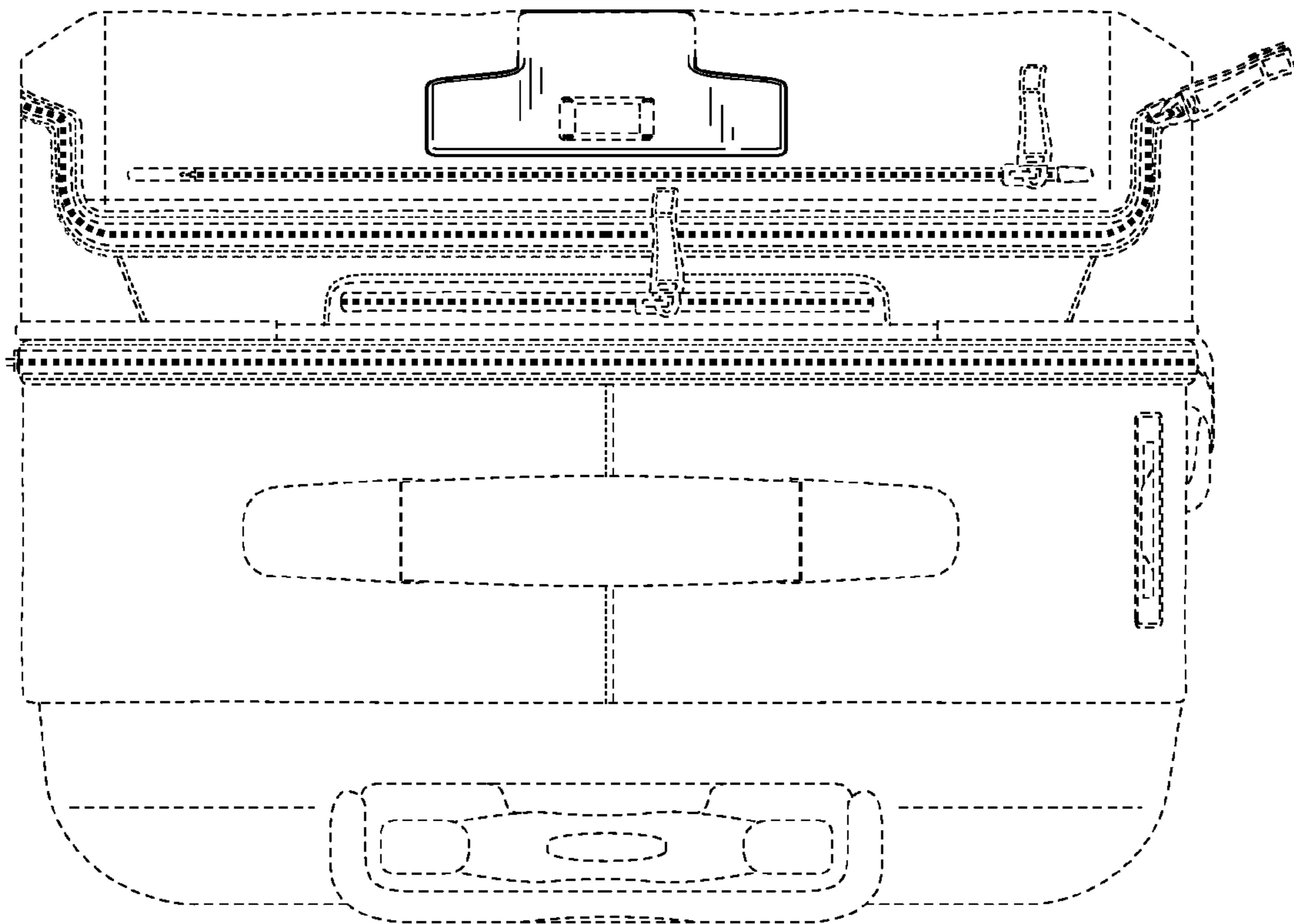


FIG. 20

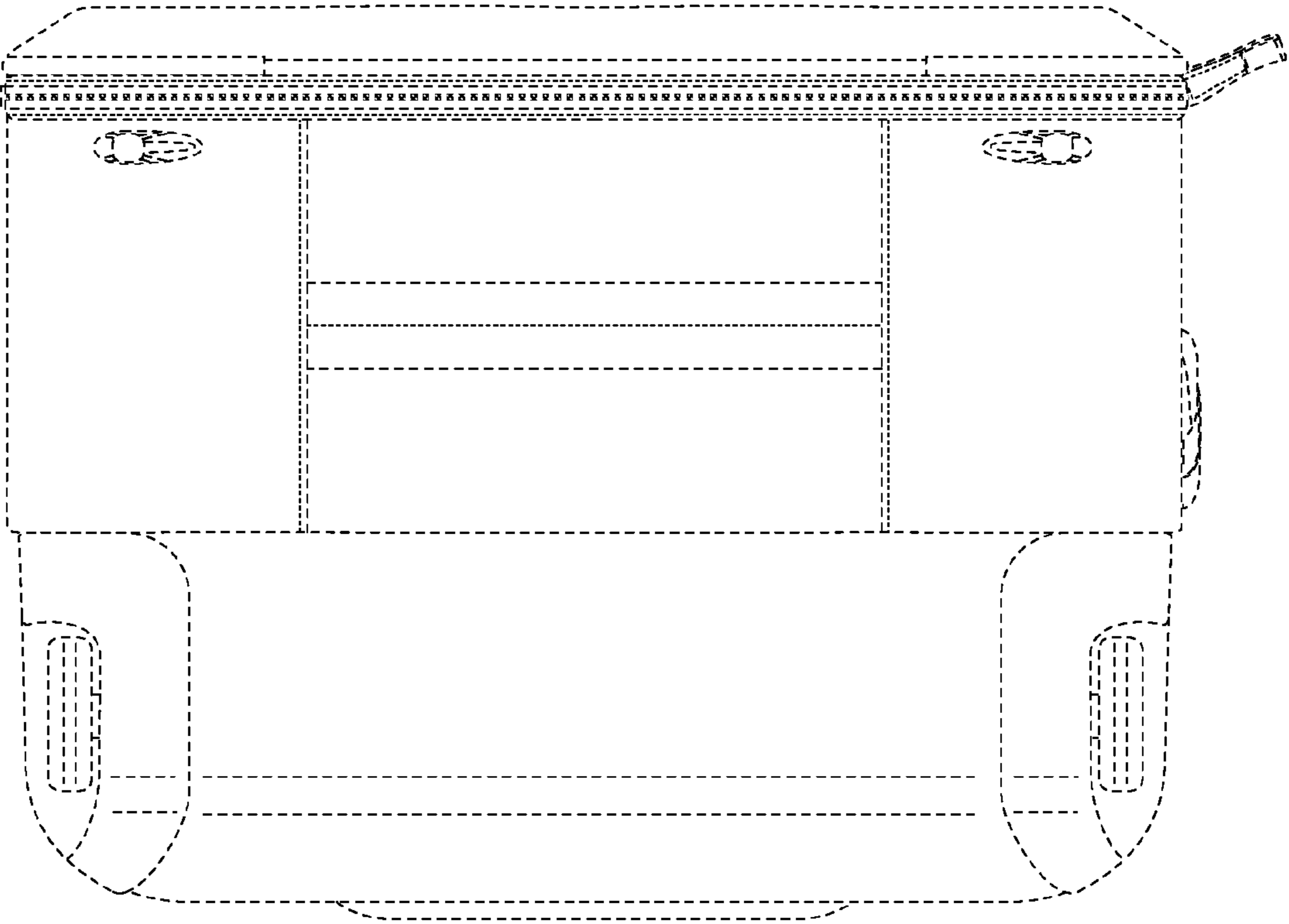


FIG. 21