



US00D596402S

(12) **United States Design Patent**  
**Chu et al.**

(10) **Patent No.:** **US D596,402 S**  
(45) **Date of Patent:** **\*\* Jul. 21, 2009**

(54) **BRIEFCASE**

(75) Inventors: **David Ching Chi Chu**, New York, NY  
(US); **Michael Stefan Leoniak**,  
Rochester, MN (US)

(73) Assignee: **Tumi, Inc.**, South Plainfield, NJ (US)

(\*\*) Term: **14 Years**

(21) Appl. No.: **29/318,790**

(22) Filed: **May 28, 2008**

**Related U.S. Application Data**

(63) Continuation-in-part of application No. 29/303,293,  
filed on Feb. 5, 2008.

(51) **LOC (9) Cl.** ..... **03-01**

(52) **U.S. Cl.** ..... **D3/321**

(58) **Field of Classification Search** ..... D3/321,  
D3/322, 276, 277, 278, 279, 283, 284, 285,  
D3/286, 318, 902; 190/18 A, 100, 103, 109,  
190/110, 111, 112, 115, 119, 120, 122, 124  
See application file for complete search history.

(56) **References Cited**

**U.S. PATENT DOCUMENTS**

D279,525 S *	7/1985	Allen	.....	D3/287
D292,747 S *	11/1987	Allen	.....	D3/287
5,105,919 A *	4/1992	Bomes et al.	.....	190/18 A
D328,391 S *	8/1992	Pulichino et al.	.....	D3/319
D329,329 S *	9/1992	Bomes et al.	.....	D3/279
D443,417 S *	6/2001	Hillman	.....	D3/287
D445,252 S *	7/2001	Klamm	.....	D3/289
D469,252 S *	1/2003	Su	.....	D3/289
D477,142 S *	7/2003	Dancyger	.....	D3/274

D492,115 S *	6/2004	Bertelsen et al.	.....	D3/318
7,048,101 B2 *	5/2006	Godshaw et al.	.....	190/18 A
7,150,345 B2 *	12/2006	Redzisz	.....	190/111
7,314,126 B2 *	1/2008	Godshaw et al.	.....	190/18 A
2007/0193902 A1 *	8/2007	Myers et al.	.....	206/320

**OTHER PUBLICATIONS**

Tumi "design in motion" product catalog from 1999.  
First Tumi product catalog from 2001.  
Second Tumi product catalog from 2001.  
Tumi Business Collections product brochure (1999-2001).  
Tumi Travel Collections product brochure (1999-2001).

\* cited by examiner

*Primary Examiner*—Holly H Baynham

*Assistant Examiner*—Sheryl Lane

(74) *Attorney, Agent, or Firm*—Baker Botts L.L.P.

(57) **CLAIM**

The ornamental design for a briefcase, as shown and described.

**DESCRIPTION**

FIG. 1 is a perspective view of a first embodiment of the briefcase.

FIG. 2 is a front view of the embodiment of FIG. 1.

FIG. 3 is a rear view of the embodiment of FIG. 1.

FIG. 4 is a right side view of the embodiment of FIG. 1.

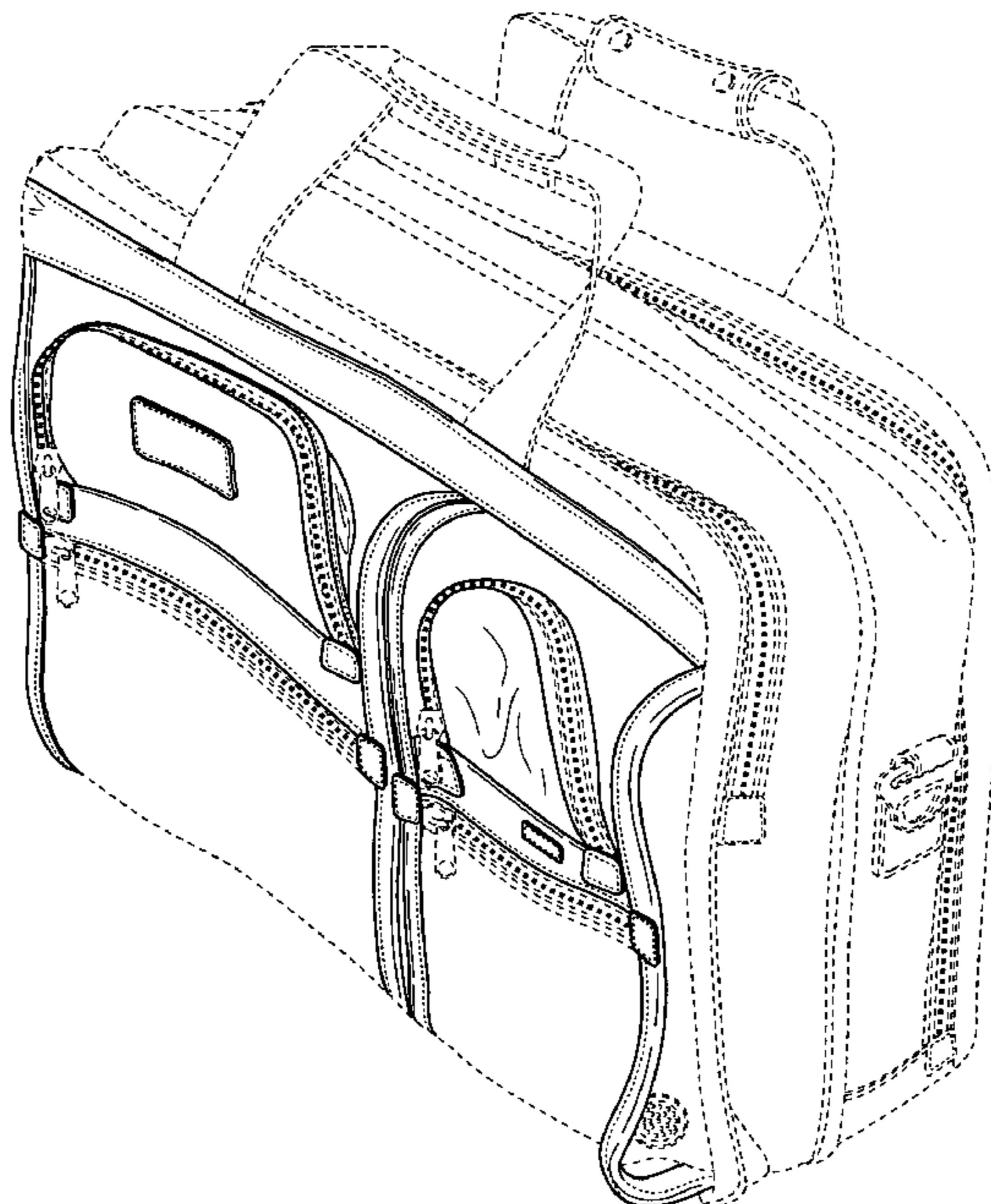
FIG. 5 is a left side view of the embodiment of FIG. 1.

FIG. 6 is a top view of the embodiment of FIG. 1; and,

FIG. 7 is a bottom view of the embodiment of FIG. 1.

The broken lines are provided for illustrative purposes only and form no part of the claimed design.

**1 Claim, 7 Drawing Sheets**



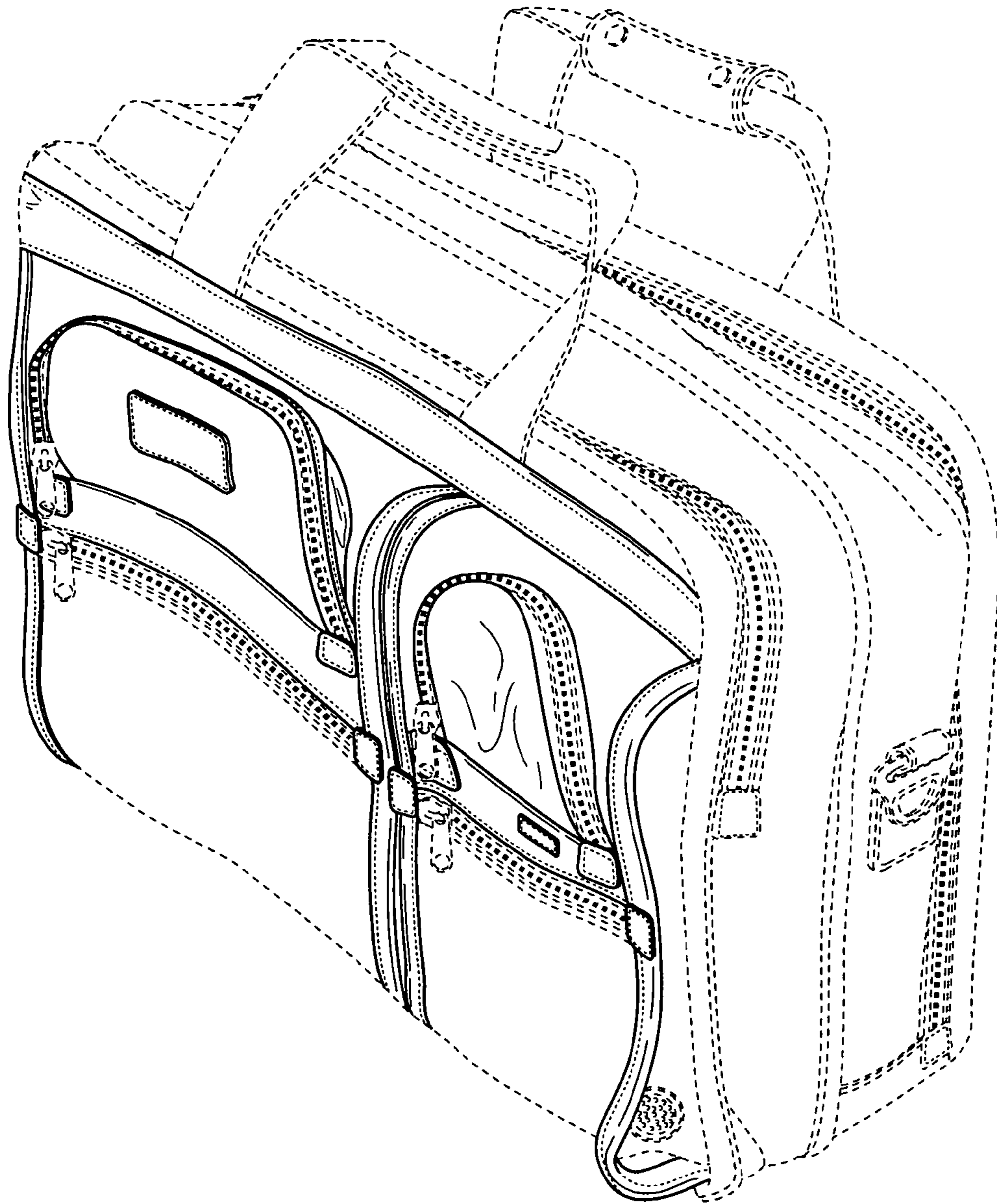


FIG. 1

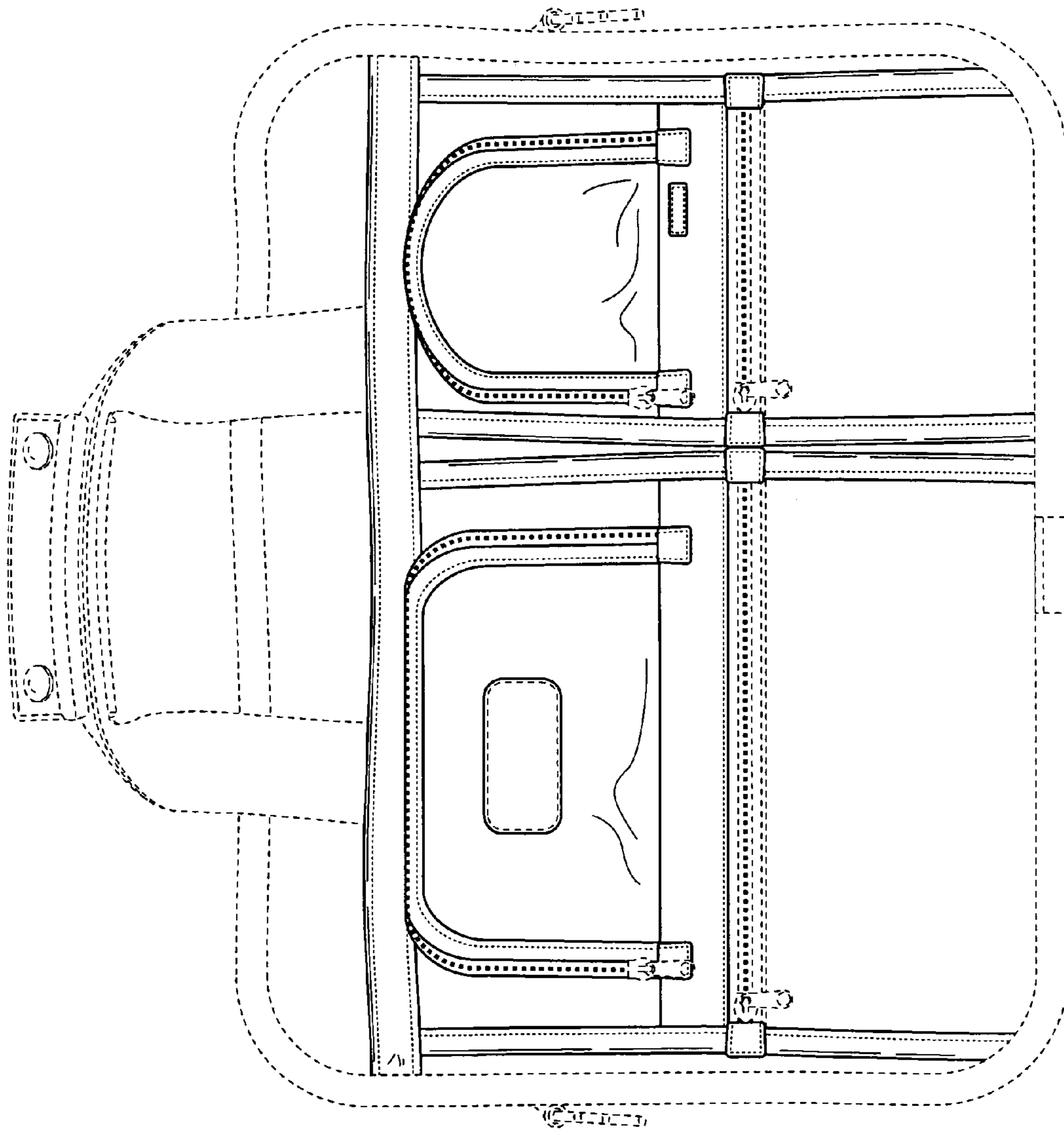


FIG. 2

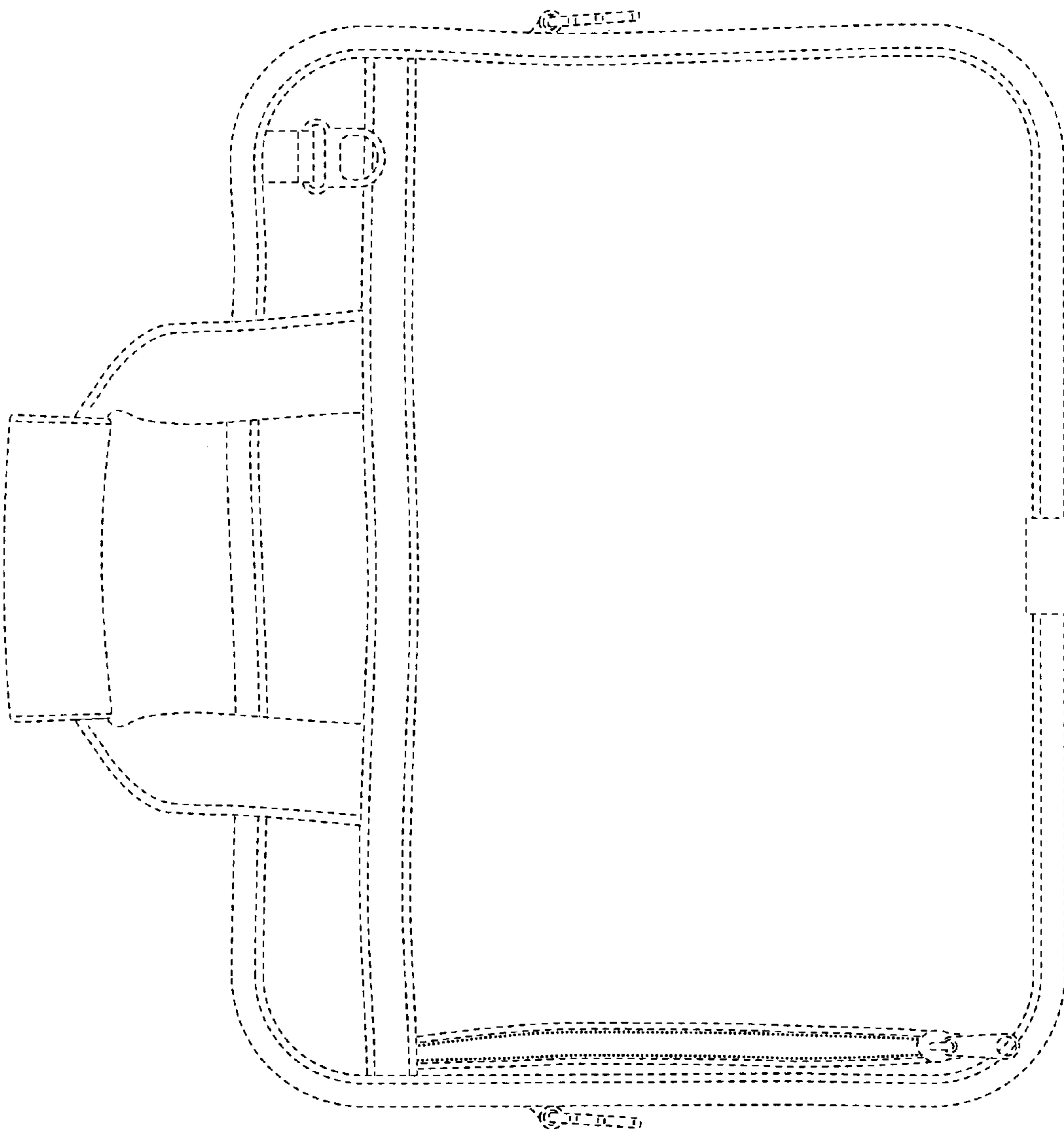


FIG. 3

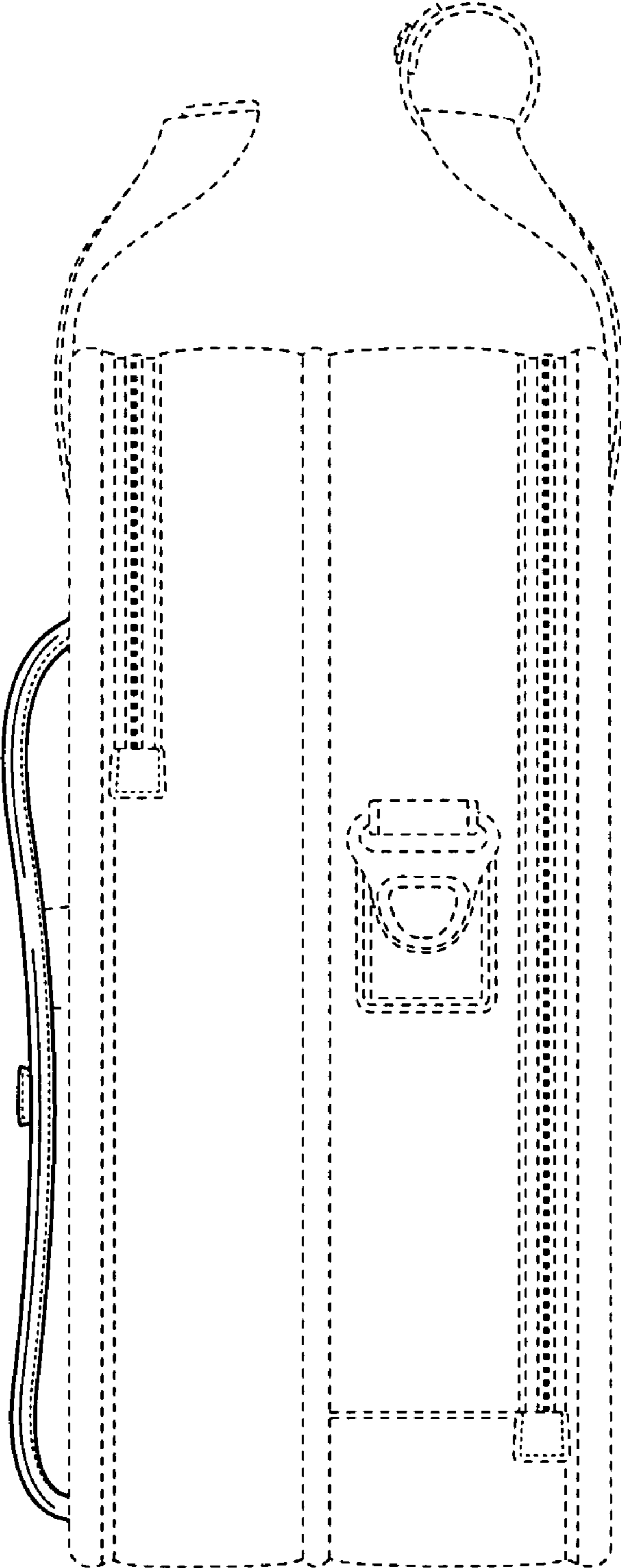


FIG. 4

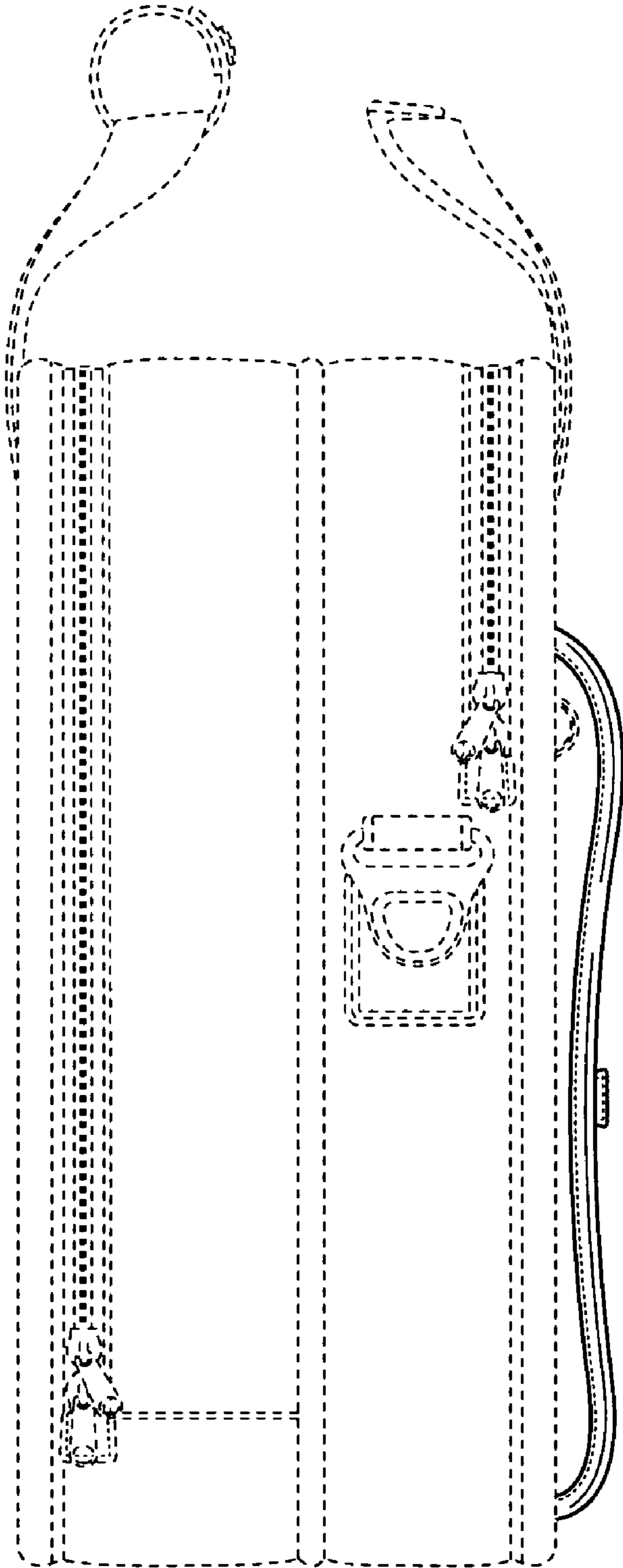


FIG. 5

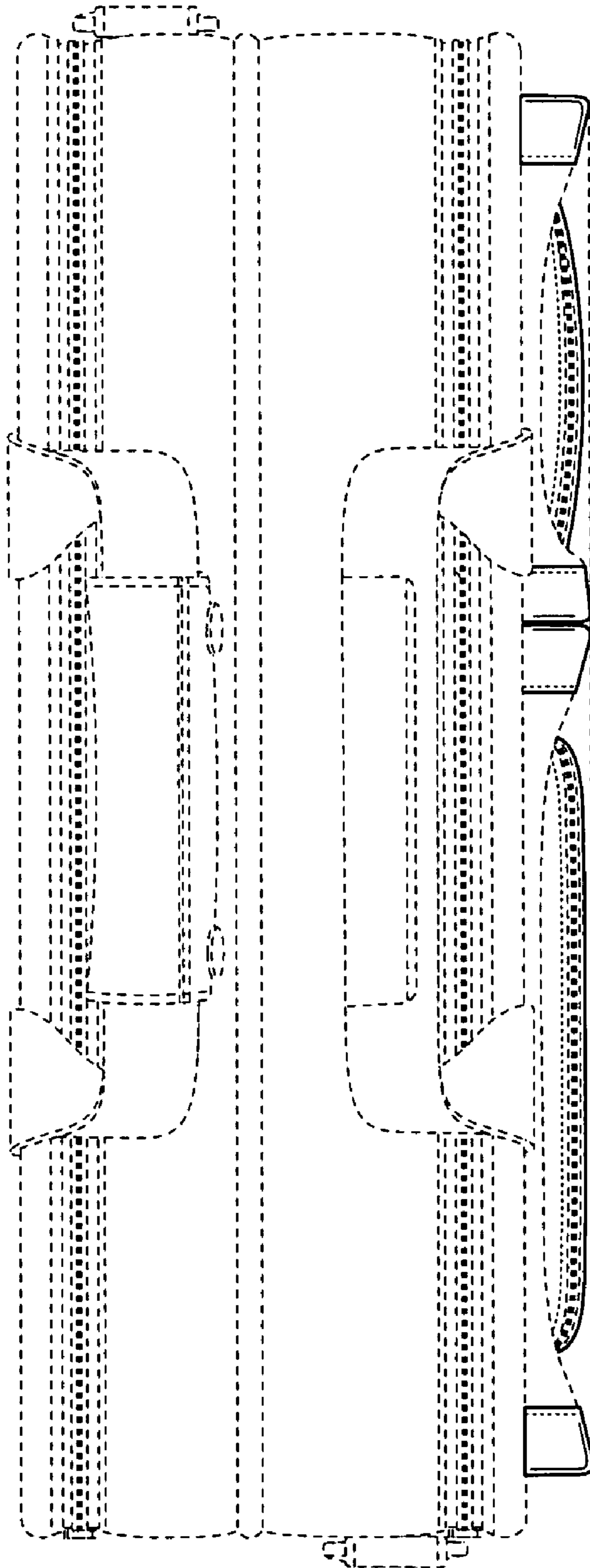


FIG. 6

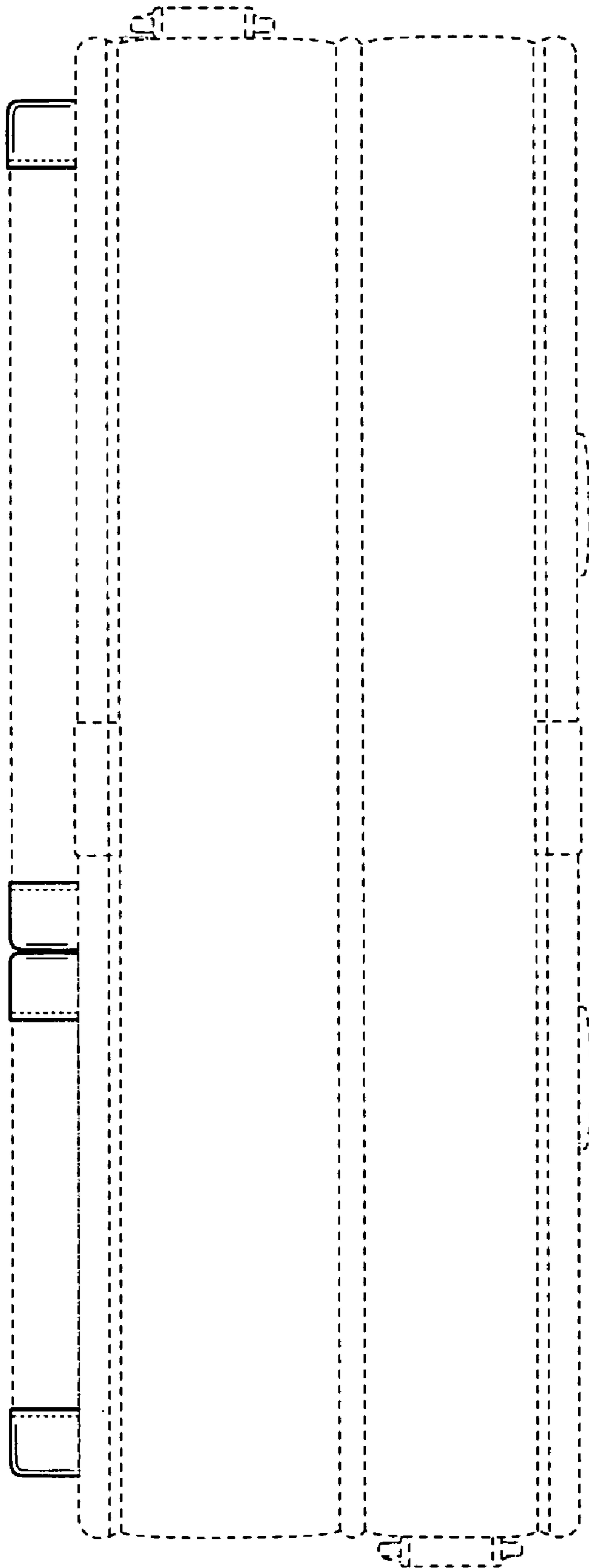


FIG. 7