



US00D596398S

(12) **United States Design Patent**
Chu et al.

(10) **Patent No.:** **US D596,398 S**
(45) **Date of Patent:** **** Jul. 21, 2009**

(54) **BRIEFCASE**

(75) Inventors: **David Ching Chi Chu**, New York, NY (US); **Peter Chang-Lin Wu**, Franklin Park, NJ (US)

(73) Assignee: **Tumi, Inc.**, South Plainfield, NJ (US)

(**) Term: **14 Years**

(21) Appl. No.: **29/322,339**

(22) Filed: **Aug. 1, 2008**

(51) **LOC (9) Cl.** **03-01**

(52) **U.S. Cl.** **D3/290; D3/283; D3/900**

(58) **Field of Classification Search** None
See application file for complete search history.

(56) **References Cited**

U.S. PATENT DOCUMENTS

D249,824 S *	10/1978	Koszegi	D3/268
D277,618 S *	2/1985	Bomes et al.	D3/287
D280,866 S *	10/1985	Bomes et al.	D3/287
D283,269 S *	4/1986	Durbin	D3/262
D283,465 S *	4/1986	Allen	D3/287
D302,211 S *	7/1989	Sears	D3/283
D317,081 S *	5/1991	King	D3/287
D360,978 S *	8/1995	Willard et al.	D3/301
D368,370 S *	4/1996	Tawil	D3/276
D377,415 S *	1/1997	Jacobs et al.	D3/206
D396,144 S *	7/1998	Farmer	D3/287
D399,057 S *	10/1998	Akutsu	D3/290
D401,063 S *	11/1998	Yamamoto et al.	D3/287
D465,086 S *	11/2002	Watts	D3/290
D469,252 S *	1/2003	Su	D3/289
D505,012 S *	5/2005	Godshaw et al.	D3/289
D522,238 S *	6/2006	Stulman	D3/243
D535,100 S *	1/2007	Suppangig	D3/283

D548,462 S *	8/2007	Aliberti et al.	D3/283
D548,965 S *	8/2007	Aliberti et al.	D3/283
2005/0029066 A1 *	2/2005	Redzisz	190/111

OTHER PUBLICATIONS

Photographs of various luggage samples from Jun. 2007.
Luggage photographs alleged by Jack Georges to be from 1997 and 1998.

Schlesinger luggage photographs from a 1993 catalog.
Dakota Adventure luggage from a 1998 catalog.

* cited by examiner

Primary Examiner—Philip S Hyder

Assistant Examiner—RoseLynne Cody

(74) *Attorney, Agent, or Firm*—Baker Botts L.L.P.

(57) **CLAIM**

The ornamental design for a briefcase, as shown and described.

DESCRIPTION

FIG. 1 is a perspective view of a briefcase, embodying my new design.

FIG. 2 is front view of the briefcase of FIG. 1.

FIG. 3 is a rear view of the briefcase of FIG. 1.

FIG. 4 is left side view of the briefcase of FIG. 1.

FIG. 5 is right side view of the briefcase of FIG. 1.

FIG. 6 is a top view of the briefcase of FIG. 1; and,

FIG. 7 is a bottom view of the briefcase of FIG. 1.

The shoulder strap shown in broken lines in FIGS. 1–6 is illustrative of environment and forms no part of the claimed design. All other broken lines in the figures depict stitching and do form part of the claimed design.

1 Claim, 5 Drawing Sheets





FIG. 1



FIG. 2



FIG. 3

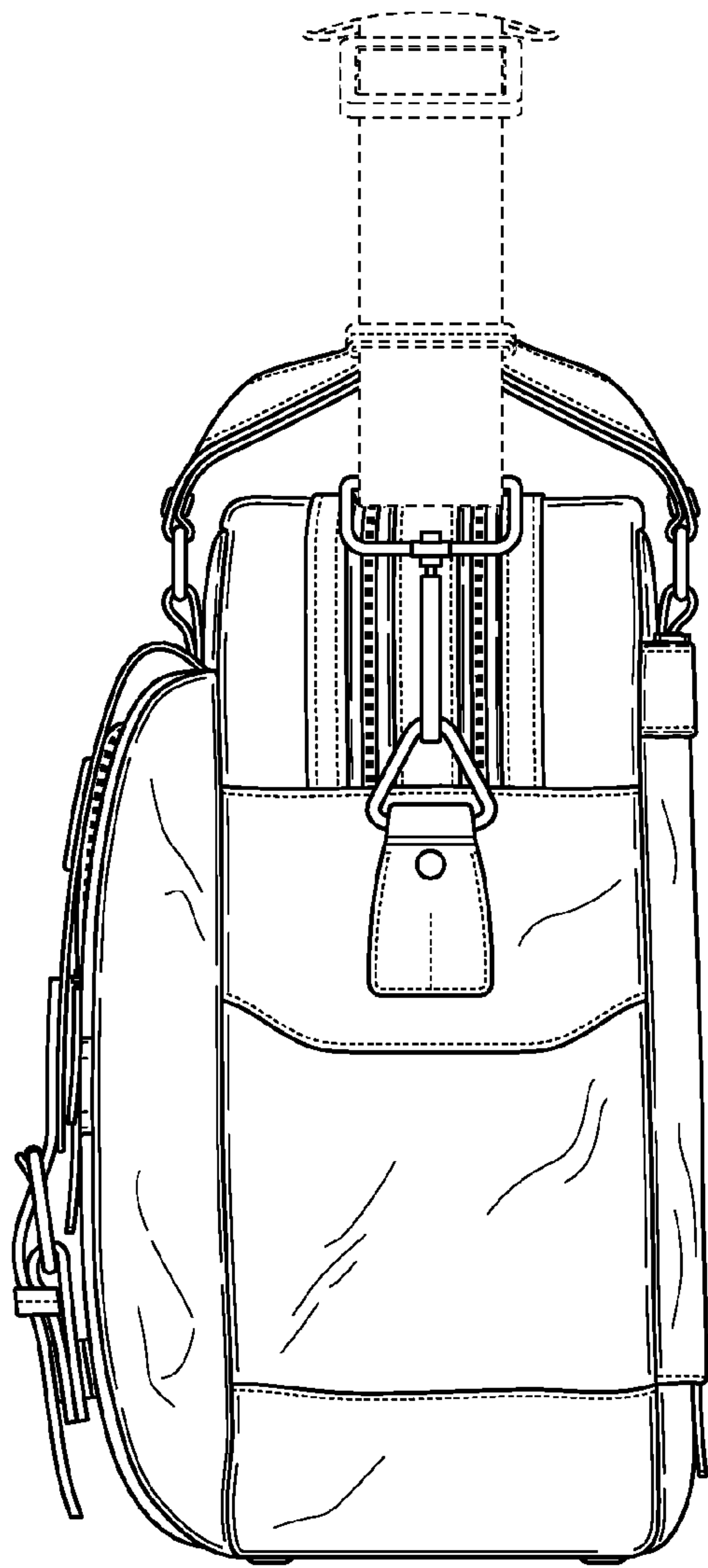


FIG. 4

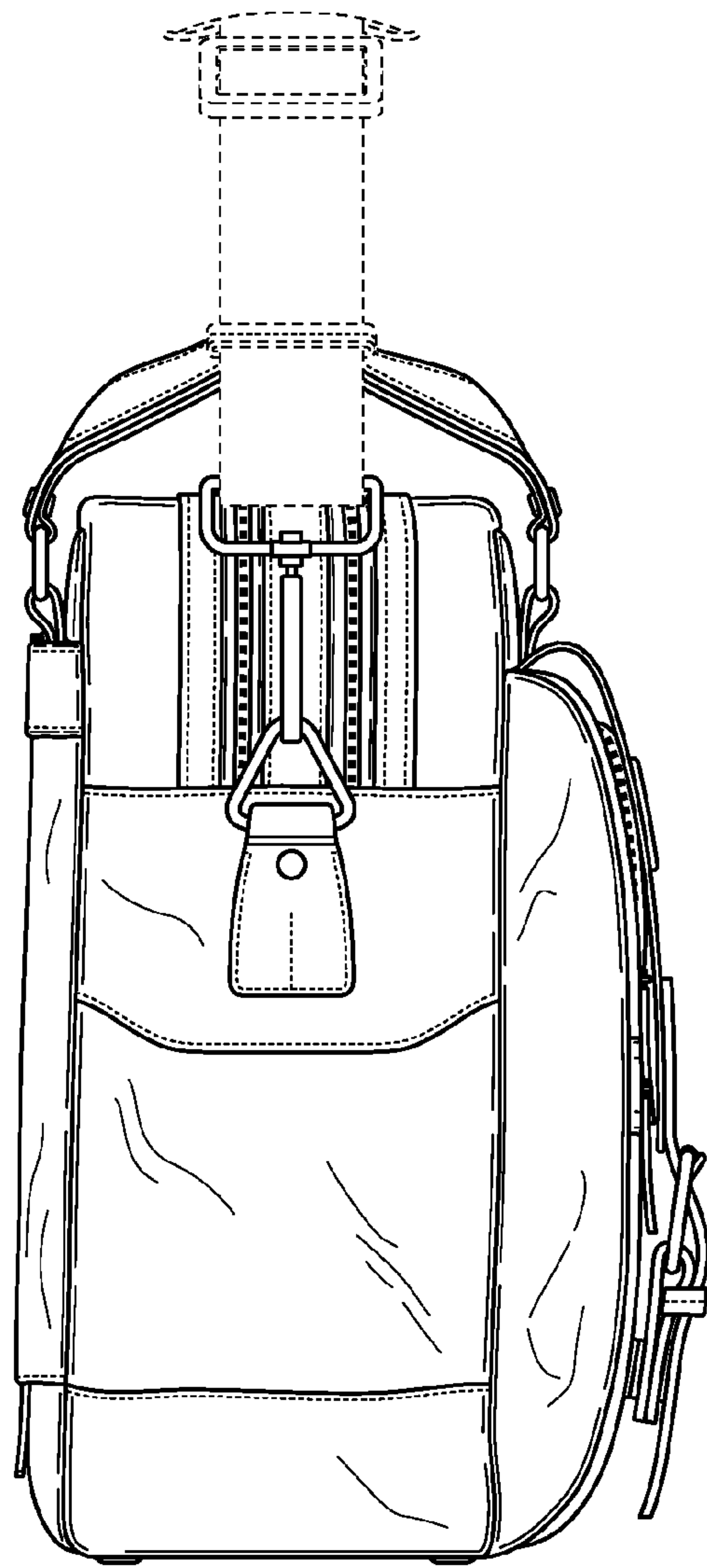


FIG. 5

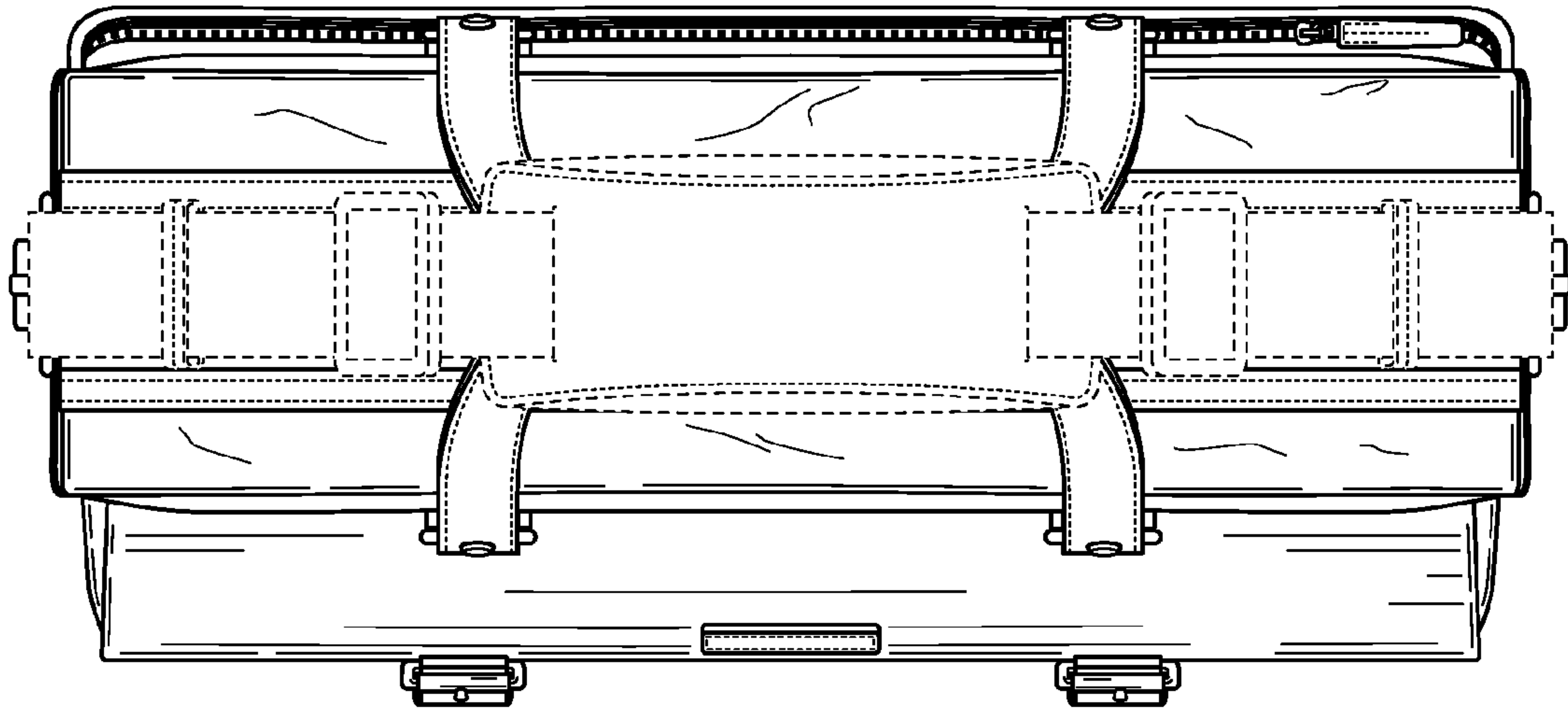


FIG. 6

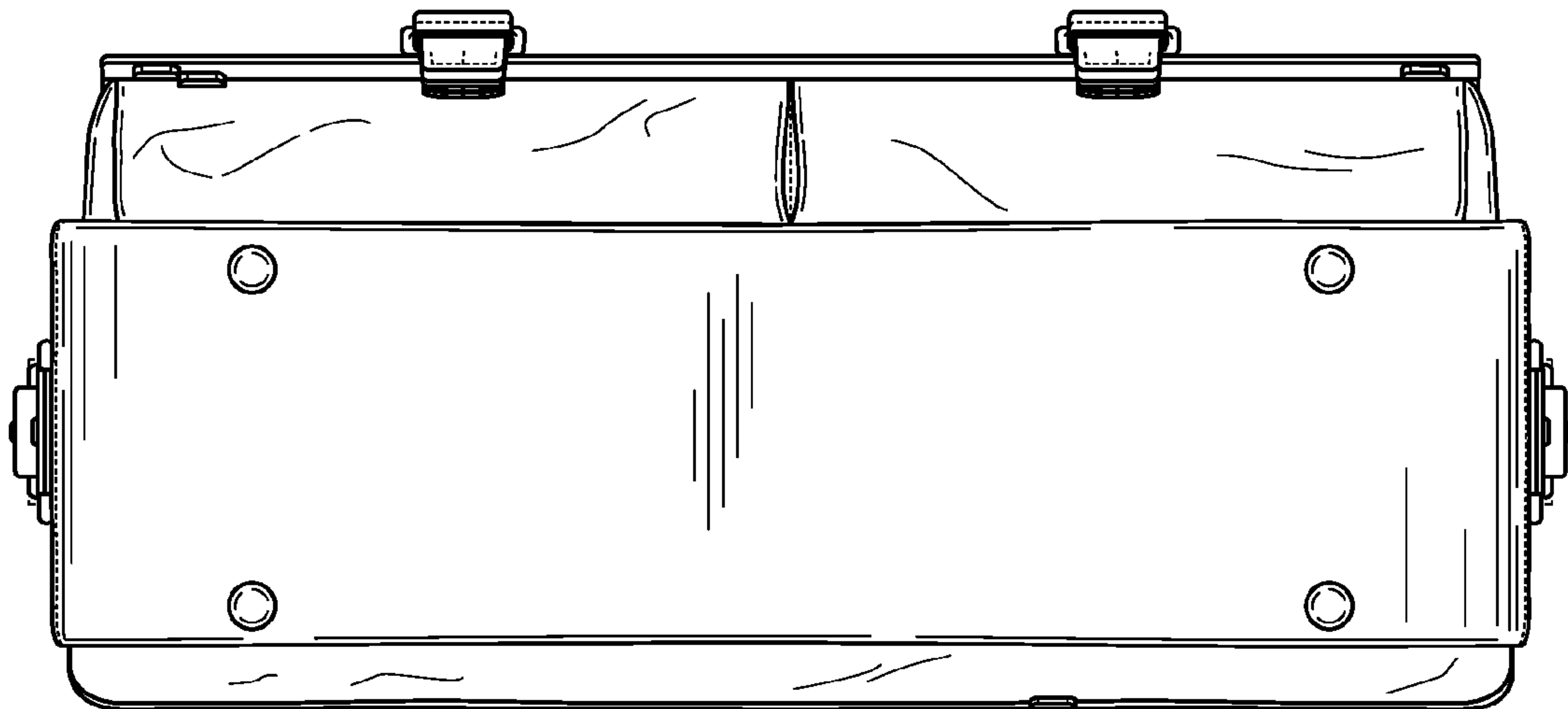


FIG. 7