



US00D596396S

(12) **United States Design Patent**  
**McCoy et al.**

(10) **Patent No.:** **US D596,396 S**  
(45) **Date of Patent:** **\*\* Jul. 21, 2009**

(54) **BAG**

(75) Inventors: **Ryan McCoy**, Falcon Heights, MN (US); **Angela L. Baer**, Minneapolis, MN (US); **Daniel Joseph Hoyord**, St. Paul, MN (US)

(73) Assignee: **Target Brands, Inc.**, Minneapolis, MN (US)

(\*\*) Term: **14 Years**

(21) Appl. No.: **29/324,416**

(22) Filed: **Sep. 11, 2008**

(51) **LOC (9) Cl.** ..... **03-01**

(52) **U.S. Cl.** ..... **D3/232**

(58) **Field of Classification Search** ..... D3/232-233,  
D3/240-246, 318, 322, 324; 150/100, 103-104,  
150/106-110, 114, 118-119

See application file for complete search history.

(56) **References Cited**

**U.S. PATENT DOCUMENTS**

4,463,789	A *	8/1984	Leiserson	.....	383/97
D422,411	S *	4/2000	Martin	.....	D3/303
D423,215	S *	4/2000	Furlanetto	.....	D3/303
D460,622	S *	7/2002	Wong	.....	D6/318
D491,354	S *	6/2004	Chapelier	.....	D3/246
D530,510	S *	10/2006	Suppangig	.....	D3/246
D535,820	S *	1/2007	Kamiya	.....	D3/246

**OTHER PUBLICATIONS**

Two photographs of bags received by inventor between Nov. 1, 2007 and Dec. 31, 2007 and Declaration of inventor. Three pages.

\* cited by examiner

*Primary Examiner*—Holly H Baynham

(74) *Attorney, Agent, or Firm*—Theodore M. Magee; Westman, Champlin & Kelly, P.A.

(57) **CLAIM**

The ornamental design for a bag, as shown and described.

**DESCRIPTION**

FIG. 1 is a top right front perspective view of the bag.

FIG. 2 is a left side view of the bag.

FIG. 3 is a right side view of the bag.

FIG. 4 is a front view of the bag.

FIG. 5 is a back view of the bag.

FIG. 6 is a top view of the bag.

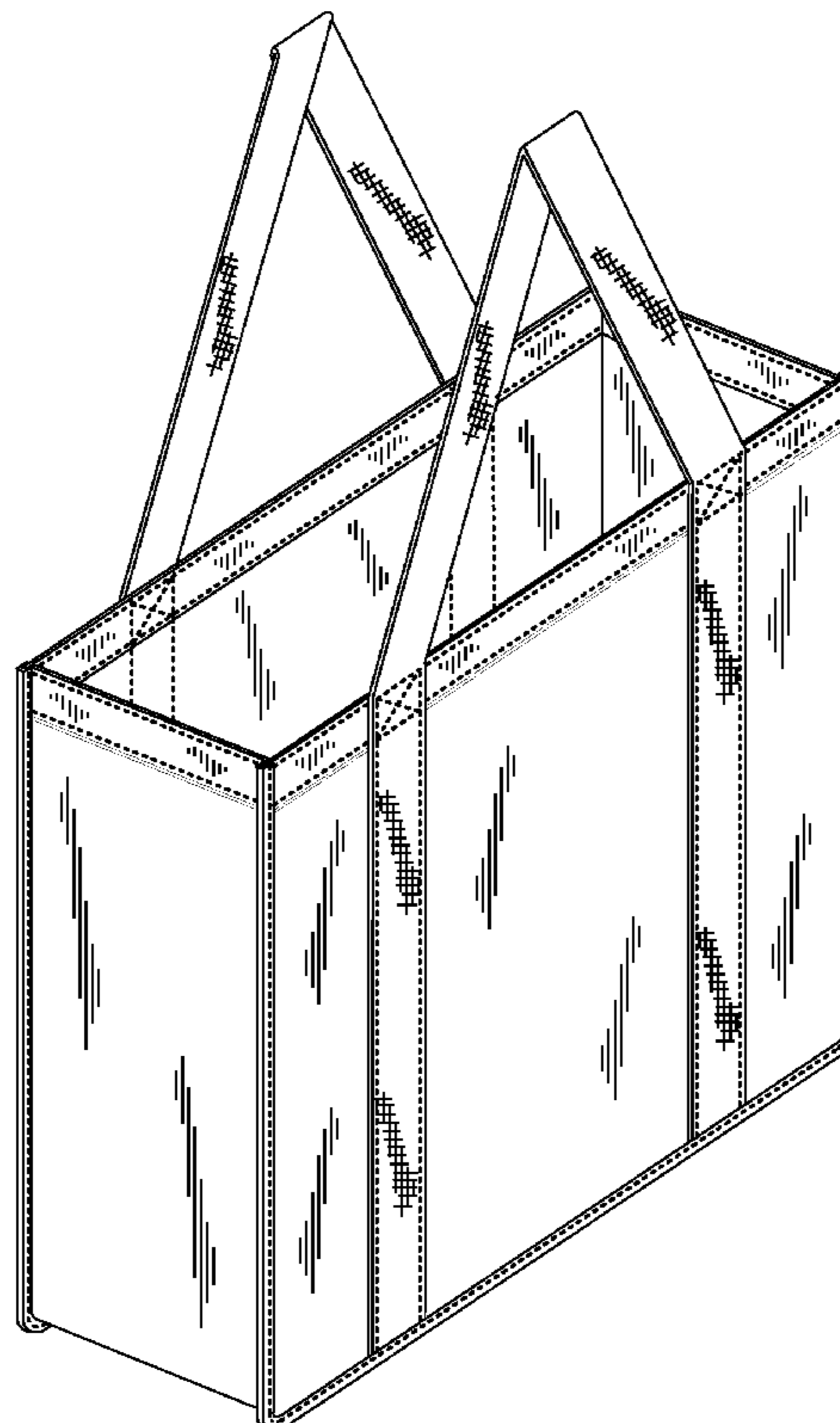
FIG. 7 is a bottom view of the bag.

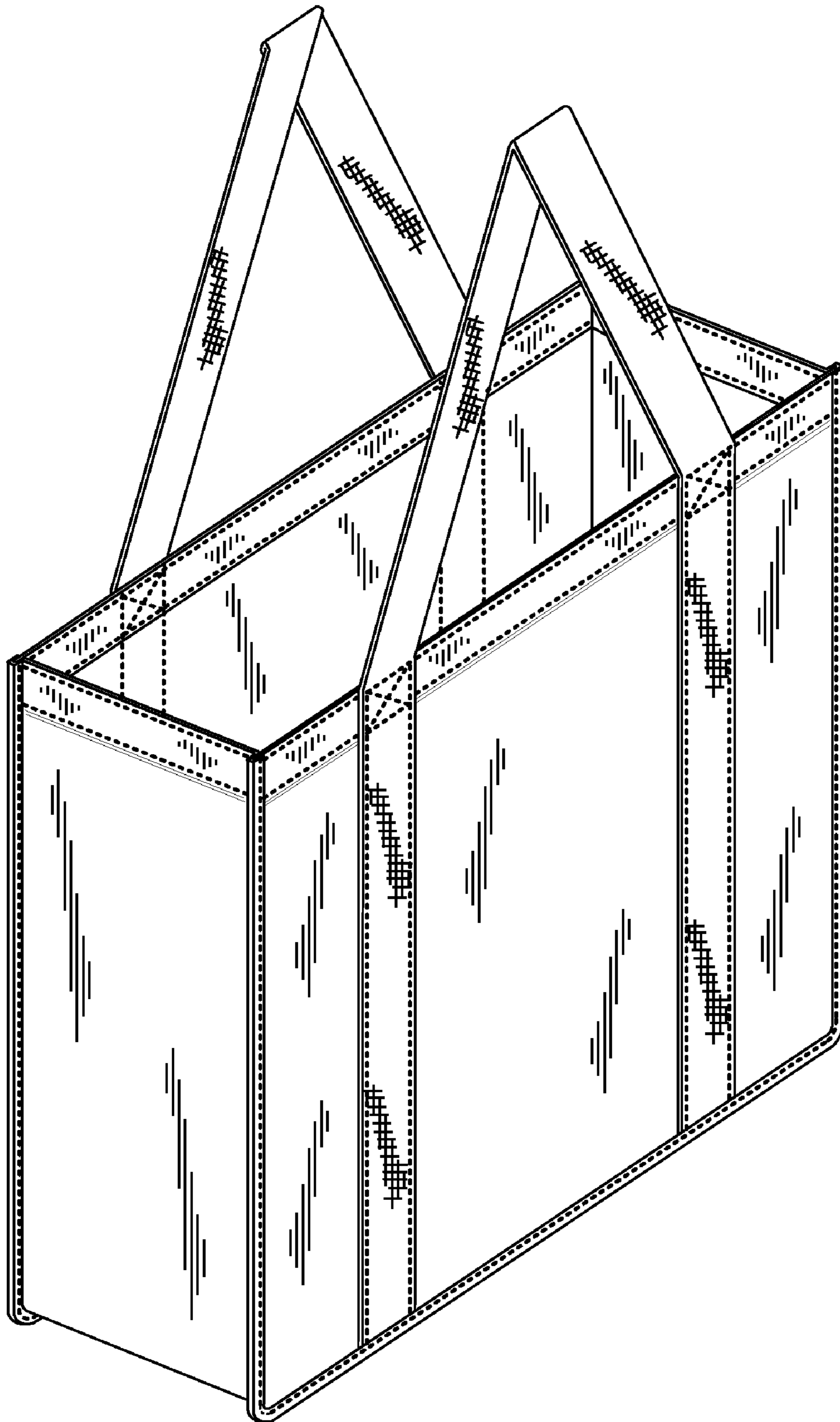
FIG. 8 is a partial expanded cross-sectional view of the bag taken along line 8—8 of FIG. 4.

FIG. 9 is a partial expanded cross-sectional view of the bag taken along line 9—9 of FIG. 2.

The dotted lines in FIGS. 1-9 represent stitching and as such form part of the claimed design for the bag.

**1 Claim, 6 Drawing Sheets**





*FIG. 1*

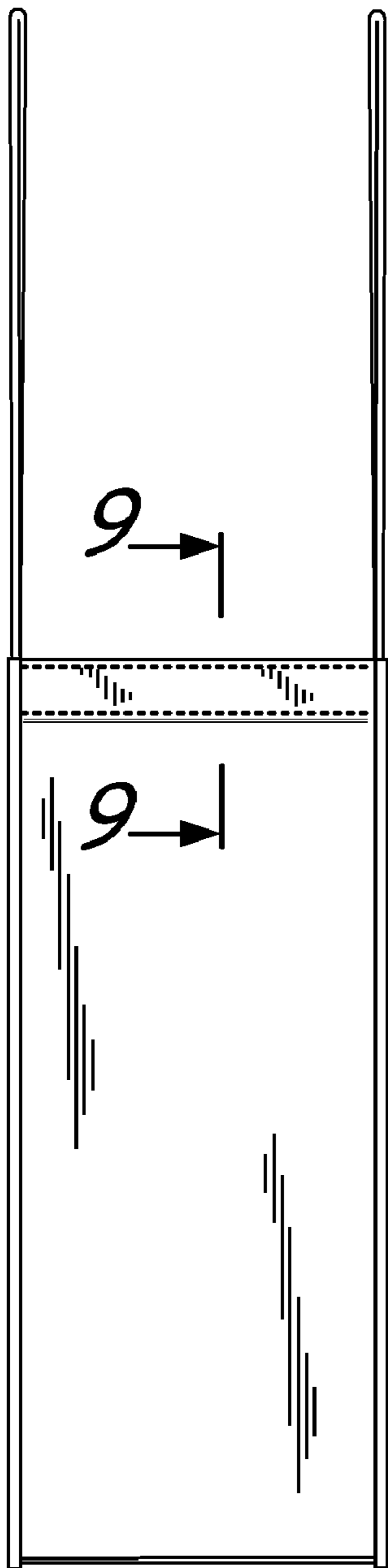


FIG. 2

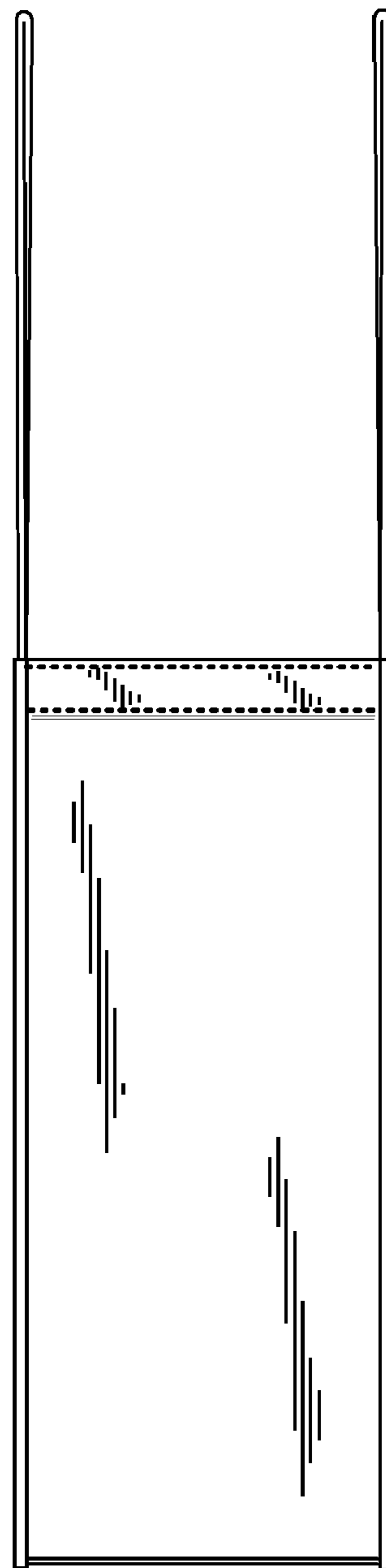
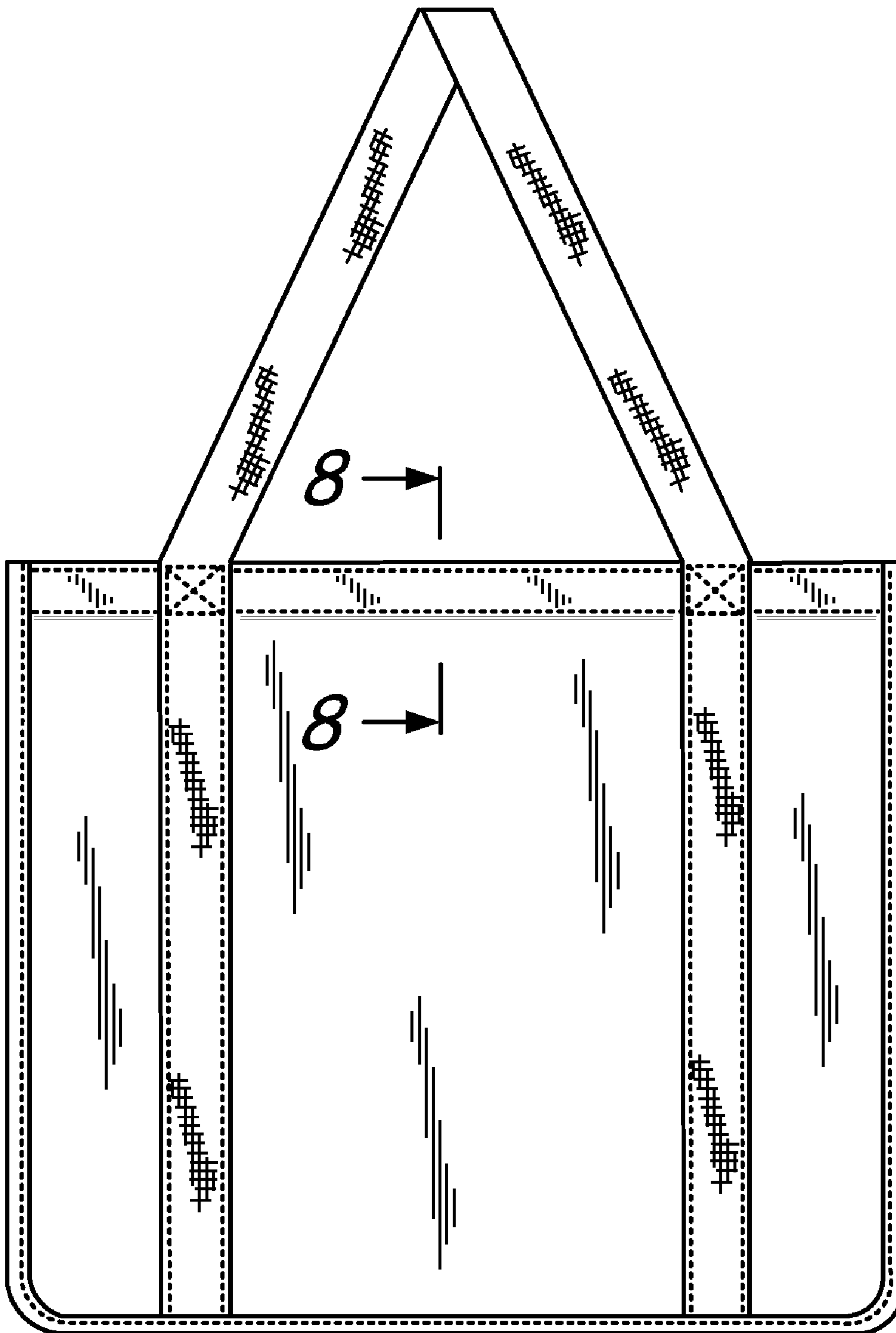
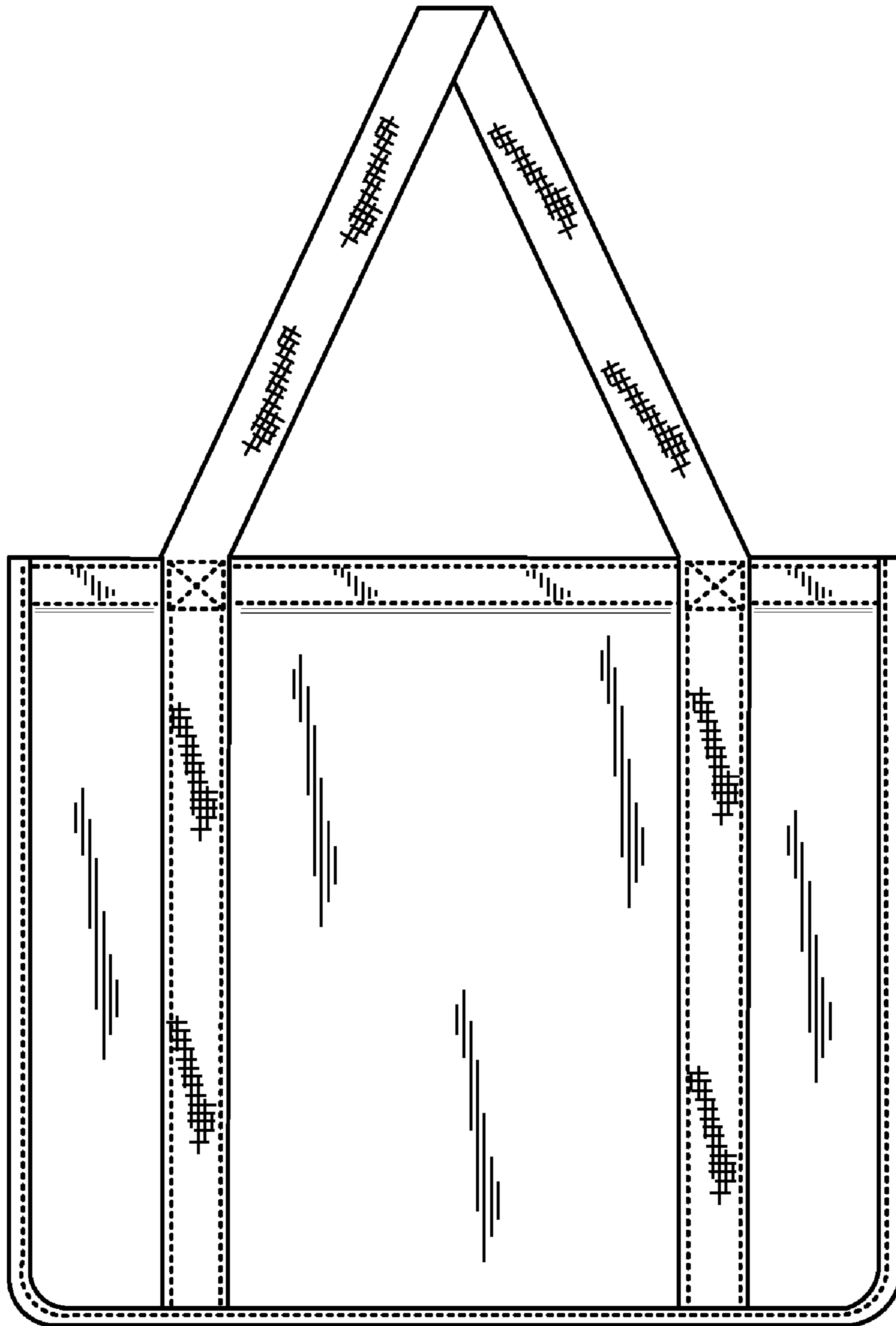


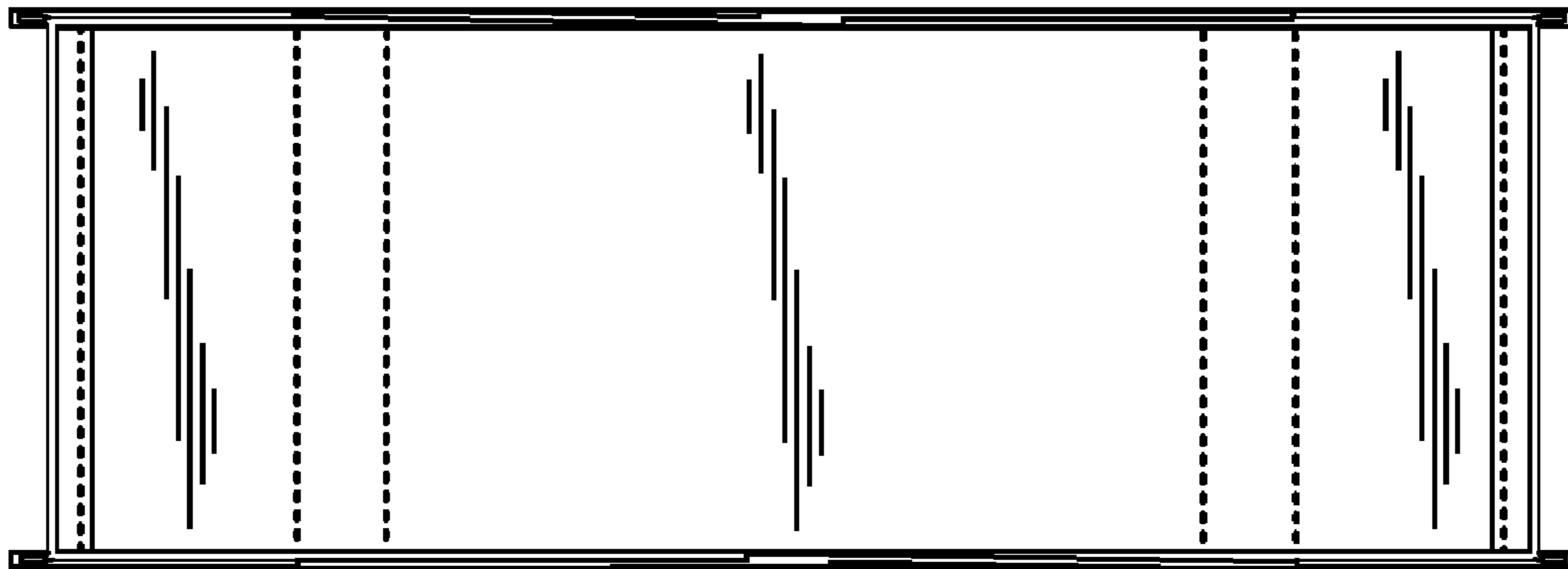
FIG. 3



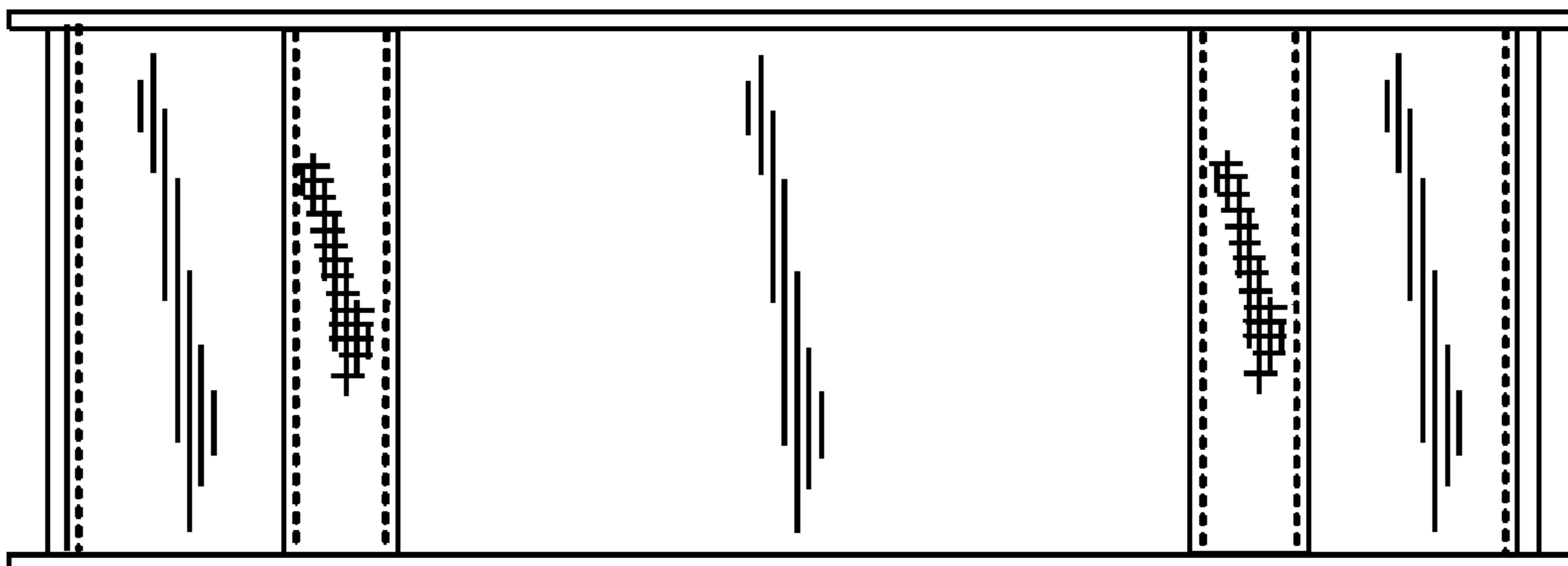
*FIG. 4*



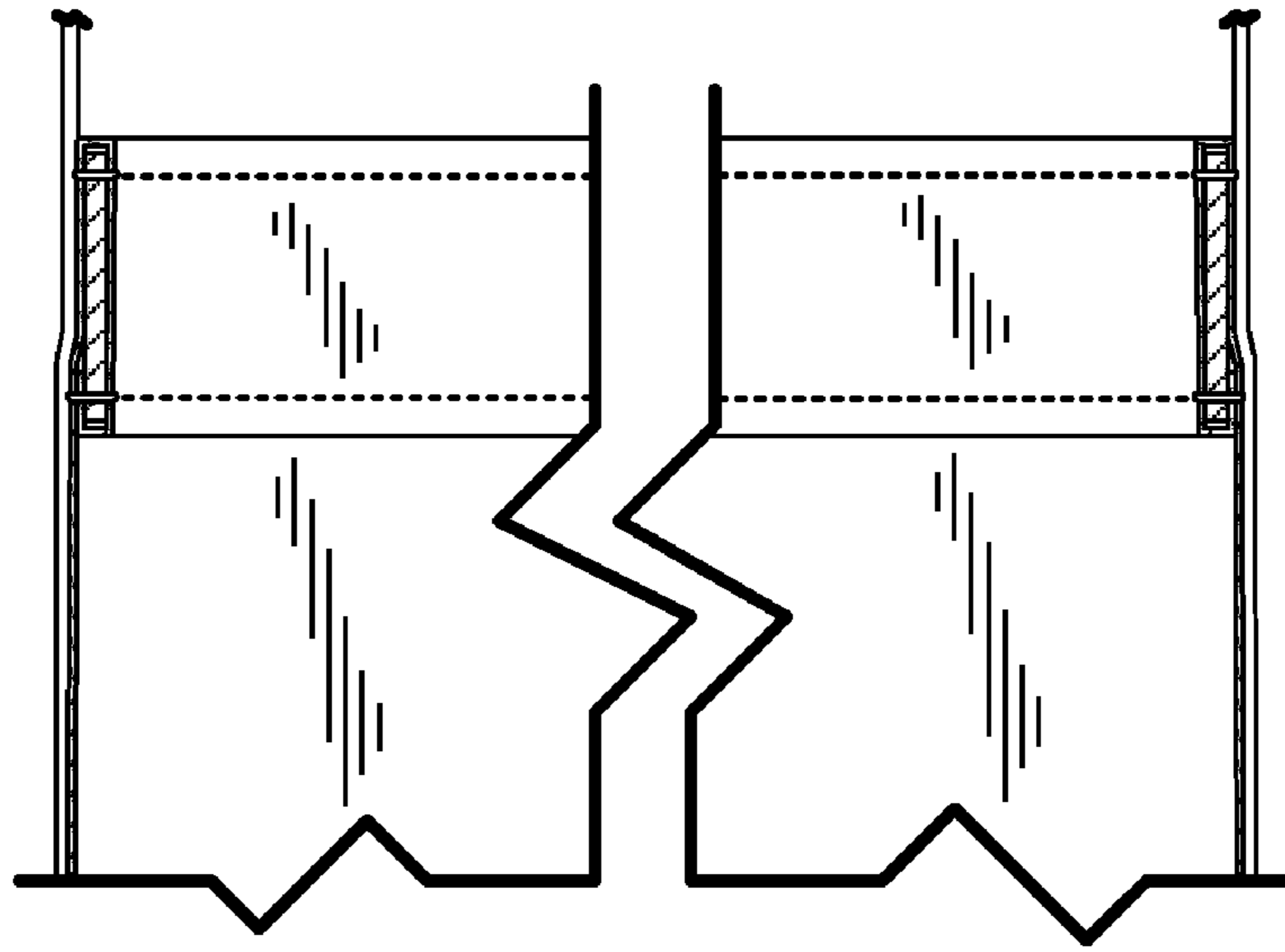
*FIG. 5*



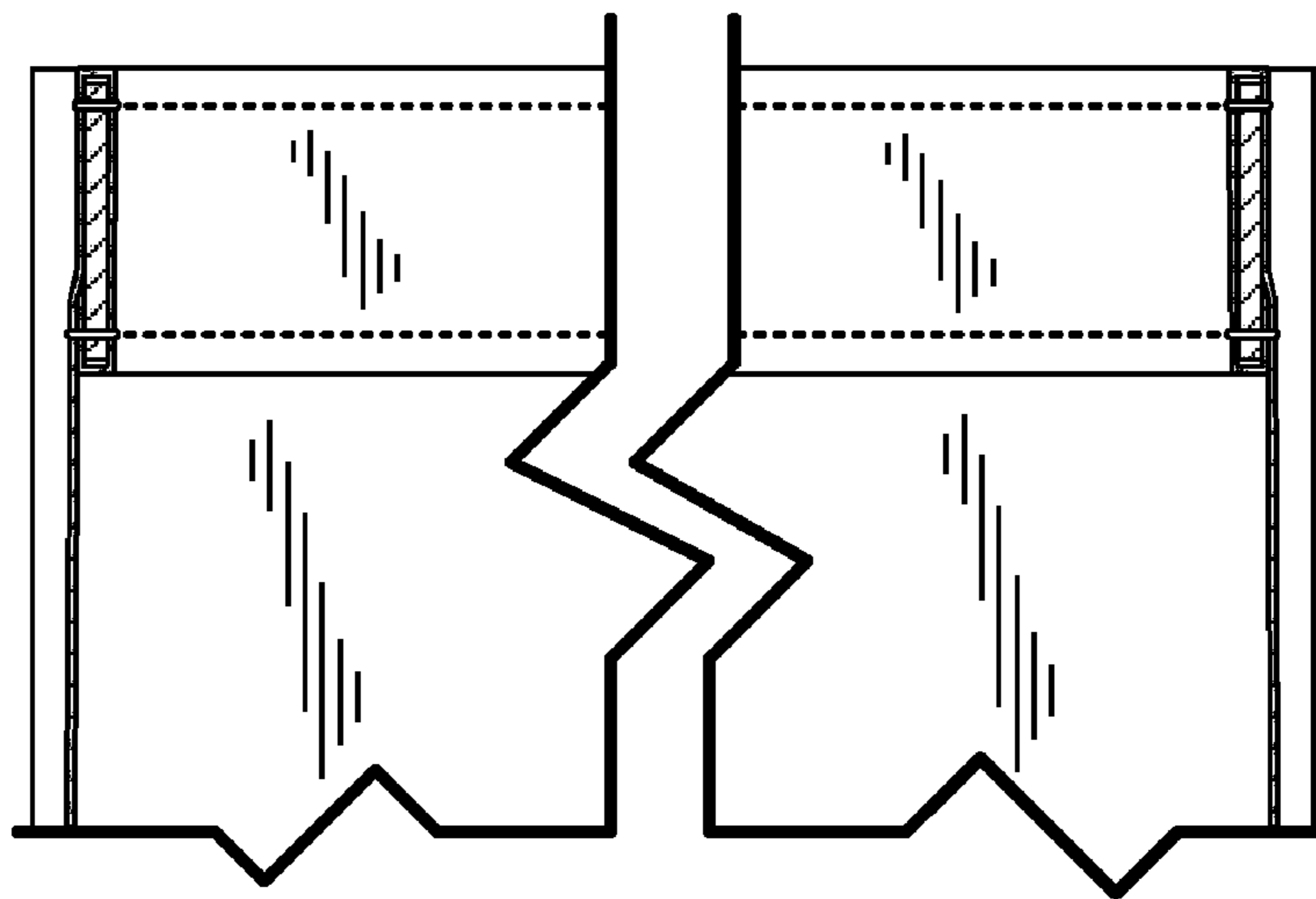
*FIG. 6*



*FIG. 7*



*FIG. 8*



*FIG. 9*