



US00D596394S

(12) **United States Design Patent**
Herman

(10) **Patent No.:** **US D596,394 S**
(45) **Date of Patent:** **** Jul. 21, 2009**

(54) **CLIP DEVICE FOR SECURING A
DIAPHRAGM HUNTING CALL AND THE
LIKE**

(76) Inventor: **John C. Herman**, 370 Apache Rd.,
Lyons, CO (US) 80540

(**) Term: **14 Years**

(21) Appl. No.: **29/292,177**

(22) Filed: **Oct. 1, 2007**

Related U.S. Application Data

(63) Continuation of application No. 11/392,177, filed on
Mar. 29, 2006, now abandoned, which is a continua-
tion-in-part of application No. 10/706,806, filed on
Nov. 12, 2003, now abandoned.

(51) **LOC (9) Cl.** **03-01**

(52) **U.S. Cl.** **D3/221**

(58) **Field of Classification Search** D3/221,
D3/215, 228, 207-212; 224/194, 268-269,
224/666, 247, 236, 240, 242, 197, 165; 24/3.1,
24/3.11, 3.12, 3.13, 3.6, 67.3; D22/125,
D22/199

See application file for complete search history.

(56) **References Cited**

U.S. PATENT DOCUMENTS

D433,563 S * 11/2000 Capanna et al. D3/215
D548,960 S * 8/2007 Tages et al. D3/218

D555,896 S * 11/2007 Ward-Llewellyn D3/215

* cited by examiner

Primary Examiner—Catherine R Oliver
(74) *Attorney, Agent, or Firm*—Emery L. Tracy

(57) **CLAIM**

The ornamental design for a clip device for securing a dia-
phragm hunting call and the like, as shown and described.

DESCRIPTION

FIG. 1 is a top perspective view illustrating a clip device for
securing a diaphragm hunting call and the like;

FIG. 2 is a bottom perspective view illustrating the clip device
for securing a diaphragm hunting call and the like;

FIG. 3 is a top plan view illustrating the clip device for
securing a diaphragm hunting call and the like;

FIG. 4 is bottom plan view illustrating the clip device for
securing a diaphragm hunting call and the like;

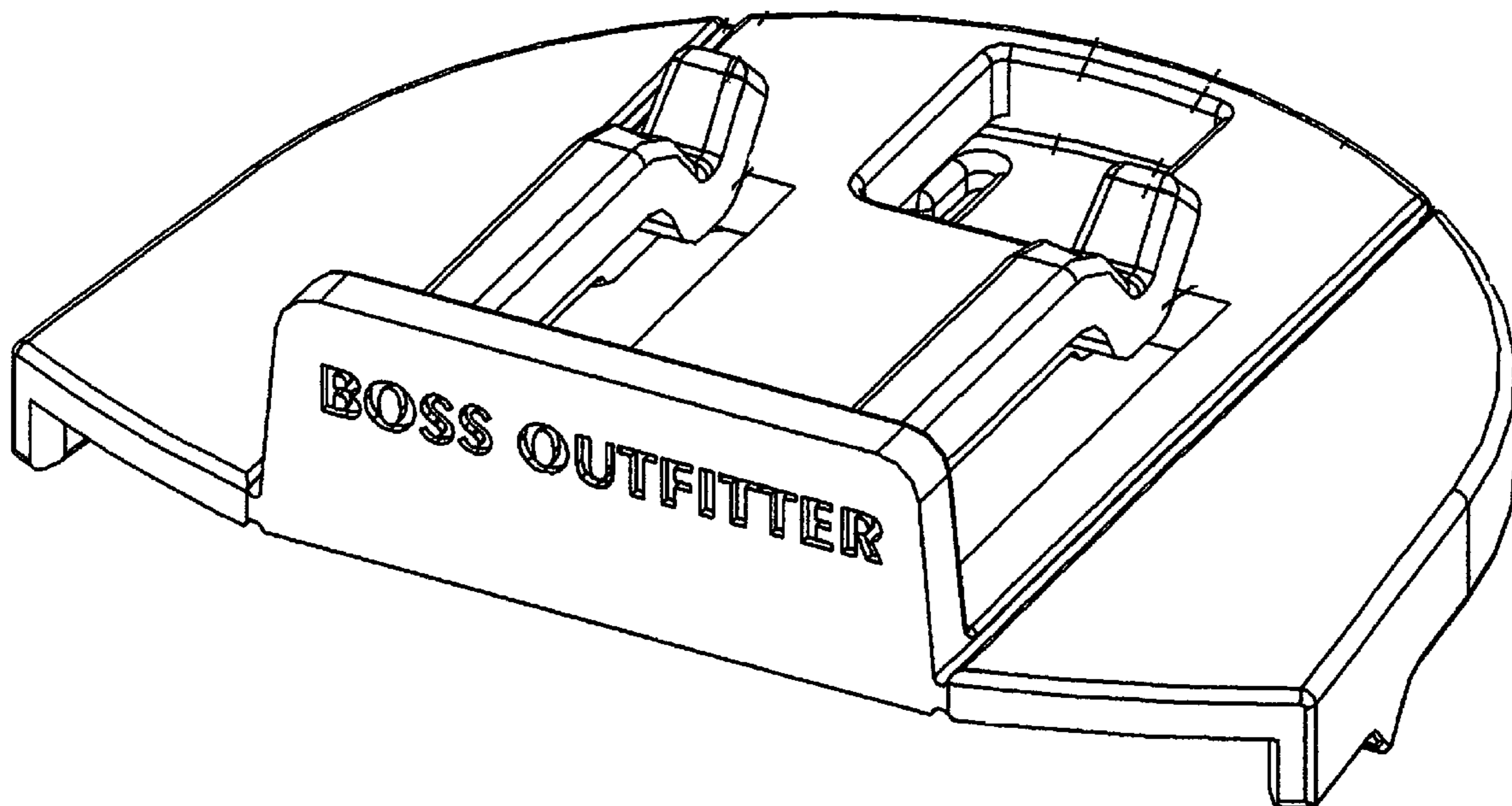
FIG. 5 is a right side elevational view illustrating the clip
device for securing a diaphragm hunting call and the like;

FIG. 6 is an front elevational view illustrating the clip device
for securing a diaphragm hunting call and the like;

FIG. 7 is an rear elevational view illustrating the clip device
for securing a diaphragm hunting call and the like; and,

FIG. 8 is a left side elevational view illustrating the clip device
for securing a diaphragm hunting call and the like.

1 Claim, 8 Drawing Sheets



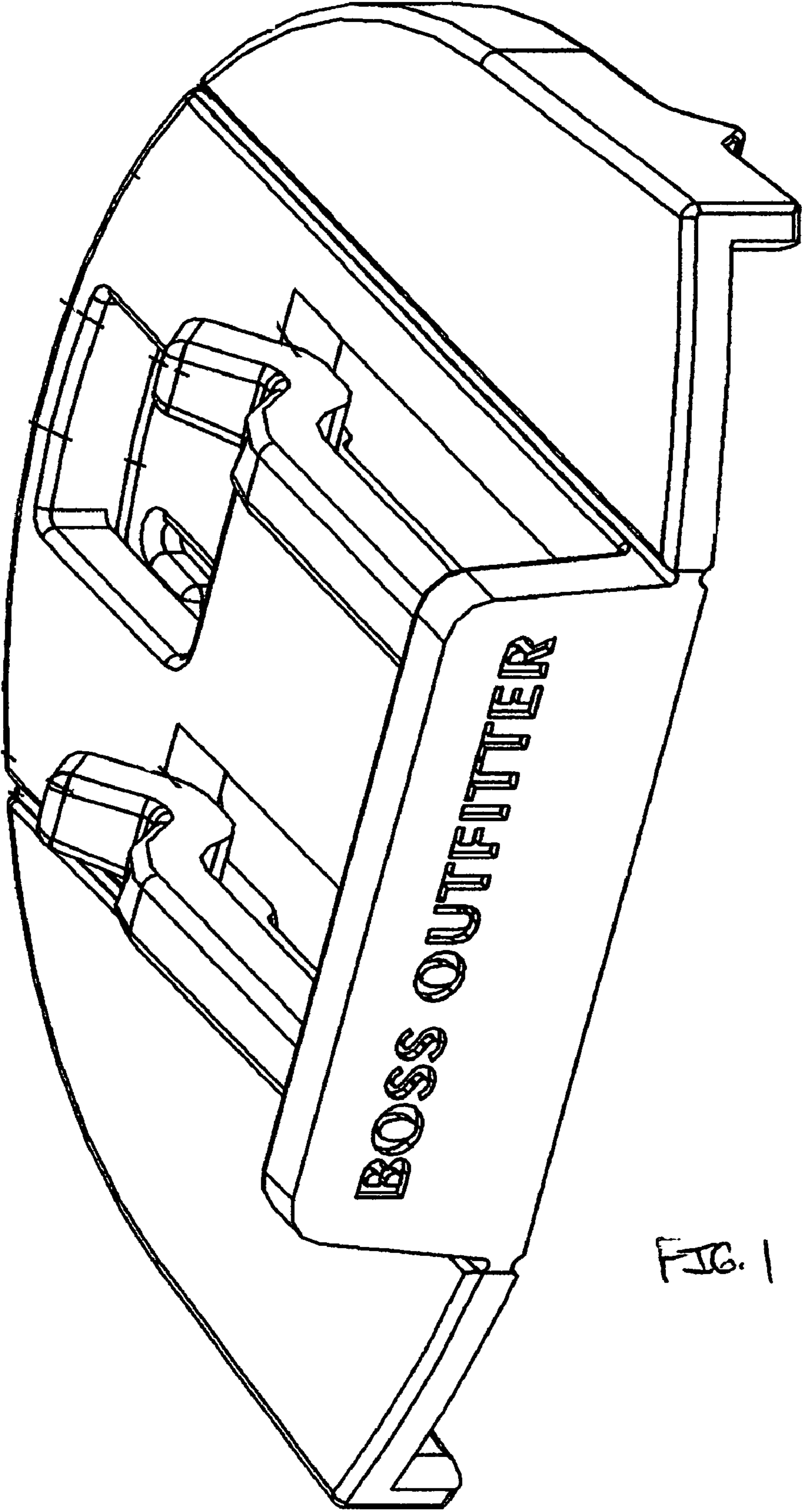


FIG. 1

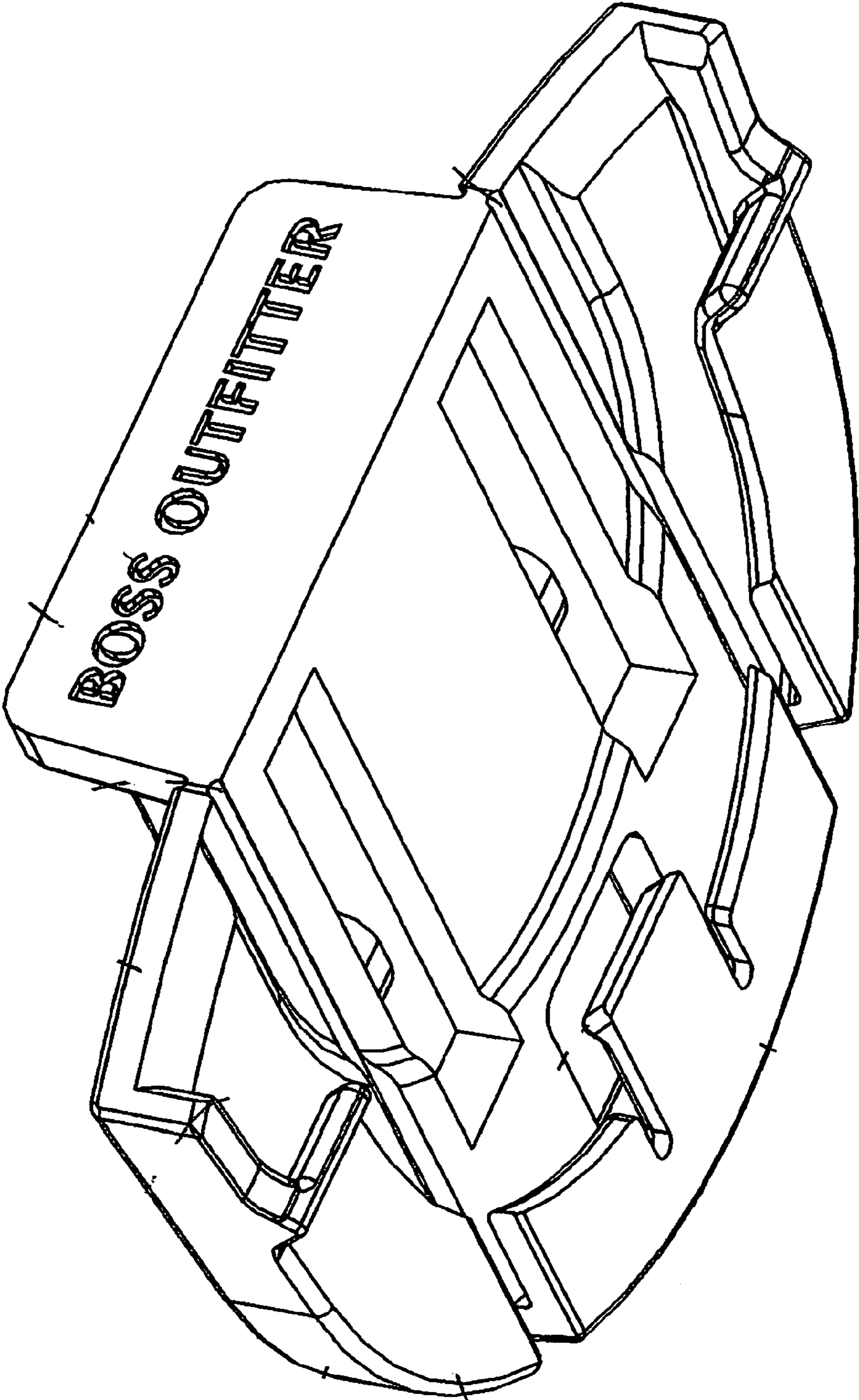


FIG. 2

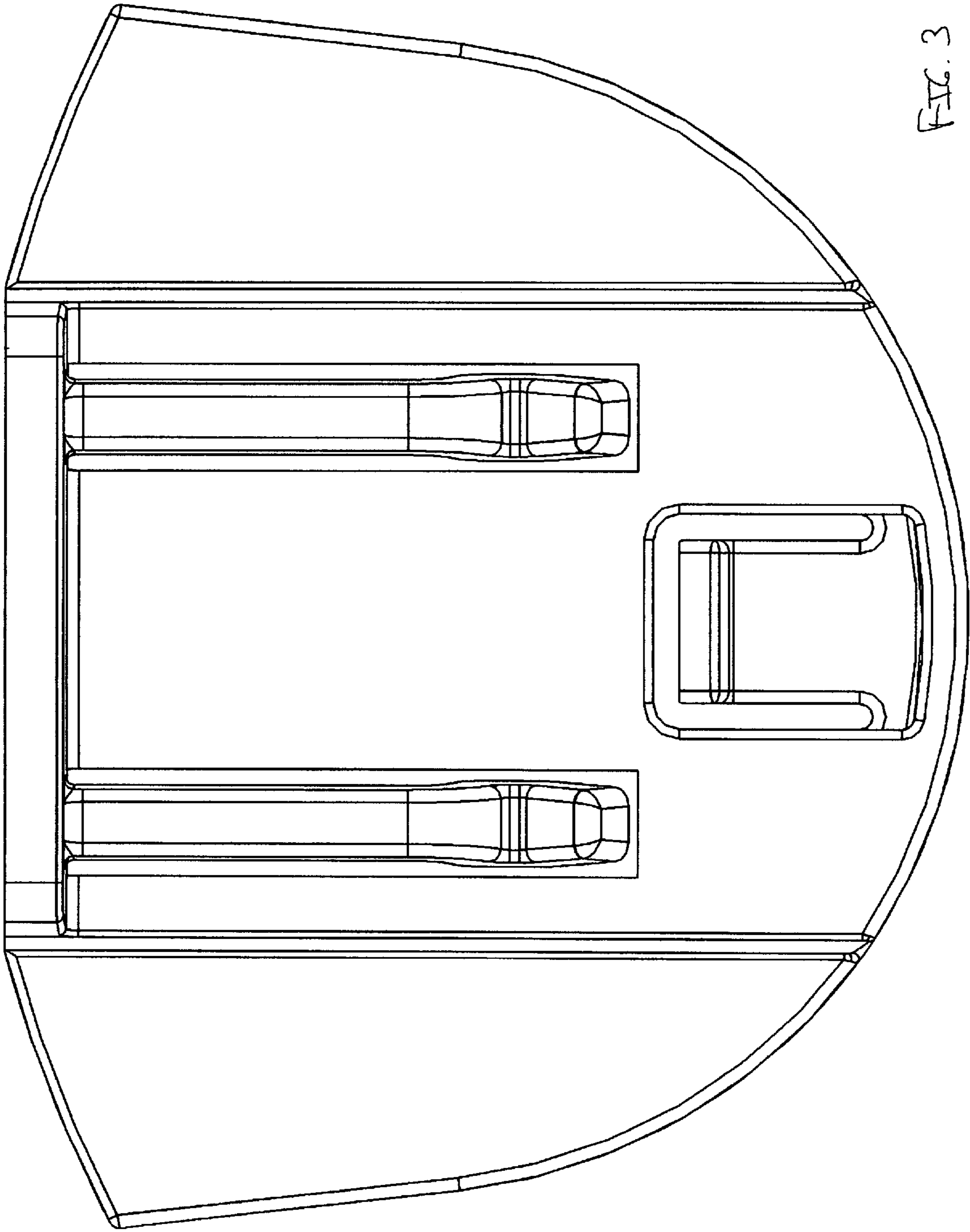


FIG. 3

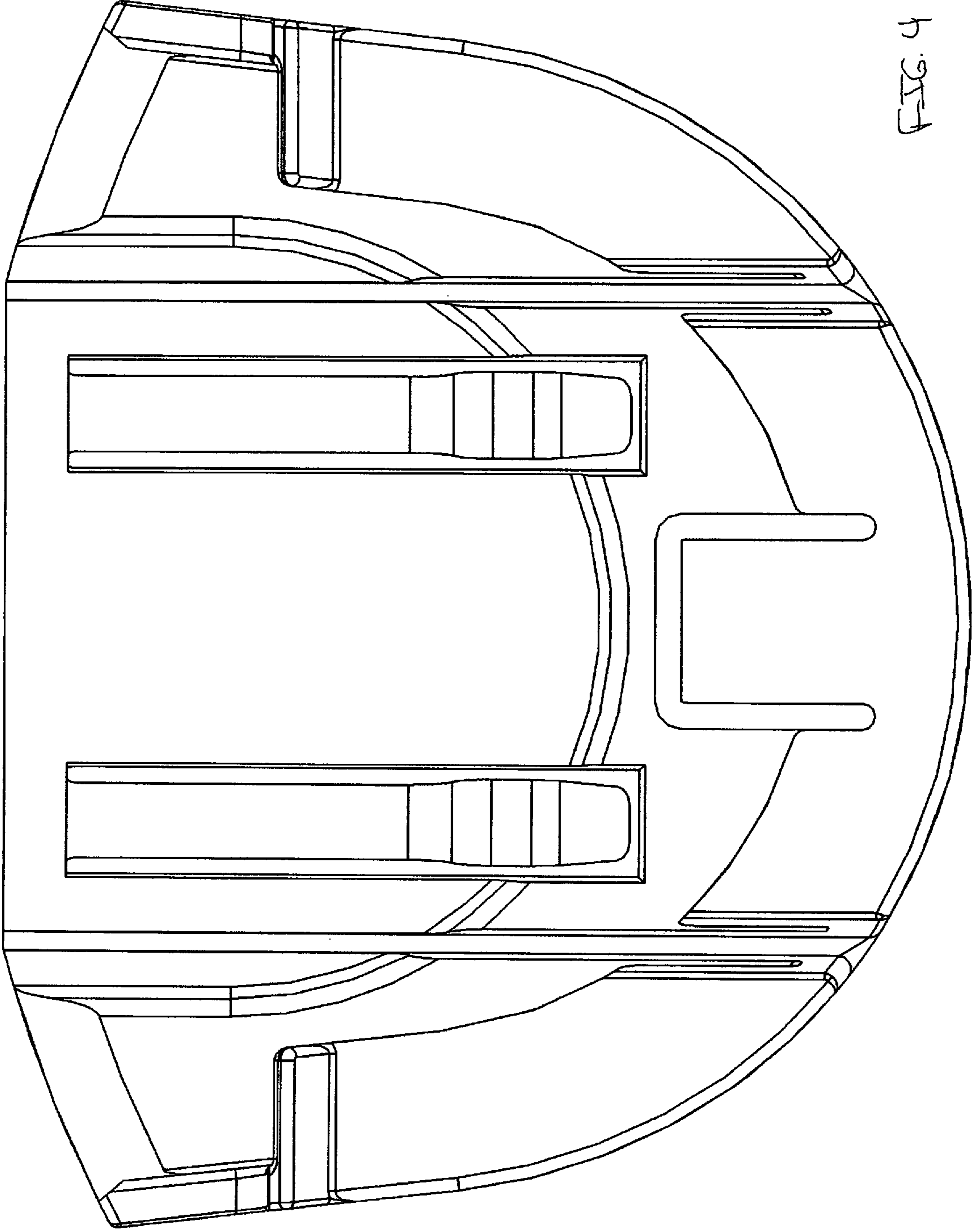


FIG. 4

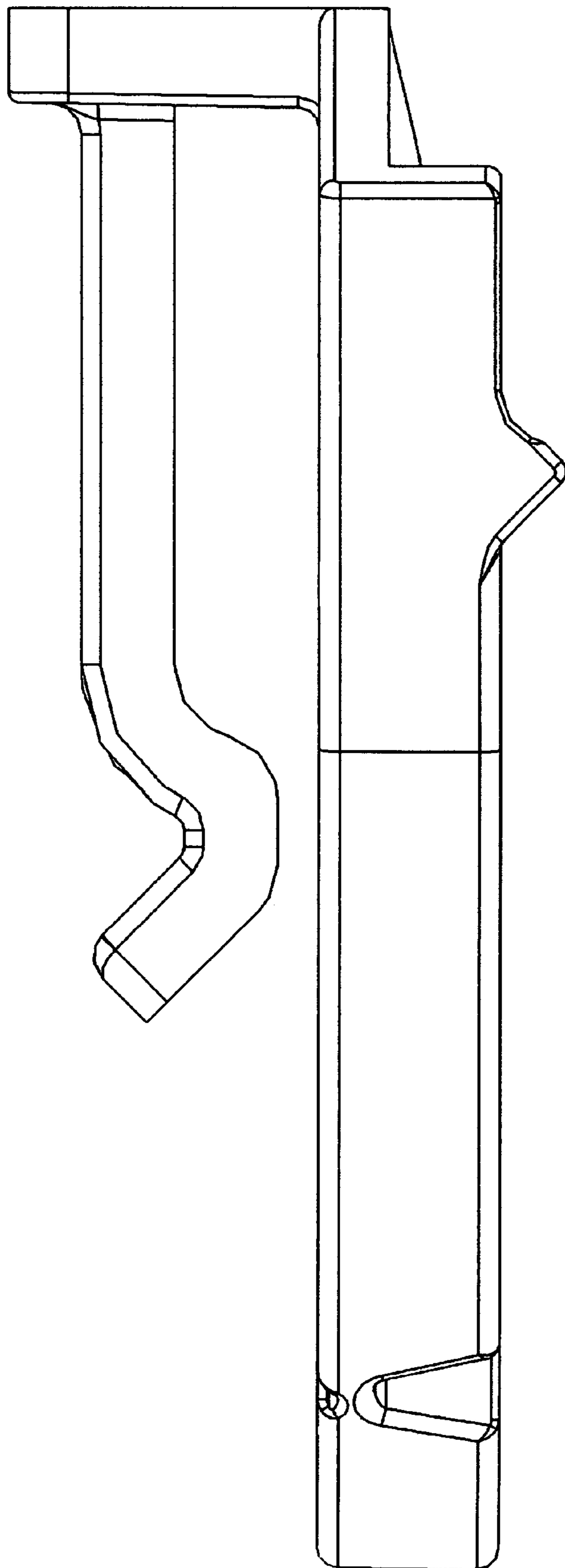


FIG. 5

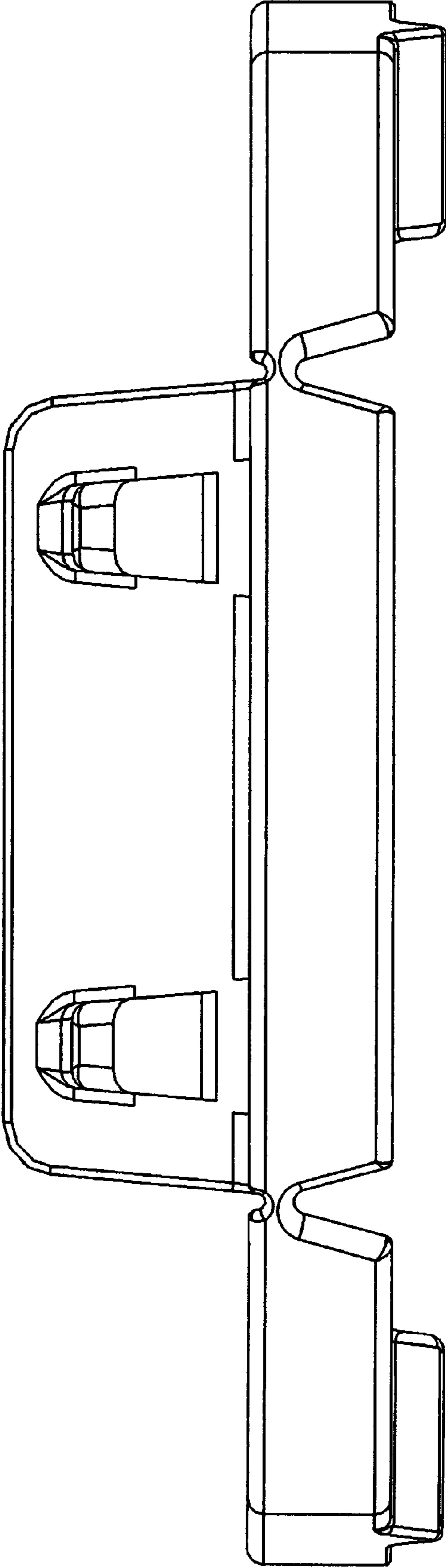


FIG. 6

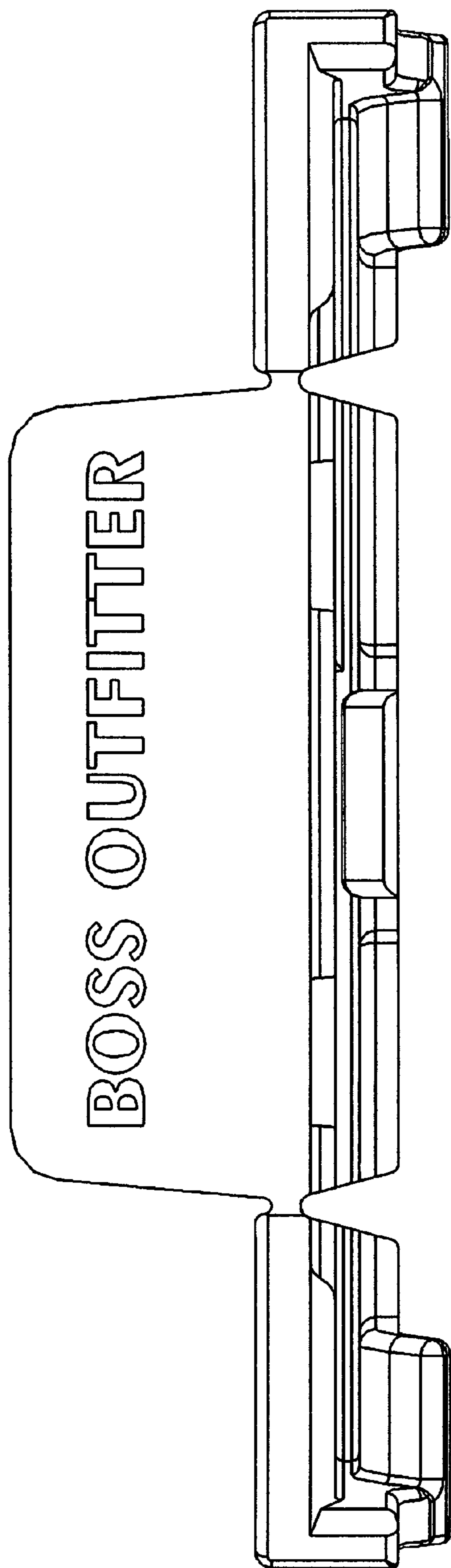


FIG. 7

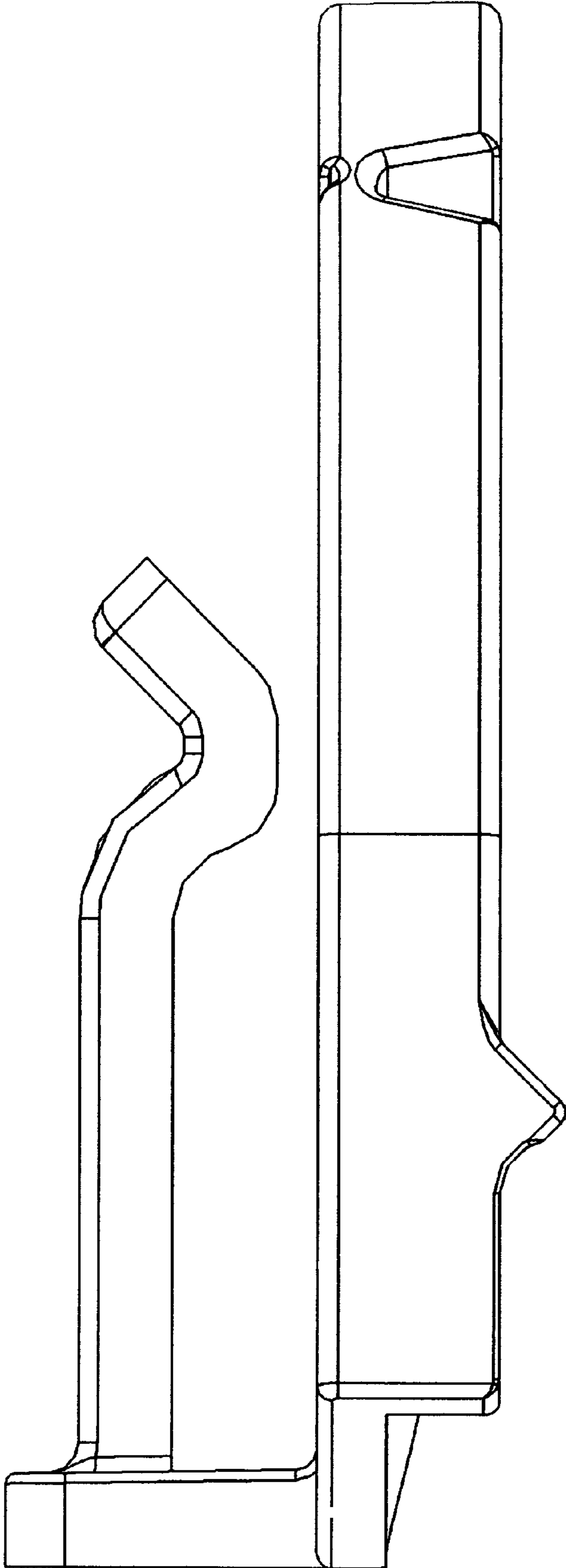


FIG. 8