



US00D596393S

(12) **United States Design Patent**
Leung et al.

(10) **Patent No.:** **US D596,393 S**
(45) **Date of Patent:** **** Jul. 21, 2009**

- (54) **HAND-HELD ELECTRONIC DEVICE
HOLSTER**
- (75) Inventors: **Kwok Ching Leung**, Richmond Hill
(CA); **Roman Rak**, Waterloo (CA)
- (73) Assignee: **Research in Motion Limited**, Waterloo
(CA)
- (**) Term: **14 Years**
- (21) Appl. No.: **29/322,333**
- (22) Filed: **Aug. 1, 2008**

- (51) **LOC (9) Cl.** **03-01**
- (52) **U.S. Cl.** **D3/218; D14/253; D14/217**
- (58) **Field of Classification Search** **D8/330,**
D8/331, 346, 349, 353; D3/20, 208, 215,
D3/218, 207, 318, 328; D28/76, 78; D14/149,
D14/203.1–203.8, 217, 224, 224.1, 238.1,
D14/341, 356, 358, 432, 434, 435, 447, 496,
D14/253; 320/107, 110, 113–115; 361/600,
361/679, 683, 686; 439/529, 534
See application file for complete search history.

(56) **References Cited**

U.S. PATENT DOCUMENTS

- D369,359 S * 4/1996 Wright et al. D14/253
- D497,714 S * 11/2004 To D3/218
- D499,544 S * 12/2004 Lodato et al. D3/218

- D502,313 S * 3/2005 Lodato et al. D3/218
- D517,310 S * 3/2006 Aron et al. D3/218
- D528,539 S * 9/2006 McClaude D14/253
- D529,713 S * 10/2006 Guyot et al. D3/218
- D565,290 S * 4/2008 Brandenburg et al. D3/218
- D580,925 S * 11/2008 McClaude D14/253
- D585,897 S * 2/2009 Carnevali D14/434

* cited by examiner

Primary Examiner—Stella M Reid
Assistant Examiner—Keli L Hill

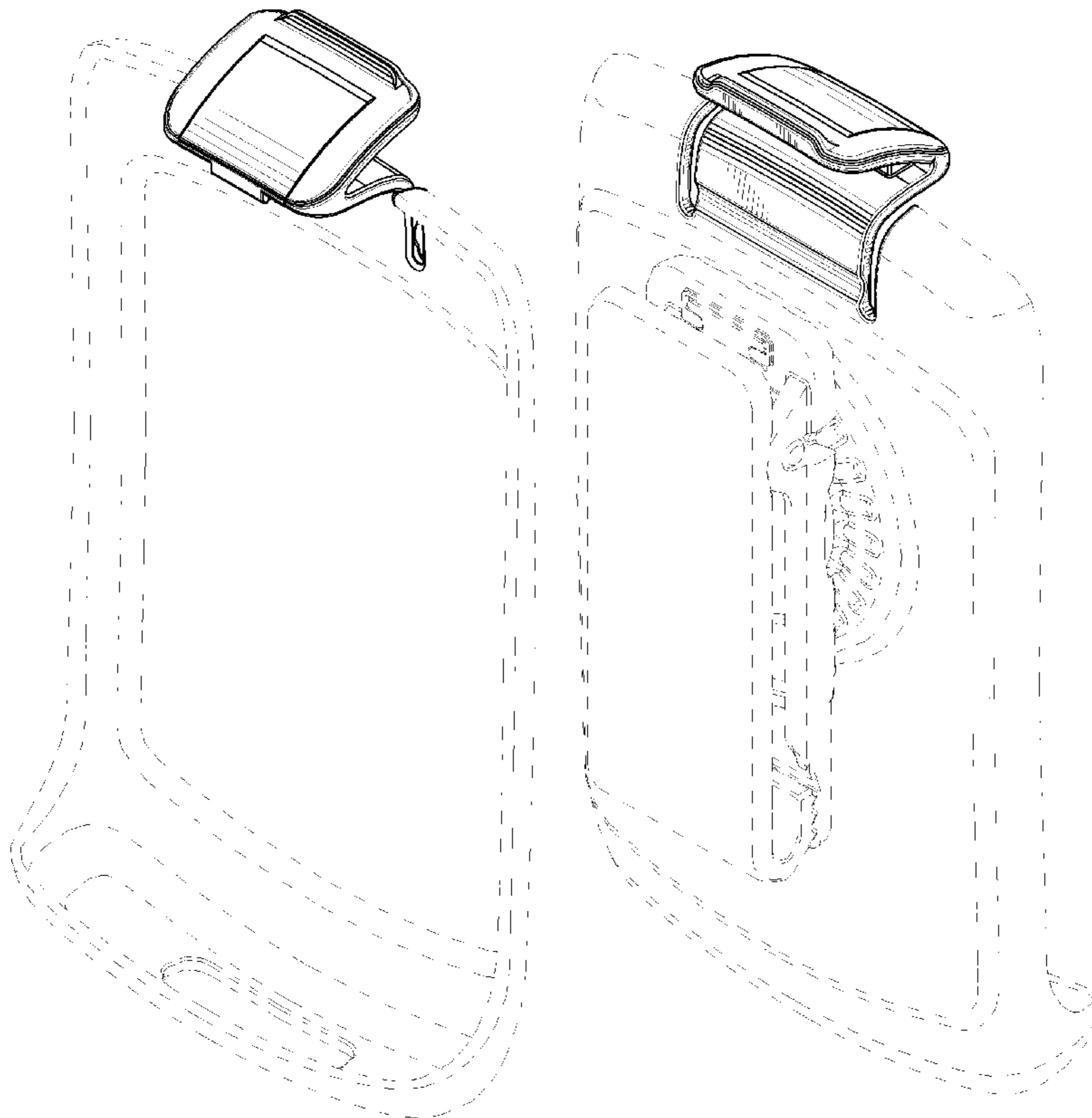
(57) **CLAIM**

We claim the ornamental design for a hand-held electronic device holster, as shown and described.

DESCRIPTION

- FIG. 1 is a front perspective view of a latch on a hand-held electronic device holster, embodying our new design;
- FIG. 2 is a front elevation view thereof;
- FIG. 3 is a rear perspective elevation view thereof;
- FIG. 4 is a rear elevation view thereof;
- FIG. 5 is a right side elevation view thereof;
- FIG. 6 is a left side elevation view thereof;
- FIG. 7 is a top plan view thereof; and,
- FIG. 8 is a bottom plan view thereof.

1 Claim, 6 Drawing Sheets



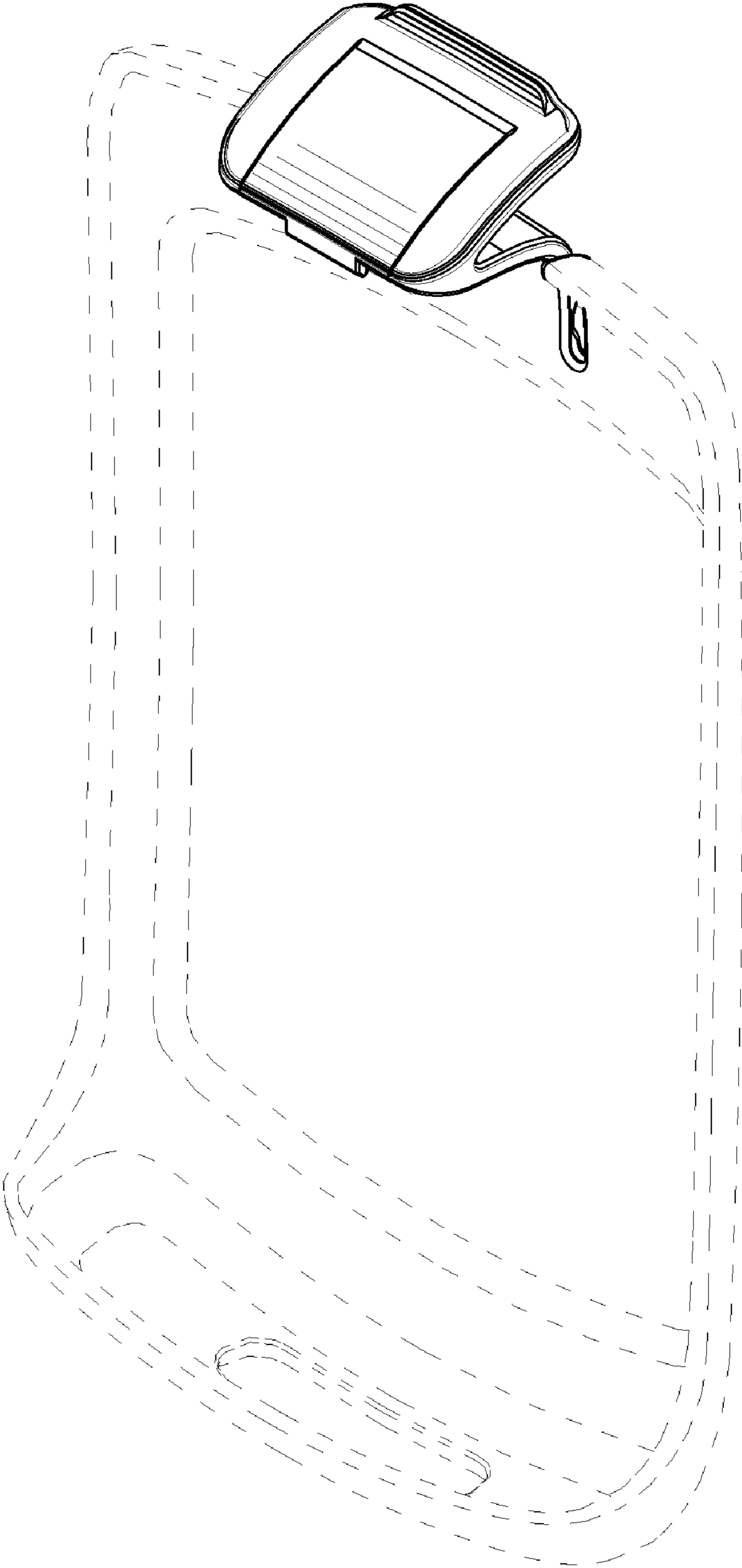


FIG.1

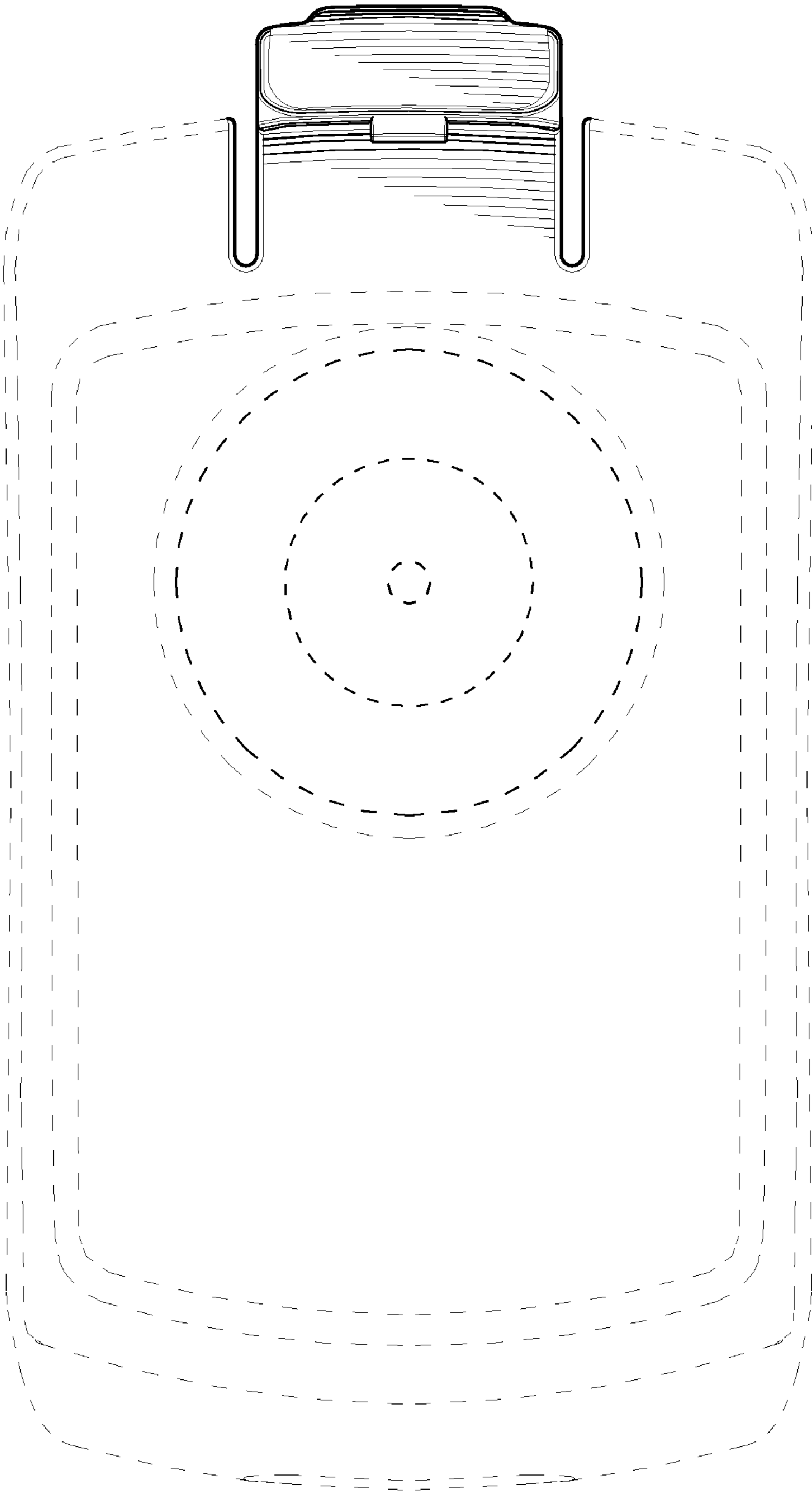


FIG.2

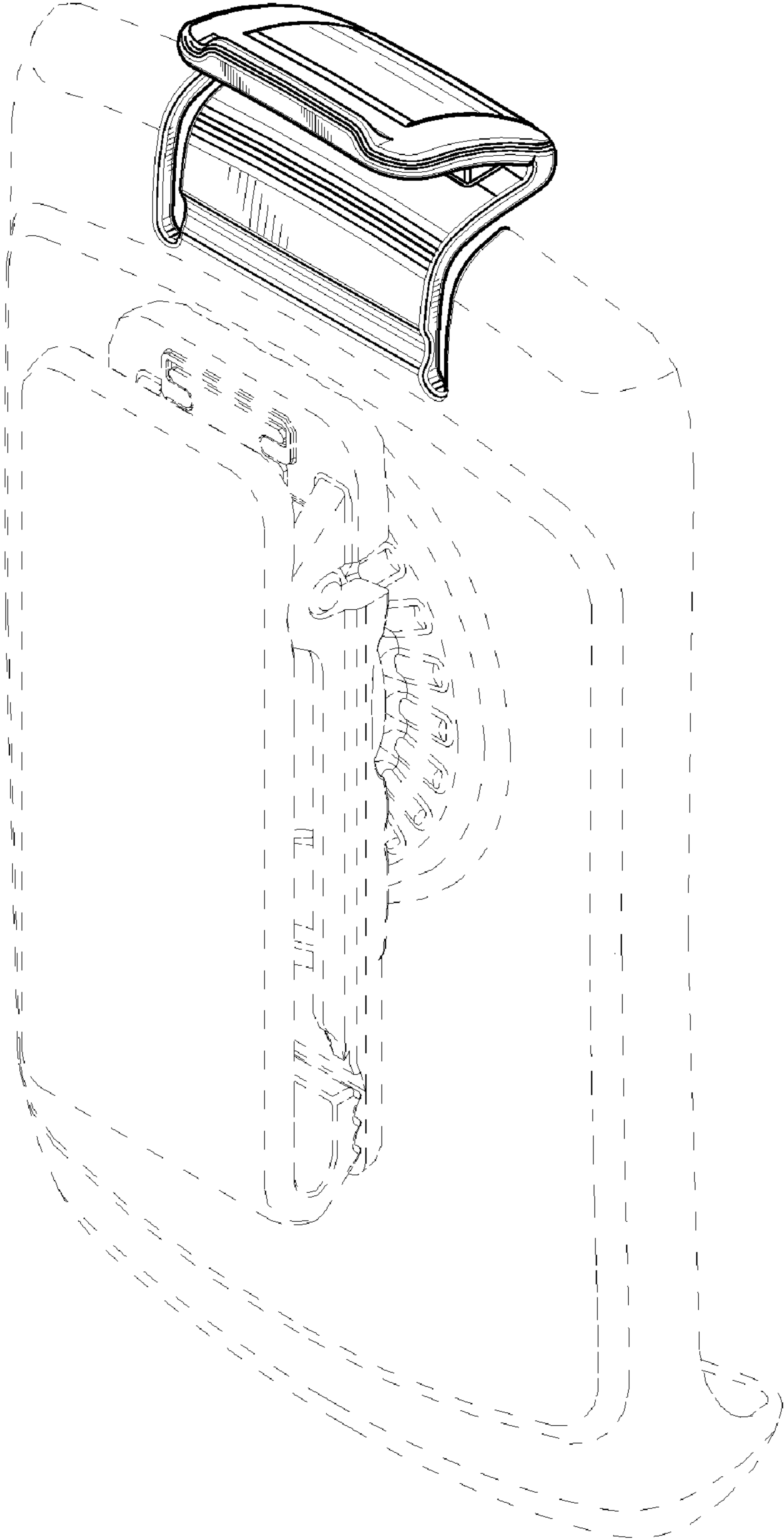


FIG.3

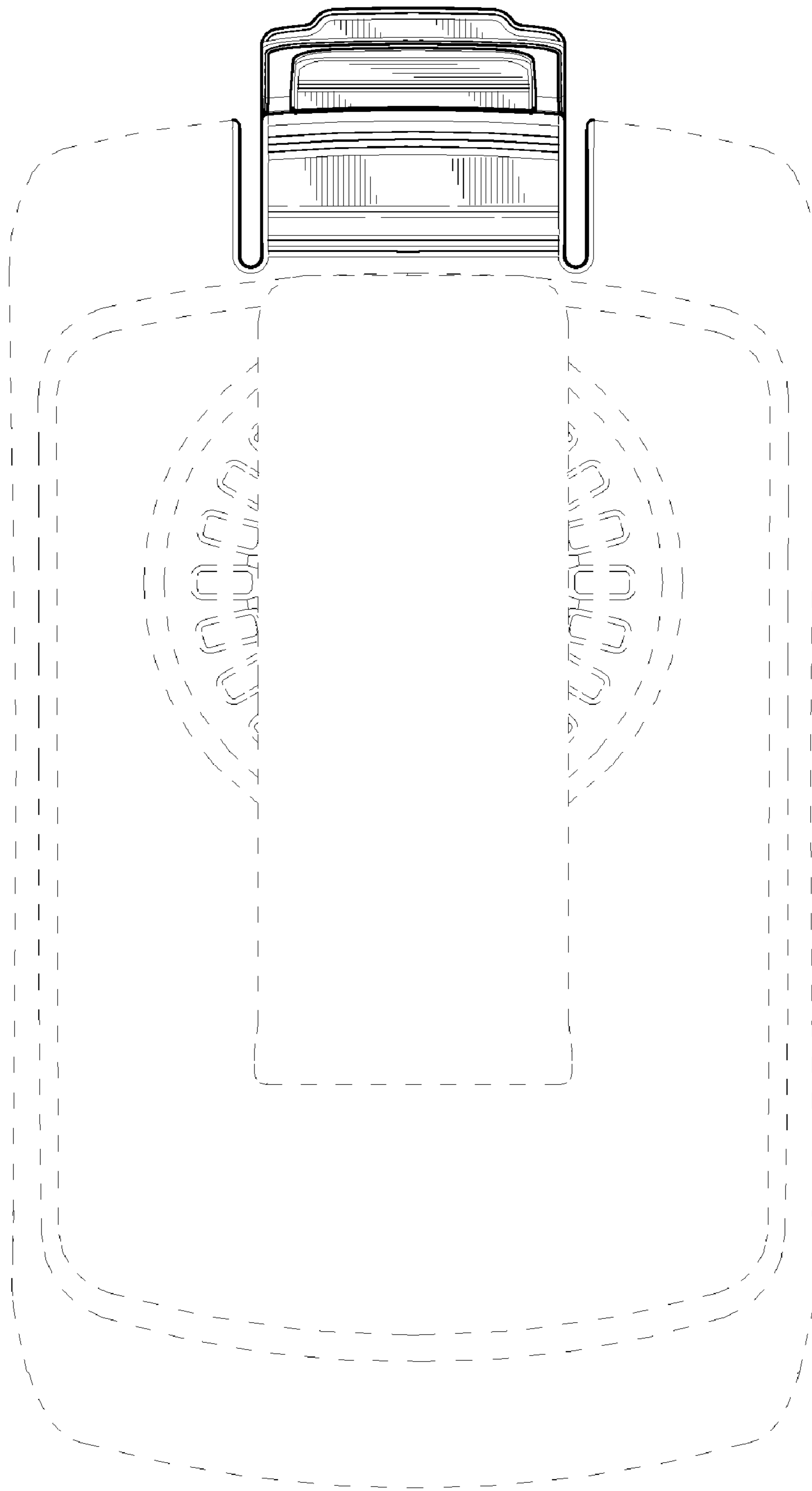


FIG.4



FIG.5

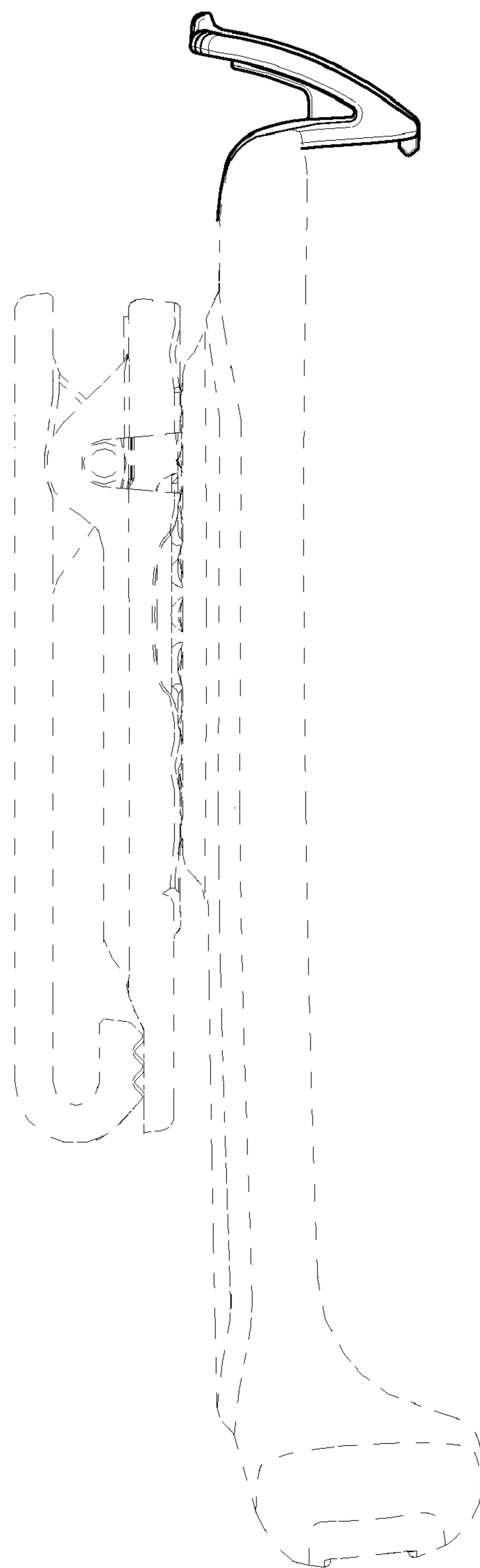


FIG.6

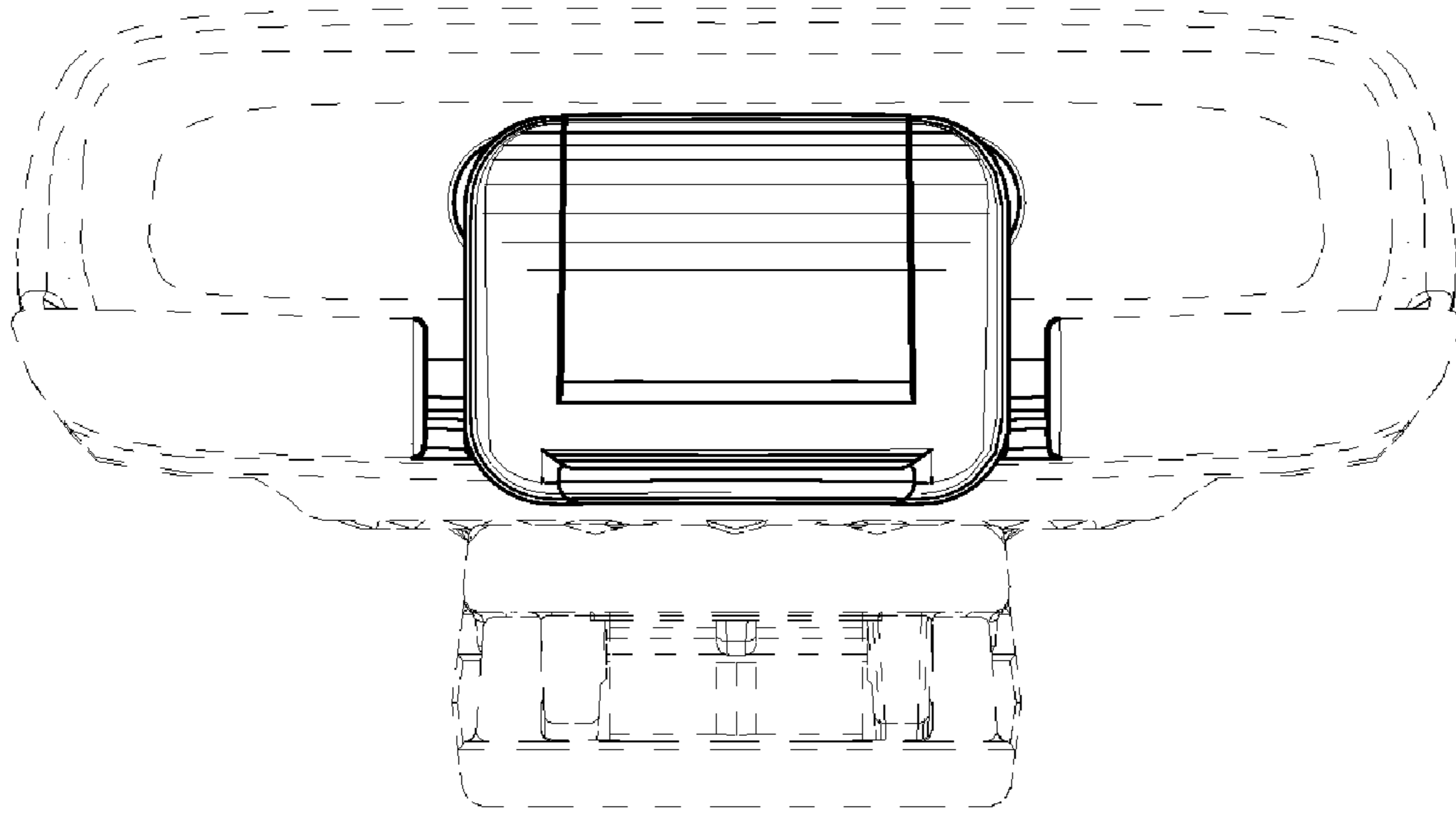


FIG. 7

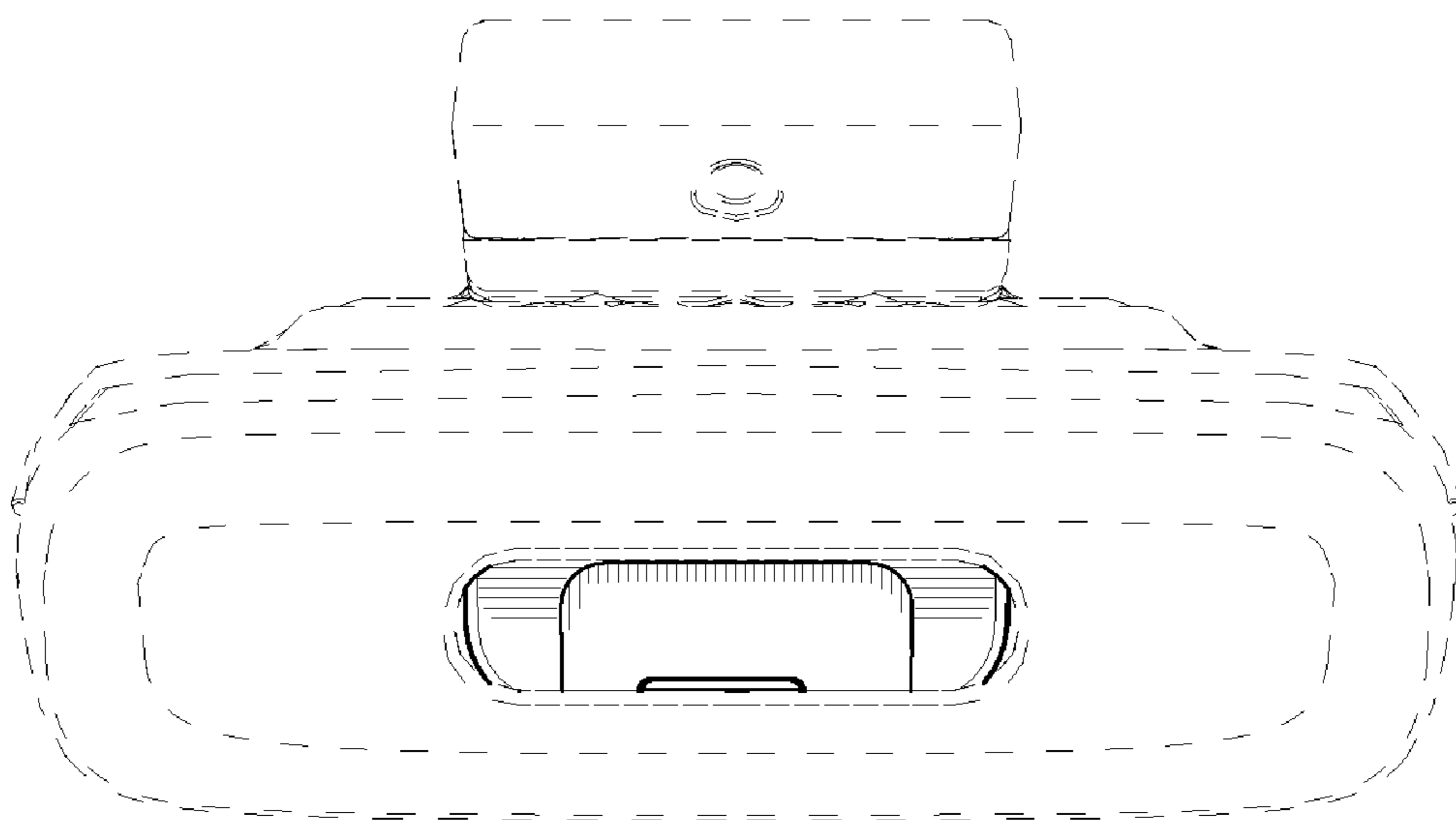


FIG. 8