

US00D596392S

(12) **United States Design Patent**  
**Cohen**

(10) **Patent No.:** **US D596,392 S**

(45) **Date of Patent:** **\*\* Jul. 21, 2009**

(54) **COMBINED KEY CHAIN AND DISPENSER**

D574,145 S \* 8/2008 Phillips ..... D3/208

(76) Inventor: **Harris Cohen**, 7337 Draper Ave., La Jolla, CA (US) 92037

\* cited by examiner

*Primary Examiner*—R. Seifert  
(74) *Attorney, Agent, or Firm*—Sherr & Vaughn, PLLC

(\*\*) Term: **14 Years**

(21) Appl. No.: **29/306,359**

(57) **CLAIM**

(22) Filed: **Apr. 8, 2008**

The ornamental design for a combined key chain and dispenser, as shown.

(51) **LOC (9) Cl.** ..... **03-01**

(52) **U.S. Cl.** ..... **D3/208**

(58) **Field of Classification Search** ..... D3/207–212;  
D11/31–33, 44, 48–51, 66; 70/456 R, 456 B,  
70/457–460; 24/3.6; D13/168; 362/116;  
D8/348

See application file for complete search history.

**DESCRIPTION**

FIG. 1 illustrates a front elevation view of a combined key chain and dispenser;

FIG. 2 illustrates a rear elevation view of FIG. 1;

FIG. 3 illustrates a top plan view of FIG. 1;

FIG. 4 illustrates a bottom plan view of FIG. 1;

FIG. 5 illustrates a left side plan view of FIG. 1; and,

FIG. 6 illustrates a right side plan view of FIG. 1.

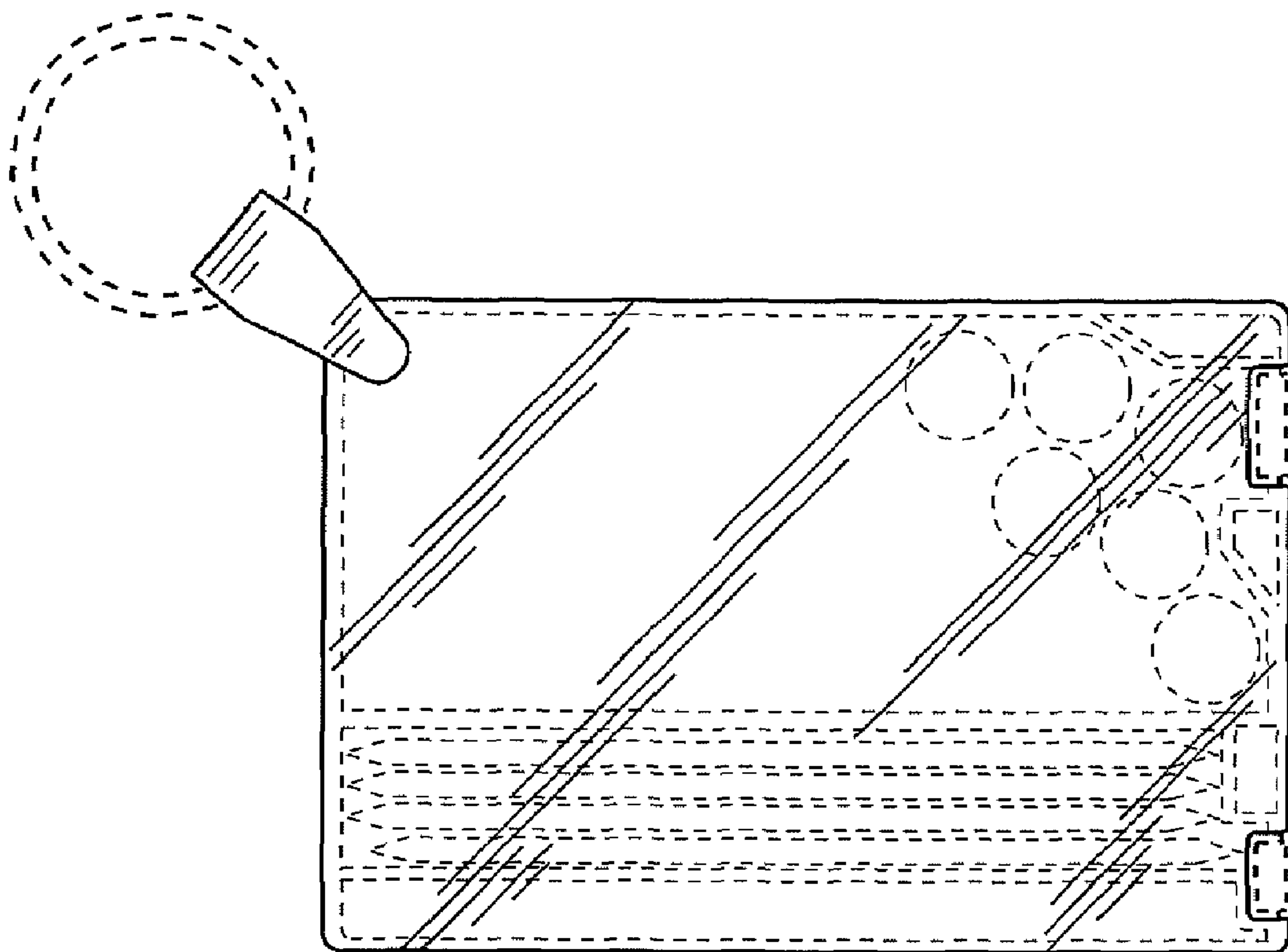
The broken line showing of environmental matter is for illustrative purposes only and forms no part of the claimed design.

(56) **References Cited**

**U.S. PATENT DOCUMENTS**

2,874,740	A *	2/1959	Magean, Jr.	.....	206/37.6
2,969,823	A *	1/1961	Sherwood	.....	206/37.6
D352,601	S *	11/1994	Dallaire	.....	D3/212
D370,119	S *	5/1996	McDaniel	.....	D3/208
D558,445	S *	1/2008	Phillips	.....	D3/208

**1 Claim, 2 Drawing Sheets**



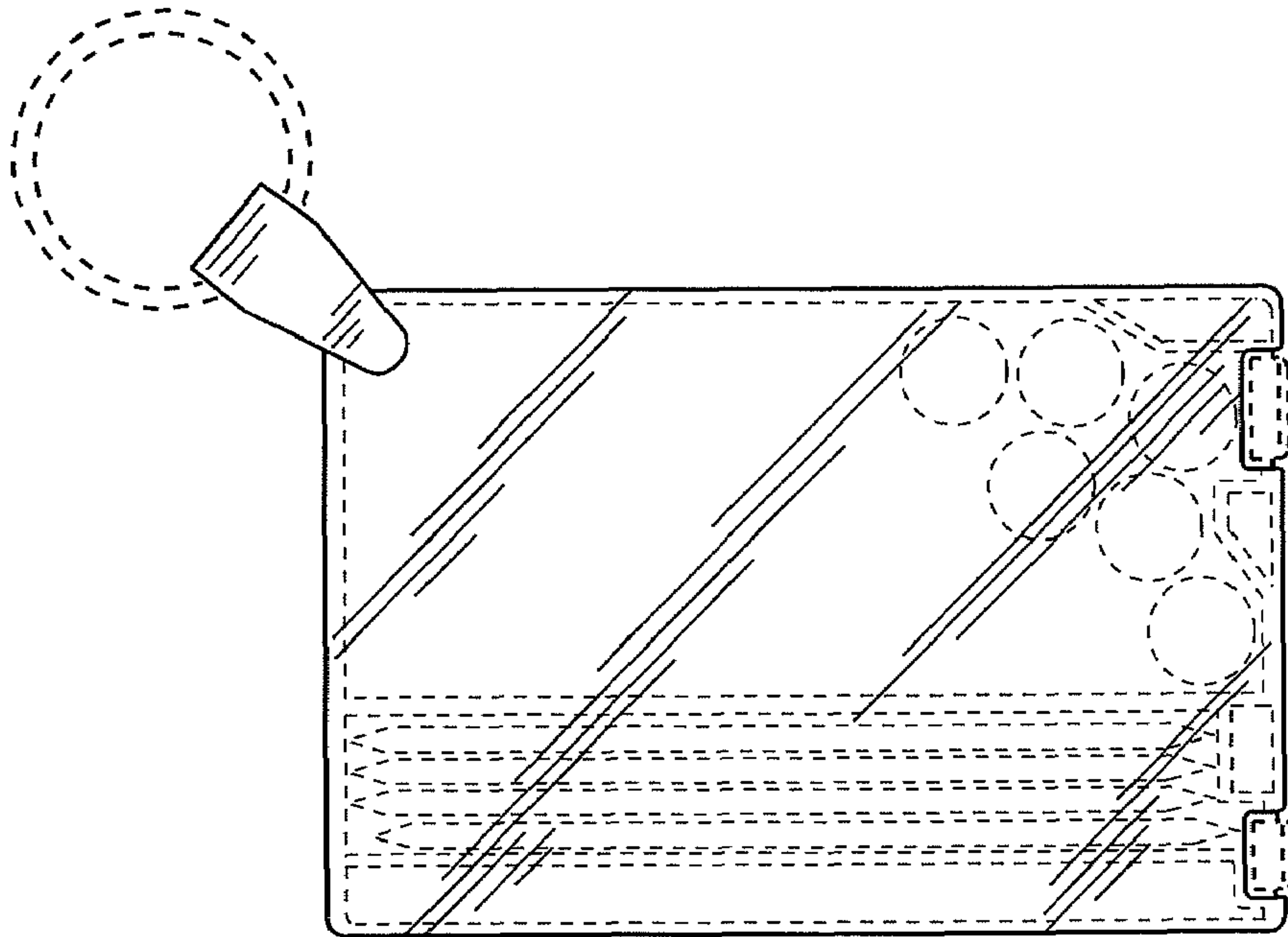


Fig. 1

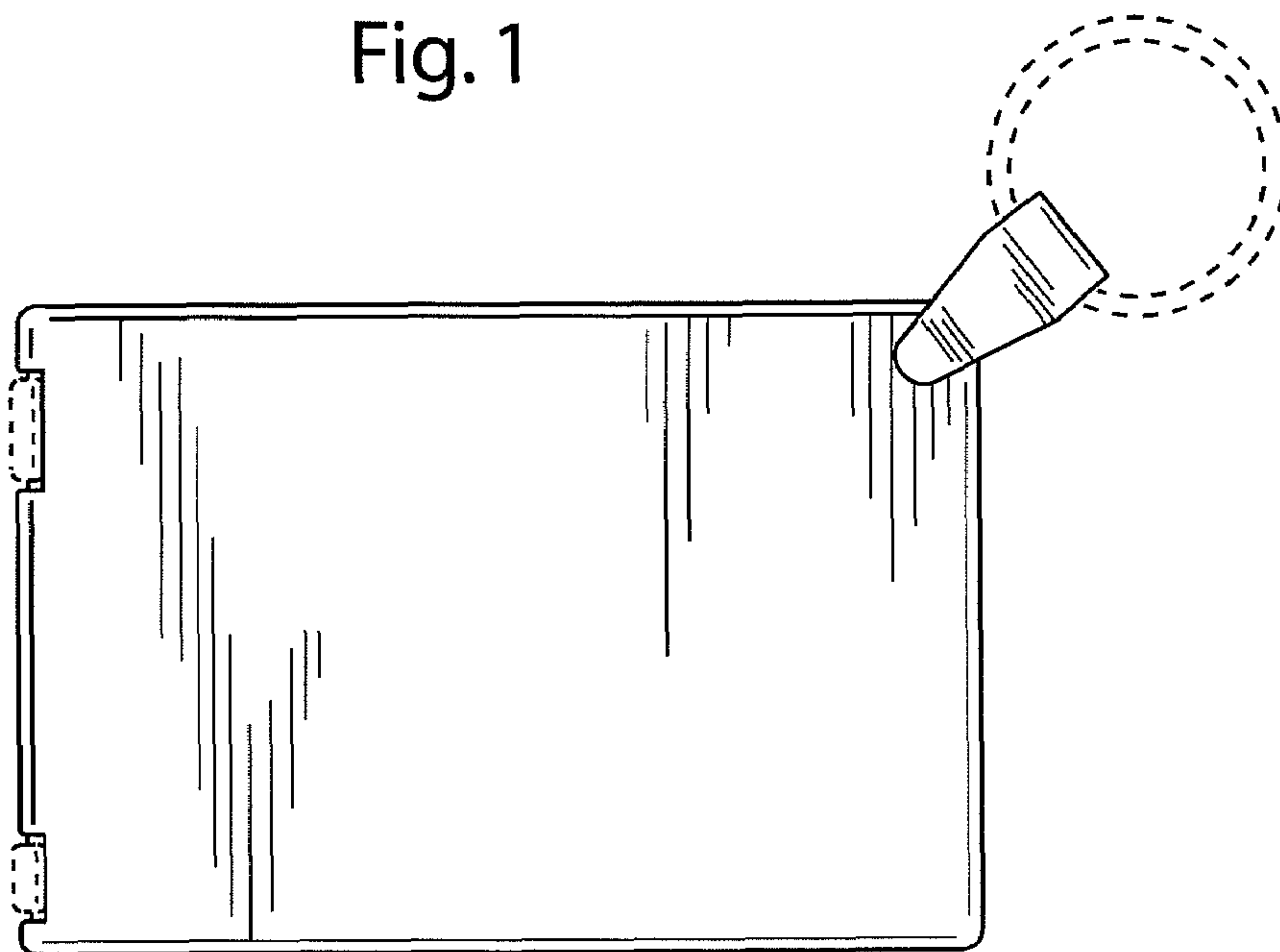


Fig. 2

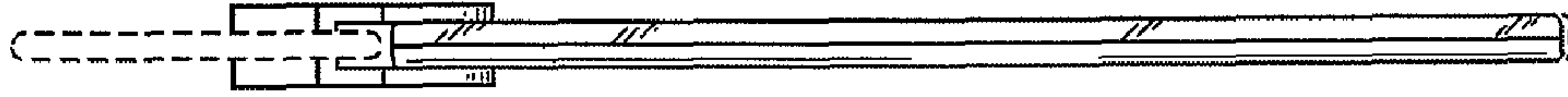


Fig. 3

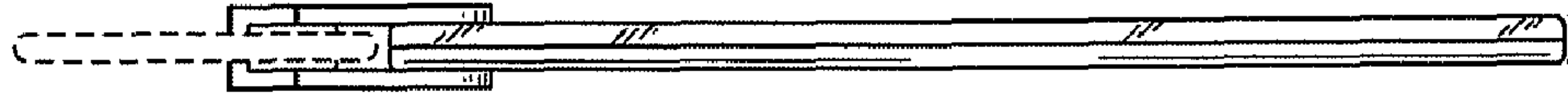


Fig. 4



Fig. 5

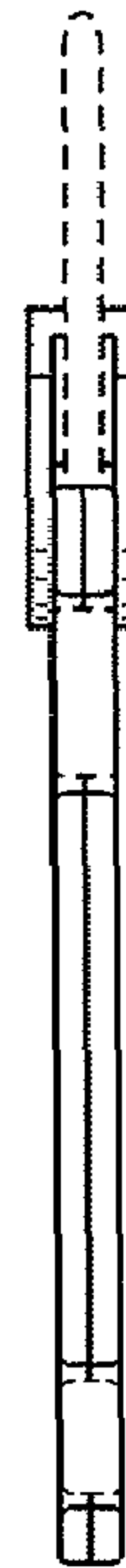


Fig. 6