

US00D596381S

(12) **United States Design Patent**  
**Pharis et al.**

(10) **Patent No.:** **US D596,381 S**  
(45) **Date of Patent:** **\*\* Jul. 21, 2009**

(54) **VISOR HAT**

(76) Inventors: **Melvin Pharis**, 2 Lake Forest Ct.,  
Trophy Club, TX (US) 76262; **Sue W.**  
**Pharis**, 2 Lake Forest Ct., Trophy Club,  
TX (US) 76262

(\*\*) Term: **14 Years**

(21) Appl. No.: **29/328,915**

(22) Filed: **Dec. 4, 2008**

(51) **LOC (9) Cl.** ..... **02-03**

(52) **U.S. Cl.** ..... **D2/876**

(58) **Field of Classification Search** ..... D2/865,  
D2/866, 871, 872, 873, 875, 876, 877, 878,  
D2/879, 880, 881, 882, 884, 886, 891, 892,  
D2/893, 894, 895; D28/41; 2/171, 171.04,  
2/171.4, 171.5, 171.6, 171.8, 172, 181, 175.1,  
2/175.3, 175.6, 175.7, 195.1, 195.2, 195.3,  
2/195.4, 195.7, 200.1, 200.2, 200.3, 204,  
2/205, 209.11, 209.12, 209.13

See application file for complete search history.

(56) **References Cited**

**U.S. PATENT DOCUMENTS**

1,581,750	A *	4/1926	Mantilla	.....	2/181
D117,761	S *	11/1939	Solash	.....	D2/877
D192,953	S *	5/1962	Zelony	.....	D24/207
D206,191	S *	11/1966	Lawrence	.....	D29/109
D285,021	S *	8/1986	Chandler	.....	D29/109
D319,240	S *	8/1991	Caulder	.....	D14/205
D347,723	S *	6/1994	Navis	.....	D2/871
D360,972	S *	8/1995	Bennett, Jr.	.....	D2/865
5,577,520	A *	11/1996	Sluder	.....	132/214
D423,194	S *	4/2000	Shwartz	.....	D2/876
6,158,055	A *	12/2000	Park	.....	2/195.1
D447,318	S *	9/2001	Gath	.....	D2/876
6,634,030	B2 *	10/2003	Park	.....	2/195.6

D492,471	S *	7/2004	Park	.....	D2/893
D507,092	S *	7/2005	Kim	.....	D2/876
D529,262	S *	10/2006	Yan	.....	D2/876
D534,711	S *	1/2007	Kim	.....	D2/893
7,191,702	B2 *	3/2007	Kercher	.....	101/129

\* cited by examiner

*Primary Examiner*—Elizabeth A Albert  
*Assistant Examiner*—Karen E Eldridge Powers  
(74) *Attorney, Agent, or Firm*—Wilson Daniel Swayze, Jr.

(57) **CLAIM**

The ornamental design for a visor hat, as shown and described.

**DESCRIPTION**

The nature and intended use of the visor hat is for use in outdoor activities.

The present invention is related to a utility application entitled the visor hat which has been filed by the inventor on Sep. 23, 2008 with a Ser. No. of 12/235,700.

FIG. 1 is a perspective view of a visor hat according to our new design;

FIG. 2 is a top plan view thereof;

FIG. 3 is a bottom plan view thereof;

FIG. 4 is a front elevation view thereof;

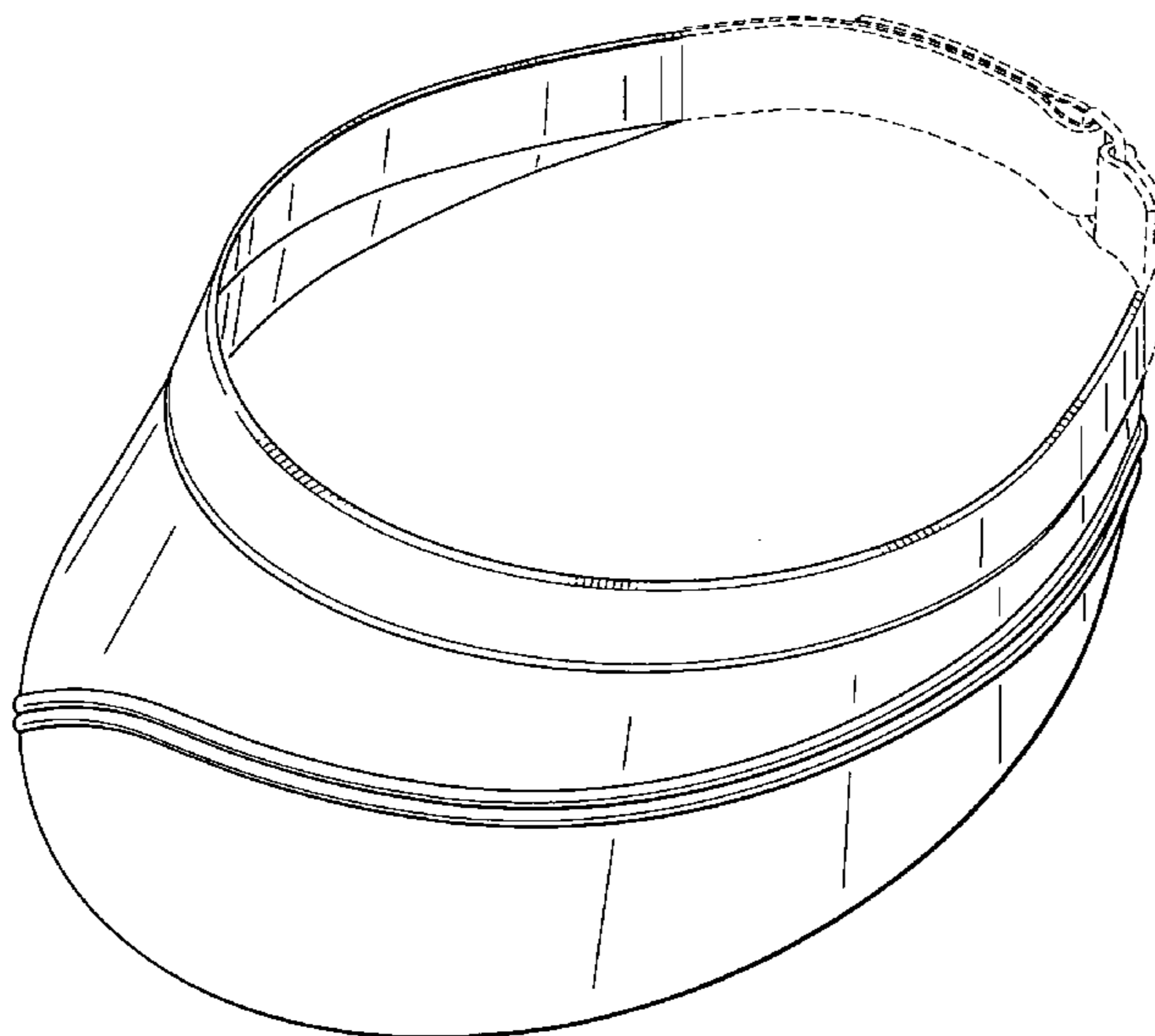
FIG. 5 is a rear elevation view thereof;

FIG. 6 is a first side elevation view thereof; and,

FIG. 7 is an opposite side elevation view of the design as shown in FIG. 6.

The broken lines showing the size adjustment portion and part of the rear of the headband in FIGS. 1–7 illustrate environmental matter and form no part of the claimed design.

**1 Claim, 5 Drawing Sheets**



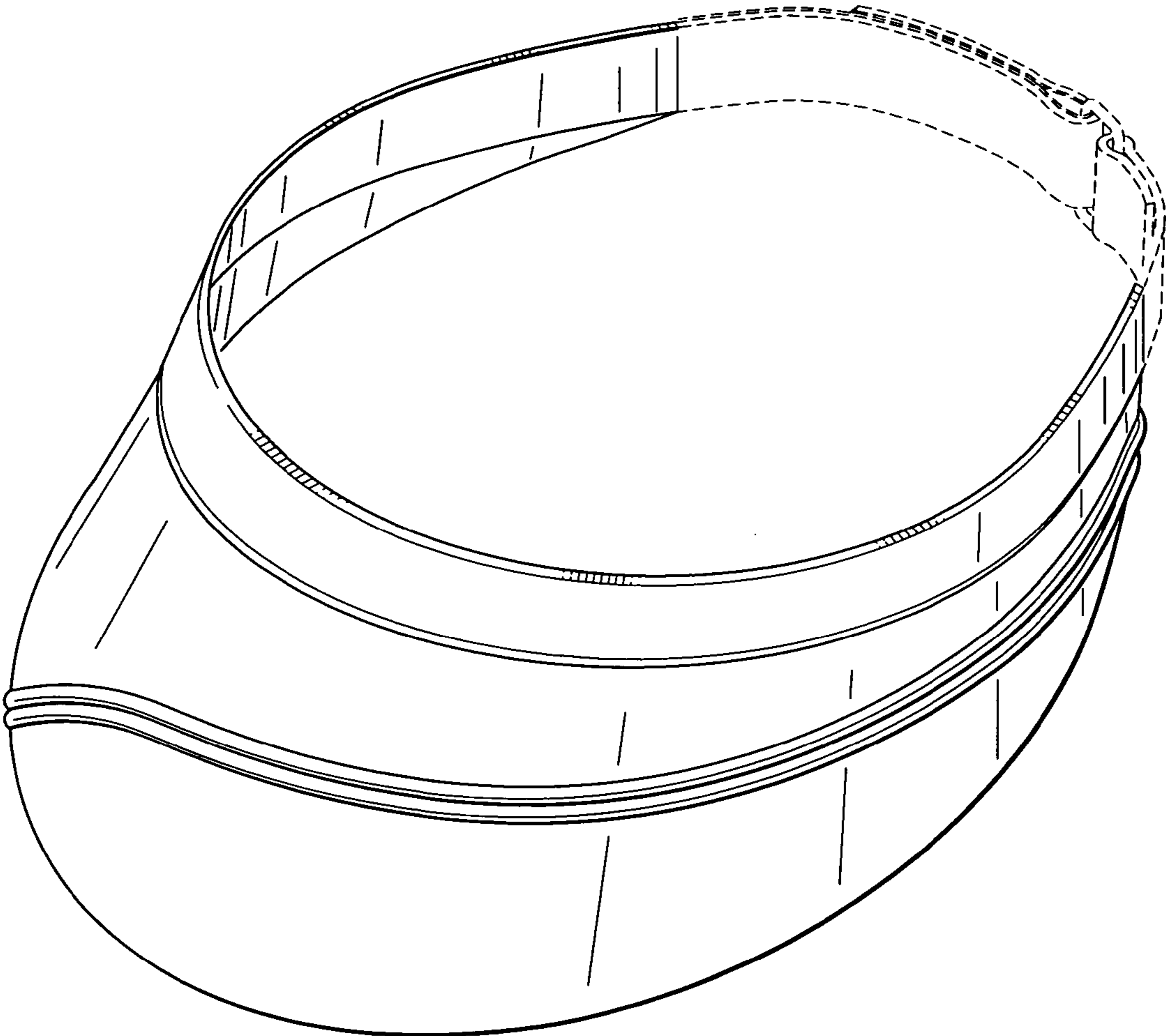


FIG. 1

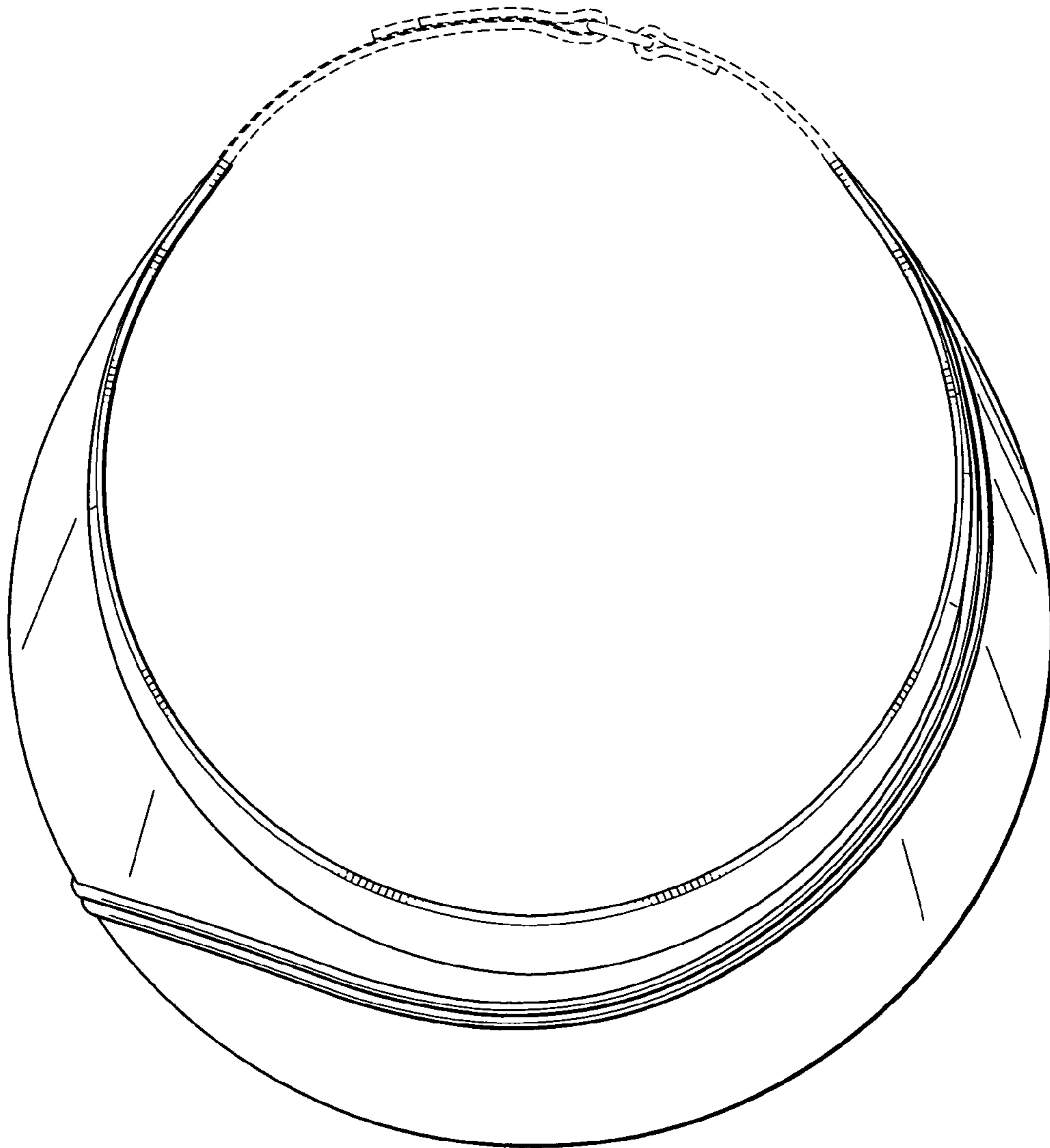


FIG. 2

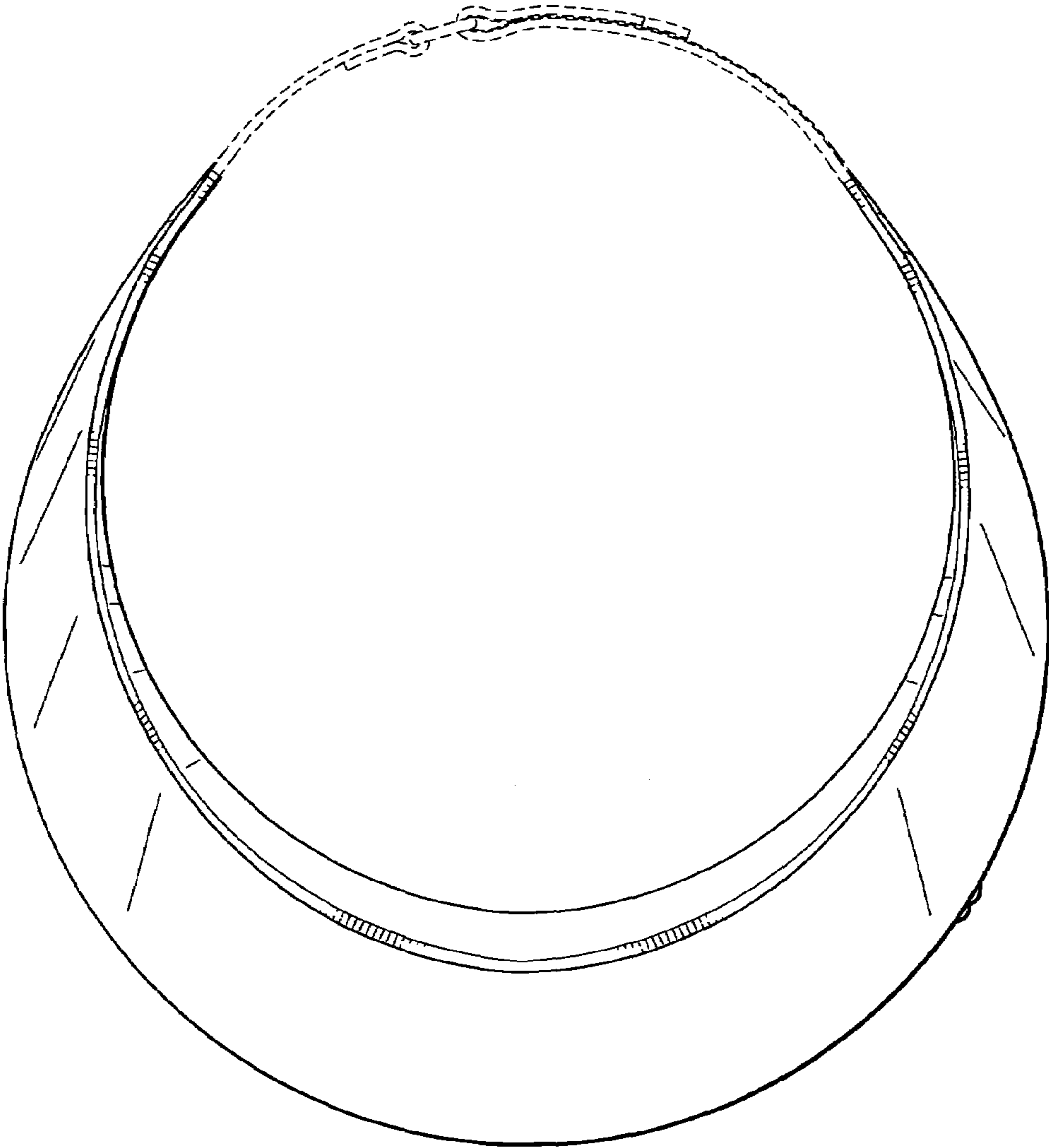


FIG. 3

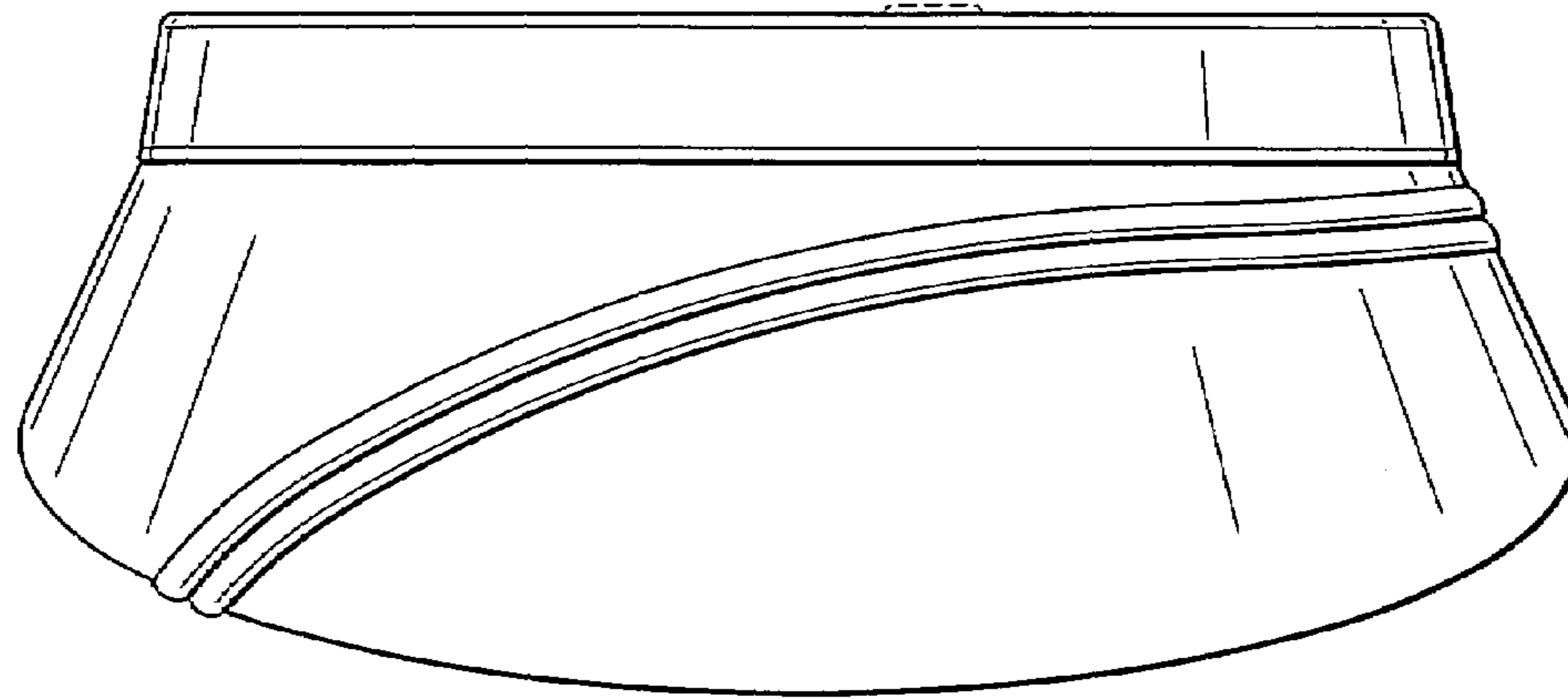


FIG. 4

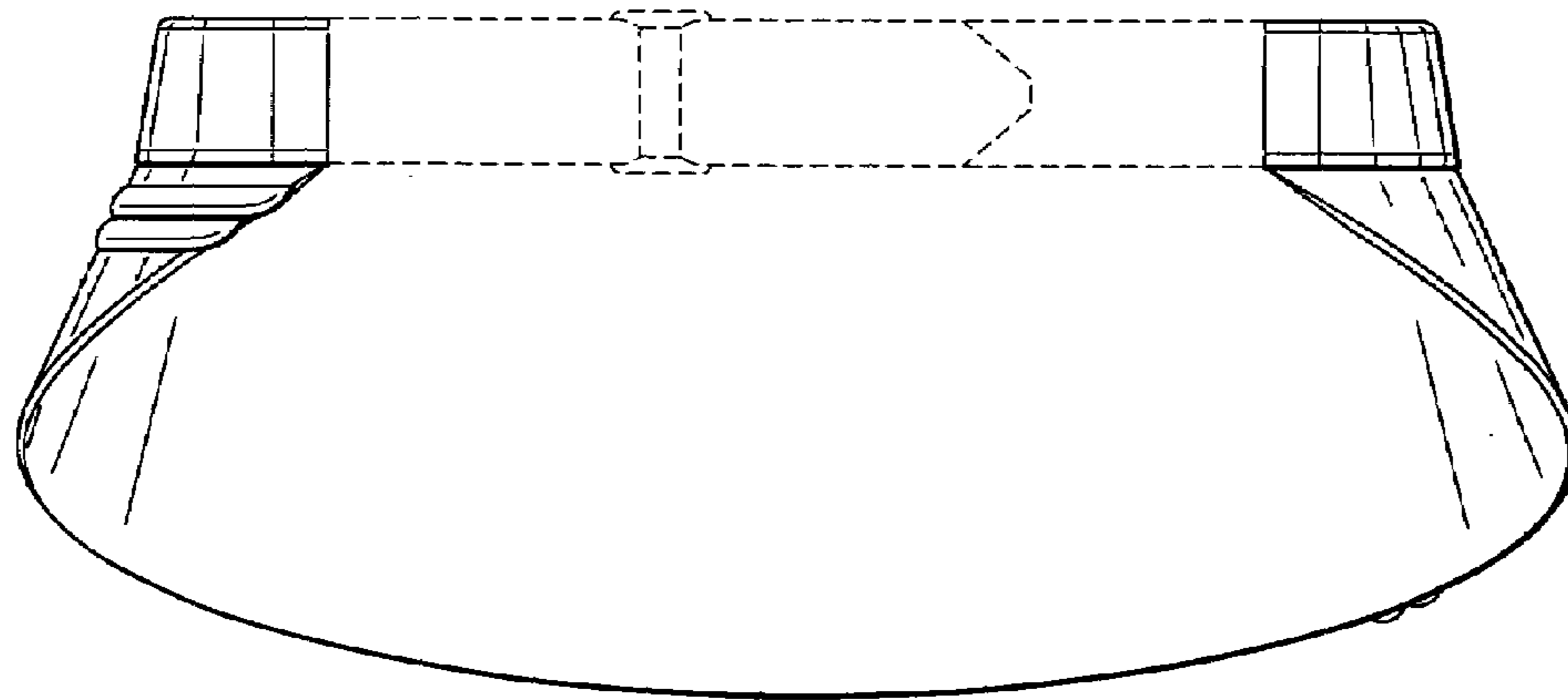


FIG. 5

FIG. 6

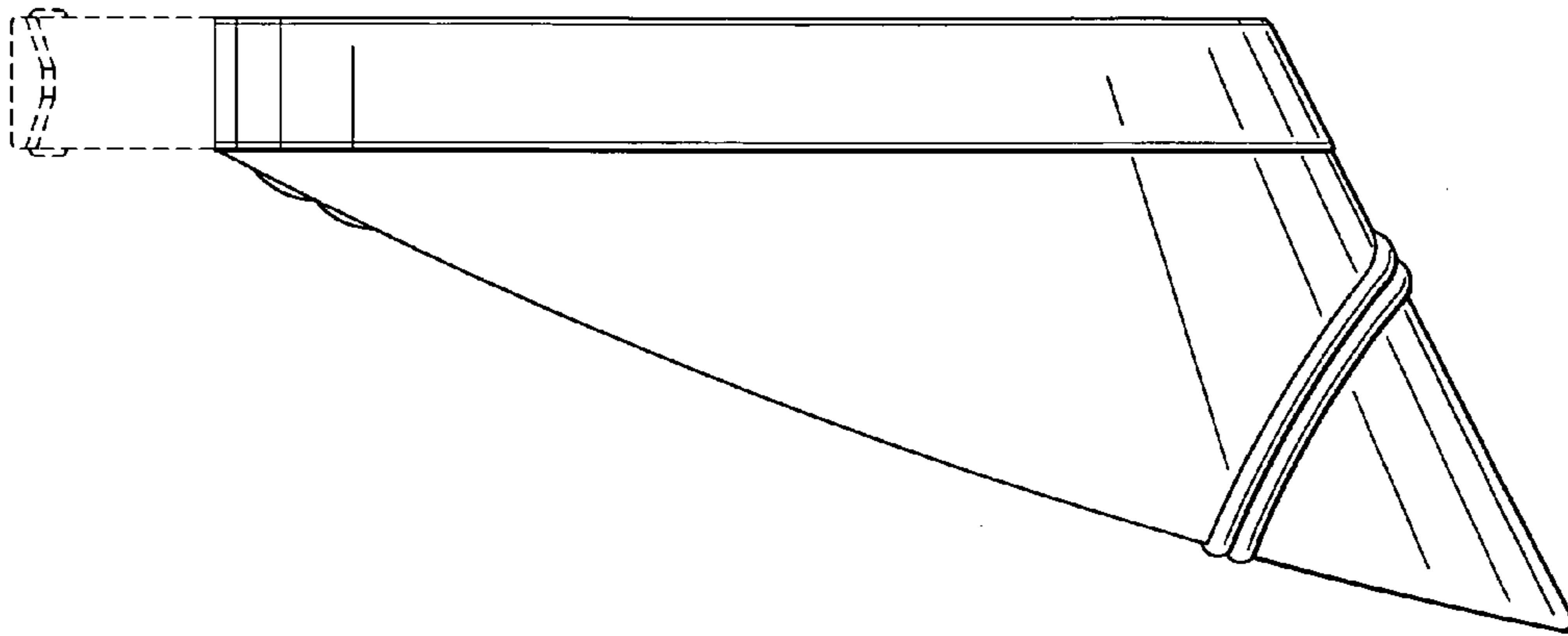


FIG. 7

