



US00D596377S

(12) **United States Design Patent**
Butler

(10) **Patent No.:** **US D596,377 S**

(45) **Date of Patent:** **** Jul. 21, 2009**

(54) **FOAM MIT**

(76) **Inventor:** **Cody Butler**, 131 University St.,
Hastings, NE (US) 68901

(**) **Term:** **14 Years**

(21) **Appl. No.:** **29/331,045**

(22) **Filed:** **Jan. 19, 2009**

(51) **LOC (9) Cl.** **02-06**

(52) **U.S. Cl.** **D2/615**

(58) **Field of Classification Search** D2/610-623;
D29/113, 118, 119; 2/158, 159, 161.3, 161.4,
2/161.8; 15/227, 104, 94; D21/153, 157,
D21/159, 168, 100; D20/10, 23, 25, 29
See application file for complete search history.

(56) **References Cited**

U.S. PATENT DOCUMENTS

2,773,264	A *	12/1956	Nover	2/159
4,486,975	A *	12/1984	Harreld et al.	446/220
D347,658	S *	6/1994	Scapillato	D20/29
D368,822	S *	4/1996	Gibree	D6/597
D397,740	S *	9/1998	Georgevich	D21/400
D427,638	S *	7/2000	Collins et al.	D20/10
6,108,817	A *	8/2000	Kostelac	2/159
6,324,696	B1 *	12/2001	Montgomery	2/19
D571,067	S *	6/2008	McLain	D32/40

* cited by examiner

Primary Examiner—Raphael Barkai

Assistant Examiner—Randall H Gholson

(74) *Attorney, Agent, or Firm*—Jeffrey A. Proehl; Woods,
Fuller, Schultz and Smith, PC

(57) **CLAIM**

The ornamental design for a foam mit, as shown and described.

DESCRIPTION

FIG. 1 is a front elevational view of the foam mit of the present invention;

FIG. 2 is a rear elevational view thereof;

FIG. 3 is a front elevational view of a second embodiment thereof;

FIG. 4 is a rear elevational view of a second embodiment thereof;

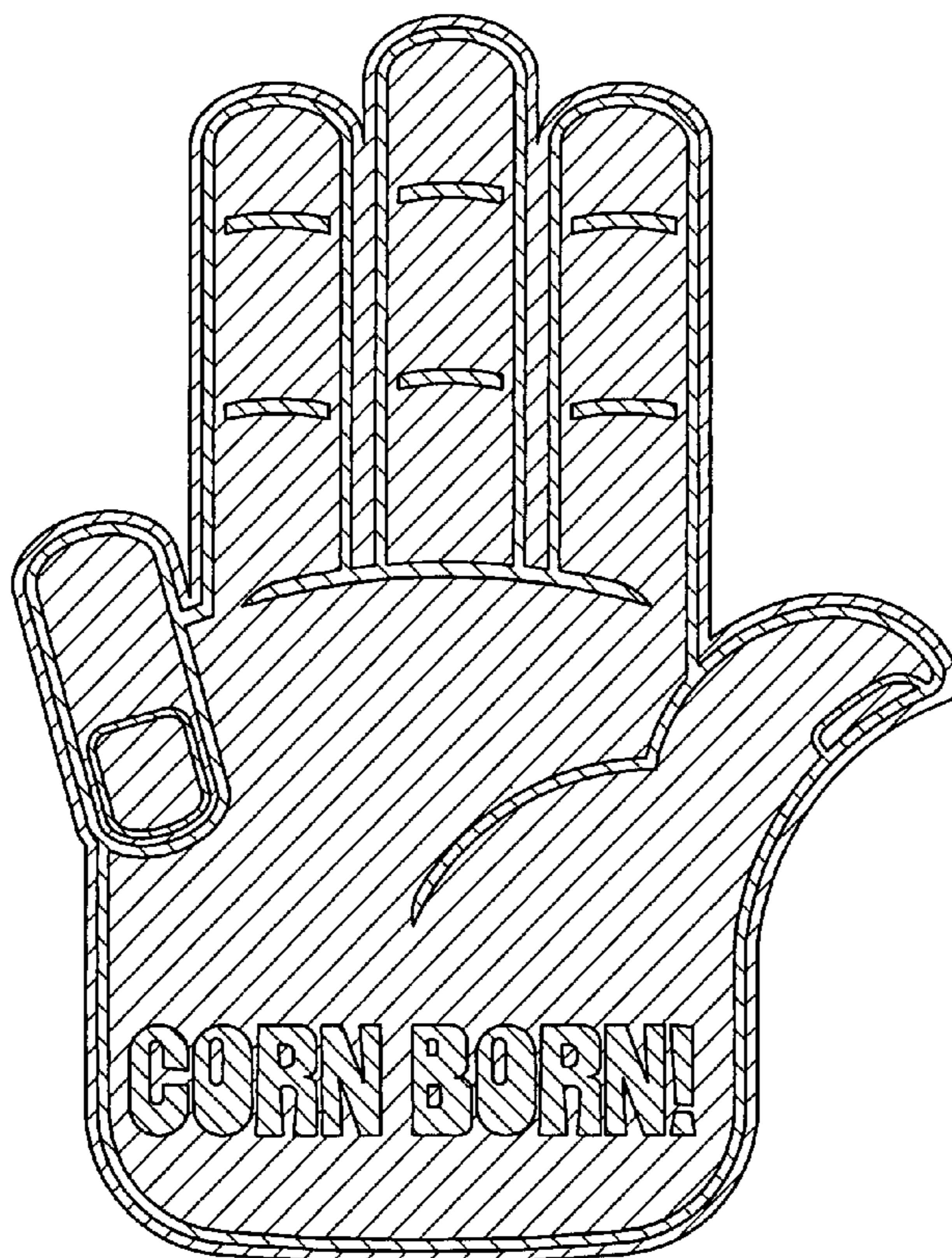
FIG. 5 is a front elevational view of a third embodiment thereof;

FIG. 6 is a rear elevational view of a third embodiment thereof.

FIGS. 1, 3, and 5 illustrate the visual characteristics embodied in or applied to the front surface of the foam mit of the present disclosure. FIGS. 2, 4, and 6 illustrate the visual characteristics embodied in or applied to the rear surface of the foam mit.

No particular thickness of the foam mit is claimed.

1 Claim, 3 Drawing Sheets



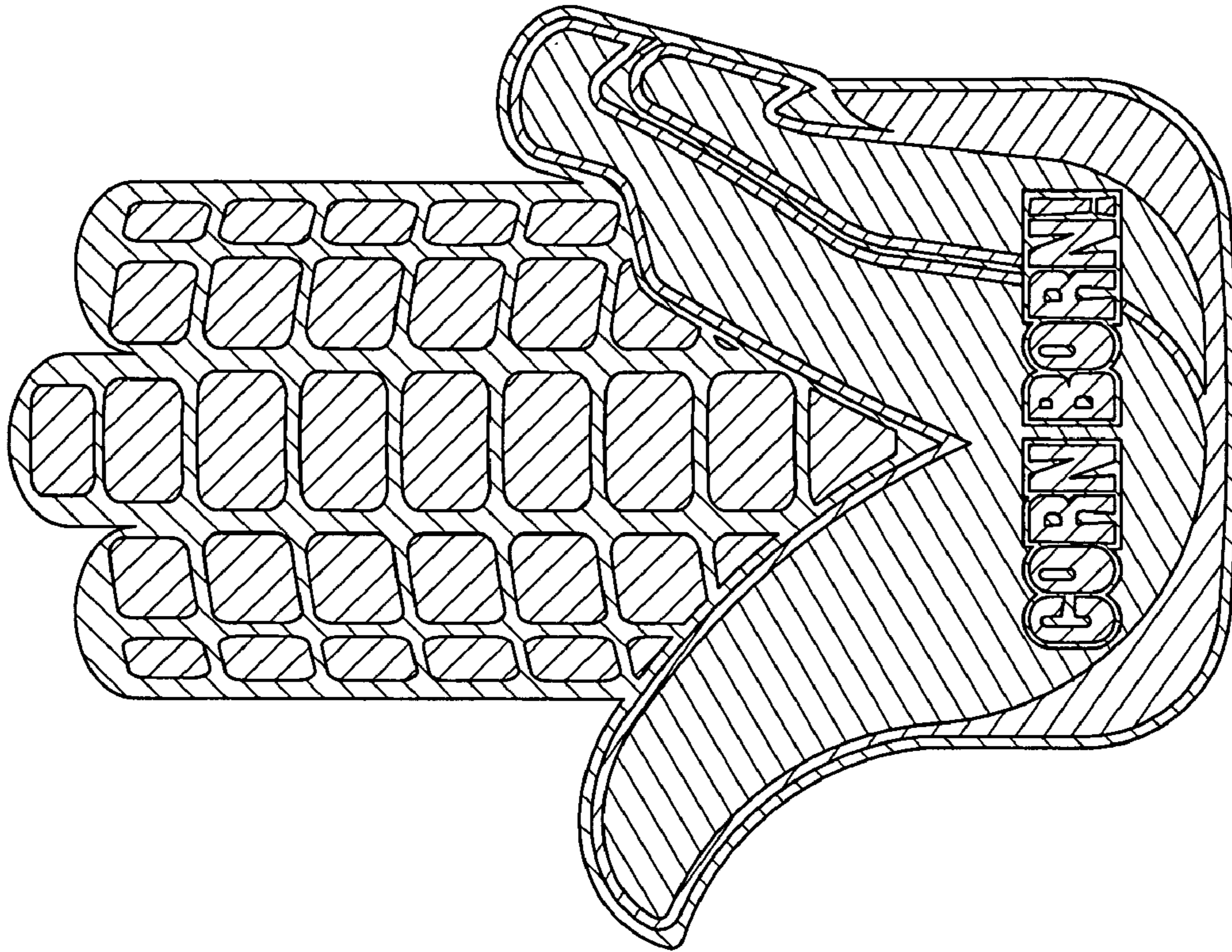


Fig. 2

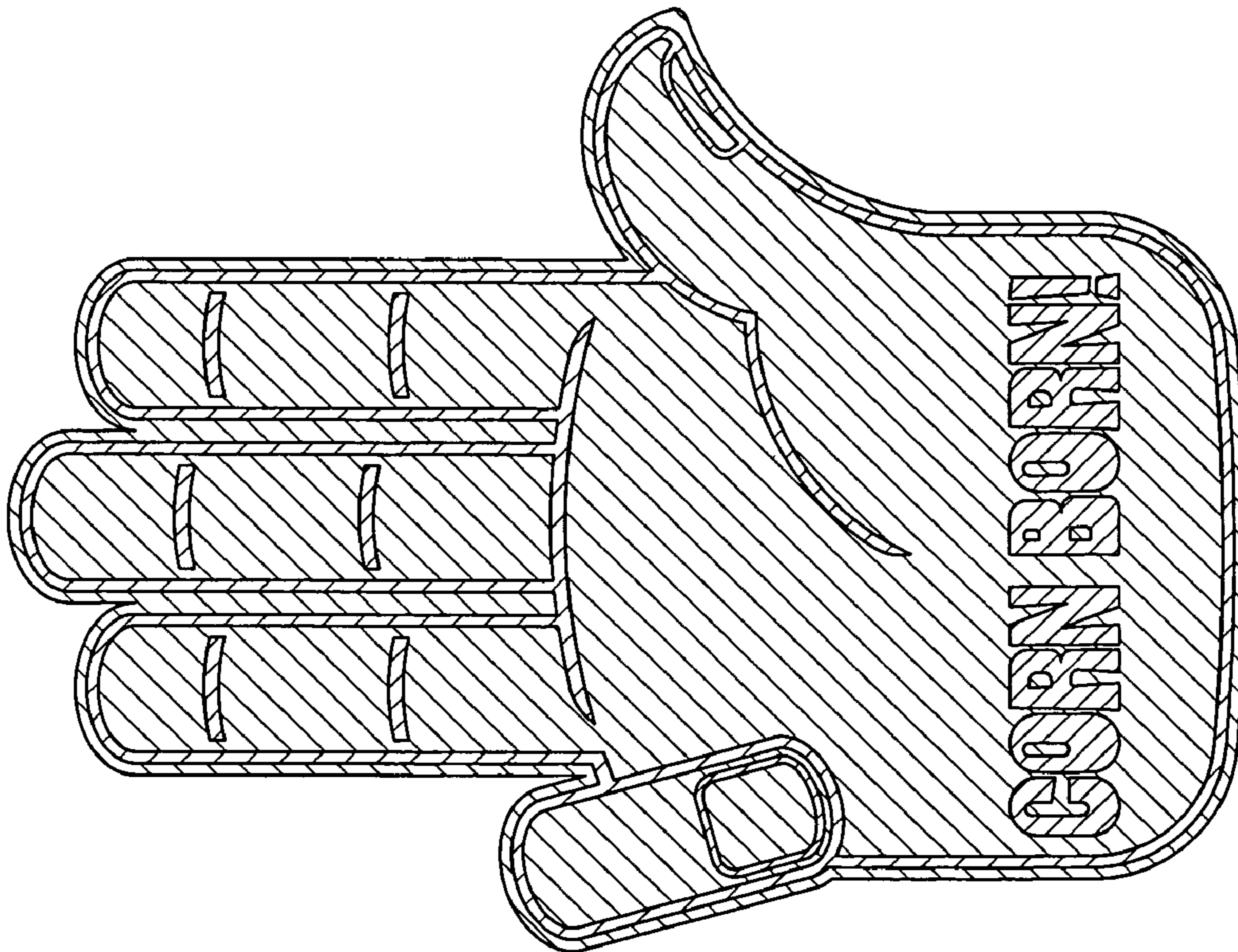


Fig. 1

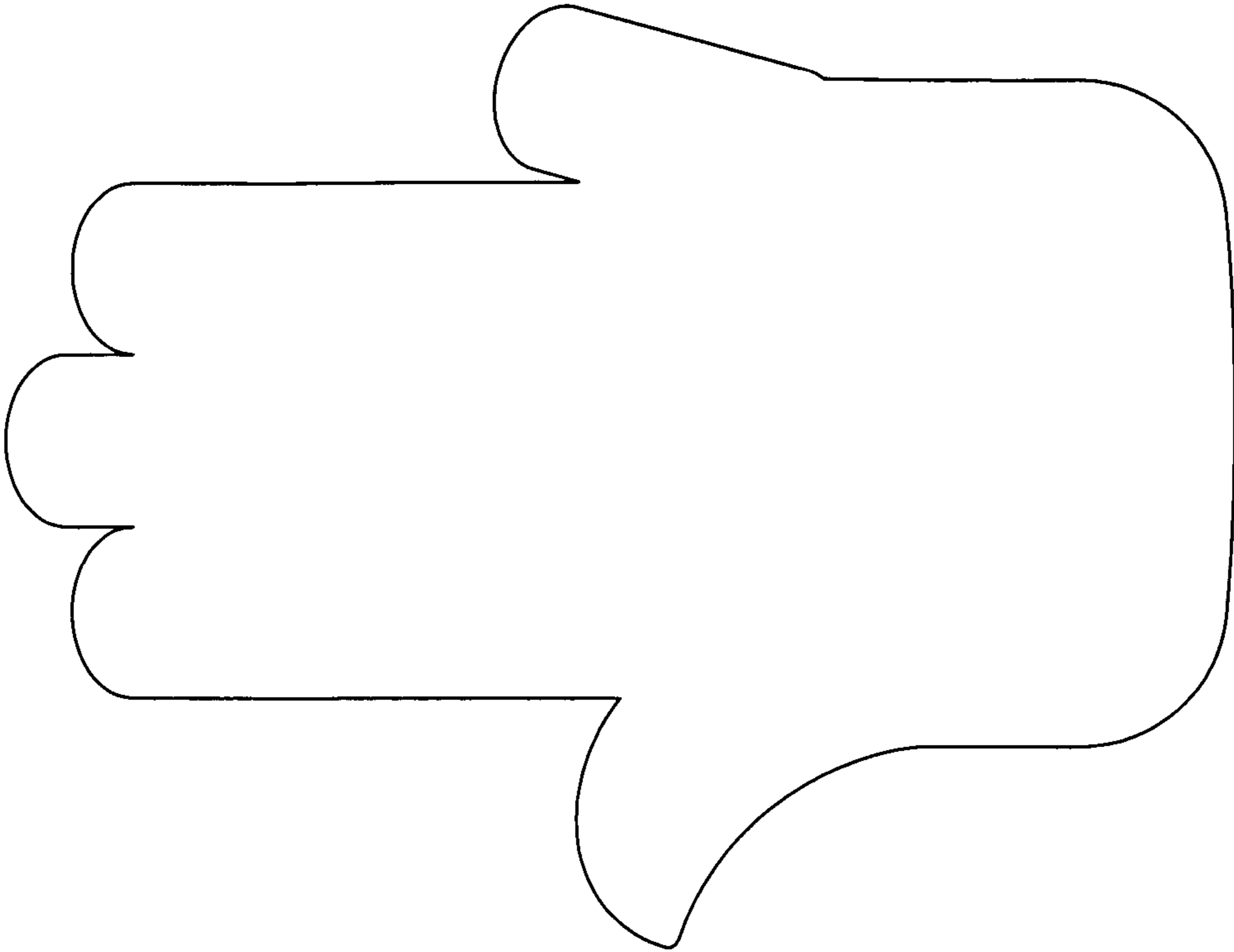


Fig. 4

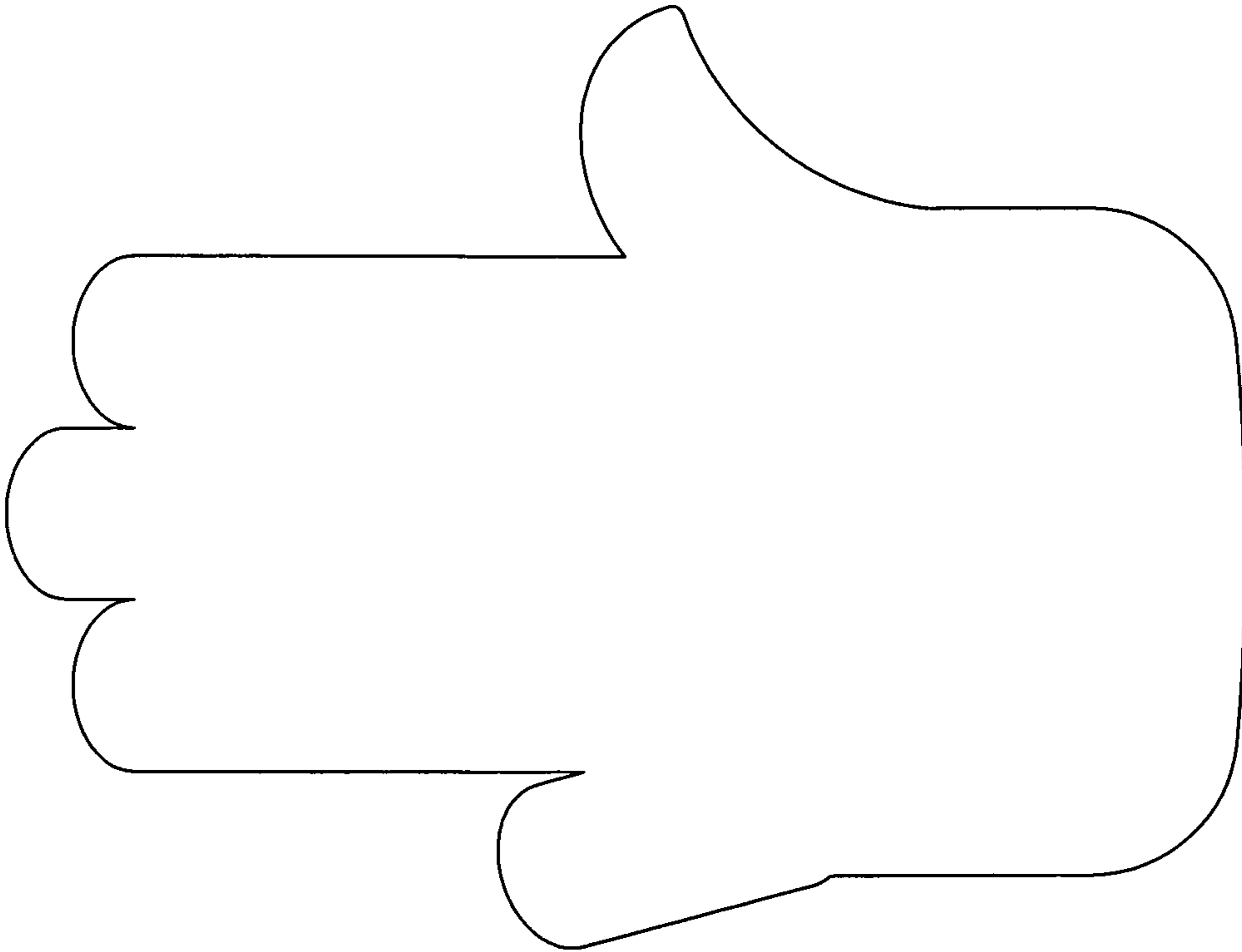


Fig. 3

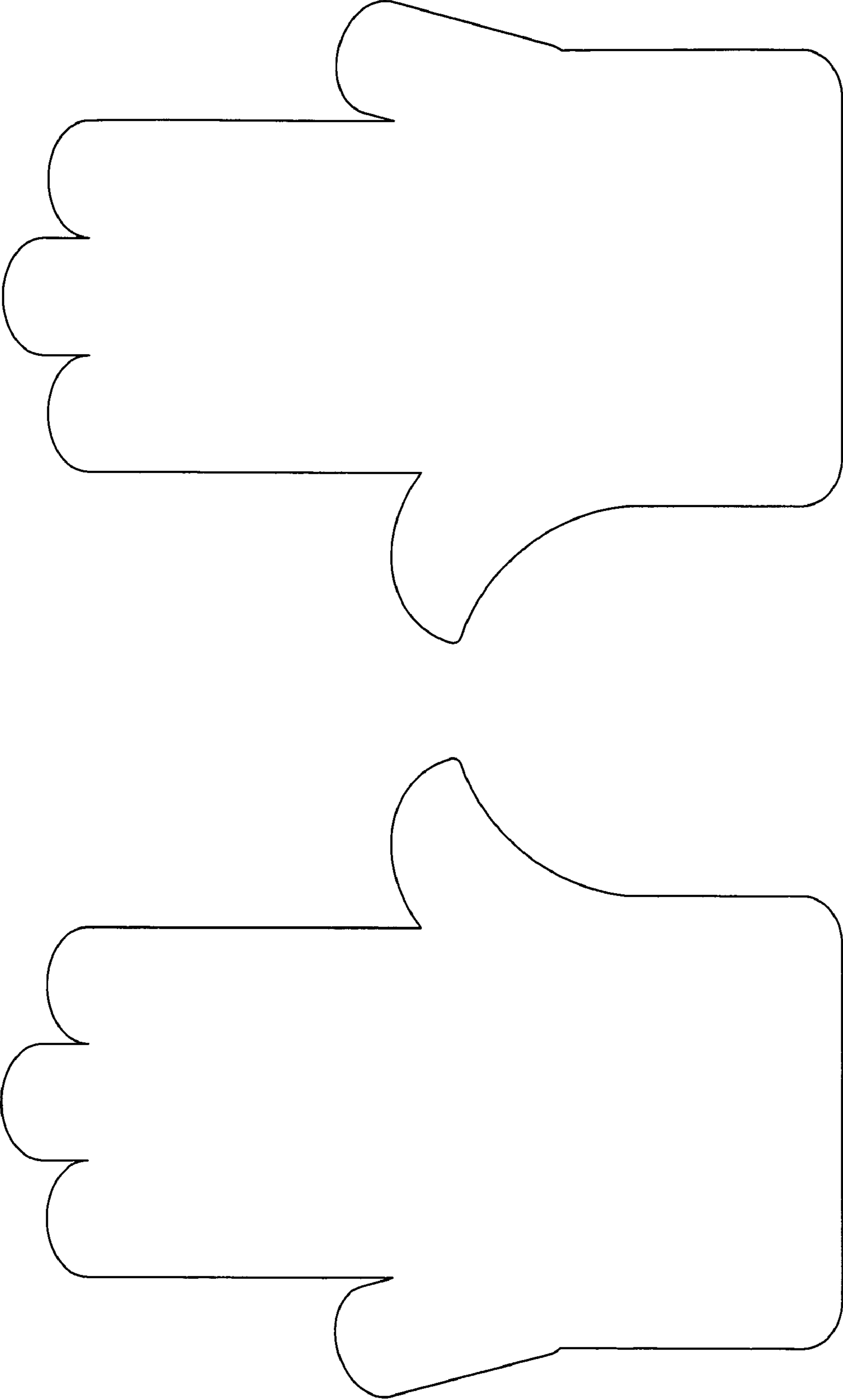


Fig. 6

Fig. 5