



US00D596375S

(12) **United States Design Patent**
Thomas

(10) **Patent No.:** **US D596,375 S**
(45) **Date of Patent:** **** Jul. 14, 2009**

(54) **COIN STORAGE AND DISPLAYING ASSEMBLY**

(76) Inventor: **Tony Thomas**, P.O. Box 385, Alto, GA (US) 30510

(**) Term: **14 Years**

(21) Appl. No.: **29/321,679**

(22) Filed: **Jul. 22, 2008**

(51) **LOC (9) Cl.** **03-01**

(52) **U.S. Cl.** **D99/34**

(58) **Field of Classification Search** D99/34-43, D99/99; D11/79, 116, 265; D3/207-208; 24/16 R; 40/27.5, 323, 654.01, 661-665, 40/781; 194/214; 273/148 R, 153 R, 236, 273/275, 288; 473/588-589; 229/87.5, 92.9; 206/0.8, 0.82-0.84, 37-39, 387.13, 449, 206/459.5, 509, 564, 776; D9/737, 418; 453/61; 211/60.1, 75

See application file for complete search history.

(56) **References Cited**

U.S. PATENT DOCUMENTS

2,527,389	A	10/1950	Becker	
2,998,126	A *	8/1961	Jenkins	206/0.83
3,085,378	A	4/1963	Howard	
3,135,566	A	6/1964	Frank	
3,312,336	A	4/1967	Fally	
3,346,109	A	10/1967	Duran	
D222,580	S *	11/1971	Nakakuma	D9/415
3,999,563	A	12/1976	Frias, Jr.	
D262,749	S	1/1982	Taivalvuo	
4,479,502	A *	10/1984	Iversen	453/61
D279,865	S *	7/1985	McKee	D9/737
D286,938	S *	11/1986	Povitz	D99/34

D310,486	S *	9/1990	Chanel	D9/425
D380,500	S	7/1997	Cusumano	
D417,840	S *	12/1999	Alpert	D24/226
D427,523	S *	7/2000	Calcerano	D9/415
D429,638	S *	8/2000	Li et al.	D9/415
D443,126	S	5/2001	Reviea et al.	
D554,494	S *	11/2007	Crawford et al.	D9/418
D577,992	S *	10/2008	Sutker et al.	D9/418
D579,768	S *	11/2008	Kirk et al.	D9/416
2006/0060274	A1 *	3/2006	Duffy	150/136

* cited by examiner

Primary Examiner—Philip S Hyder
Assistant Examiner—Susan E Krakower

(57) **CLAIM**

The ornamental design for a coin storage and displaying assembly, as shown and described.

DESCRIPTION

FIG. 1 is a front elevated view of a coin storage and displaying assembly showing my new design;

FIG. 2 is a rear elevated view of the coin storage and displaying assembly;

FIG. 3 is a side elevated view of the coin storage and displaying assembly;

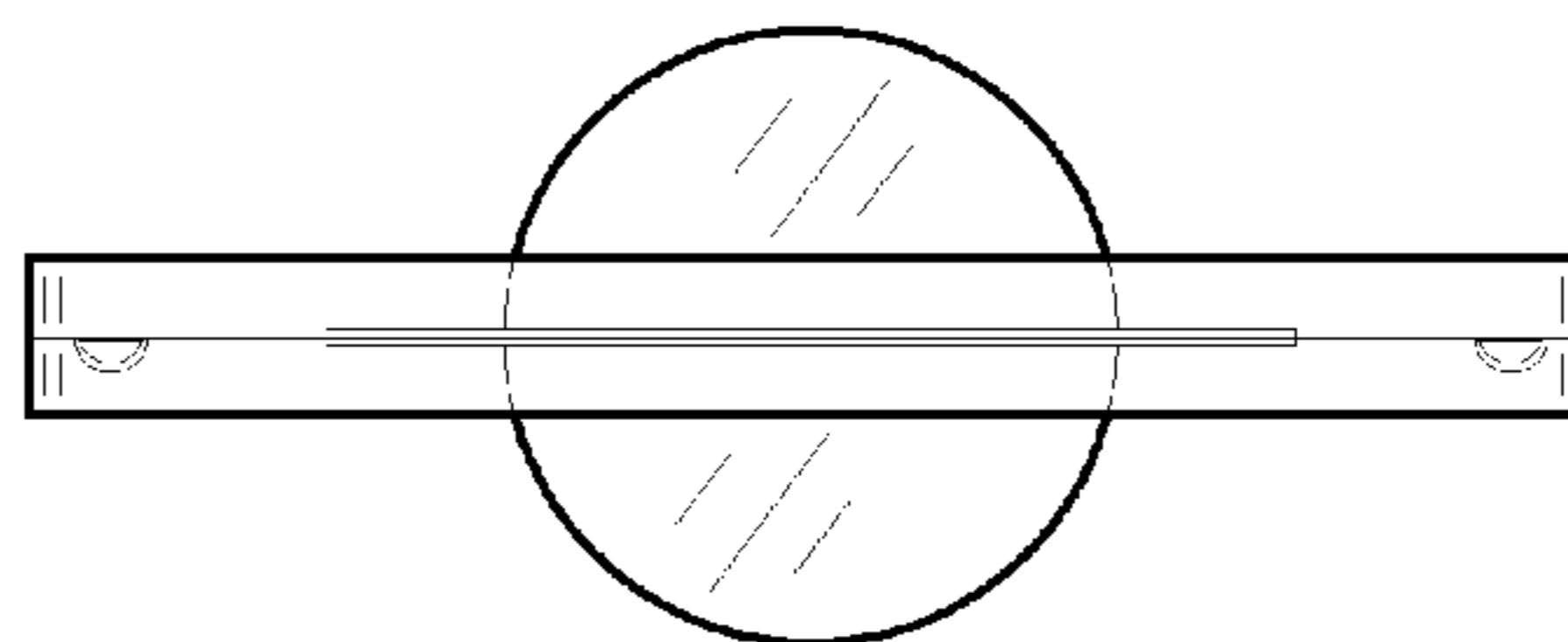
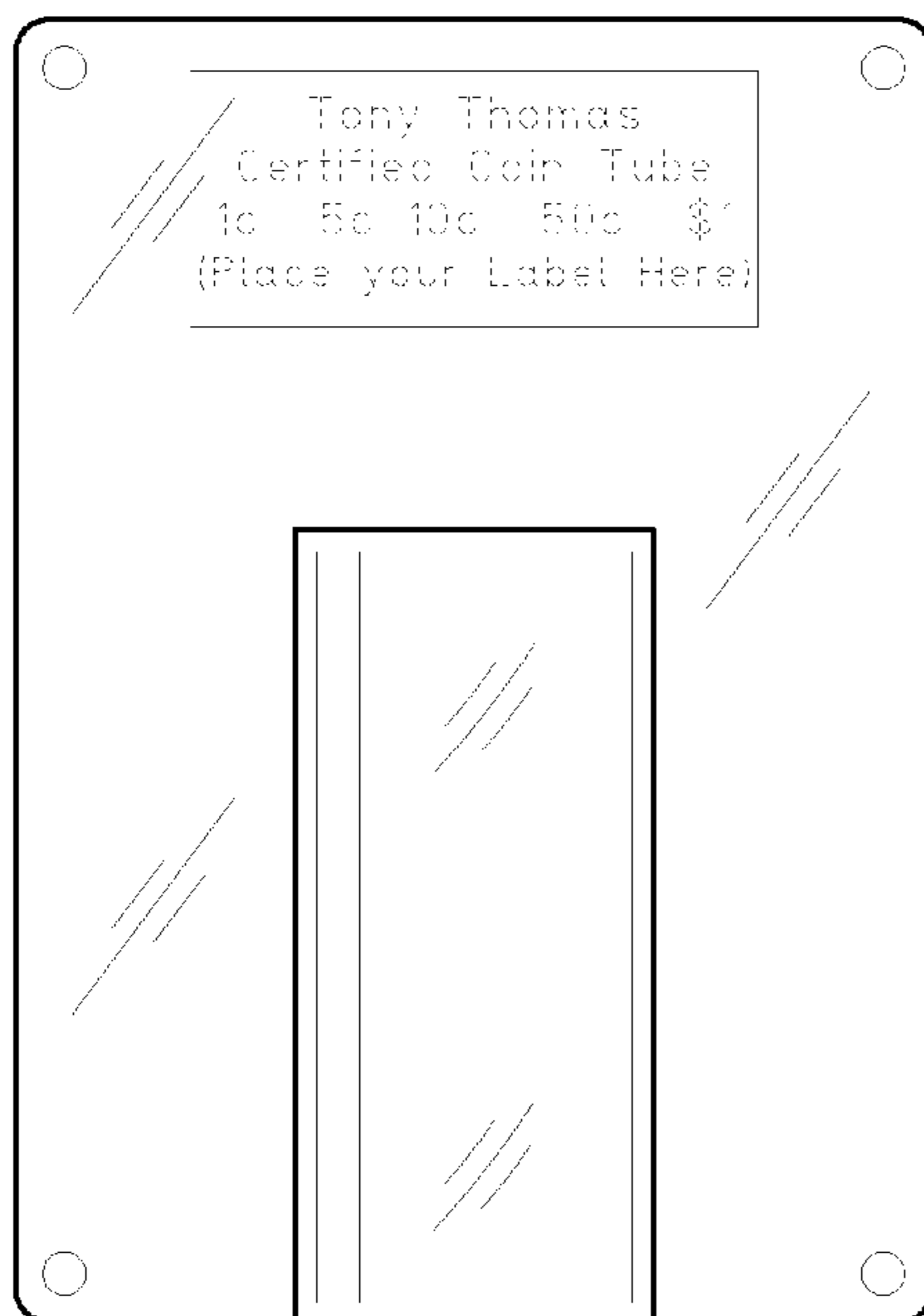
FIG. 4 is a top plan view of the coin storage and displaying assembly;

FIG. 5 is a bottom plan view of the coin storage and displaying assembly; and,

FIG. 6 is a top perspective view of the coin storage and displaying assembly.

The broken line showing of lettering illustrates environmental subject matter, which forms no part of the claimed design.

1 Claim, 3 Drawing Sheets



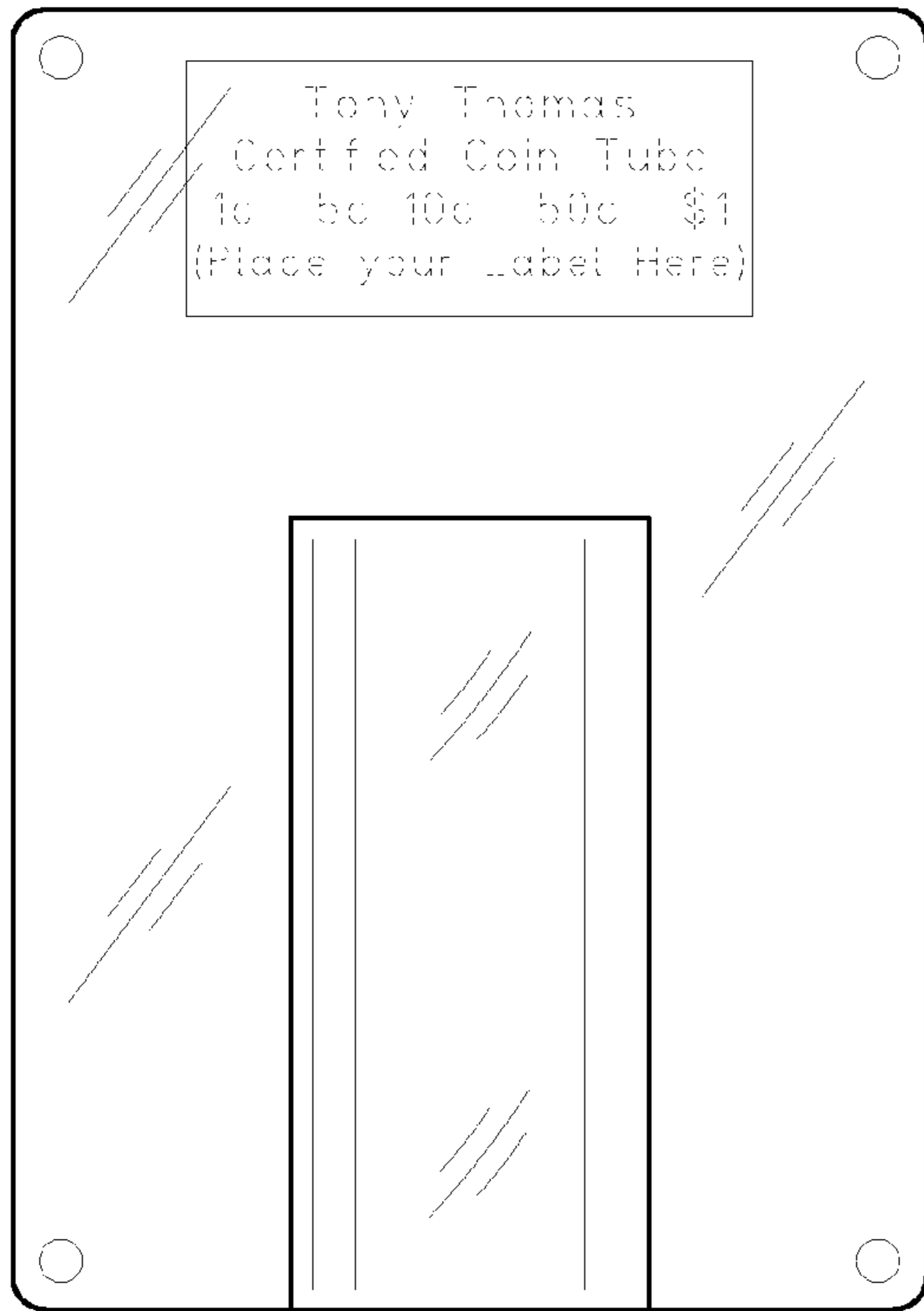


FIG. 1

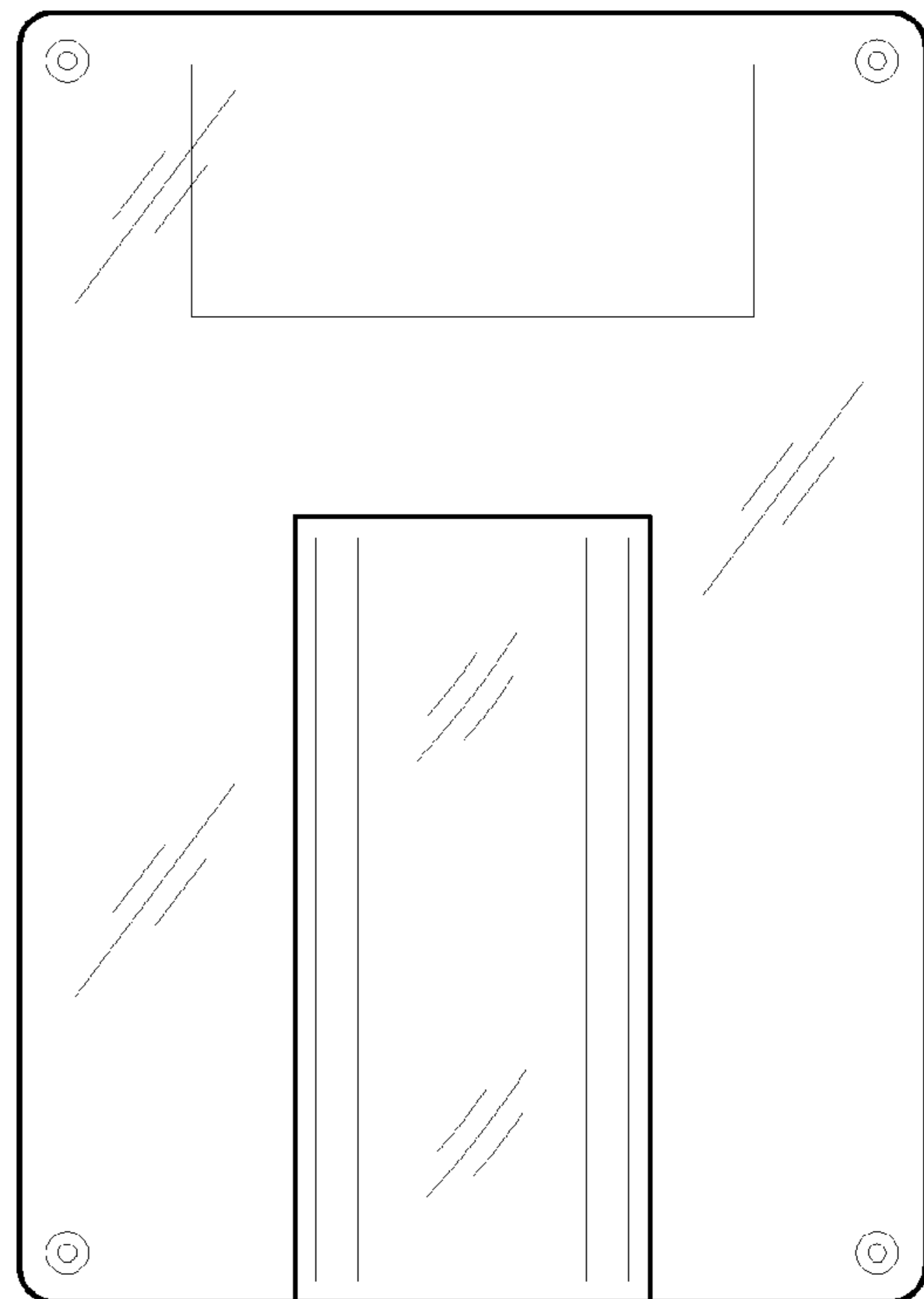


FIG. 2

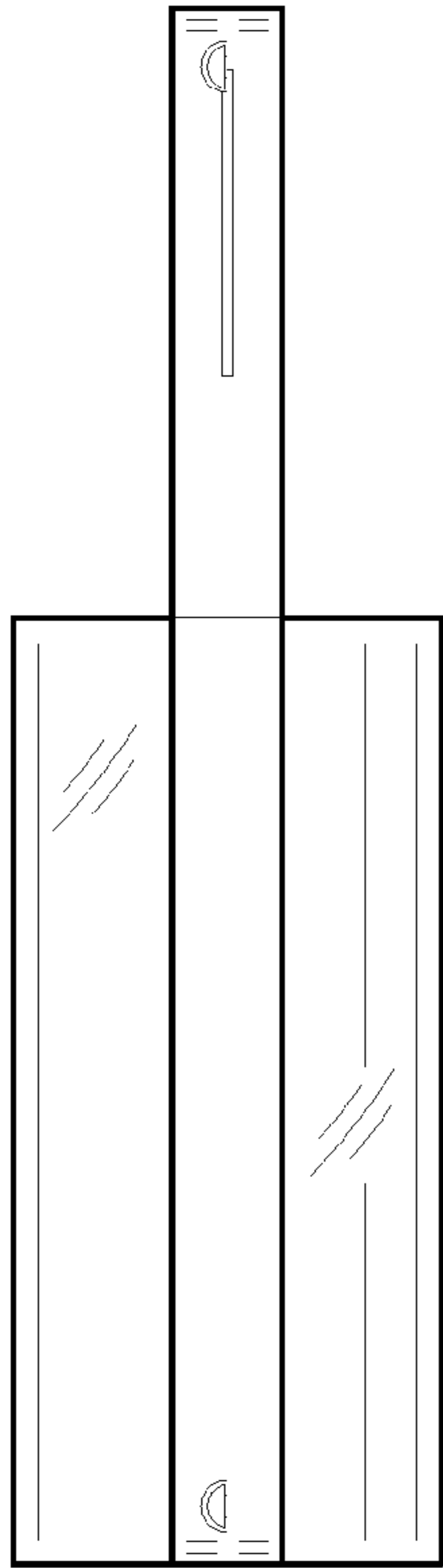


FIG. 3

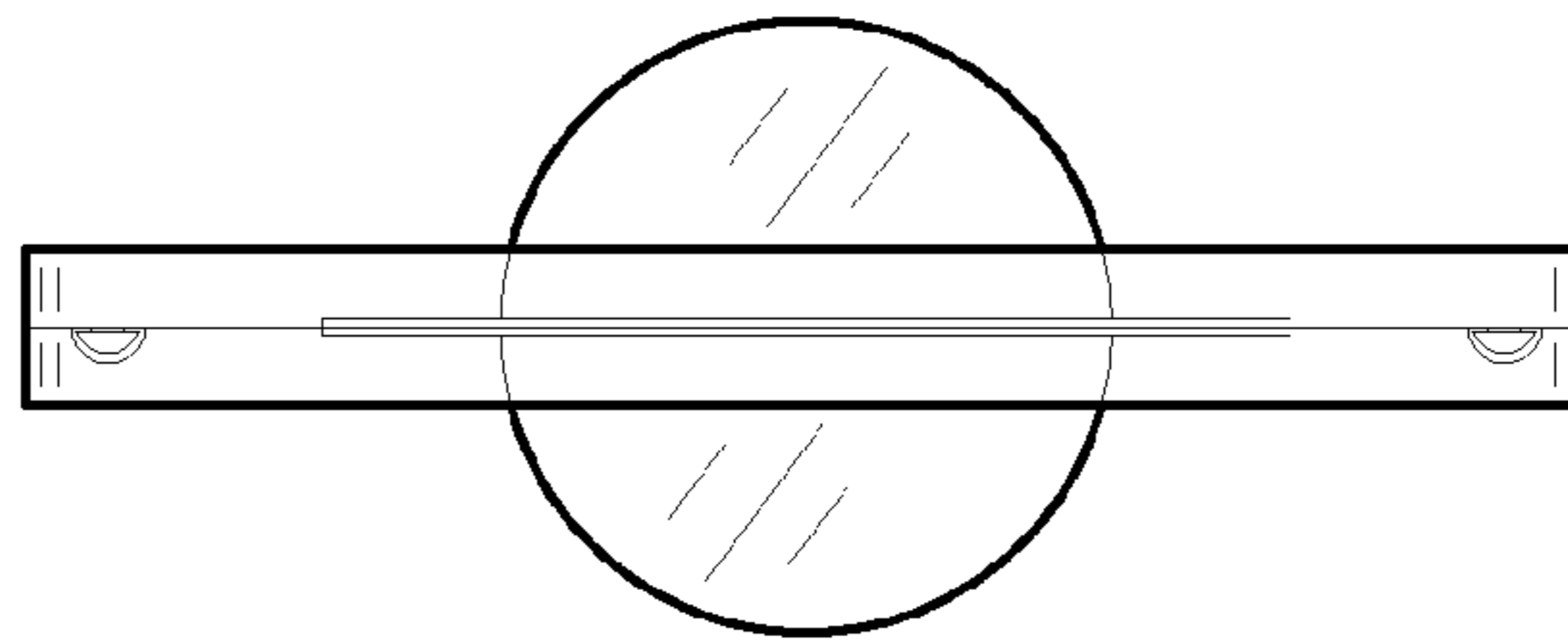


FIG. 4

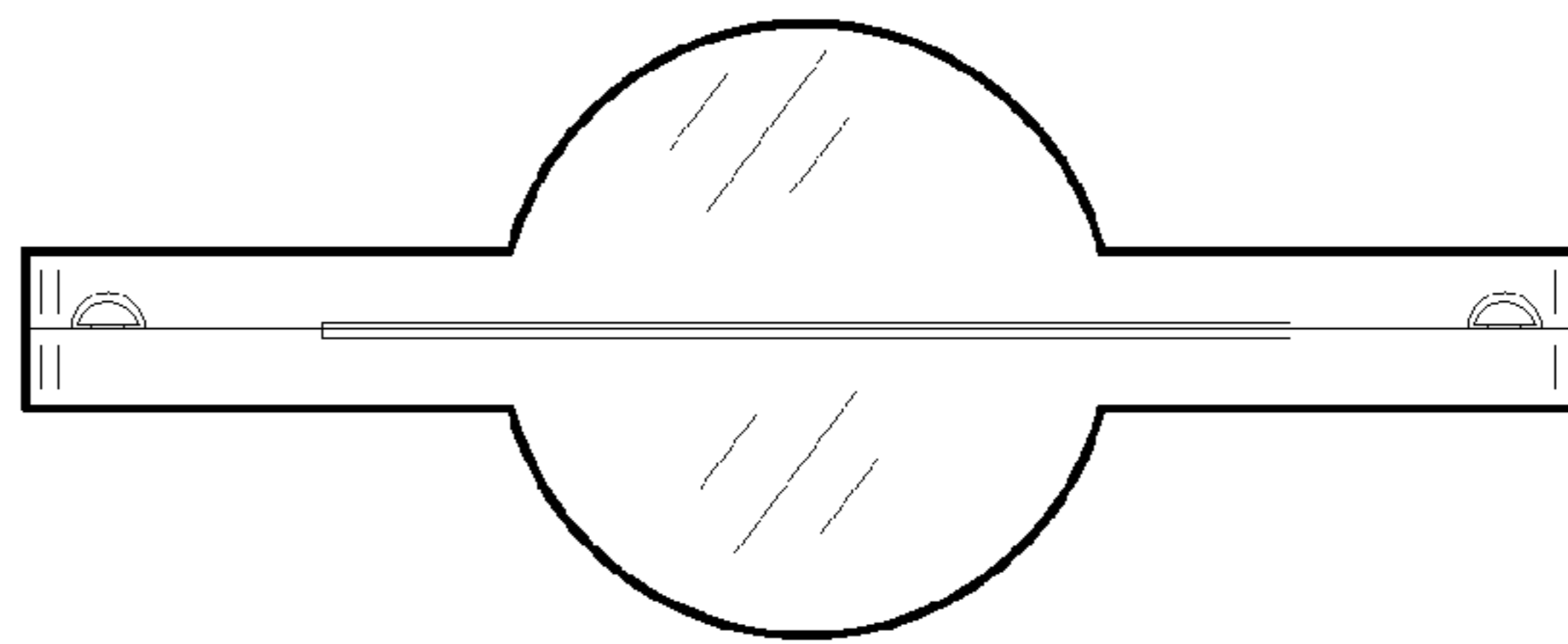


FIG. 5

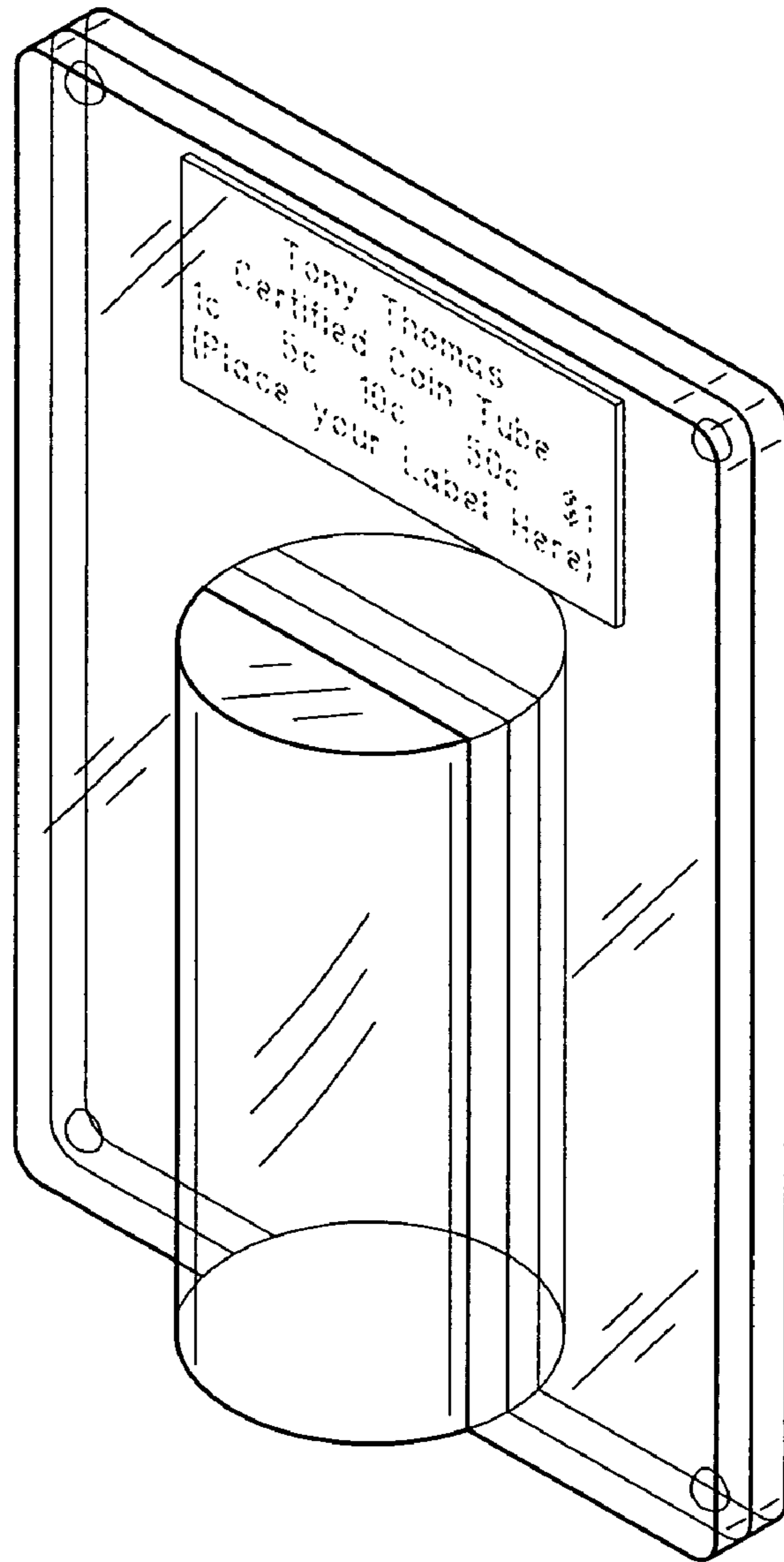


FIG. 6