

US00D596374S

(12) **United States Design Patent**
Kang et al.

(10) **Patent No.:** **US D596,374 S**
(45) **Date of Patent:** **** Jul. 14, 2009**

(54) **AUTOMATED TELLER MACHINE**

(75) Inventors: **Dong Gu Kang**, Gyeonggi-do (KR);
Jong Ok Lee, Gyeonggi-do (KR)

(73) Assignee: **Nautilus Hyosung Inc.**, Seoul (KR)

(**) Term: **14 Years**

(21) Appl. No.: **29/299,636**

(22) Filed: **Dec. 31, 2007**

(51) **LOC (9) Cl.** **20-01**

(52) **U.S. Cl.** **D99/28**

(58) **Field of Classification Search** D99/28,
D99/34-43, 99; D18/3.1-3.3, 4.6; D14/385,
D14/448, 173, 307, 901, 146, 144, 151, 129-130;
235/375-381, 100; 705/35, 43; 109/2, 24.1,
109/50, 53, 66, 83; 106/644; 52/659, 73;
902/8, 9, 15, 20-21, 30; 340/5.41; 348/150;
D20/1, 2; D25/16; 361/681, 683, 686, 687,
361/694; D6/397, 573, 634; D21/329, 369;
194/202, 379, 381; 206/8, 815

See application file for complete search history.

(56) **References Cited**

U.S. PATENT DOCUMENTS

D225,600	S	*	12/1972	Hill	D99/28
3,943,335	A	*	3/1976	Kinker et al.	235/379
D282,114	S	*	1/1986	Nishida	D99/28
D282,937	S	*	3/1986	Di Benedetto et al.	D20/1
D284,321	S	*	6/1986	Kobayashi	D99/28
D319,135	S	*	8/1991	Feger et al.	D99/28
D322,966	S	*	1/1992	Kasano et al.	D14/381
D327,766	S	*	7/1992	Swaine et al.	D99/28
D332,165	S	*	12/1992	Fukutake et al.	D99/28
D335,746	S	*	5/1993	North	D99/28
D348,263	S	*	6/1994	Veeneman	D14/130

D386,883	S	*	11/1997	Do et al.	D99/28
D388,229	S	*	12/1997	Couch	D99/28
D394,458	S	*	5/1998	Watanabe et al.	D20/10
D396,931	S	*	8/1998	Ng	D99/28
D410,129	S	*	5/1999	Molander et al.	D99/28
D419,277	S	*	1/2000	Ishii et al.	D99/35
D462,776	S	*	9/2002	Bain et al.	D14/307
D470,543	S	*	2/2003	Searls et al.	D21/512
D492,080	S	*	6/2004	Magee et al.	D99/28
6,910,625	B2	*	6/2005	Teixeira Gomes	235/379
7,165,767	B2	*	1/2007	Graef et al.	271/164
D538,505	S	*	3/2007	Kang et al.	D99/28
D540,004	S	*	4/2007	Kang et al.	D99/28
D541,505	S	*	4/2007	Kang et al.	D99/28

* cited by examiner

Primary Examiner—Philip S Hyder
Assistant Examiner—Susan E Krakower
(74) *Attorney, Agent, or Firm*—Fish & Richardson P.C.

(57) **CLAIM**

The ornamental design for an automated teller machine, substantially as shown and described.

DESCRIPTION

FIG. 1 is a perspective view.

FIG. 2 is a front view.

FIG. 3 is a rear view.

FIG. 4 is a left side view.

FIG. 5 is a right side view.

FIG. 6 is a top view; and,

FIG. 7 is a bottom view.

The structural elements shown in broken lines form no part of the claimed design.

1 Claim, 5 Drawing Sheets

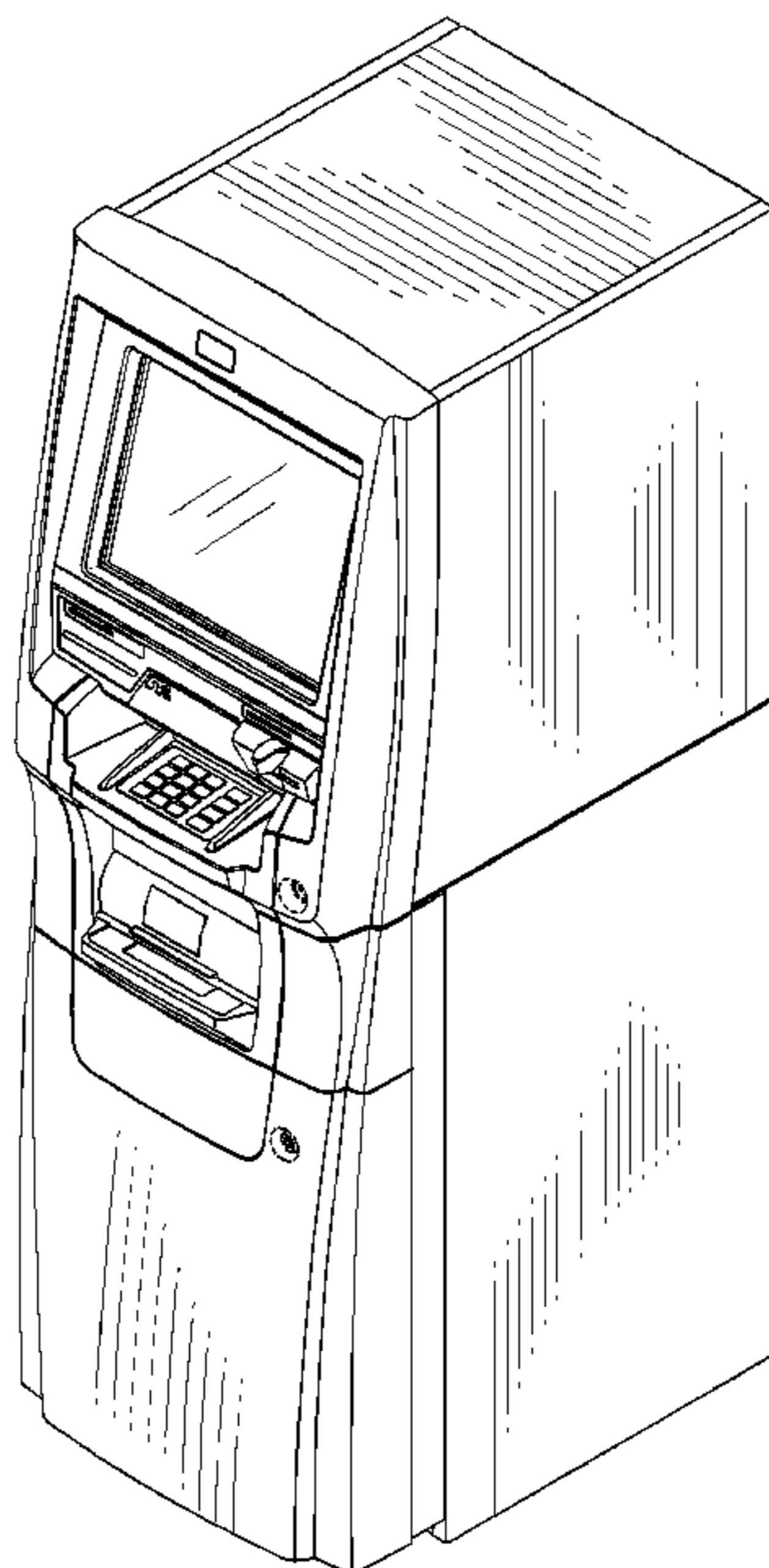


FIG. 1

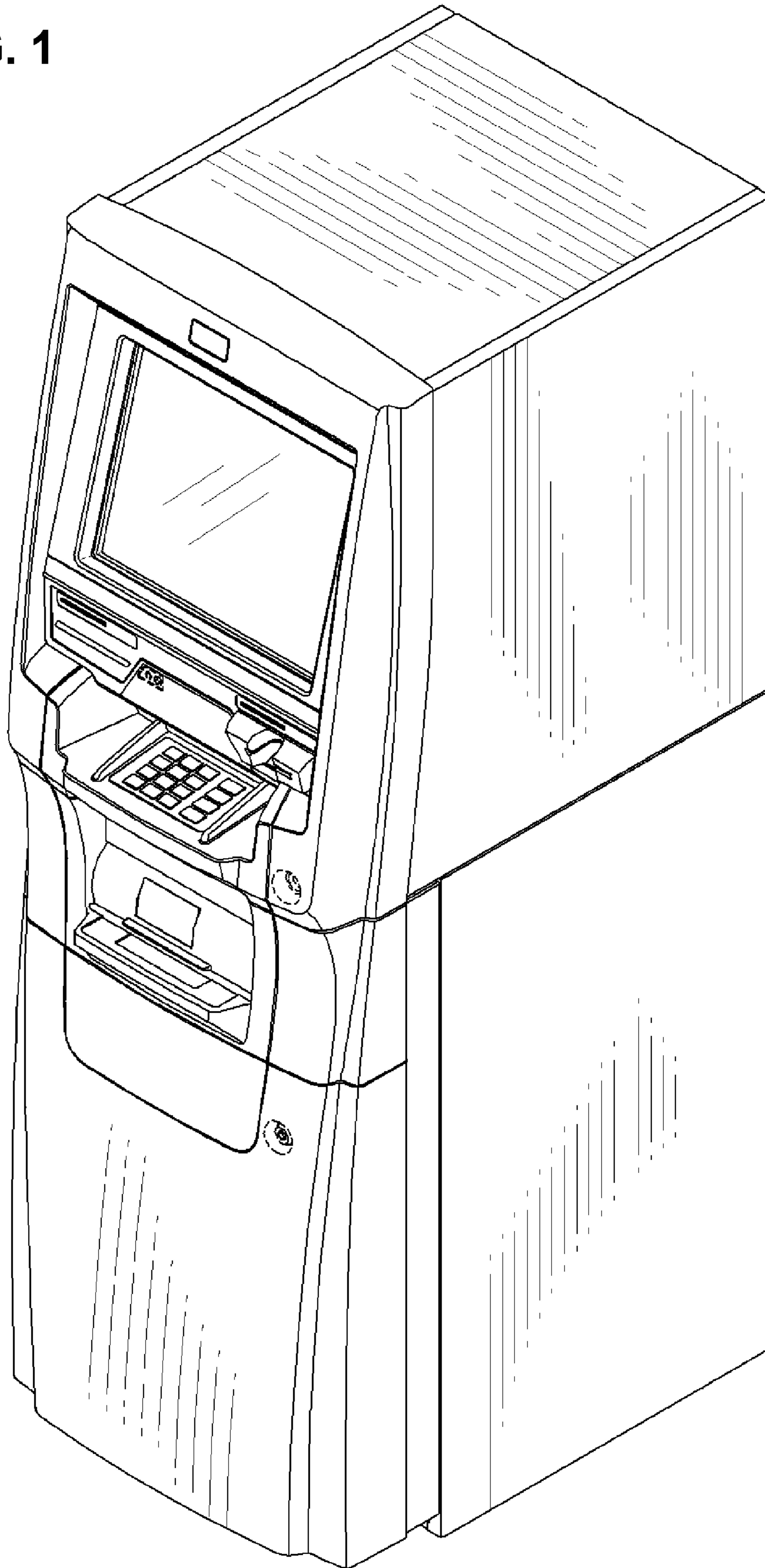


FIG. 2

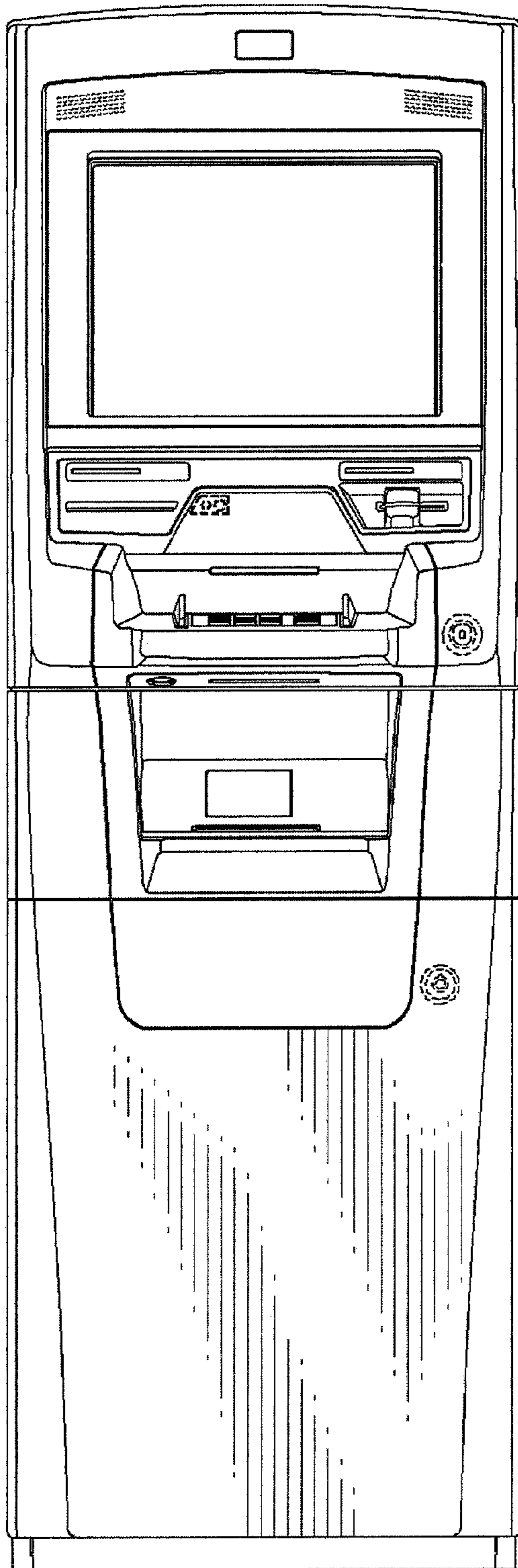


FIG. 3

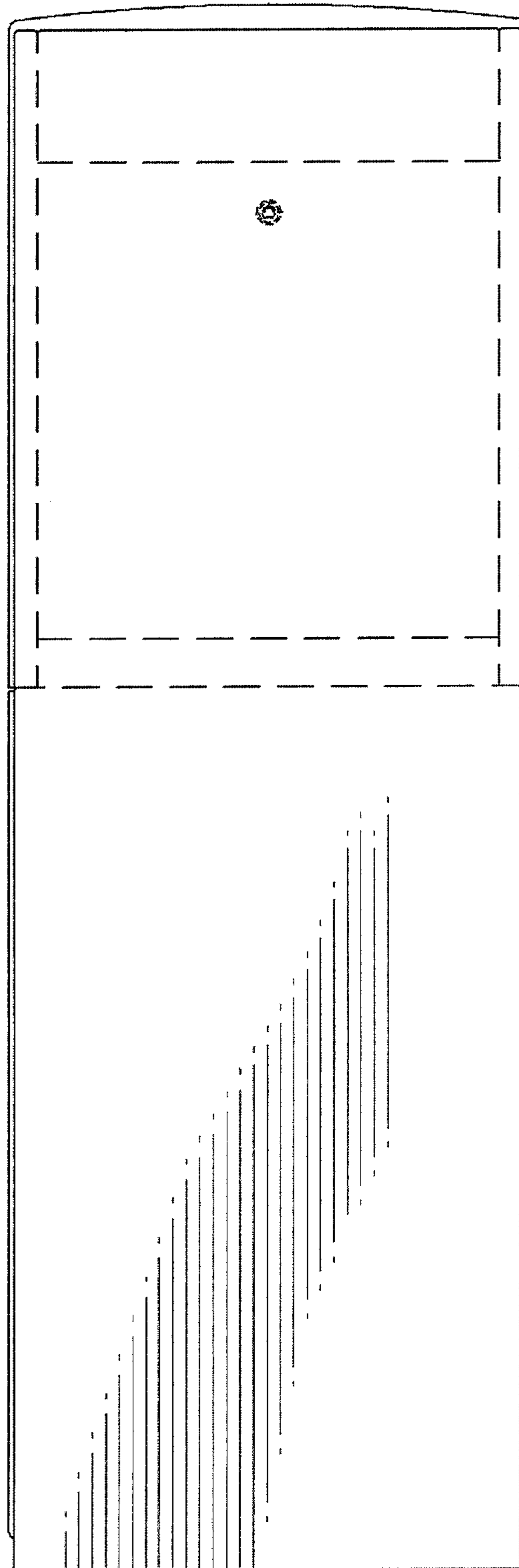


FIG. 4

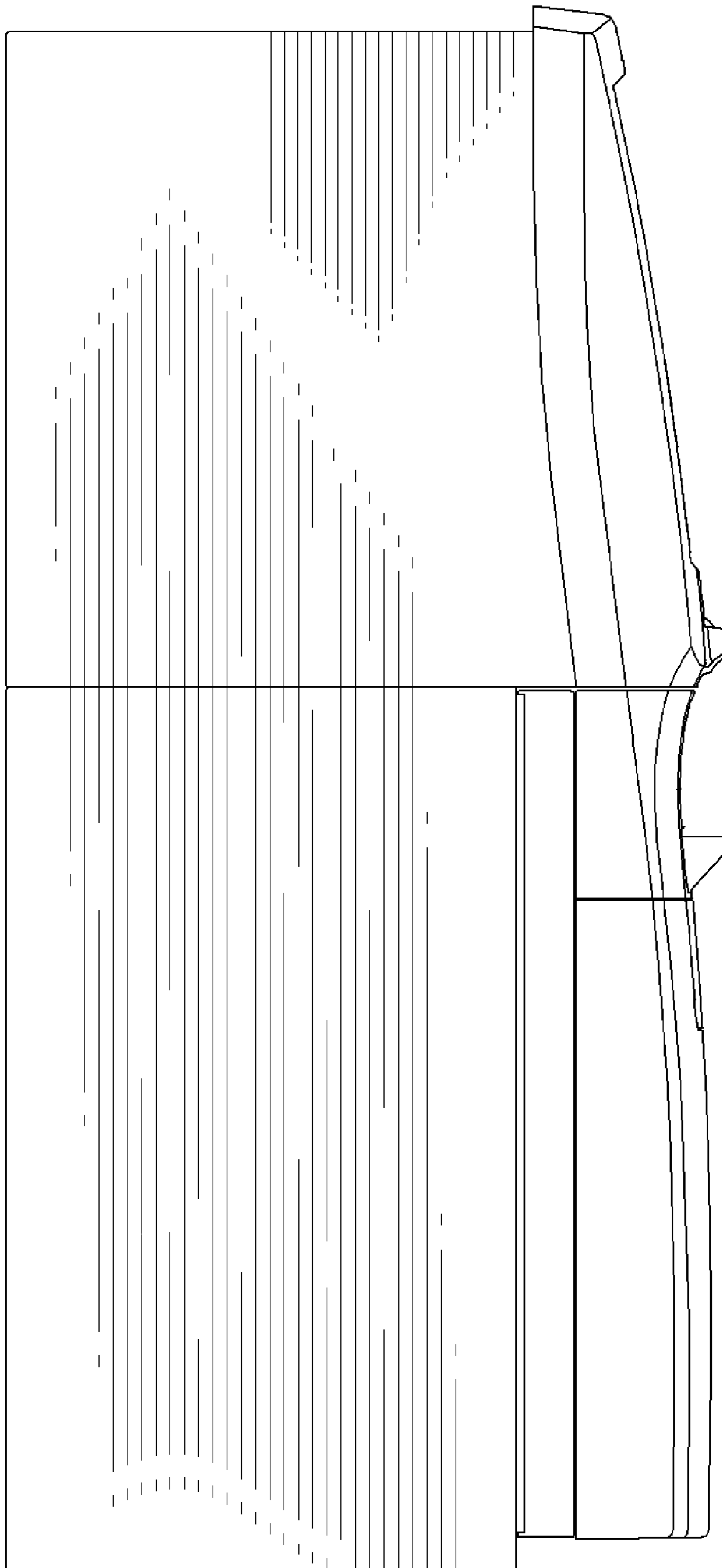


FIG. 5

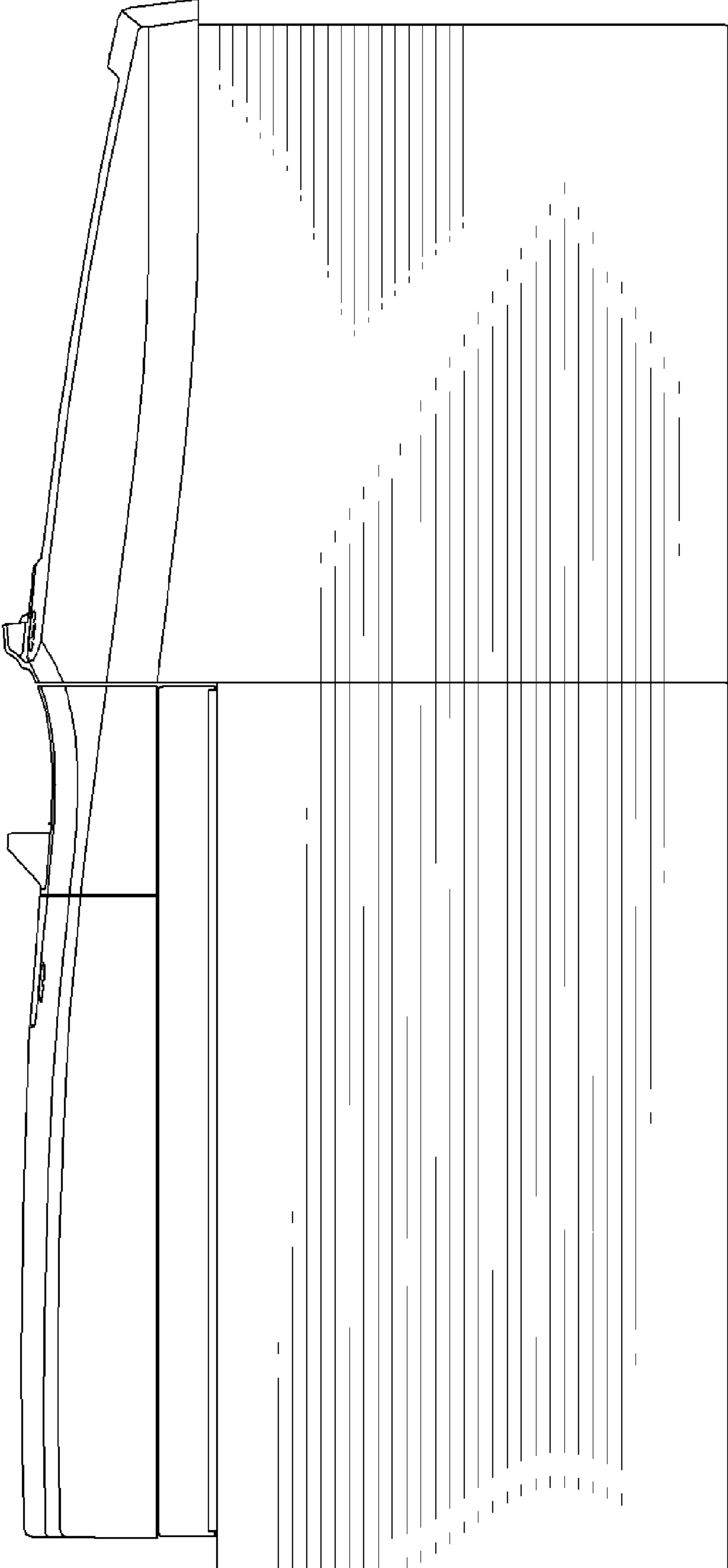


FIG. 6

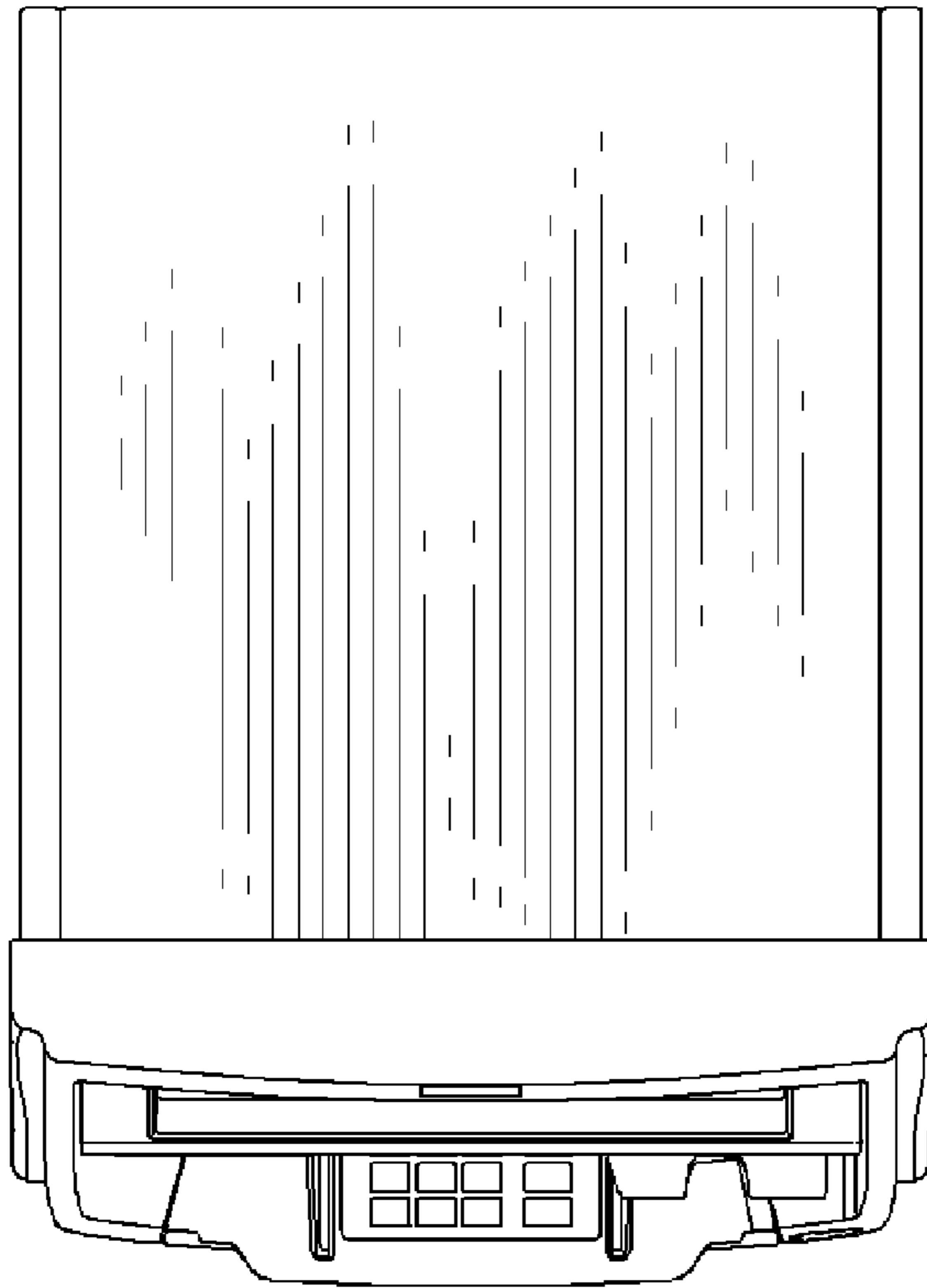


FIG. 7

