



US00D596372S

(12) **United States Design Patent**
Lawrence

(10) **Patent No.:** **US D596,372 S**

(45) **Date of Patent:** **** Jul. 14, 2009**

(54) **RAIN BARREL COVER**

(76) Inventor: **Barbara D. Lawrence**, 121 Edwards St., Quincy, MA (US) 02169

(**) Term: **14 Years**

(21) Appl. No.: **29/328,141**

(22) Filed: **Nov. 19, 2008**

(51) **LOC (9) Cl.** **09-02**

(52) **U.S. Cl.** **D34/39; D34/11**

(58) **Field of Classification Search** D34/1, D34/5, 6, 7, 8, 9, 10, 11; 220/908, 263, 908.1, 220/910, 911, 565; D23/202, 205, 200; D11/143
See application file for complete search history.

(56) **References Cited**

U.S. PATENT DOCUMENTS

D271,818	S *	12/1983	Hartman	D34/11
5,072,850	A *	12/1991	Gagnon et al.	220/300
D323,914	S *	2/1992	Doxey et al.	D34/5
D326,342	S *	5/1992	Doxey et al.	D34/7
D335,744	S *	5/1993	Small et al.	D34/39
D381,161	S *	7/1997	Berend et al.	D34/11
6,390,522	B1 *	5/2002	Rucker	294/15
2005/0061824	A1 *	3/2005	Miller et al.	220/836
2009/0026208	A1 *	1/2009	McKenzie	220/495.06

* cited by examiner

Primary Examiner—Cynthia E Ramirez

(74) *Attorney, Agent, or Firm*—Mark R. Malek; Zies Widerman & Malek, PL

(57) **CLAIM**

The ornamental design for a rain barrel cover, as shown and described.

DESCRIPTION

FIG. 1 is a front elevation view of a rain barrel cover according to the present invention.

FIG. 2 is a top view of a rain barrel cover according to the present invention.

FIG. 3 is a side elevation view of a rain barrel cover according to the present invention.

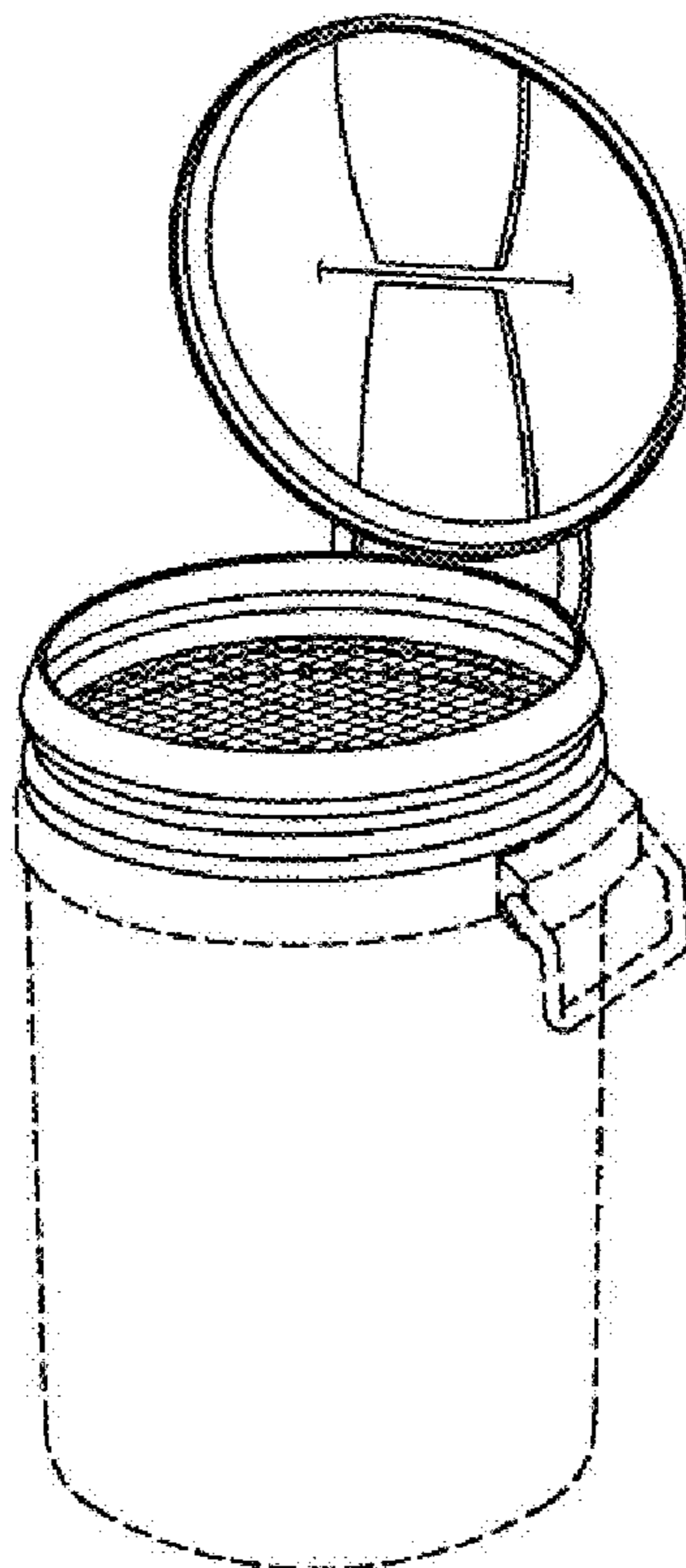
FIG. 4 is a bottom view of a rain barrel cover according to the present invention.

FIG. 5 is an environmental view of a rain barrel cover according to the present invention positioned to overlie a rain barrel; and,

FIG. 6 is an exploded environmental view of a rain barrel cover according to the present invention overlying a rain barrel.

The broken line showing of a container in FIGS. 5 and 6 is included for the purpose of illustrating environment and forms no part of the claimed design.

1 Claim, 3 Drawing Sheets



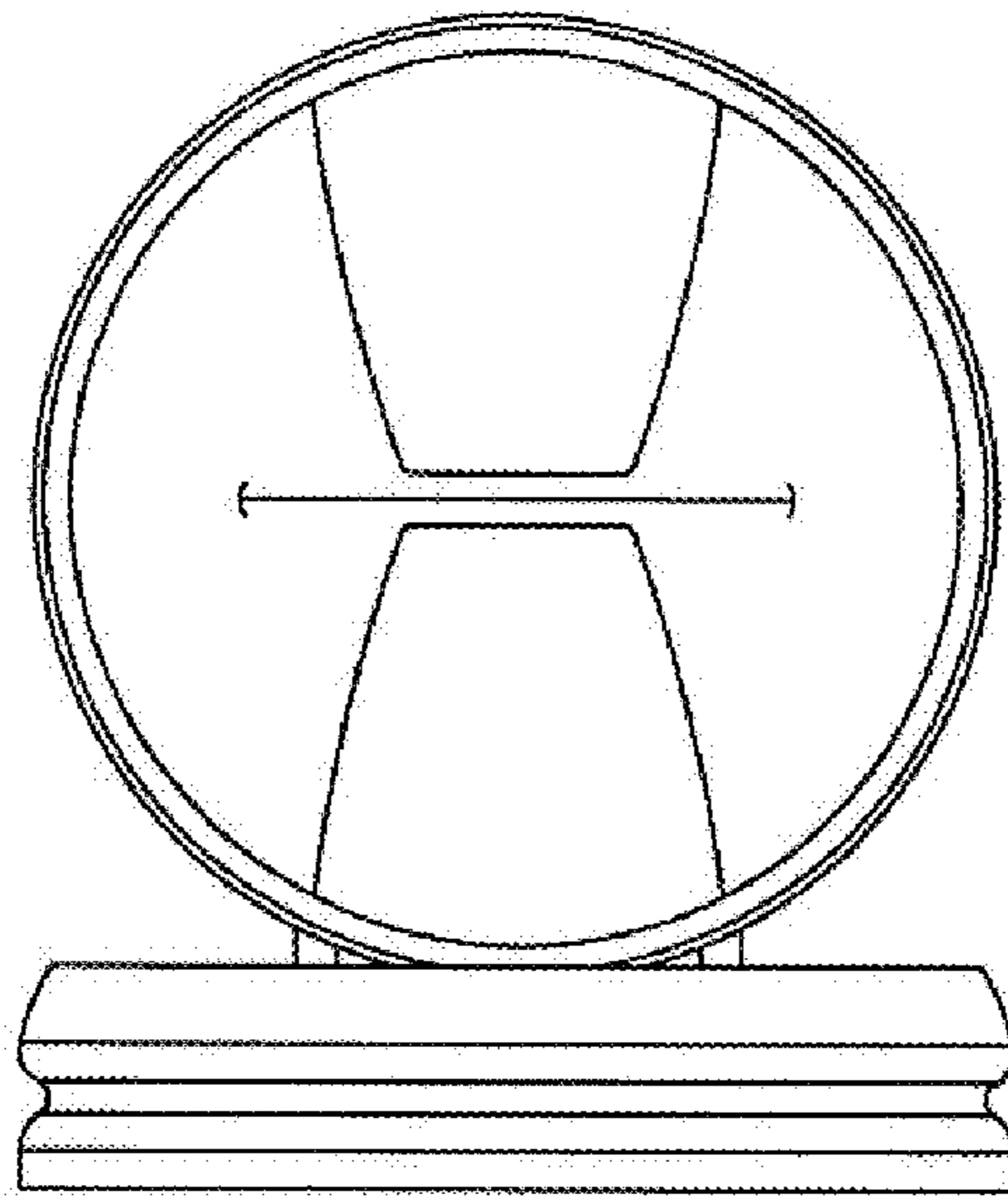


FIG. 1

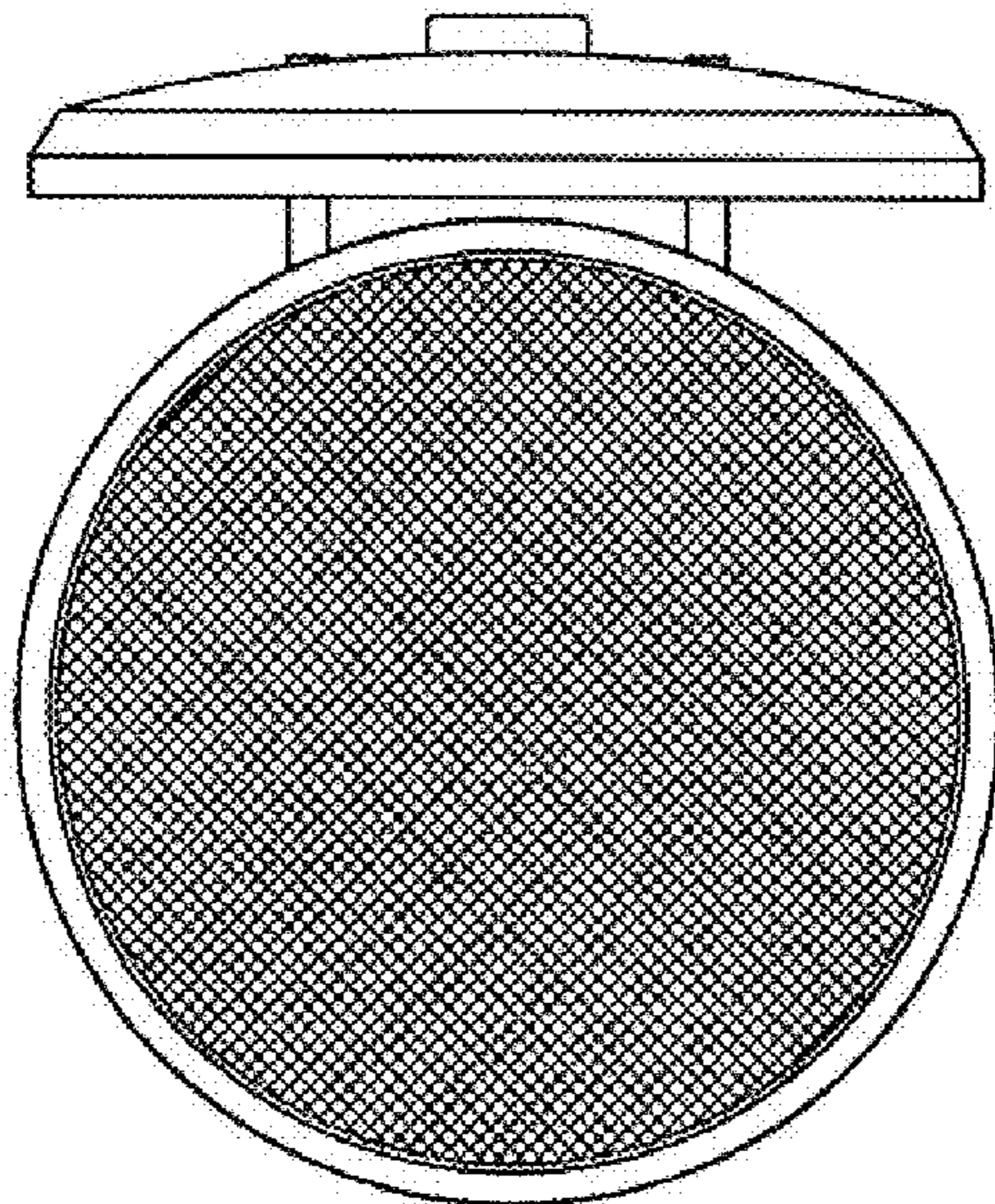


FIG. 2

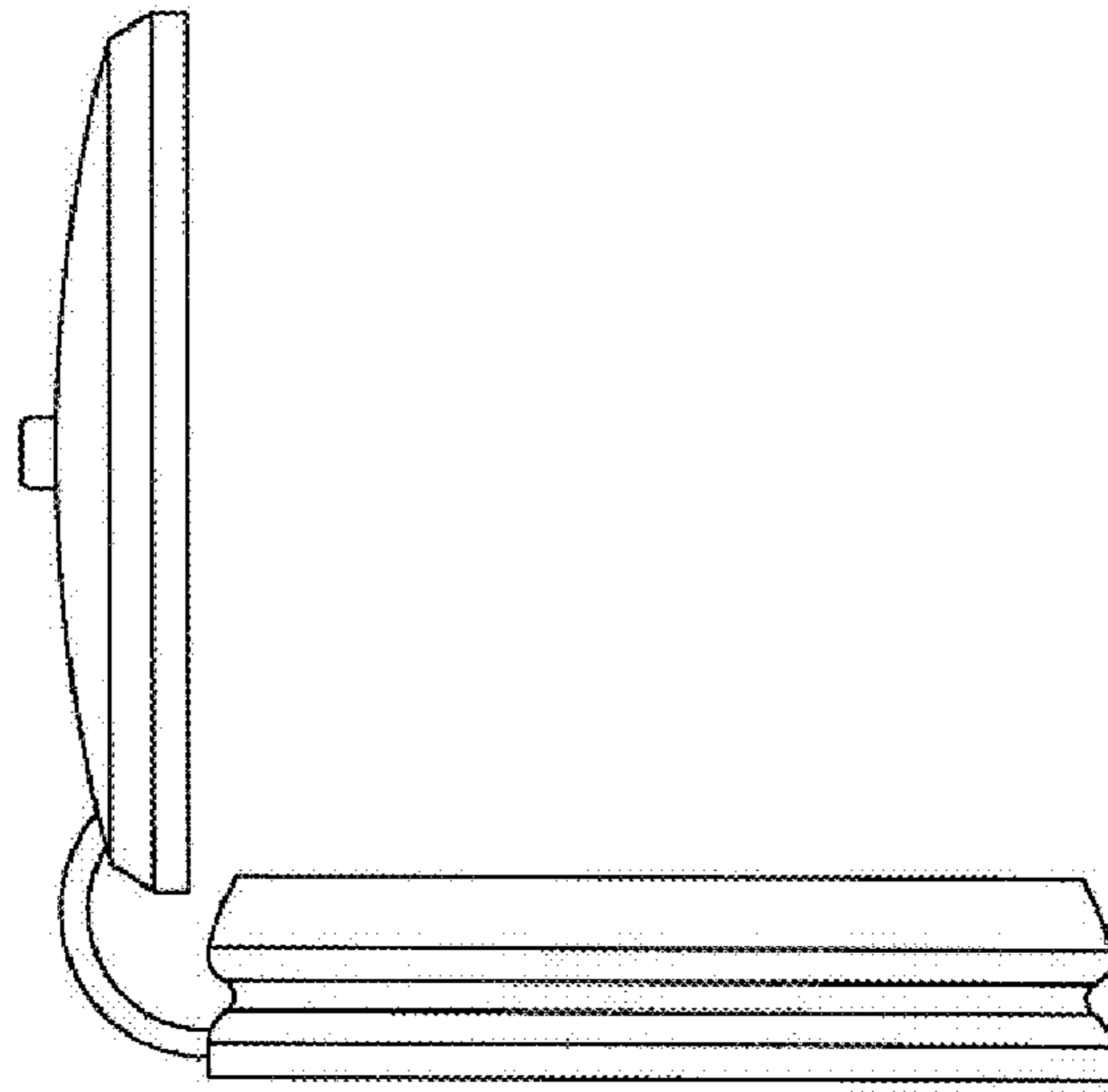


FIG. 3

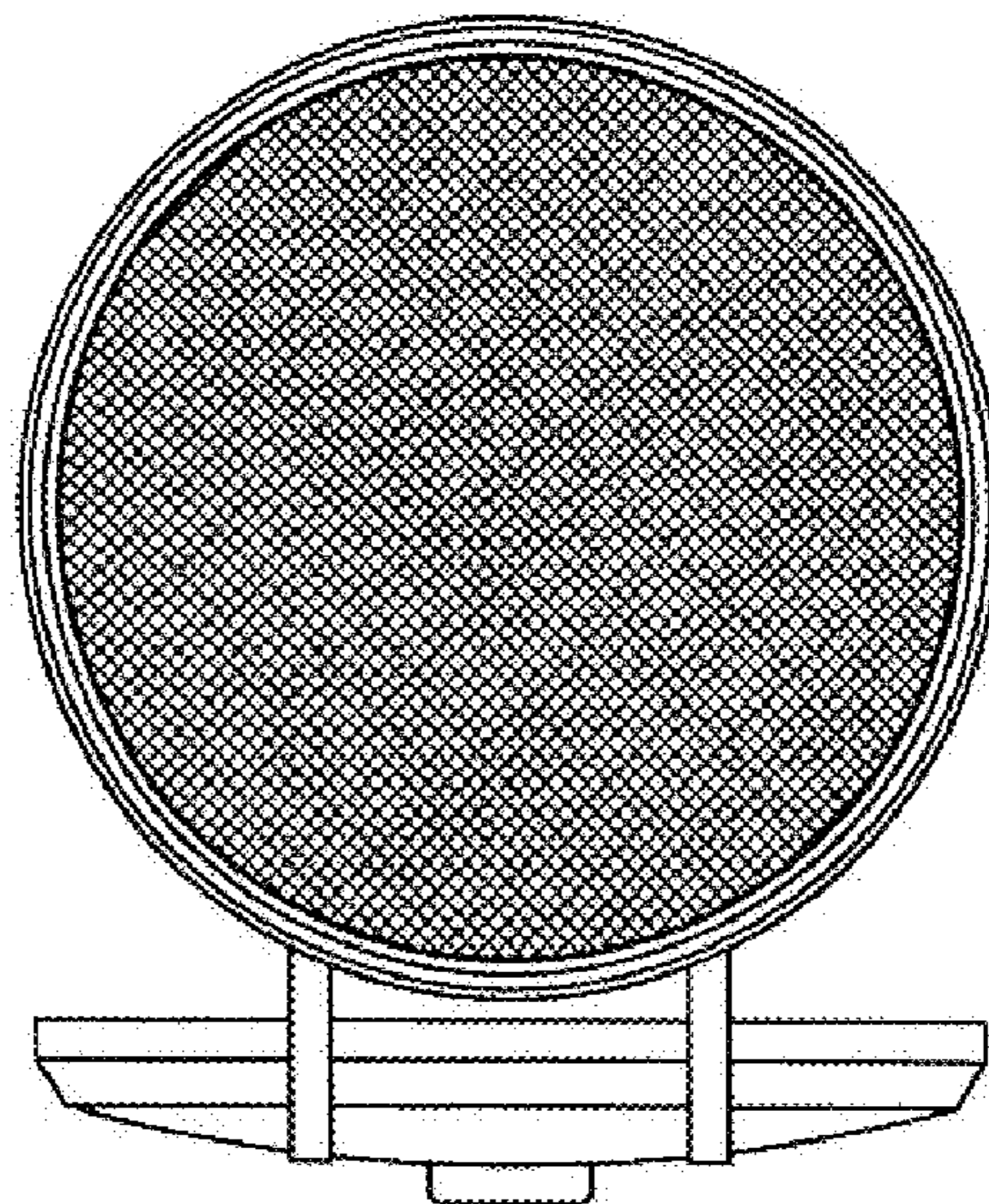


FIG. 4

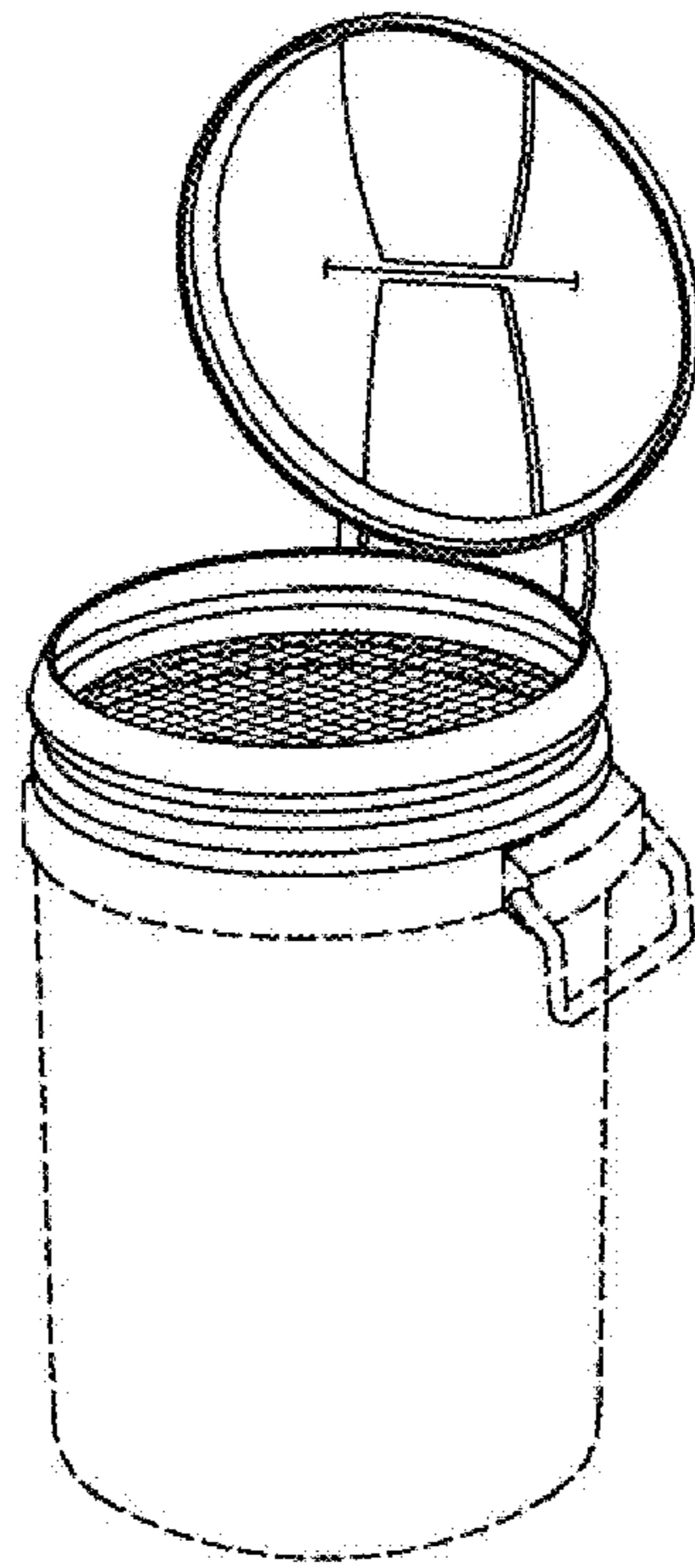


FIG. 5

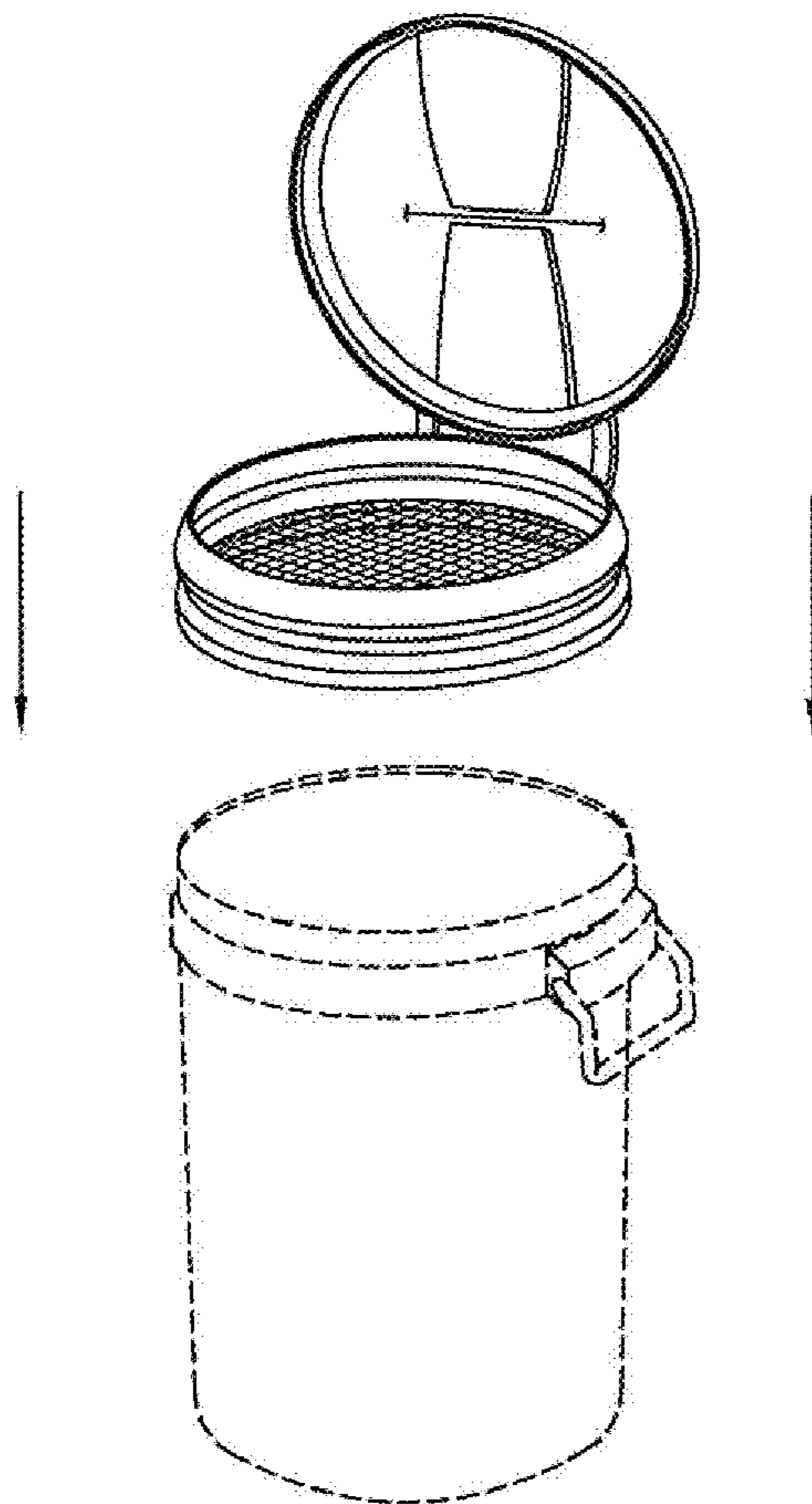


FIG. 6