



US00D596370S

(12) **United States Design Patent**
Yakushi

(10) **Patent No.:** **US D596,370 S**
(45) **Date of Patent:** **** Jul. 14, 2009**

(54) **FORKLIFT TRUCK**

(75) Inventor: **Tadayuki Yakushi**, Kariya (JP)

(73) Assignee: **Kabushiki Kaisha Toyota Jidoshokki**,
Kariya-shi (JP)

(**) Term: **14 Years**

(21) Appl. No.: **29/312,085**

(22) Filed: **Sep. 29, 2008**

(30) **Foreign Application Priority Data**

Apr. 1, 2008 (JP) 2008-008441

(51) **LOC (9) Cl.** **12-05**

(52) **U.S. Cl.** **D34/35; D34/34**

(58) **Field of Classification Search** D34/35,
D34/34; 180/89.12, 89.13, 89.17; 414/572,
414/592, 631; 187/222, 237, 238
See application file for complete search history.

(56) **References Cited**

U.S. PATENT DOCUMENTS

D466,268 S * 11/2002 Kraimer et al. D34/34
D468,885 S * 1/2003 Salin et al. D34/34
D579,620 S * 10/2008 Mori et al. D34/34
D579,623 S * 10/2008 Kim D34/34

FOREIGN PATENT DOCUMENTS

JP D1078082 7/2000

JP D1080712 7/2000
JP D1218299 9/2004
JP D1218685 9/2004
JP D1218686 9/2004
JP D1269024 4/2006

* cited by examiner

Primary Examiner—Cynthia E Ramirez

(74) *Attorney, Agent, or Firm*—Locke Lord Bissell & Liddell
LLP

(57) **CLAIM**

The ornamental design for a forklift truck, as shown and
described.

DESCRIPTION

FIG. 1 is a front perspective view of a forklift truck showing
my new design;

FIG. 2 is a right side view thereof;

FIG. 3 is a left side view thereof;

FIG. 4 is a top plan view thereof;

FIG. 5 is a front view thereof; and,

FIG. 6 is a rear view thereof.

The bottom plan view is not included since the design is for
the heavy article. The broken lines are shown for illustrative
purposes only and form no part of the claimed design.

1 Claim, 6 Drawing Sheets

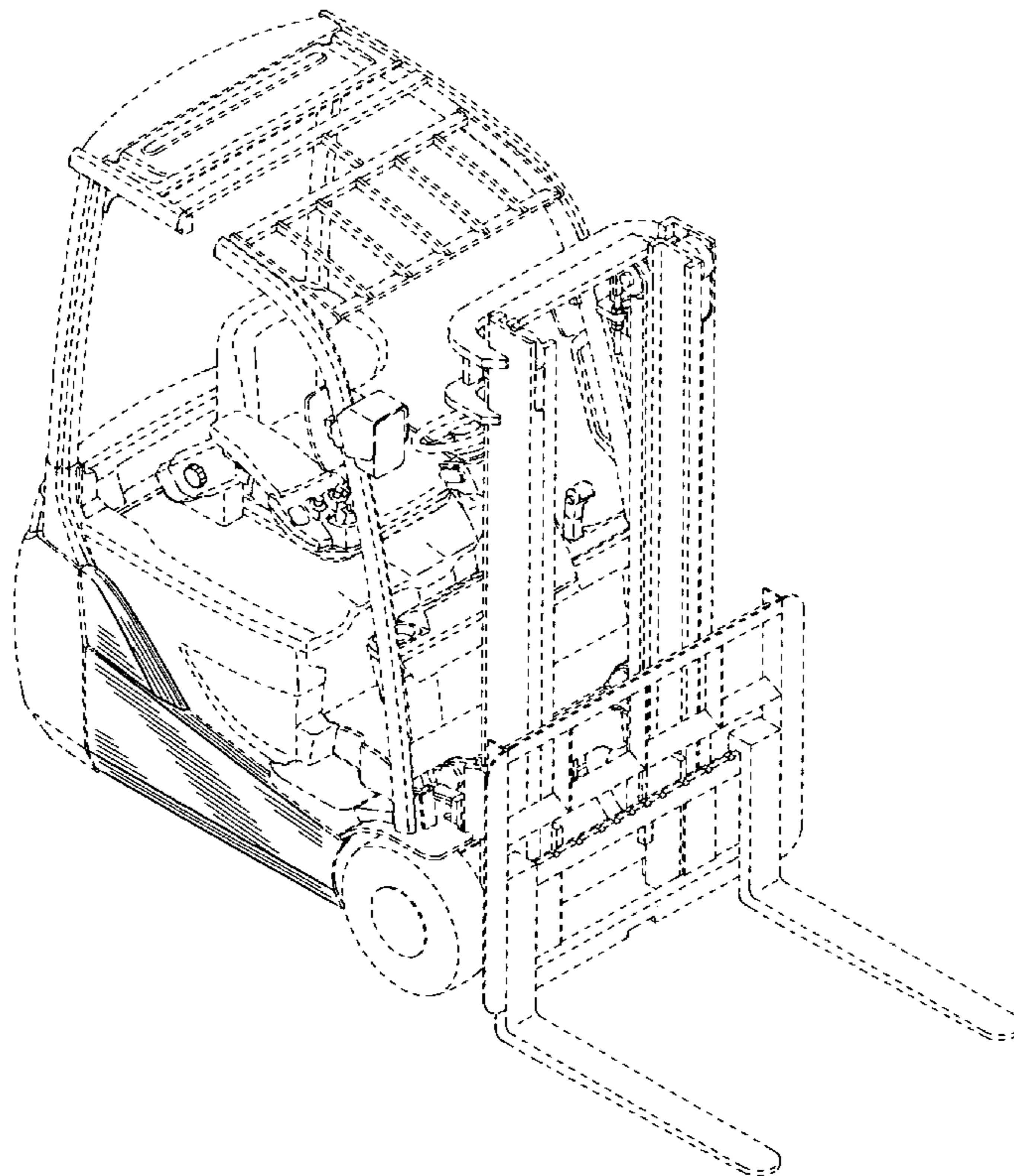


FIG. 1

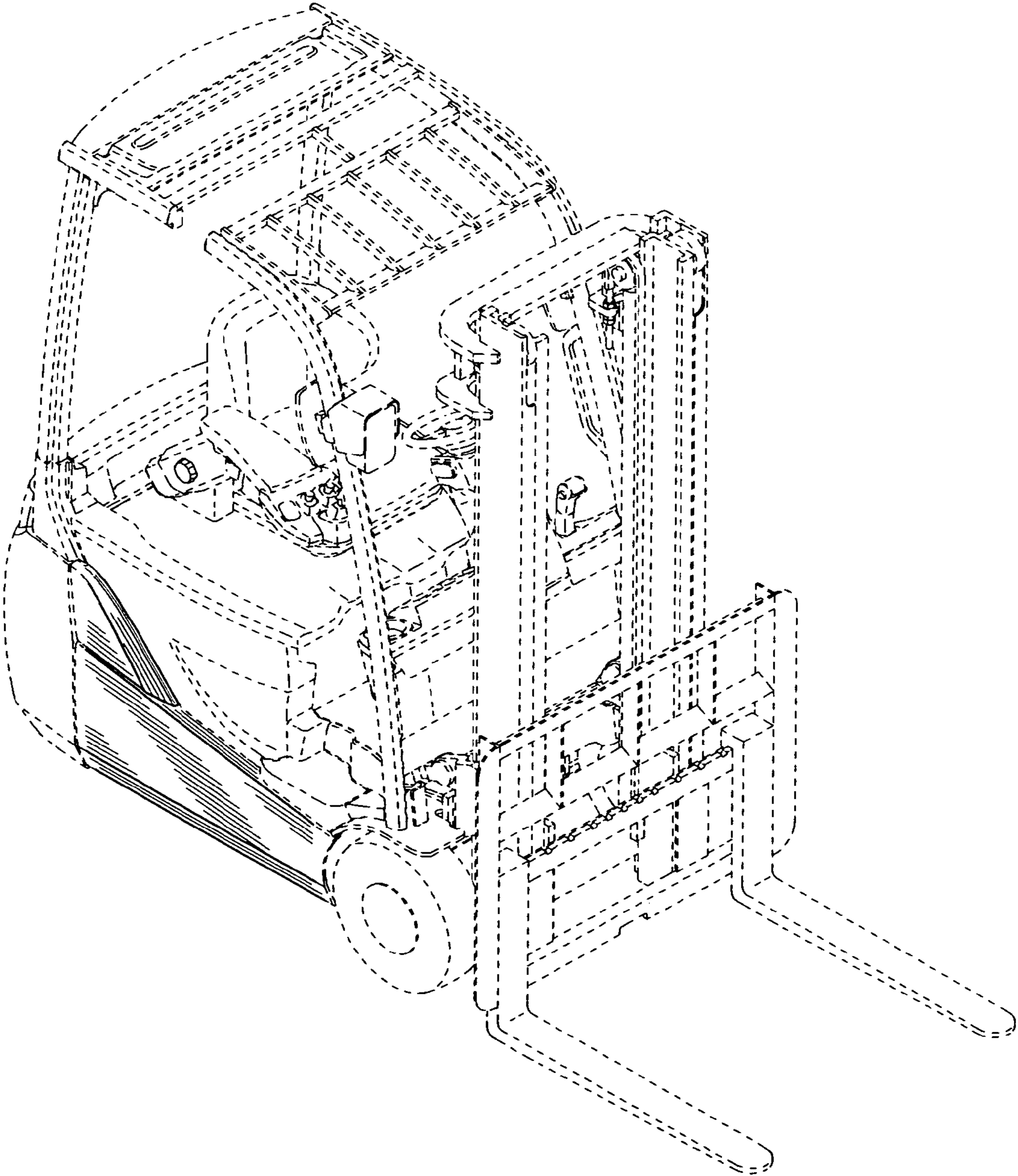


FIG. 2

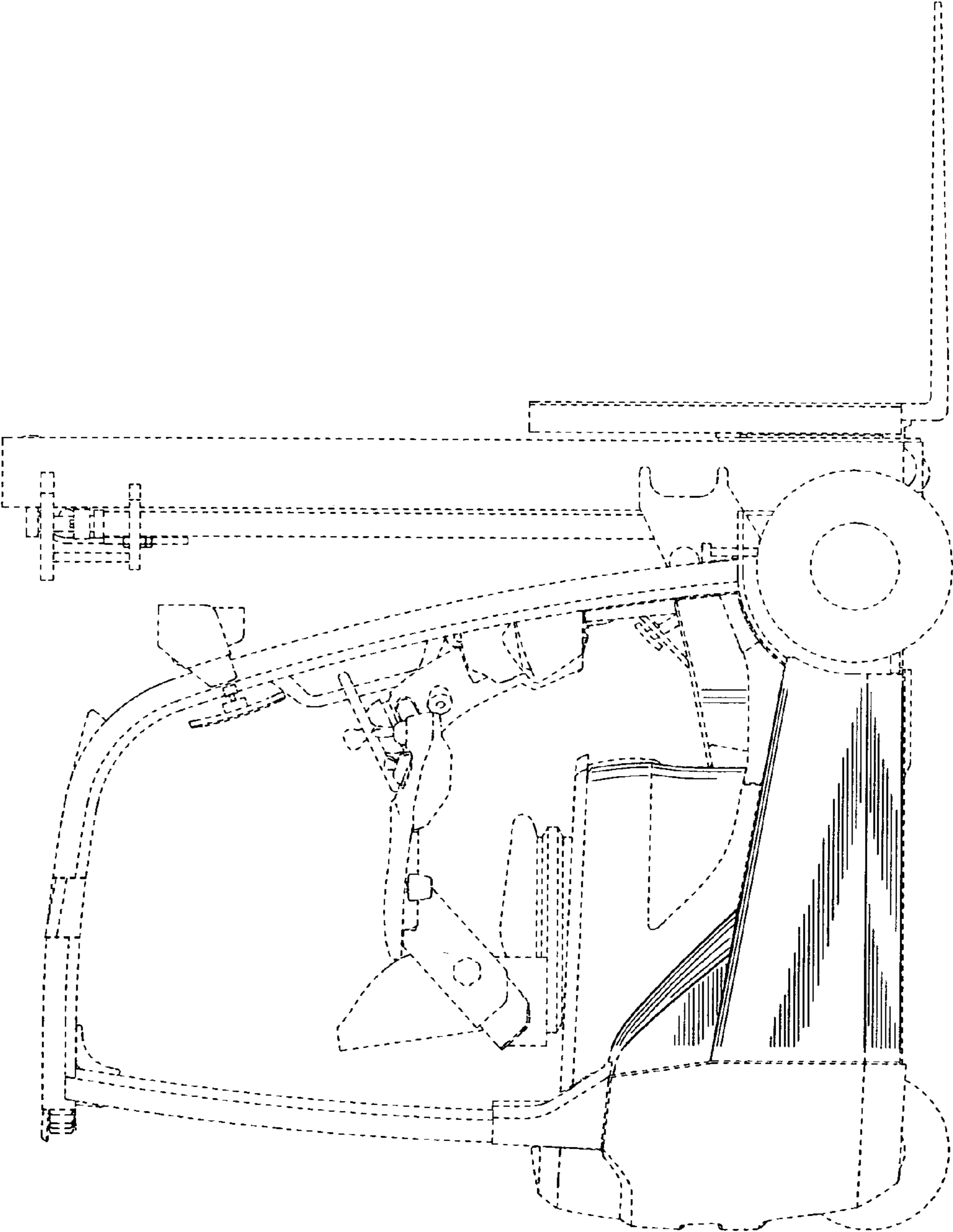


FIG. 3

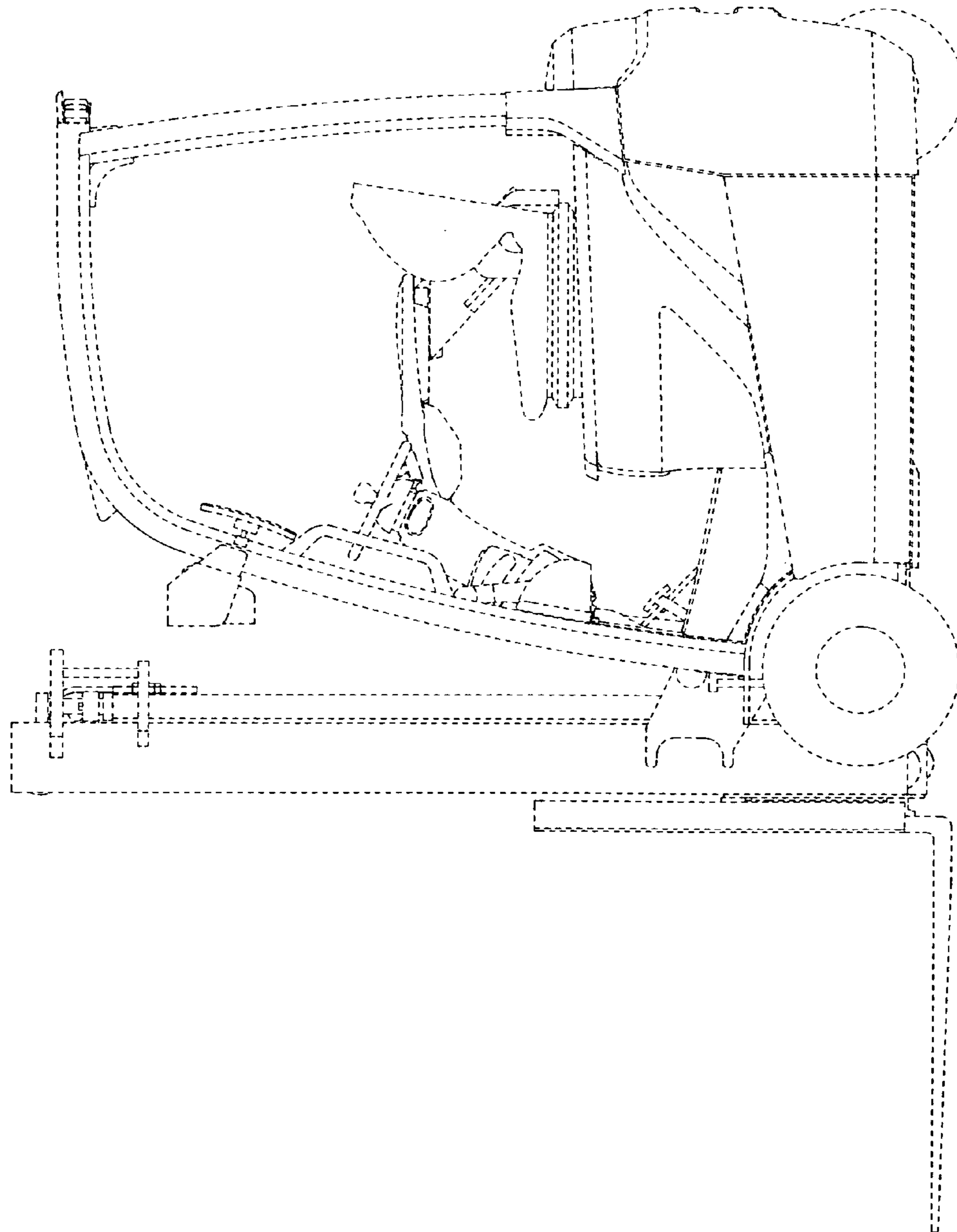


FIG. 4

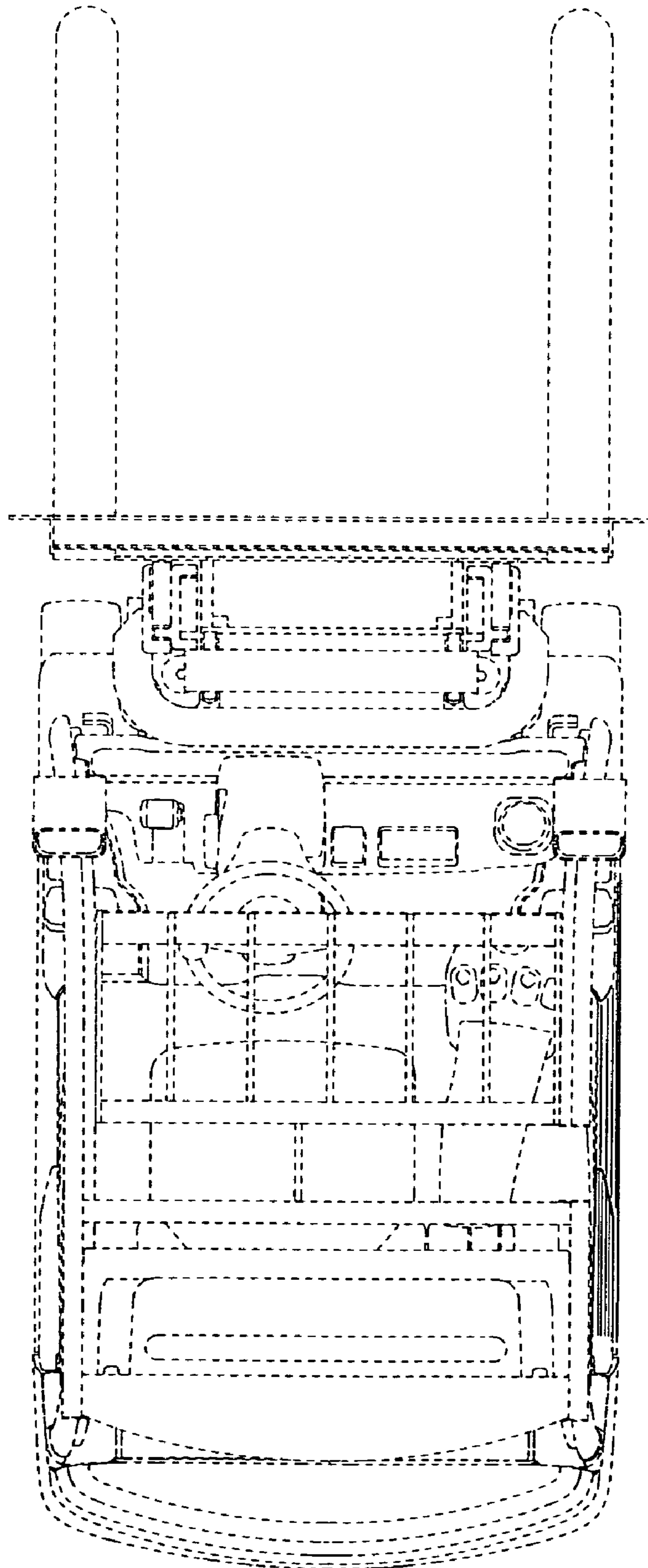


FIG. 5

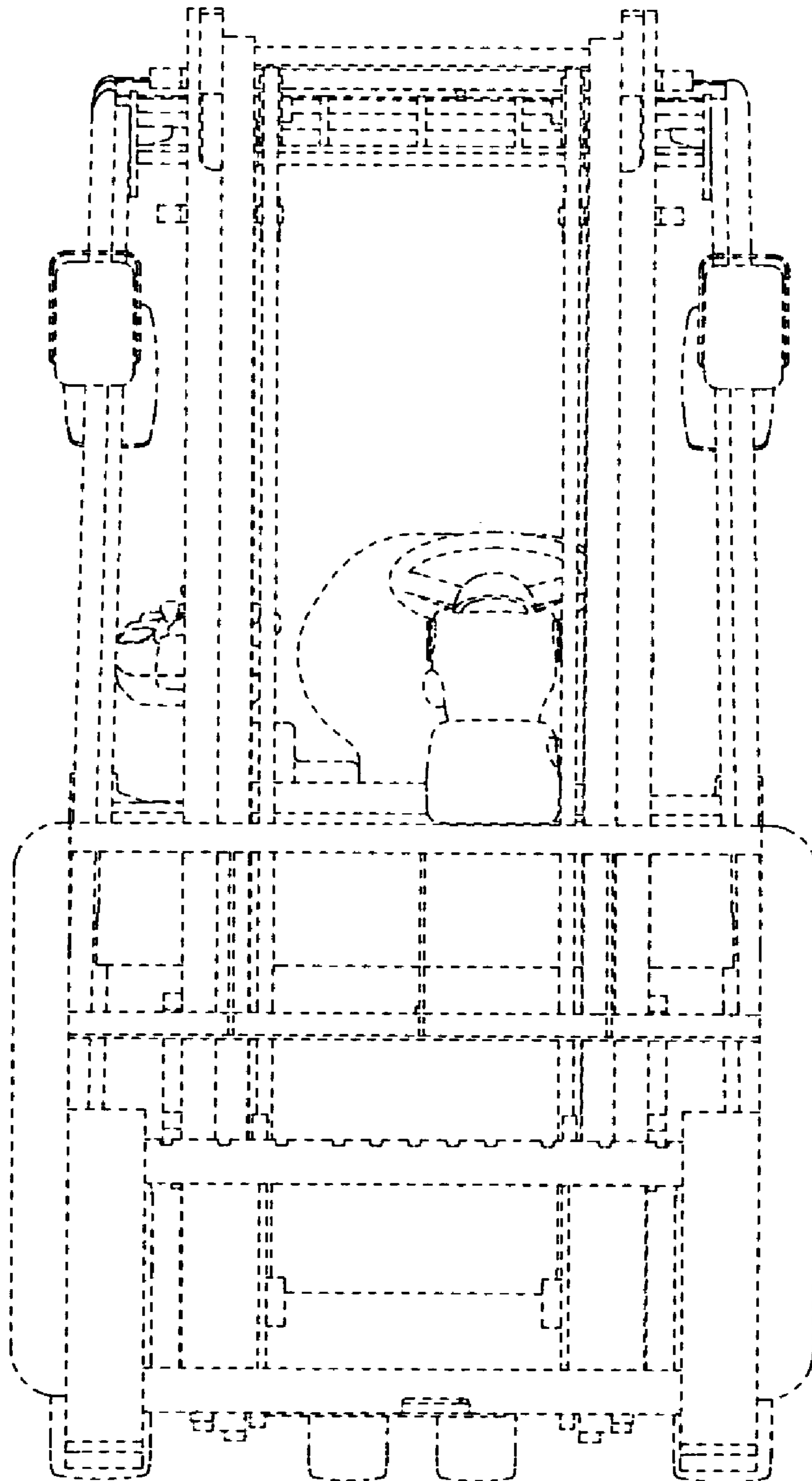


FIG. 6

