



US00D596369S

(12) **United States Design Patent**  
**Walstrom et al.**

(10) **Patent No.:** **US D596,369 S**  
(45) **Date of Patent:** **\*\* Jul. 14, 2009**

(54) **WINCH COVER**

(75) Inventors: **Todd Walstrom**, Weston, WI (US); **Eric Anderson**, Plover, WI (US); **Kawa-She-Queen Okerlund**, Wittenberg, WI (US)

(73) Assignee: **Cequent Trailer Products, Inc.**, Mosinee, WI (US)

(\*\*) Term: **14 Years**

(21) Appl. No.: **29/310,829**

(22) Filed: **Sep. 11, 2008**

(51) **LOC (9) Cl.** ..... **12-05**

(52) **U.S. Cl.** ..... **D34/33**

(58) **Field of Classification Search** ..... D34/32,  
D34/34, 33; 254/264, 265, 97, 266, 362,  
254/323

See application file for complete search history.

(56) **References Cited**

**U.S. PATENT DOCUMENTS**

- 3,222,742 A \* 12/1965 Persiaux ..... 24/134 N
- 3,485,478 A \* 12/1969 Desplats et al. .... 254/106
- D238,861 S \* 2/1976 Cavalieri ..... D34/28
- D364,027 S \* 11/1995 Hung ..... D34/33
- D407,883 S \* 4/1999 Okerlund et al. .... D34/33
- D427,408 S \* 6/2000 Daniels et al. .... D34/33
- D438,358 S \* 2/2001 Huang ..... D34/33

- D571,973 S \* 6/2008 Burns et al. .... D34/33
- D573,775 S \* 7/2008 Burns et al. .... D34/33
- 2007/0267612 A1 \* 11/2007 Dueck ..... 254/266

\* cited by examiner

*Primary Examiner*—Cynthia E Ramirez

(74) *Attorney, Agent, or Firm*—Robert H. Earp, III; McDonald Hopkins LLC

(57) **CLAIM**

The ornamental design for a winch cover, as shown and described.

**DESCRIPTION**

FIG. 1 is a top, front and left perspective view of a winch cover showing our new design;

FIG. 2 is another perspective view of the winch cover;

FIG. 3 is a left side view thereof;

FIG. 4 is a right side view thereof;

FIG. 5 is a front view thereof;

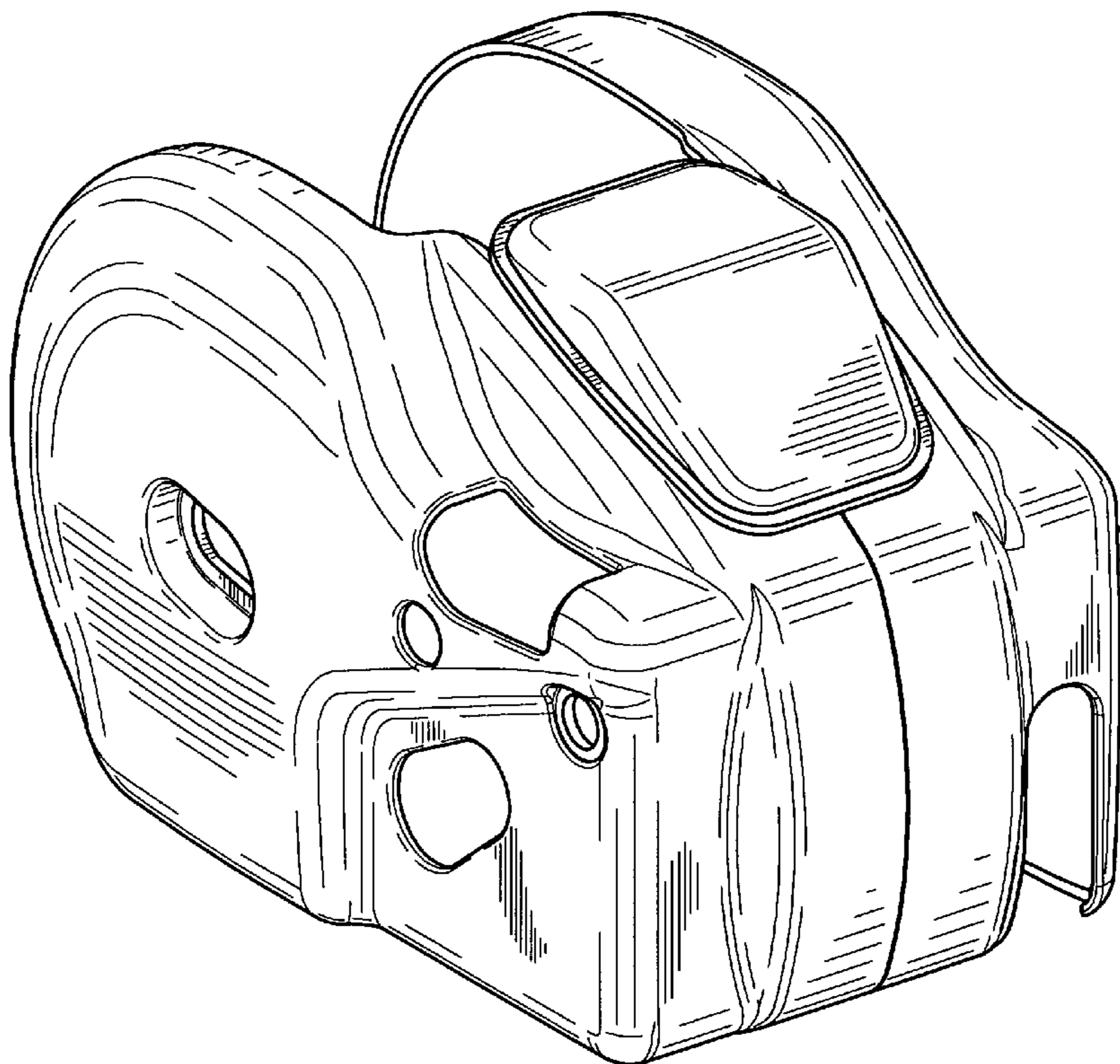
FIG. 6 is a rear view thereof;

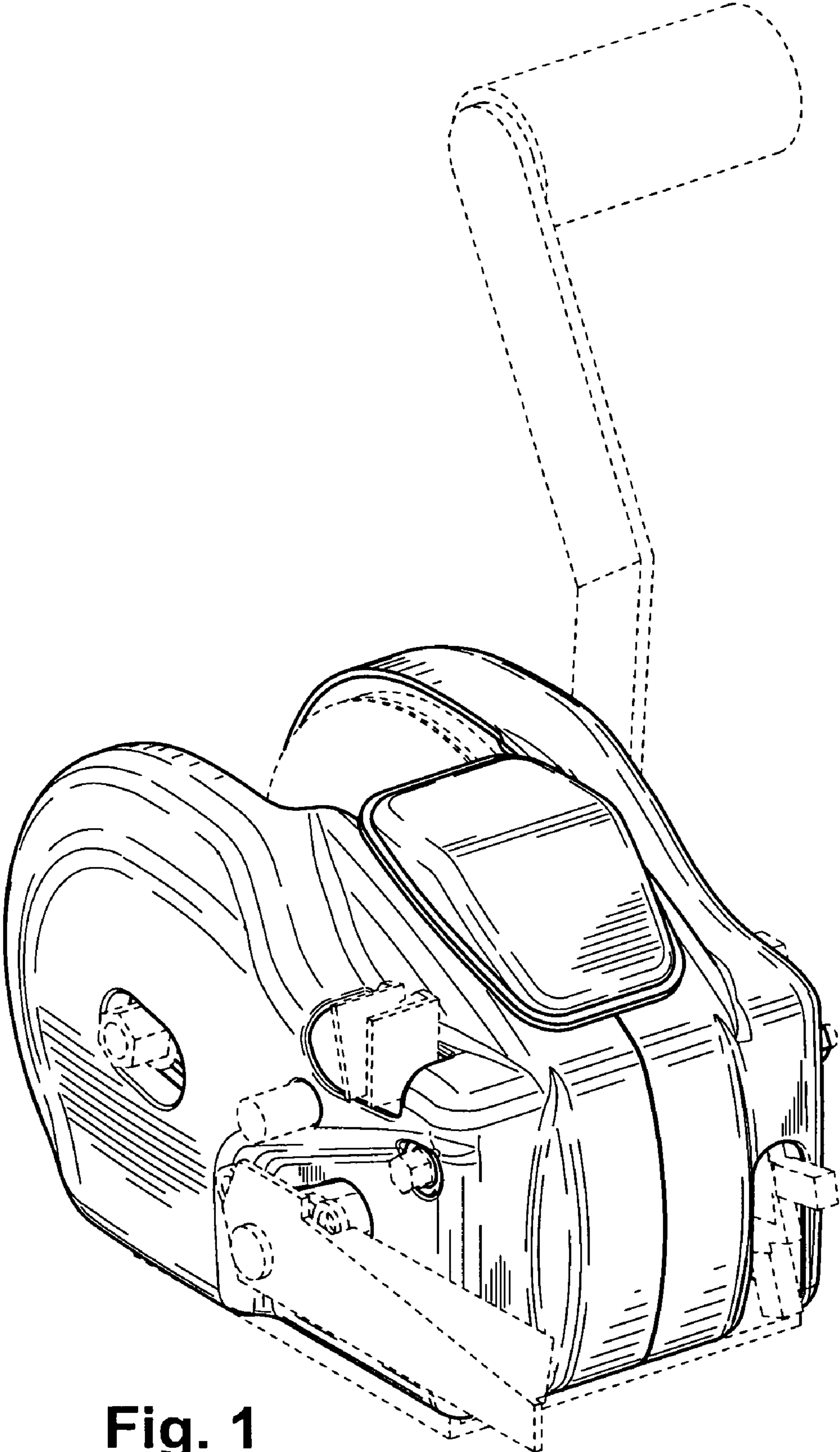
FIG. 7 is a top view thereof; and,

FIG. 8 is a bottom view thereof.

The broken lines in FIGS. 1, 6, 7 and 8 are included for the purpose of illustrating environment and form no part of the claimed design.

**1 Claim, 5 Drawing Sheets**

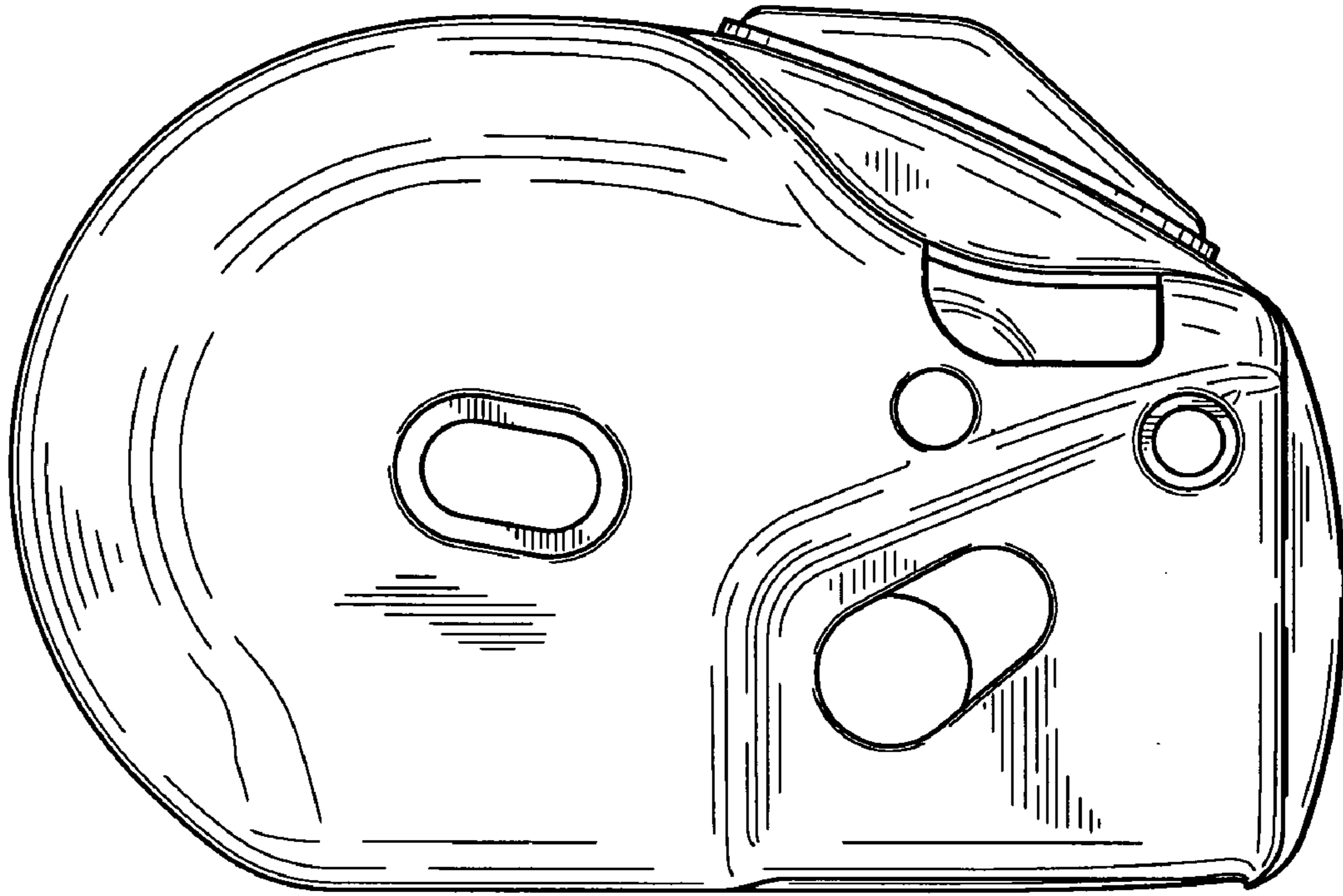




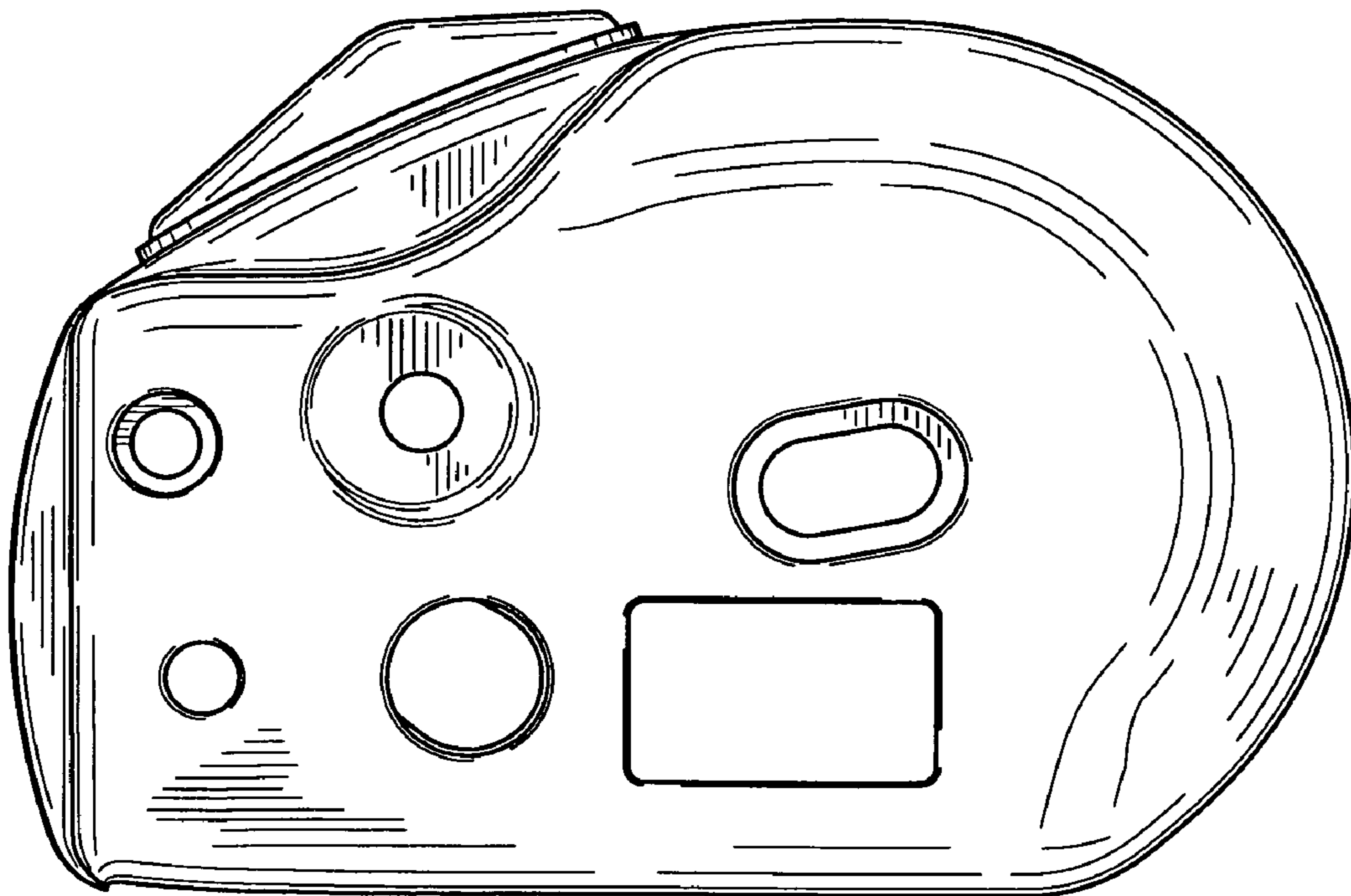
**Fig. 1**



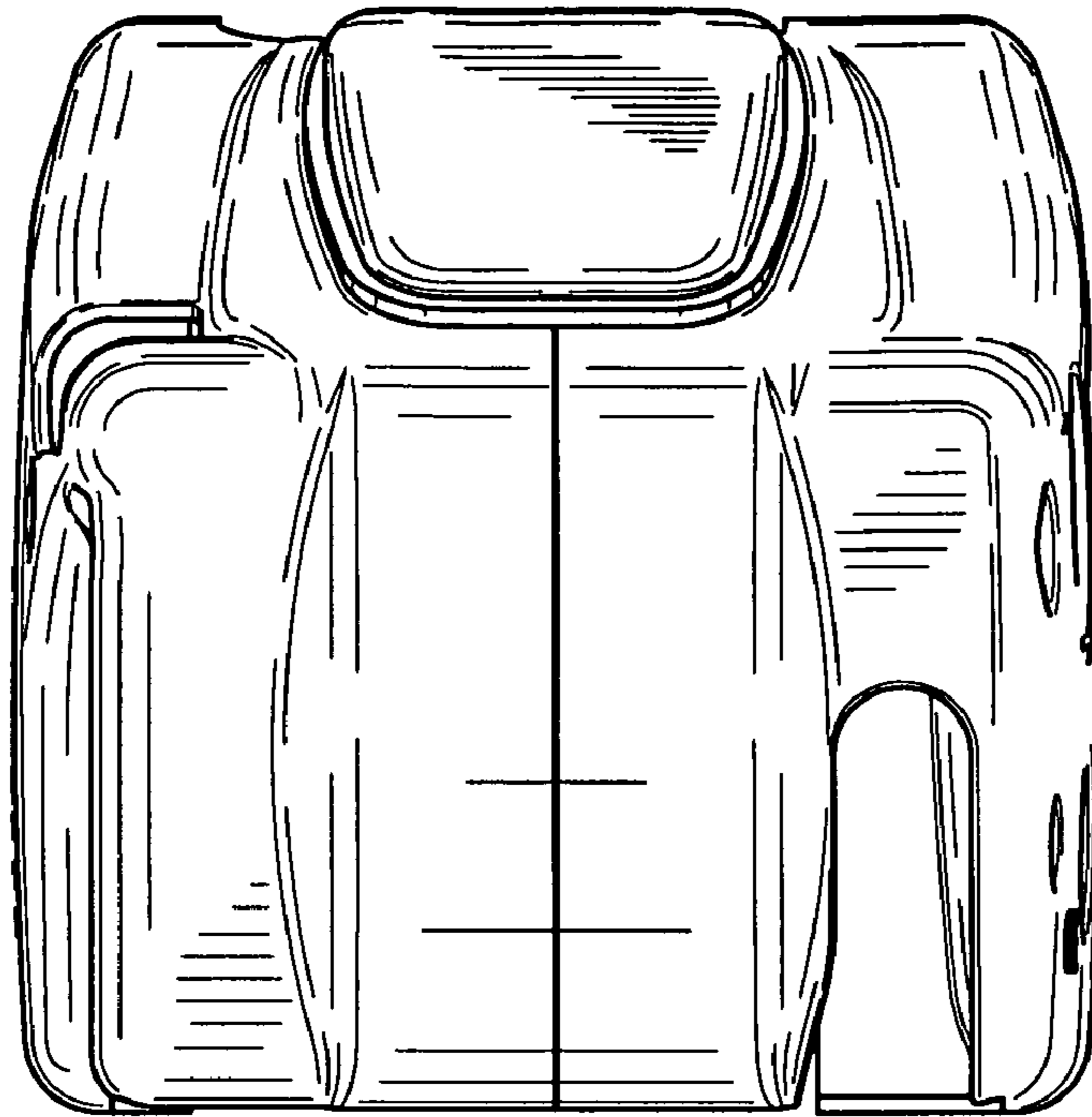
Fig. 2



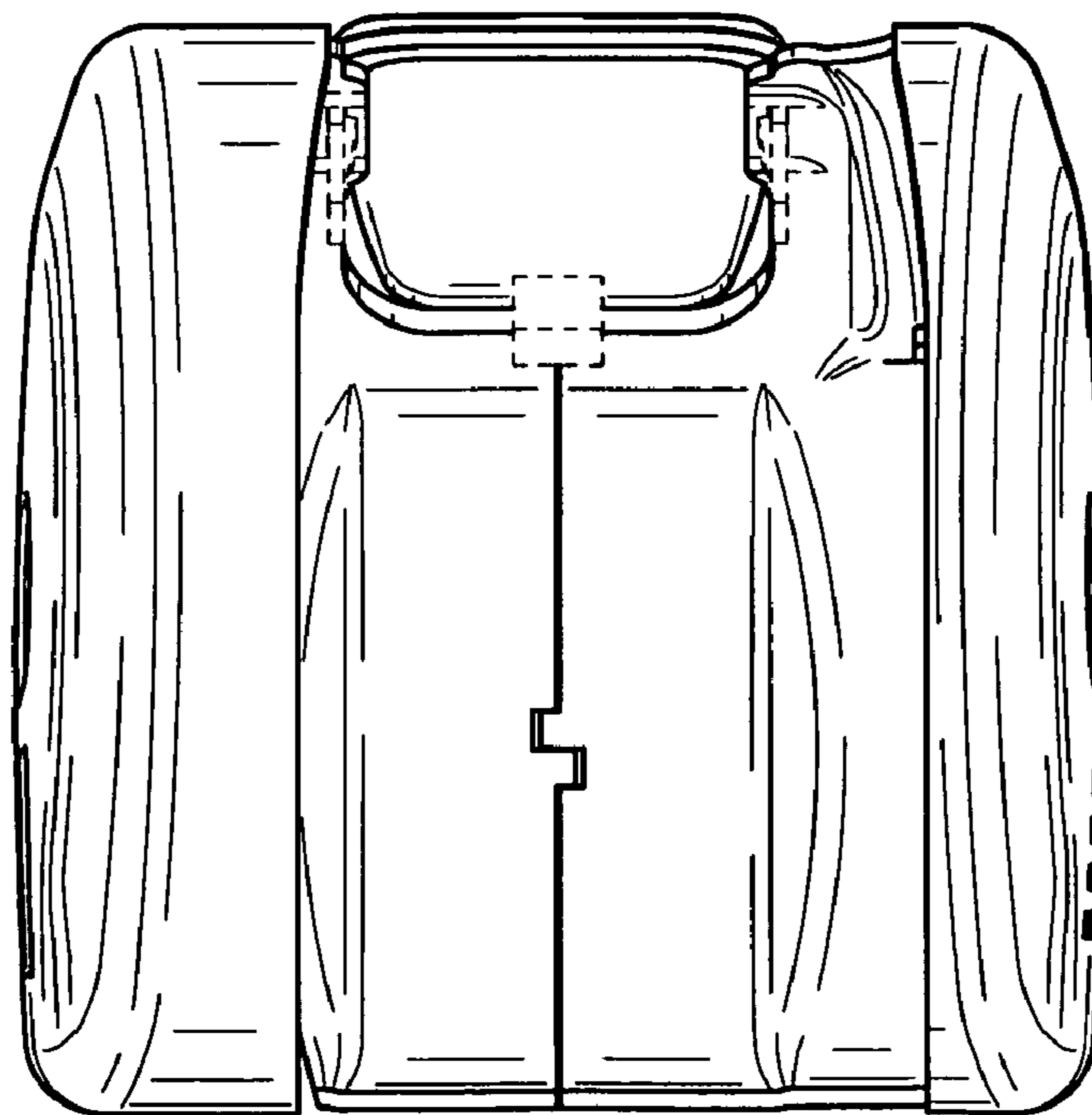
**Fig. 3**



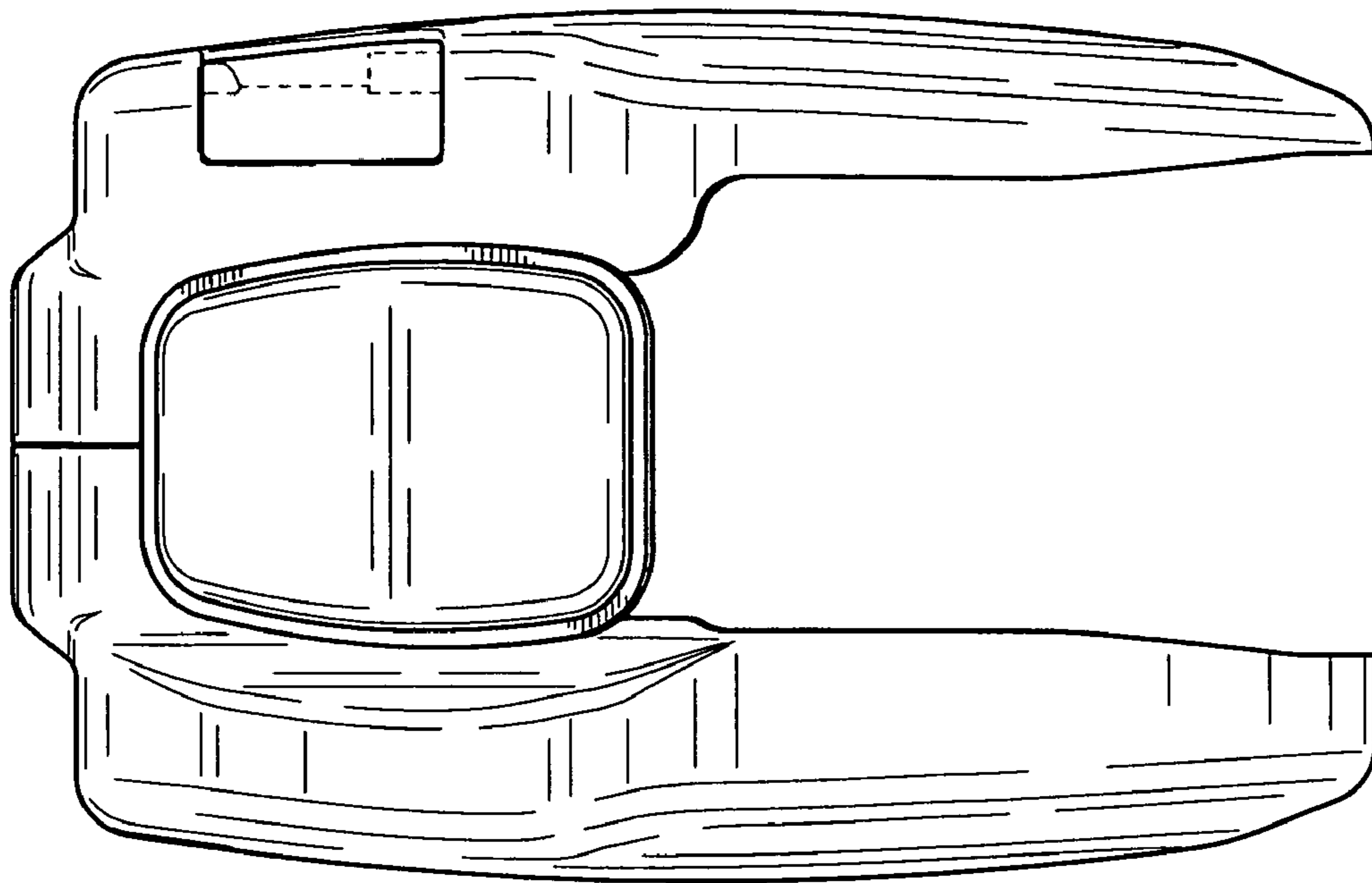
**Fig. 4**



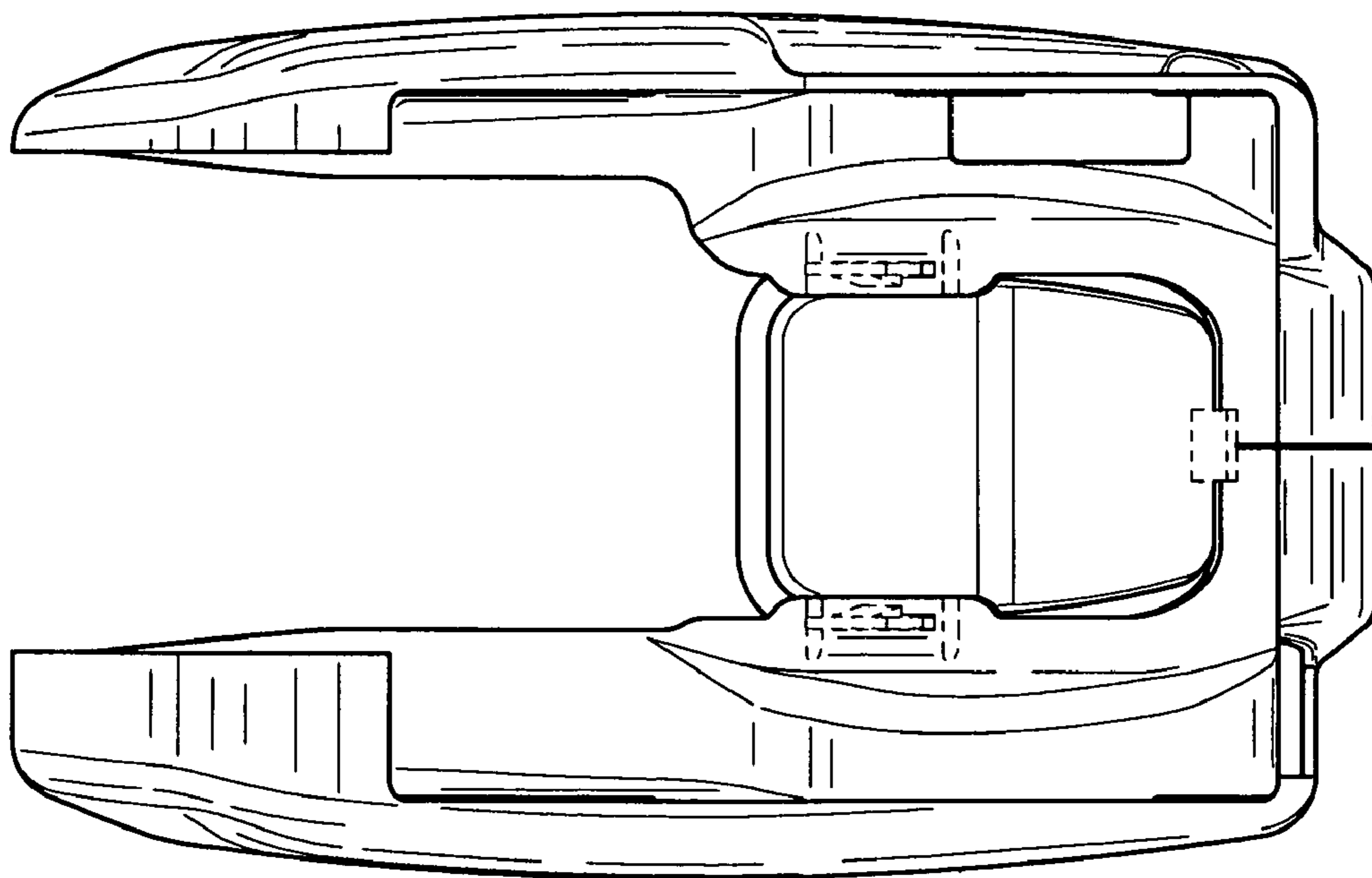
**Fig. 5**



**Fig. 6**



**Fig. 7**



**Fig. 8**