



US00D596368S

(12) **United States Design Patent**
Holicki

(10) **Patent No.:** **US D596,368 S**

(45) **Date of Patent:** **** Jul. 14, 2009**

(54) **COMBINED WHEELCHAIR PLATFORM AND
DETACHABLE RAMP**

2002/0129452 A1* 9/2002 Pelosi, Jr. 14/69.5
2004/0096304 A1* 5/2004 Lewis et al. 414/537
2009/0035113 A1* 2/2009 Morris et al. 414/537

(76) Inventor: **Joseph P. Holicki**, 111 Carlyle Ave.,
Coldwater, MI (US) 49036

* cited by examiner

(**) Term: **14 Years**

Primary Examiner—Cynthia E Ramirez
(74) *Attorney, Agent, or Firm*—Weiner & Burt P.C.; Irwing
M. Weiner; Pamela S. Burt

(21) Appl. No.: **29/299,330**

(22) Filed: **Dec. 21, 2007**

(57) **CLAIM**

(51) **LOC (9) Cl.** **12-05**

The ornamental design for a “combined wheelchair platform
and detachable ramp,” as shown and described.

(52) **U.S. Cl.** **D34/32**

(58) **Field of Classification Search** D34/32,
D34/28; 14/69.5, 2.4, 71.1, 71.3, 304.1;
254/88; 414/537

DESCRIPTION

See application file for complete search history.

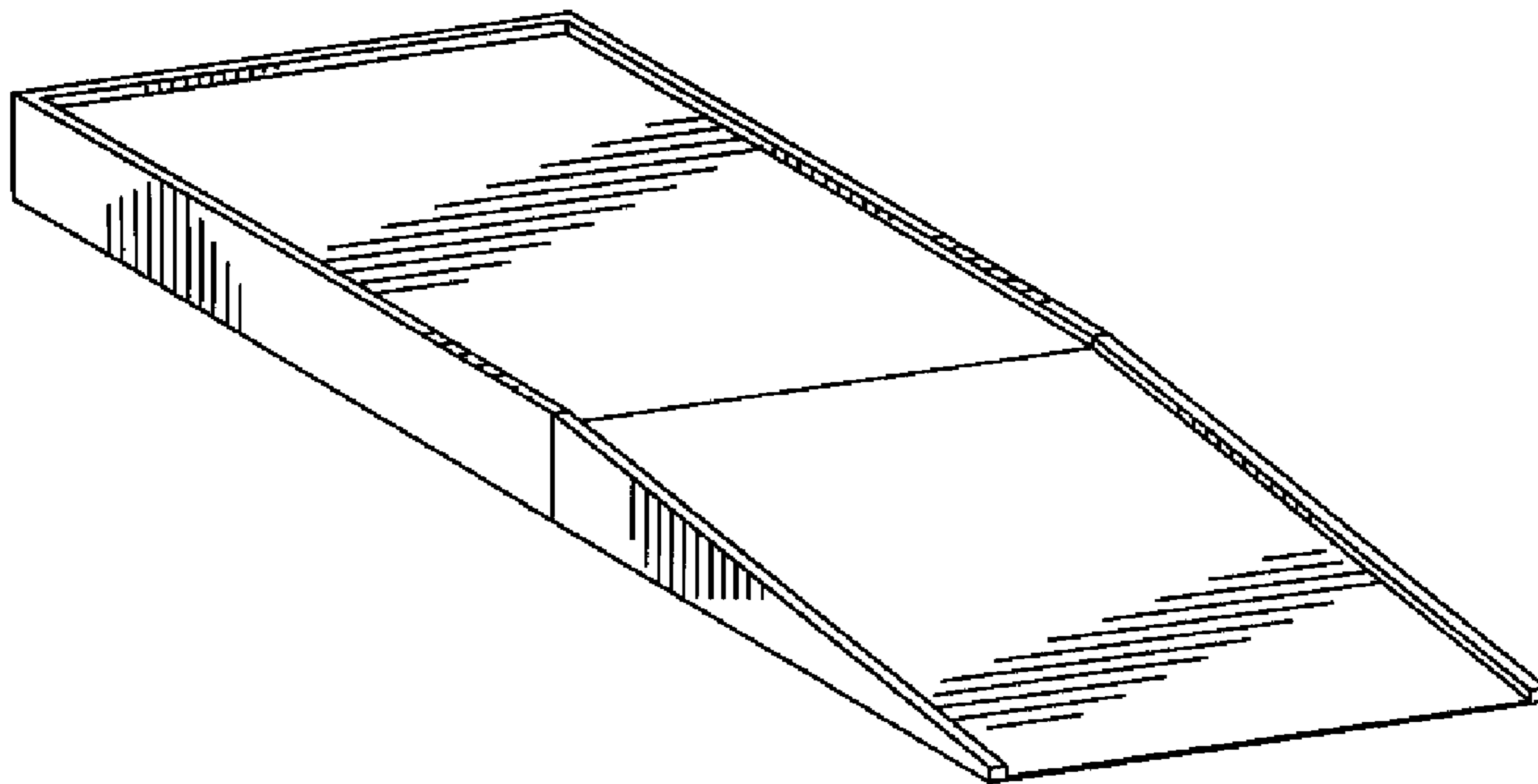
FIG. 1 is a front perspective view showing my new design;
FIG. 2 is a left side elevational view thereof;
FIG. 3 is right side elevational view thereof;
FIG. 4 is a rear elevational view thereof;
FIG. 5 is a top plan view thereof;
FIG. 6 is a bottom view thereof; and,
FIG. 7 is a front elevational view thereof.

(56) **References Cited**

U.S. PATENT DOCUMENTS

4,759,682 A * 7/1988 Hood 414/537
5,598,594 A * 2/1997 Milliken et al. 14/69.5
6,241,452 B1 * 6/2001 Eekhoff 414/537
6,536,363 B1 * 3/2003 Carlberg 114/72
6,708,361 B1 * 3/2004 Emerson, Jr. 14/69.5
2002/0108190 A1 * 8/2002 Martinez 14/69.5

1 Claim, 2 Drawing Sheets



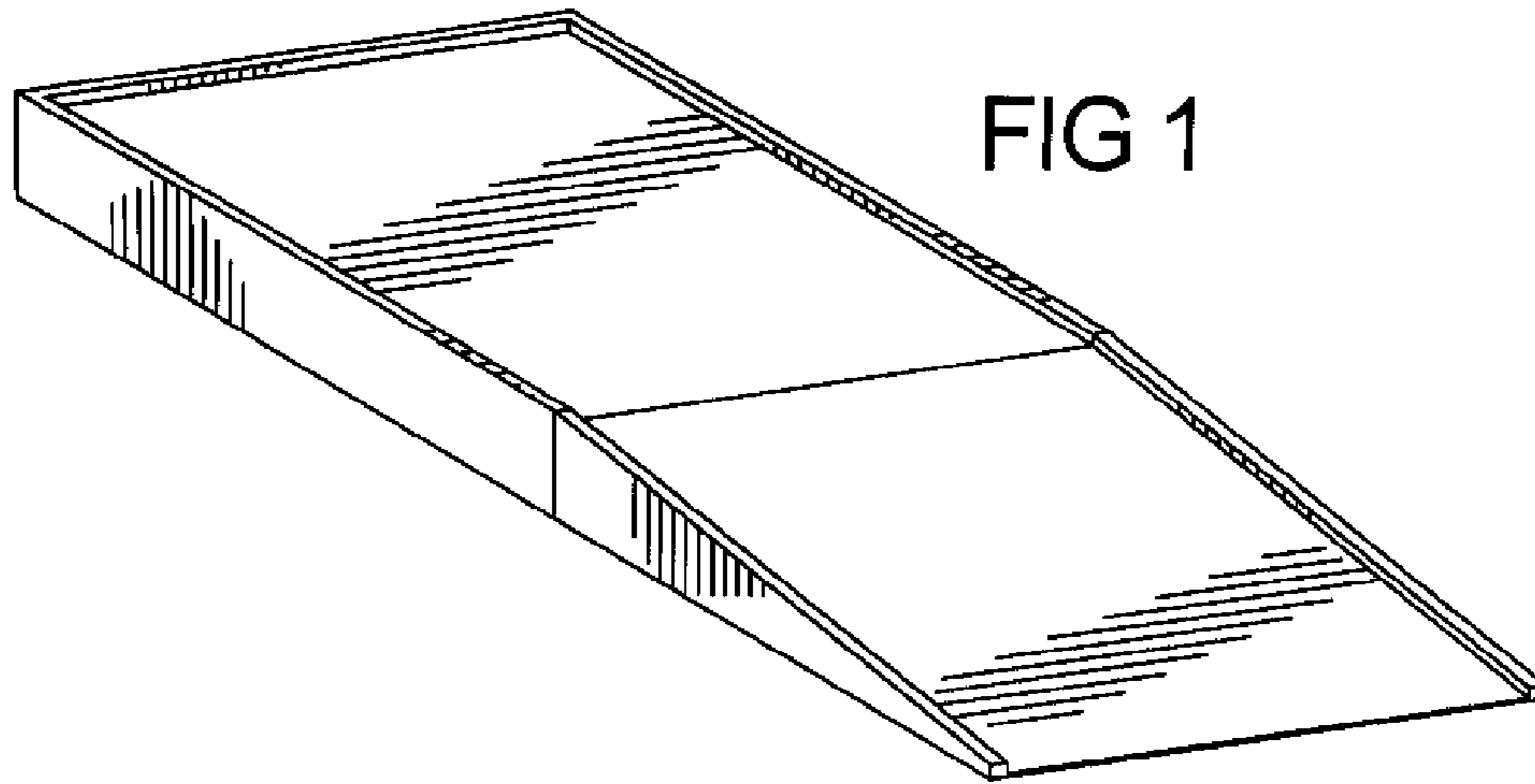


FIG 2

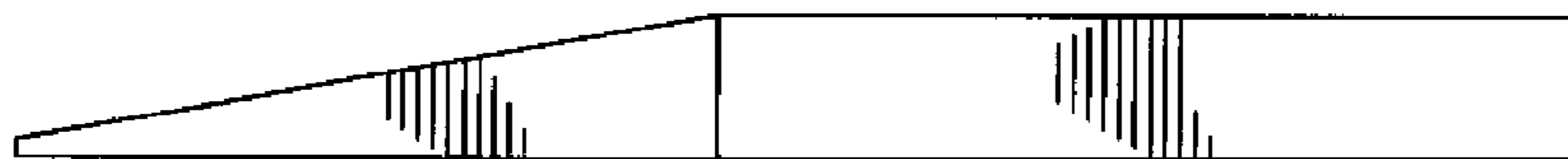


FIG 3

FIG 4

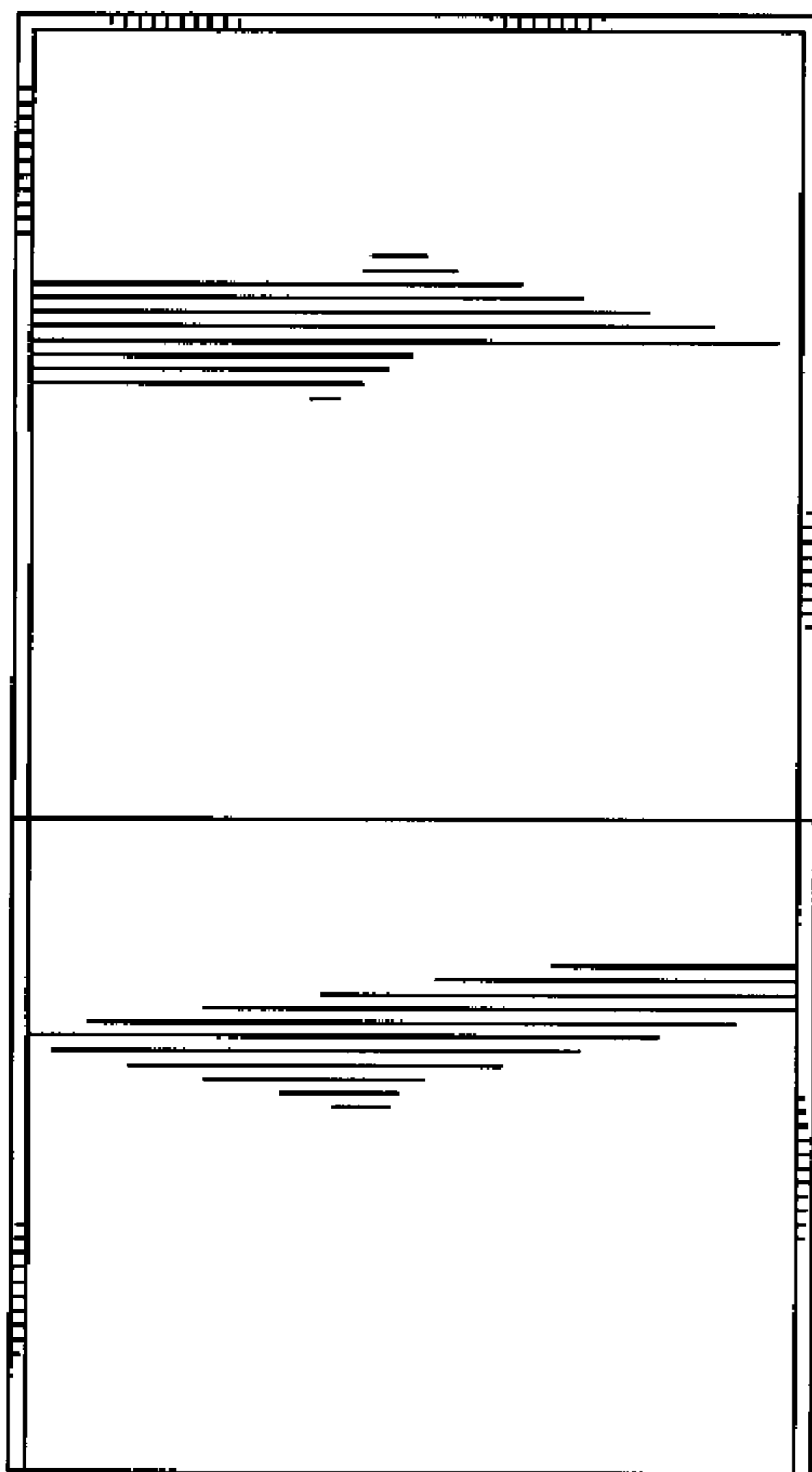


FIG 5

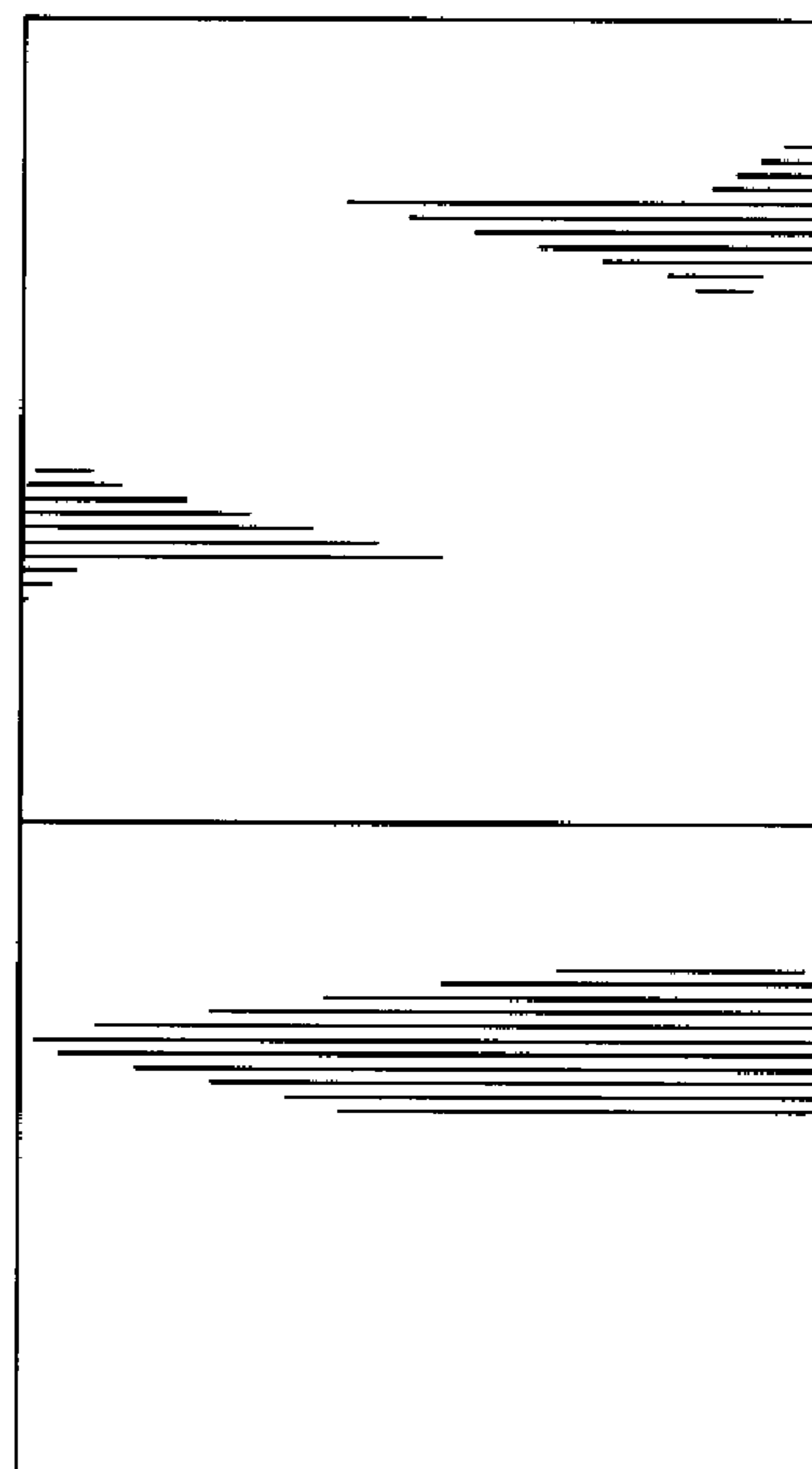


FIG 6



FIG 7