



US00D596367S

(12) **United States Design Patent**  
**Katz**

(10) **Patent No.:** **US D596,367 S**  
(45) **Date of Patent:** **\*\* Jul. 14, 2009**

(54) **ROLLING CONTAINER DEVICE**

2002/0030425 A1\* 3/2002 Tiramani et al. .... 312/108

\* cited by examiner

(75) Inventor: **Amir Katz**, Bat-Heffer (IL)

*Primary Examiner*—Cynthia E Ramirez

(73) Assignee: **Zag Industries Ltd.**, Rosh Ha' Ayin (IL)

(74) *Attorney, Agent, or Firm*—Pillsbury Winthrop Shaw Pittman LLP

(\*\*) Term: **14 Years**

(57) **CLAIM**

(21) Appl. No.: **29/303,290**

The ornamental design for a rolling container device, as shown and described.

(22) Filed: **Feb. 5, 2008**

(51) **LOC (9) Cl.** ..... **12-02**

(52) **U.S. Cl.** ..... **D34/19**

(58) **Field of Classification Search** ..... D34/12-27;  
312/108, 902, 244, 249.1, 249.8; 280/33.998,  
280/37, 47.35, 47.24, 47.26, 652, 655, 655.1,  
280/47.19

See application file for complete search history.

**DESCRIPTION**

FIG. 1 is a perspective view of a rolling container device according to my design;

FIG. 2 is a left side view of the design of FIG. 1;

FIG. 3 is a right side view of the design of FIG. 1;

FIG. 4 is a front view of the design of FIG. 1;

FIG. 5 is a rear view of the design of FIG. 1;

FIG. 6 is a top view of the design of FIG. 1; and,

FIG. 7 is a bottom view of the design of FIG. 1.

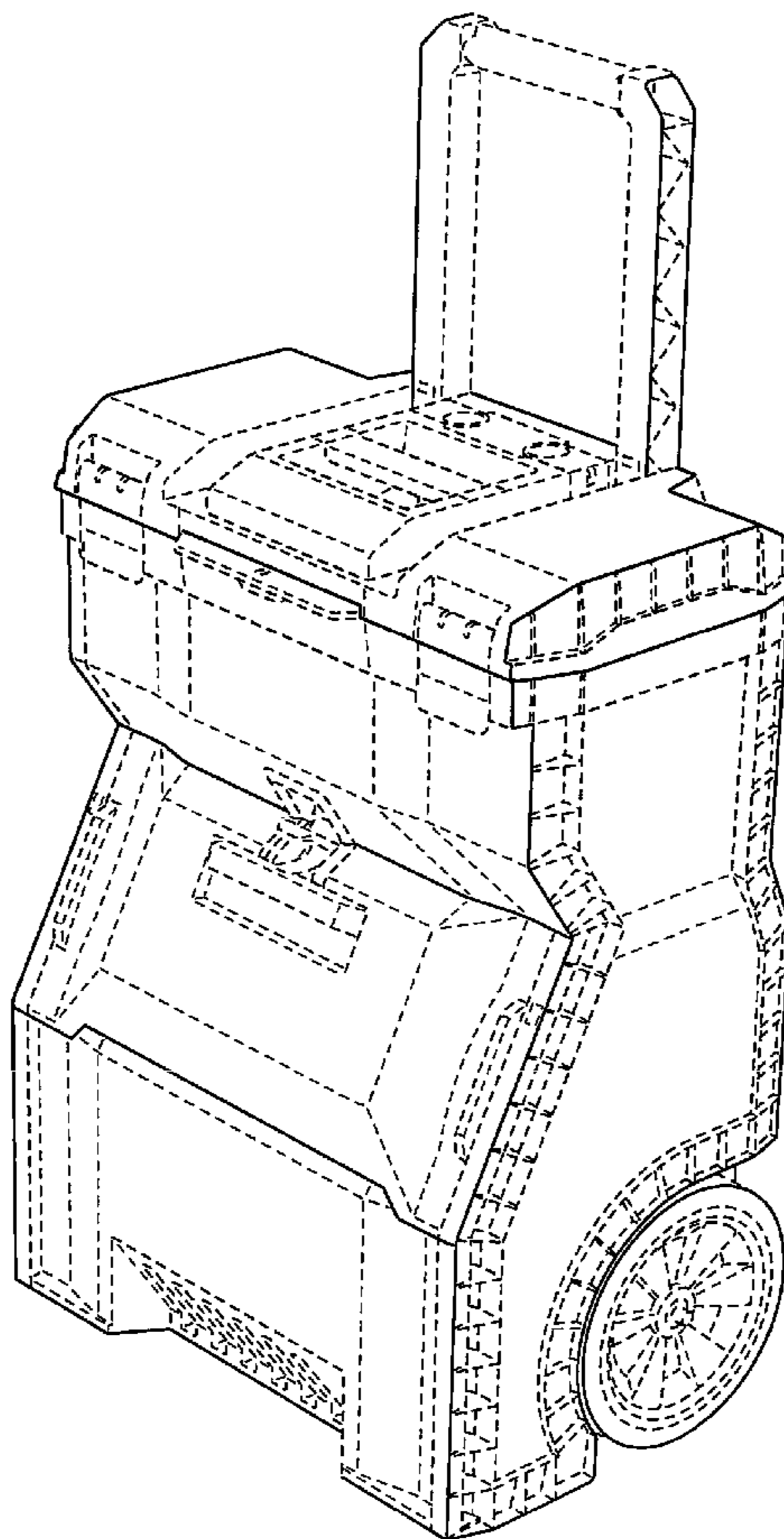
The broken lines in the figures are included for the purpose of illustrating environment and form no part of the claimed design.

(56) **References Cited**

**U.S. PATENT DOCUMENTS**

5,244,265	A *	9/1993	Chiang	.....	312/107
6,176,559	B1 *	1/2001	Tiramani et al.	.....	312/108
D437,484	S	2/2001	Tiramani et al.		
6,347,847	B1	2/2002	Tiramani et al.		
6,601,930	B2	8/2003	Tiramani et al.		
D565,269	S *	3/2008	Tomasiak et al.	.....	D34/14

**1 Claim, 6 Drawing Sheets**



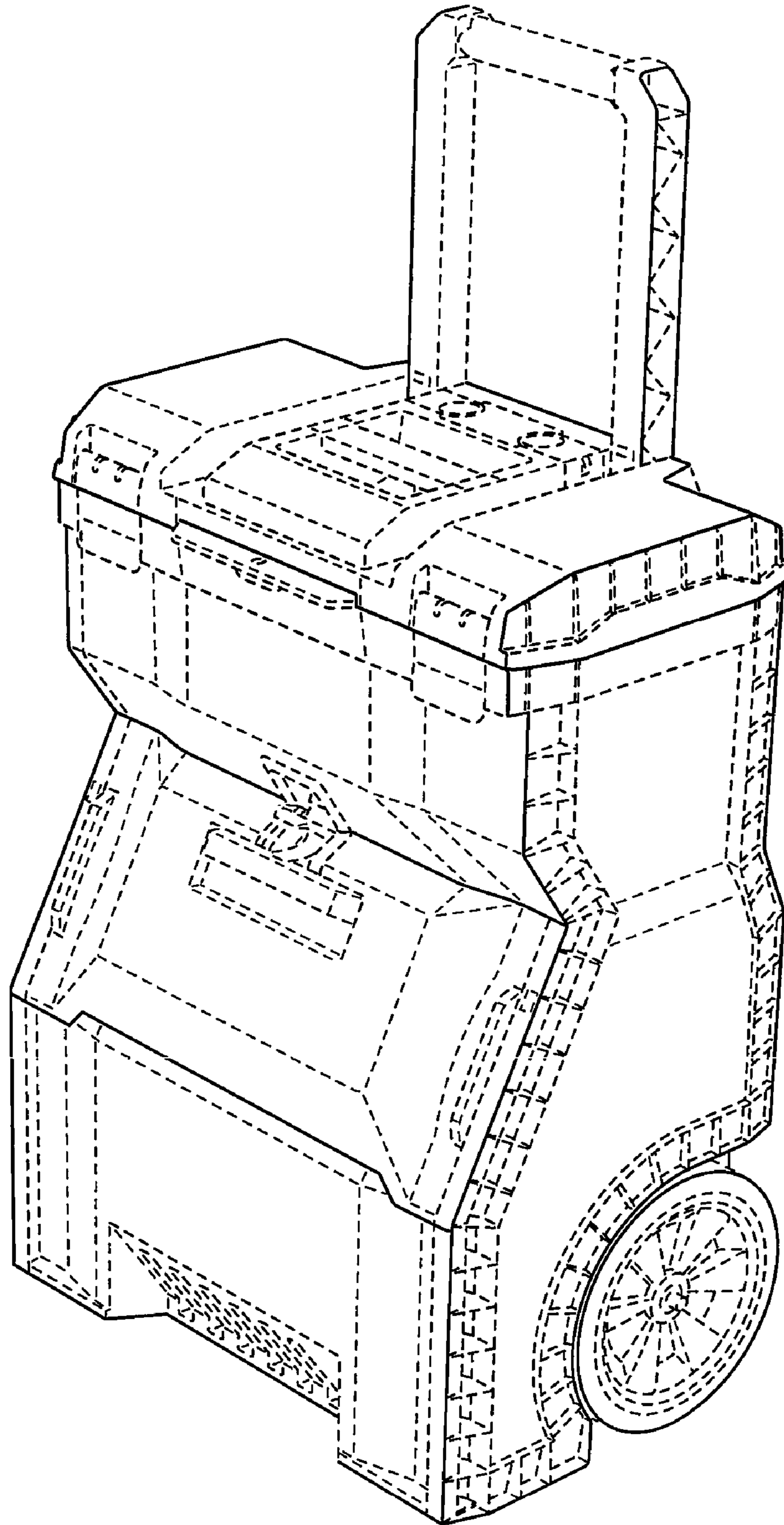


FIG. 1

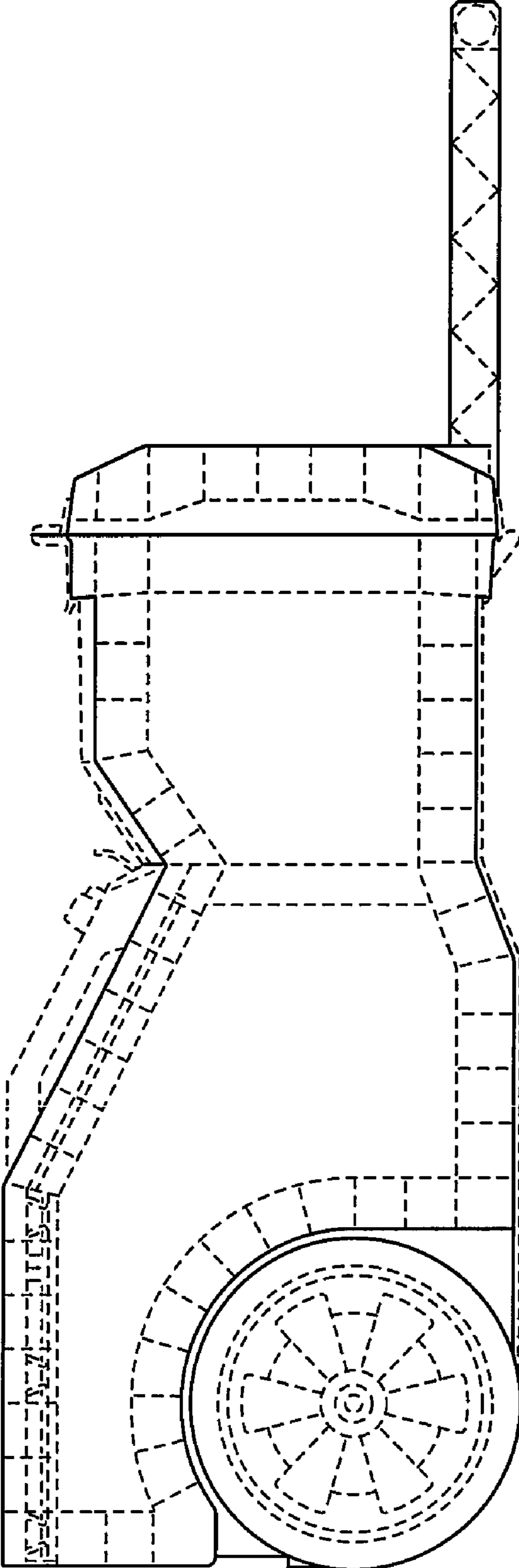


FIG. 2

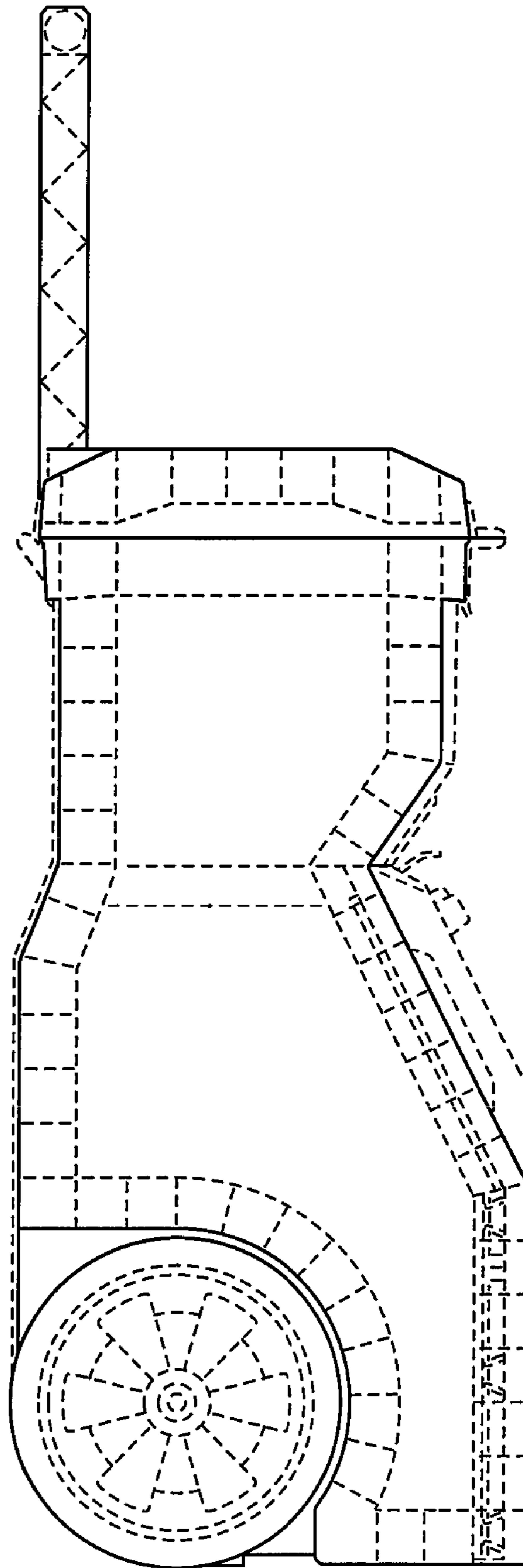


FIG. 3

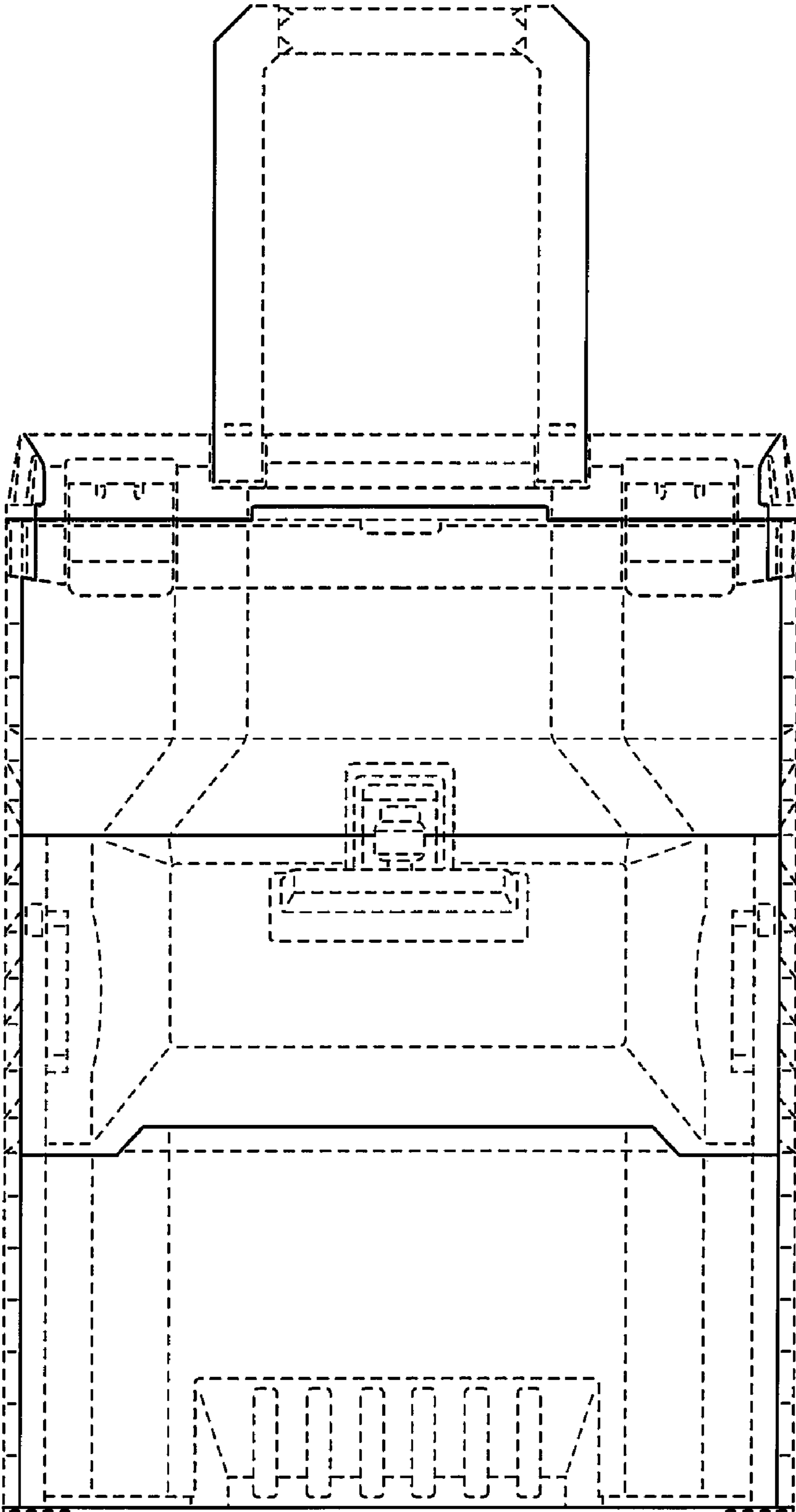


FIG. 4

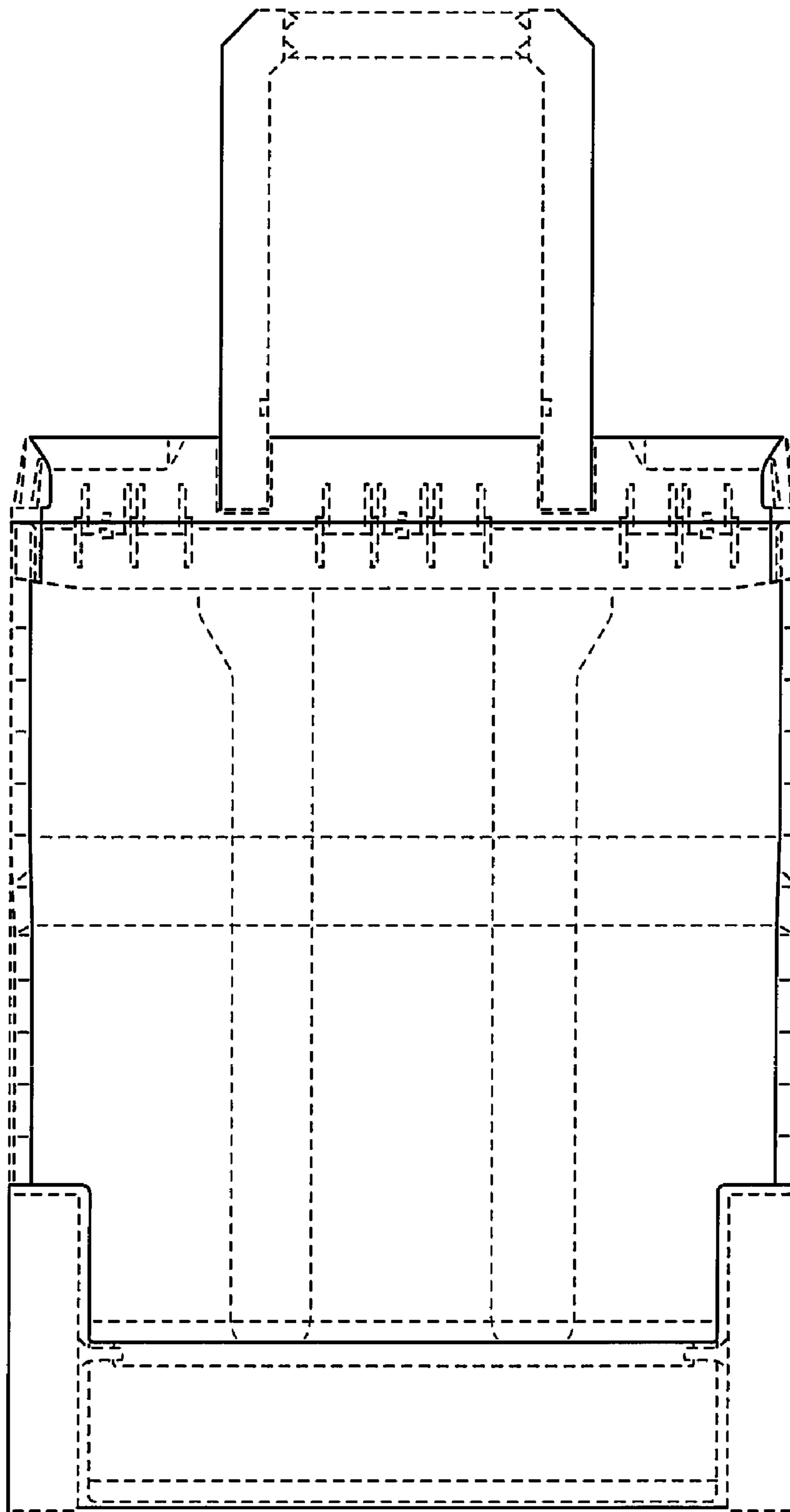


FIG. 5

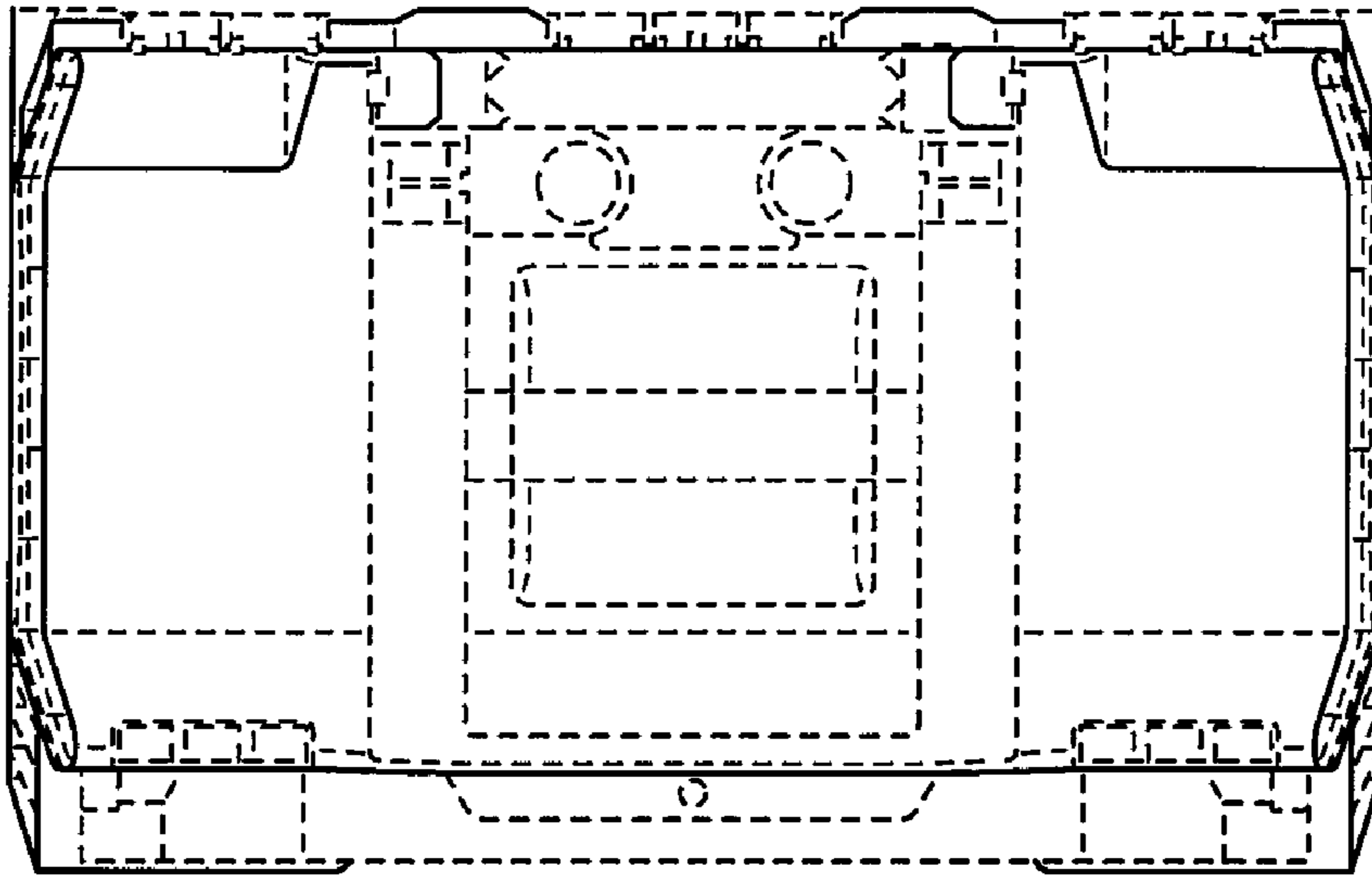


FIG. 6

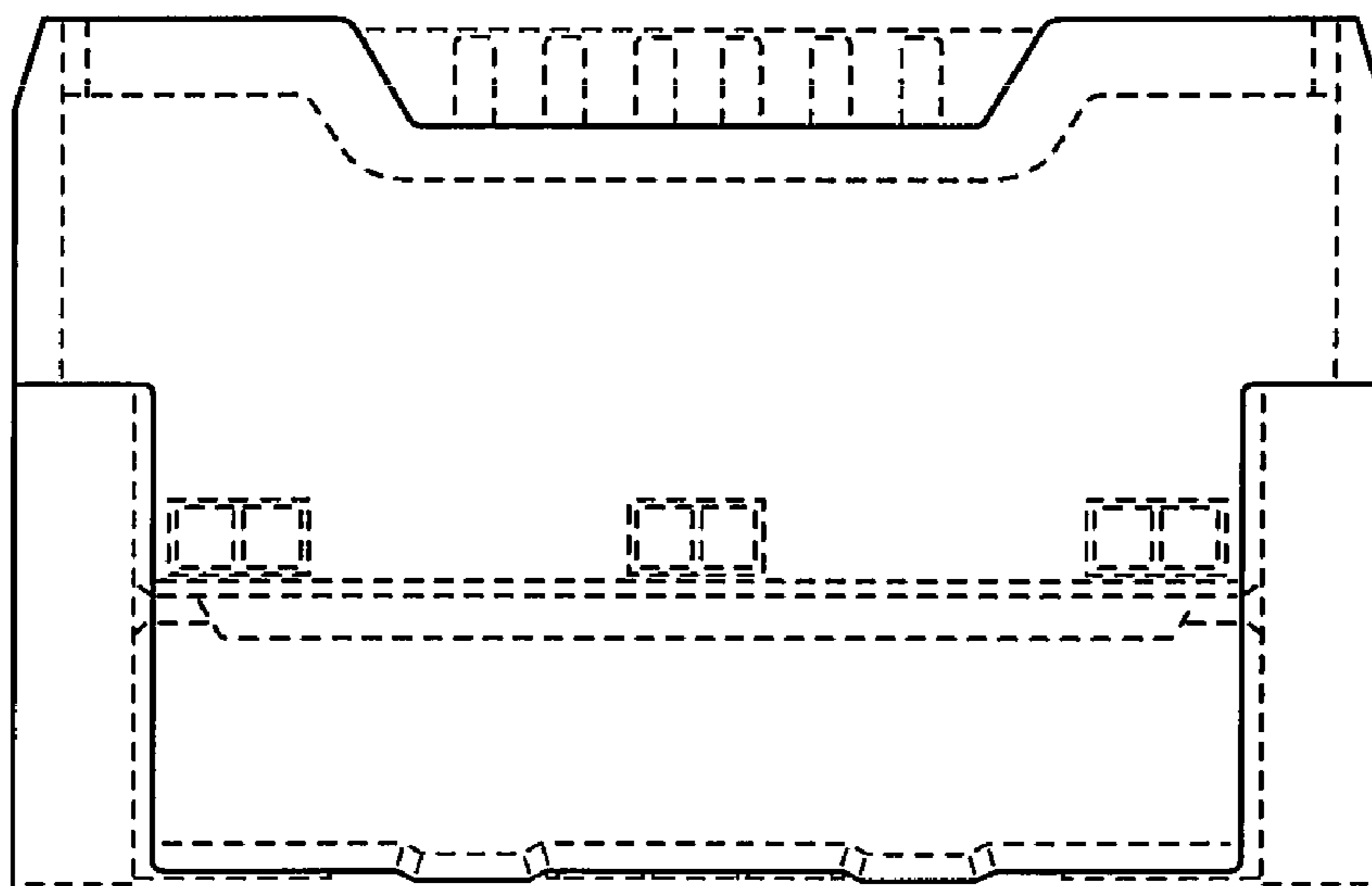


FIG. 7