



US00D596365S

(12) **United States Design Patent**  
**Reimers et al.**

(10) **Patent No.:** **US D596,365 S**

(45) **Date of Patent:** **\*\* Jul. 14, 2009**

(54) **FOLDED GOLF BAG CART**

(75) Inventors: **Eric W. Reimers**, Missoula, MT (US);  
**Dale Truett**, Missoula, MT (US); **Mark Robirds**, Florence, MT (US)

(73) Assignee: **Sun Mountain Sports, Inc.**, Missoula, MT (US)

(\*\*) Term: **14 Years**

(21) Appl. No.: **29/323,238**

(22) Filed: **Aug. 21, 2008**

(51) **LOC (9) Cl.** ..... **12-13**

(52) **U.S. Cl.** ..... **D34/15**

(58) **Field of Classification Search** ..... D34/12-27;  
280/DIG. 5, DIG. 6; 180/19.3, 19.1, 215,  
180/216, 907

See application file for complete search history.

(56) **References Cited**

U.S. PATENT DOCUMENTS

D179,126 S \* 11/1956 Eging ..... D34/15

D210,202 S \* 2/1968 Stuart ..... D34/27  
D261,378 S \* 10/1981 Bergeron ..... D12/128  
D319,131 S \* 8/1991 Smeitink ..... D34/23  
D442,755 S \* 5/2001 Fluss ..... D34/18  
D573,771 S \* 7/2008 Ball et al. .... D34/15

\* cited by examiner

*Primary Examiner*—Cynthia E Ramirez

(74) *Attorney, Agent, or Firm*—Michael J. Hughes

(57) **CLAIM**

The ornamental design for a folded golf bag cart, as shown.

**DESCRIPTION**

FIG. 1 is a perspective view of the folded golf bag cart showing our new design;

FIG. 2 is a front plan view thereof;

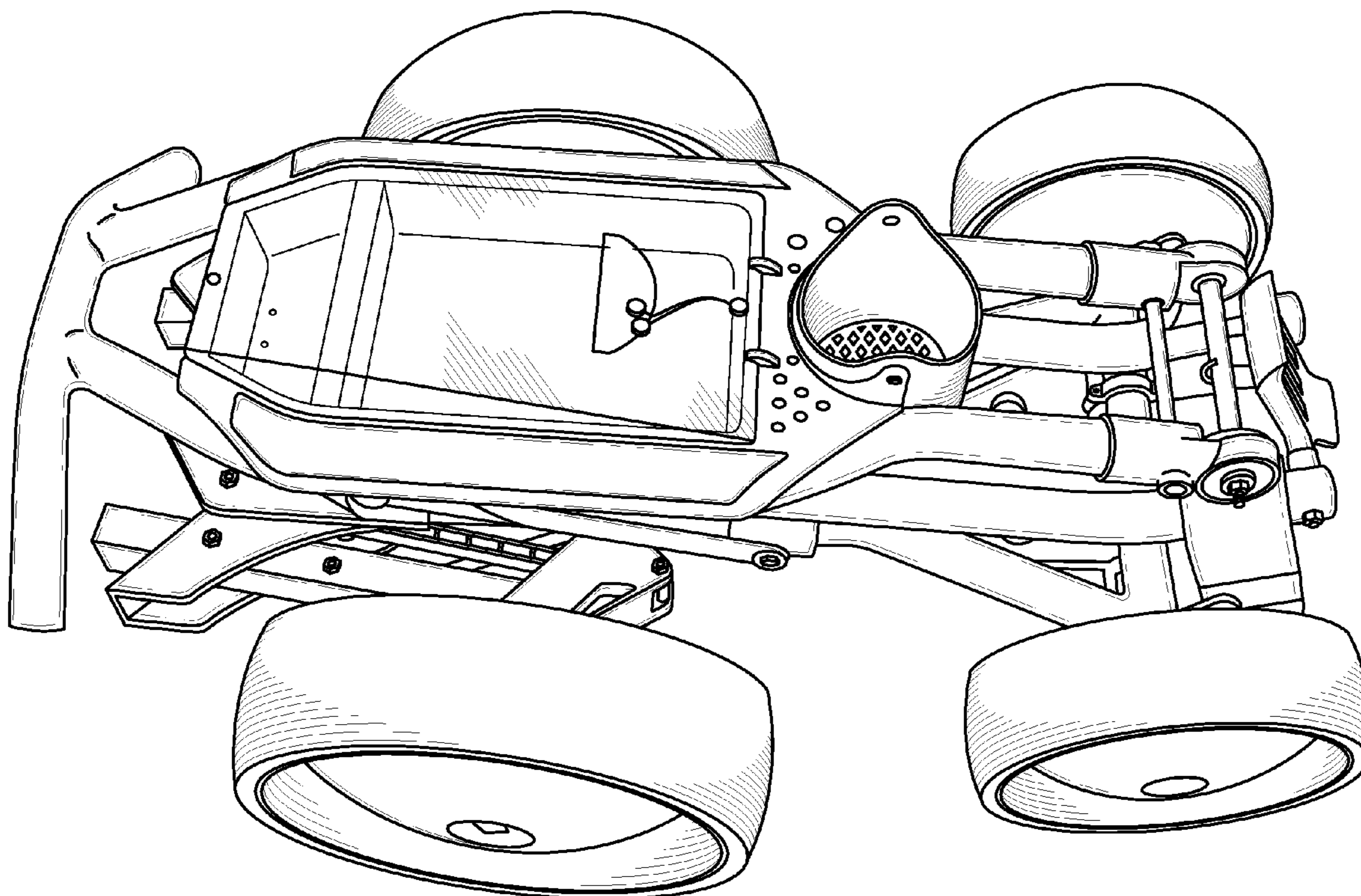
FIG. 3 is a rear plan view thereof;

FIG. 4 is a side elevational view thereof;

FIG. 5 is a top plan view thereof; and,

FIG. 6 is bottom plan view thereof.

**1 Claim, 5 Drawing Sheets**



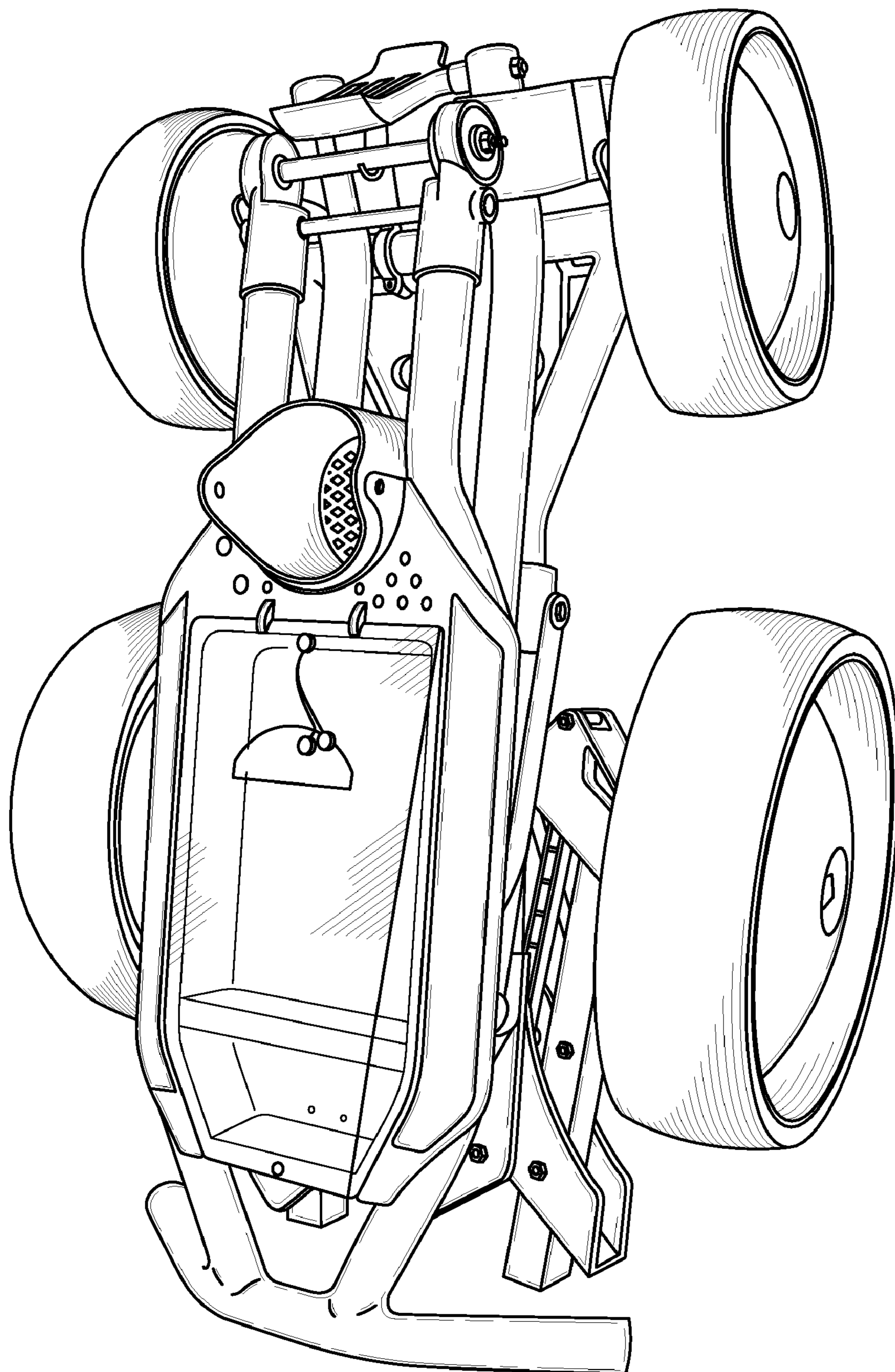


FIG. 1

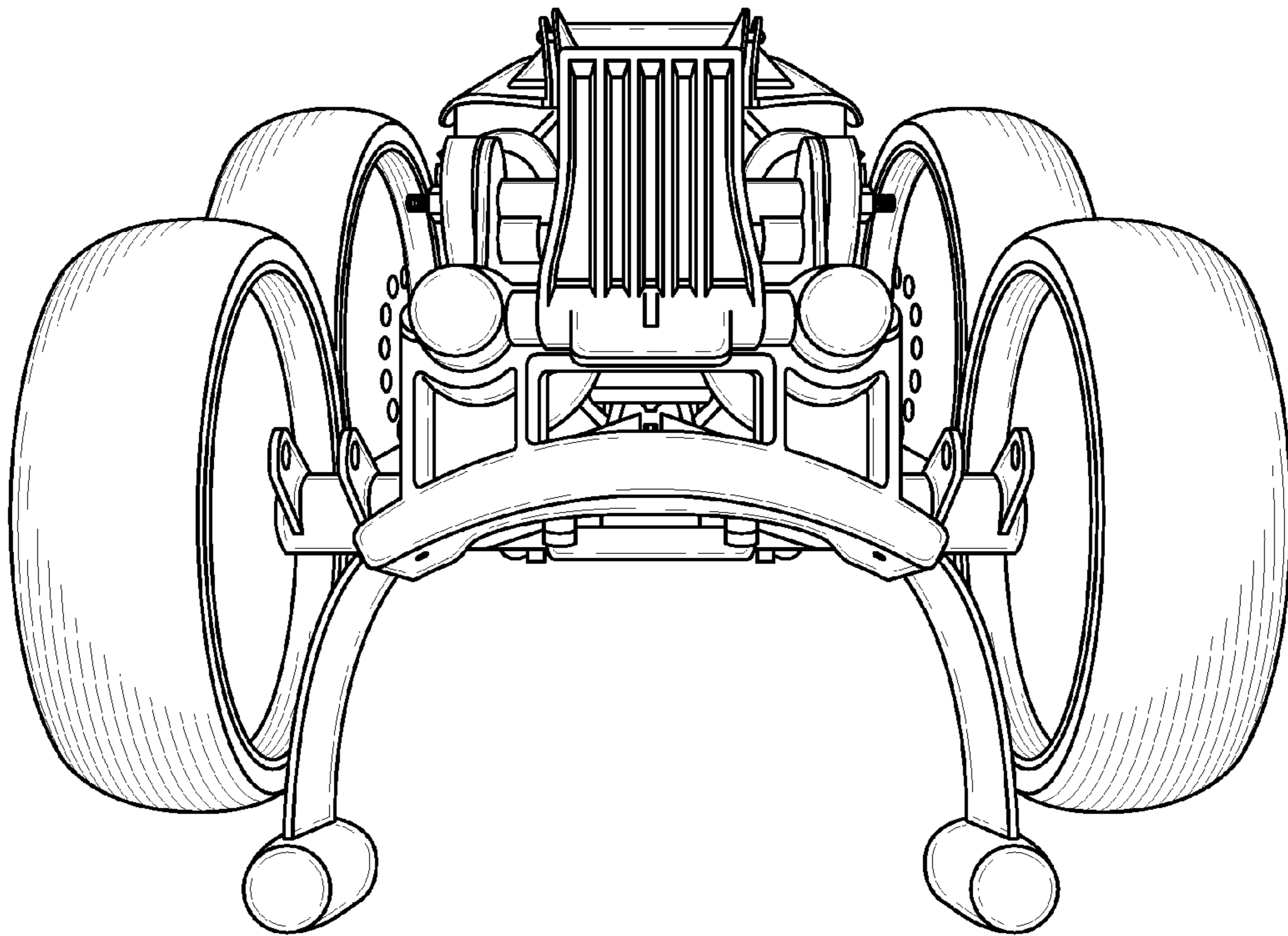


FIG. 2

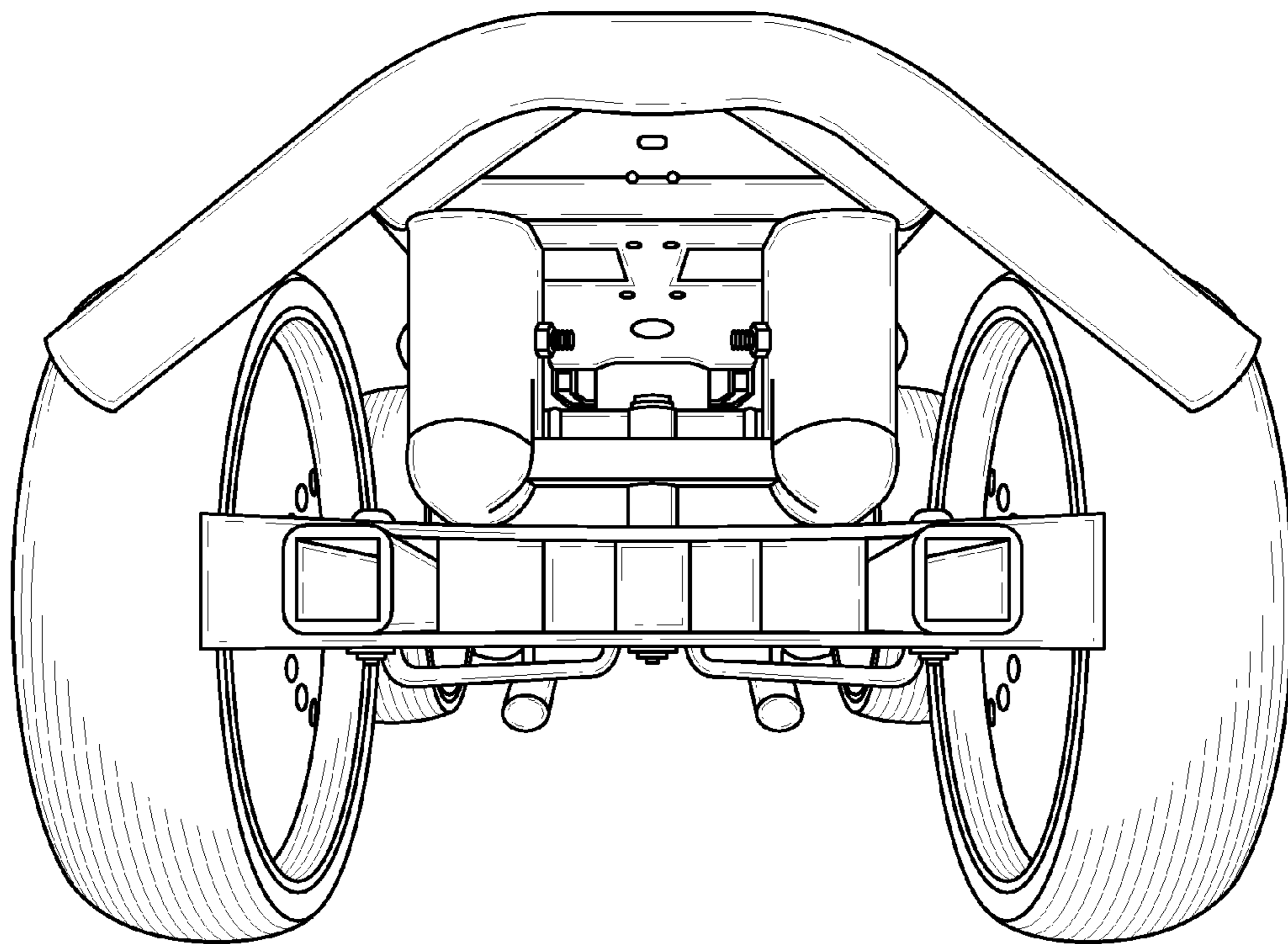


FIG. 3

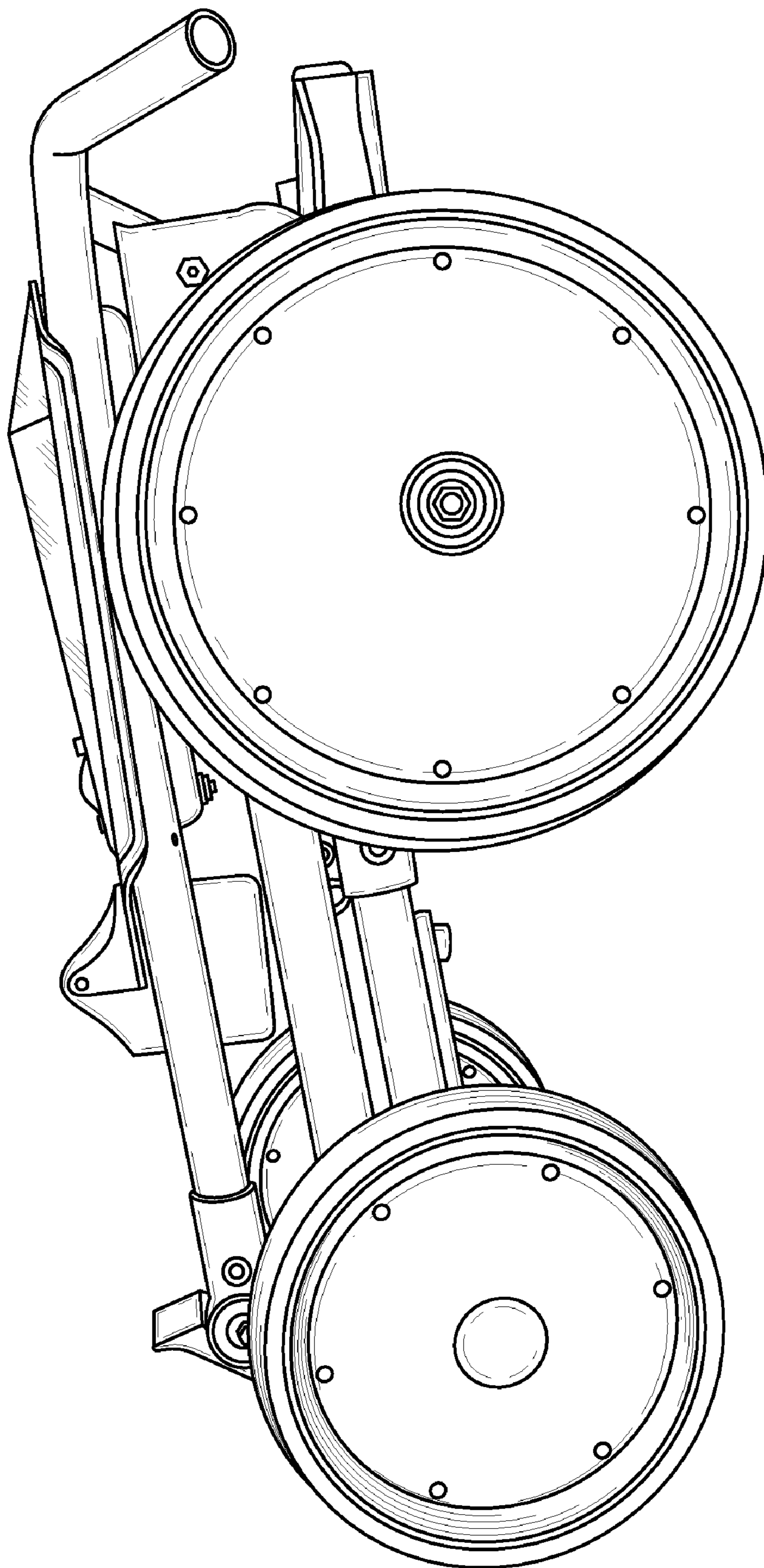


FIG. 4

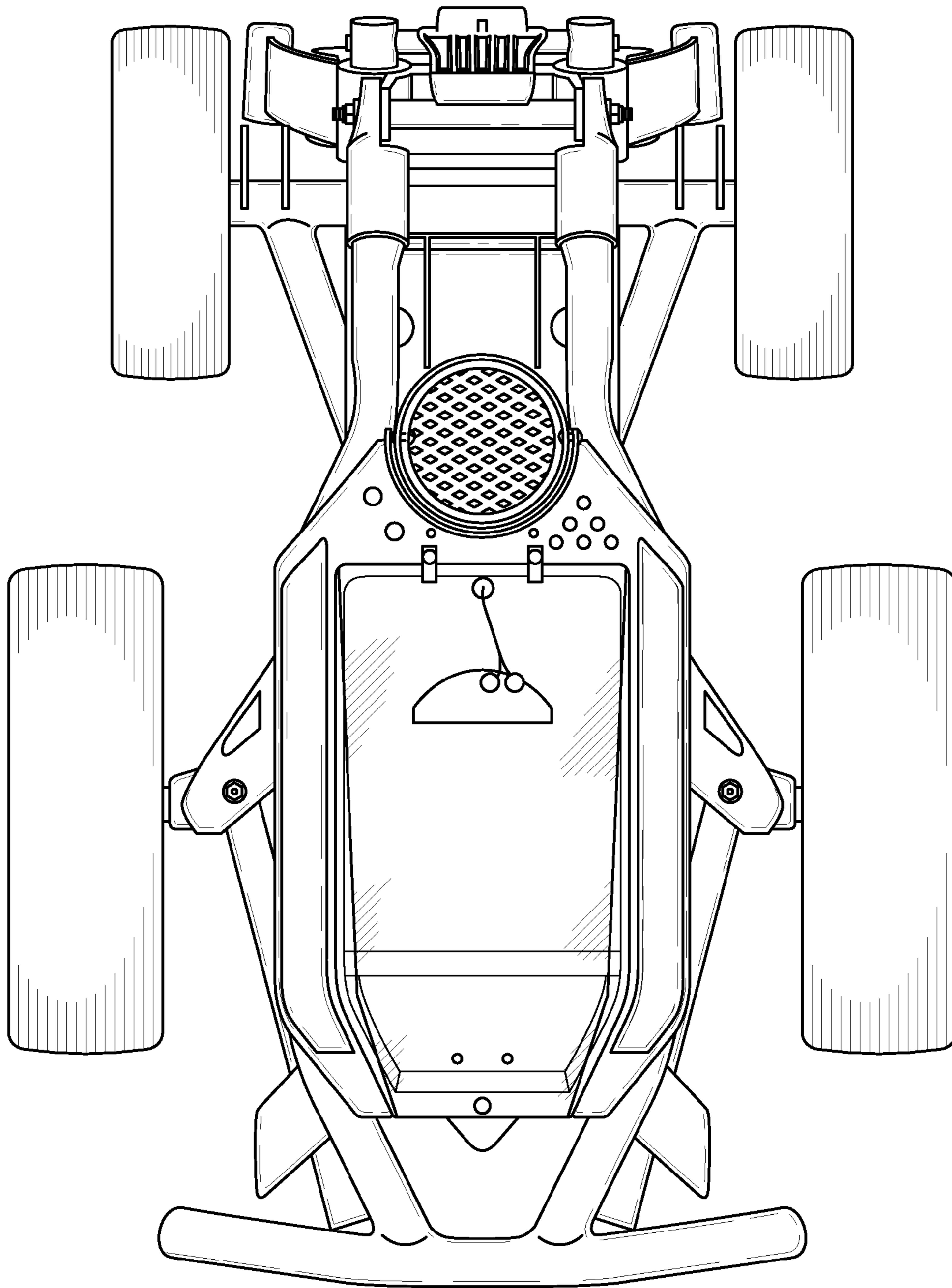


FIG. 5

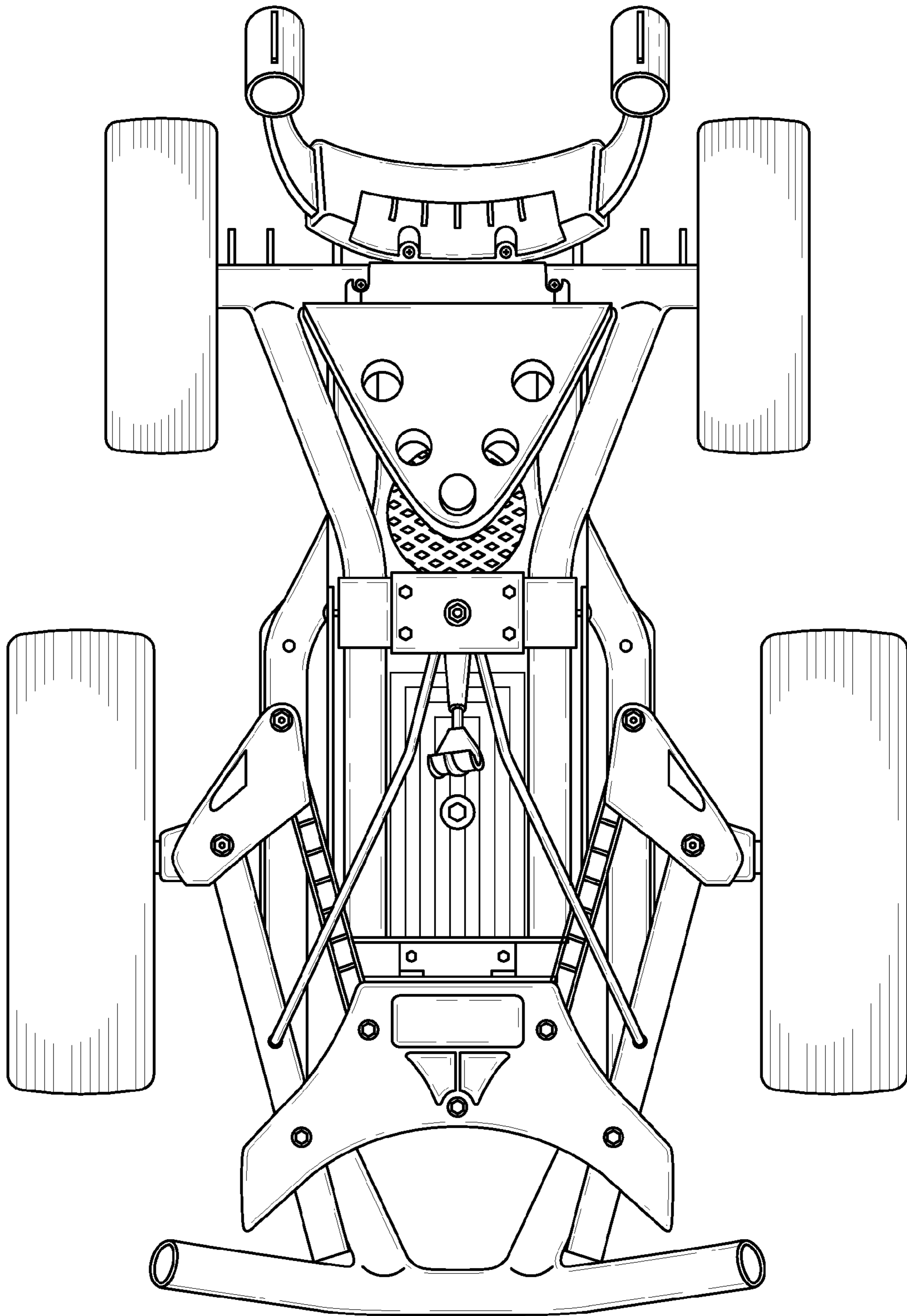


FIG. 6