



US00D596362S

(12) **United States Design Patent**
Crevling, Jr. et al.

(10) **Patent No.:** **US D596,362 S**
(45) **Date of Patent:** **** Jul. 14, 2009**

(54) **SANDER/POLISHER ATTACHMENT FOR VACUUM CLEANERS**

D475,489 S * 6/2003 McLelland D32/15
D498,653 S * 11/2004 Wu D8/62
D527,595 S * 9/2006 Wikle D8/62
D538,490 S * 3/2007 Hong D32/15

(75) Inventors: **Robert L. Crevling, Jr.**, Williamsport, PA (US); **Melvin E. Wolfe, Jr.**, Hallstead, PA (US); **John Griffin**, Phoenix, AZ (US)

* cited by examiner

Primary Examiner—Ruth McInroy

(73) Assignee: **Shop-Vac Corporation**, Williamsport, PA (US)

(74) *Attorney, Agent, or Firm*—Marshall, Gerstein & Borun LLP

(**) Term: **14 Years**

(57) **CLAIM**

(21) Appl. No.: **29/237,202**

The ornamental design for a sander/polisher attachment for vacuum cleaners, as shown.

(22) Filed: **Aug. 25, 2005**

DESCRIPTION

(51) **LOC (9) Cl.** **15-05**

FIG. 1 is a perspective view of a sander/polisher attachment for vacuum cleaners showing our new design;

(52) **U.S. Cl.** **D32/33**

FIG. 2 is a left-side elevational view thereof;

(58) **Field of Classification Search** D32/15, D32/19–20, 25, 31–33; D8/62; 15/98, 49.1, 15/50.1, 97.1, 180; 451/353, 259

FIG. 3 is a front elevational view thereof;

See application file for complete search history.

FIG. 4 is a rear elevational view thereof;

FIG. 5 is a right-side elevational view thereof;

(56) **References Cited**

FIG. 6 is a top view thereof; and,

U.S. PATENT DOCUMENTS

FIG. 7 is a bottom view thereof.

D353,311 S * 12/1994 Izumisawa D8/62
D353,984 S * 1/1995 Izumisawa D8/62
D357,163 S * 4/1995 Izumisawa D8/62
D469,932 S * 2/2003 Liang-Ming D32/15
D471,329 S * 3/2003 Heun D32/15

The broken line showing of a battery pack is for the purpose of illustrating portions of the sander/polisher attachment and forms no part of the claimed design.

1 Claim, 7 Drawing Sheets

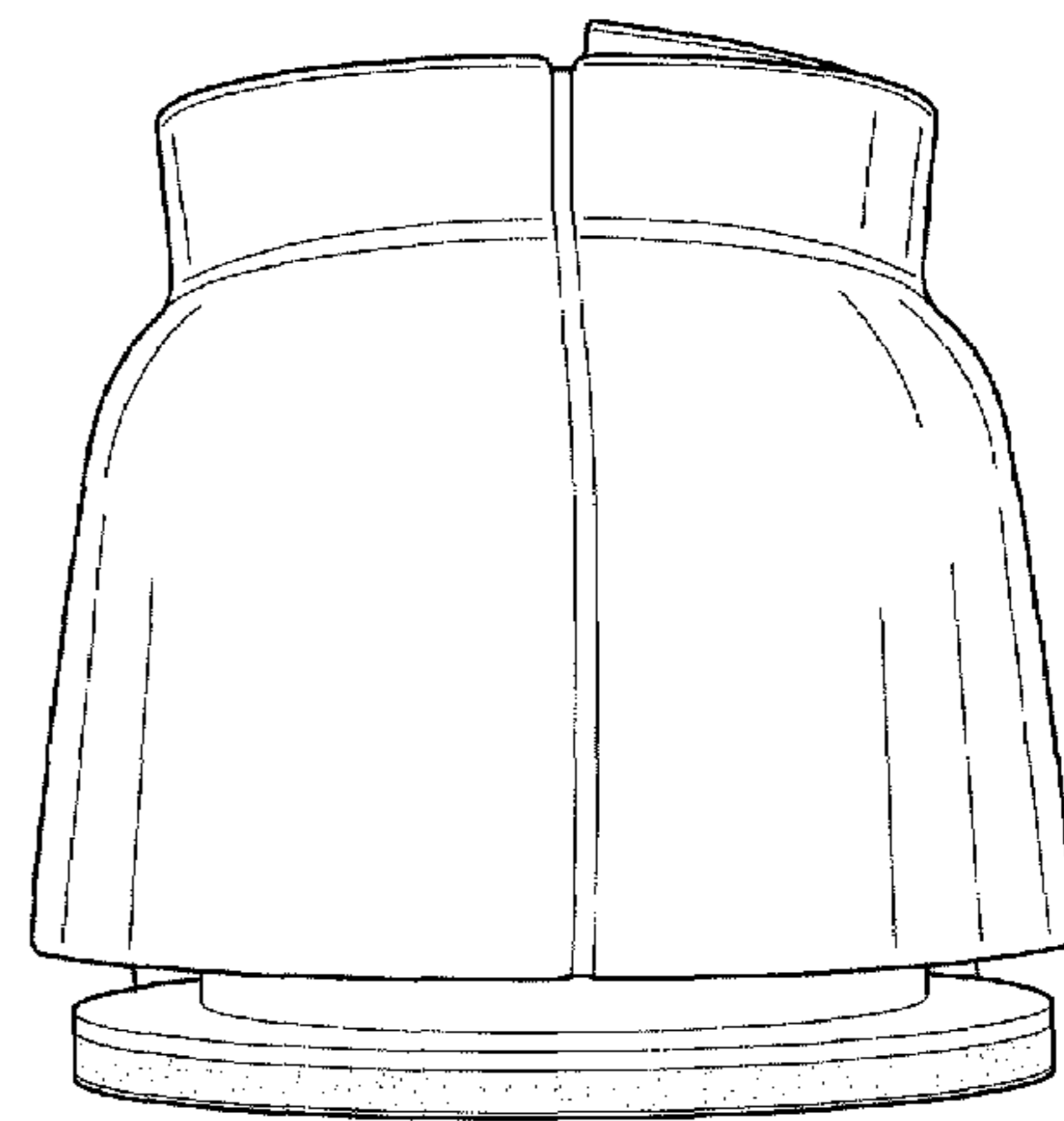
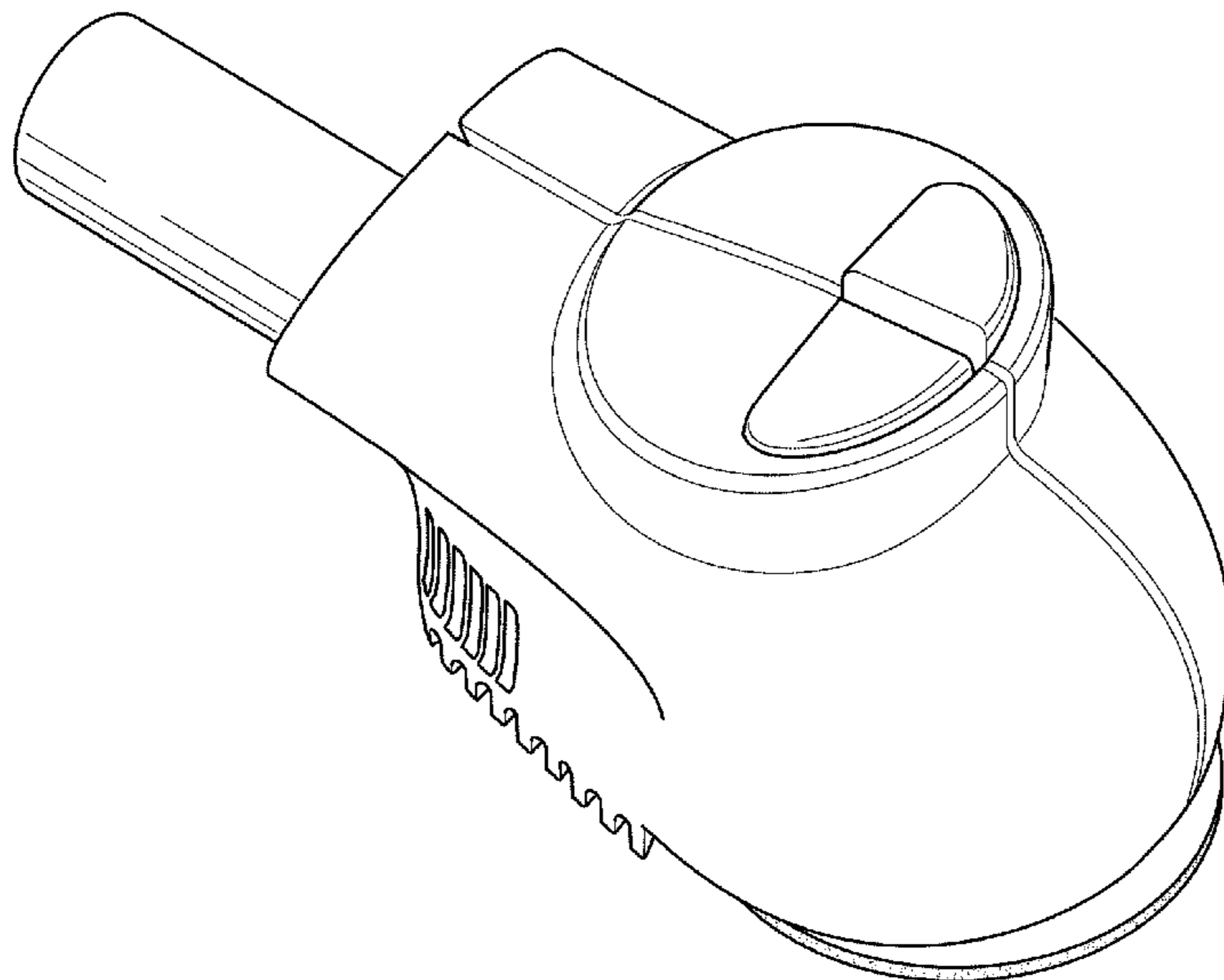


FIG. 1

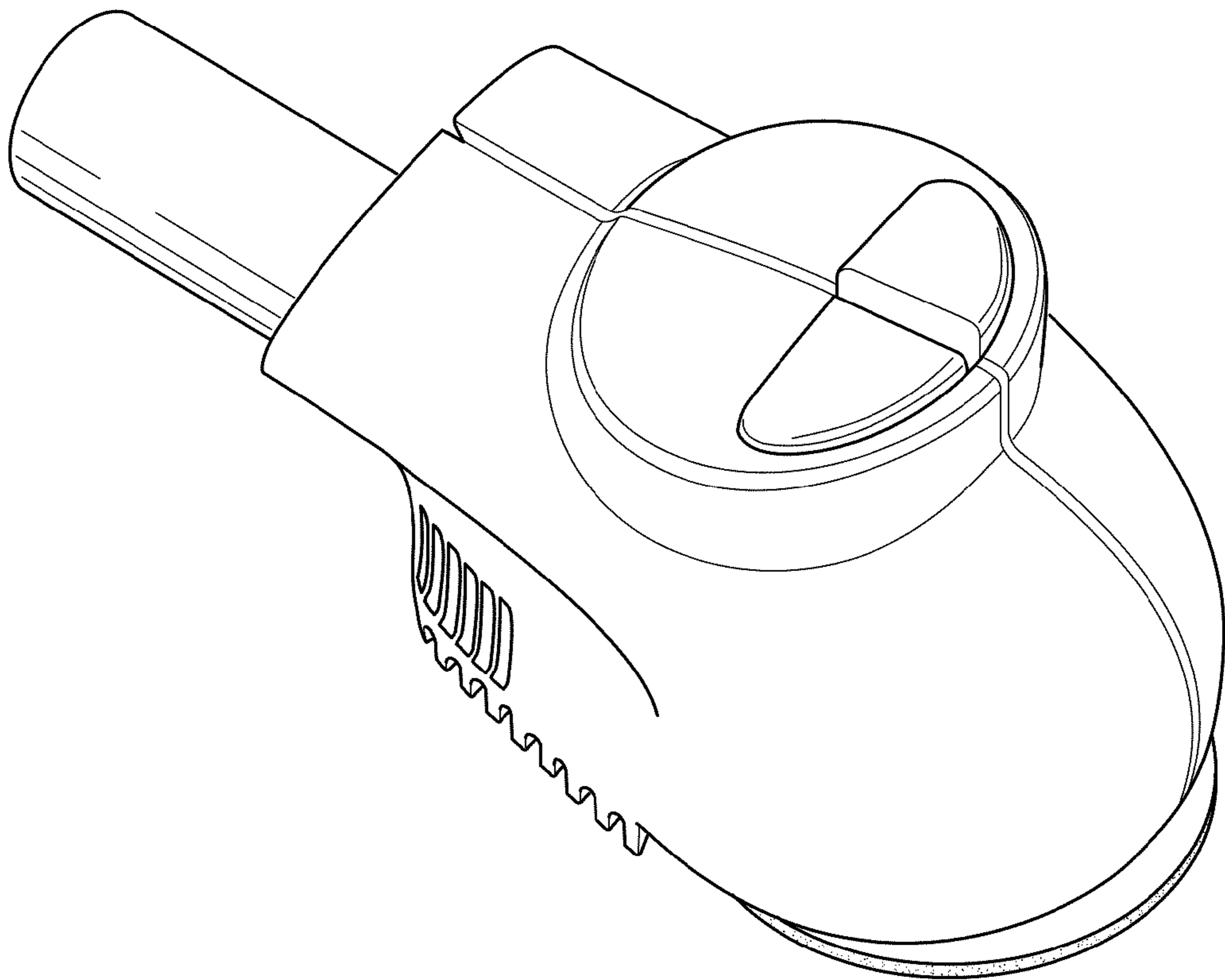


FIG. 2

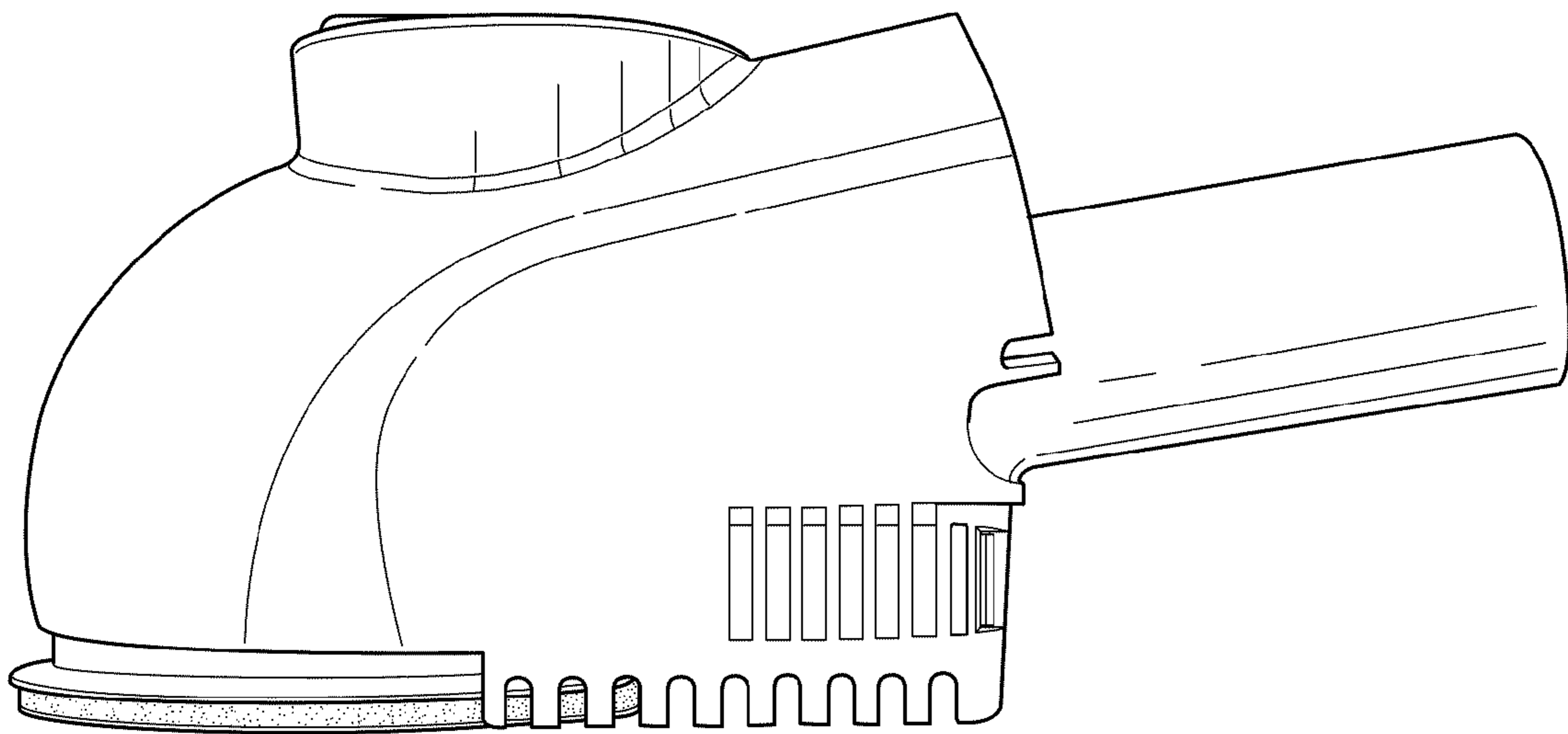


FIG. 3

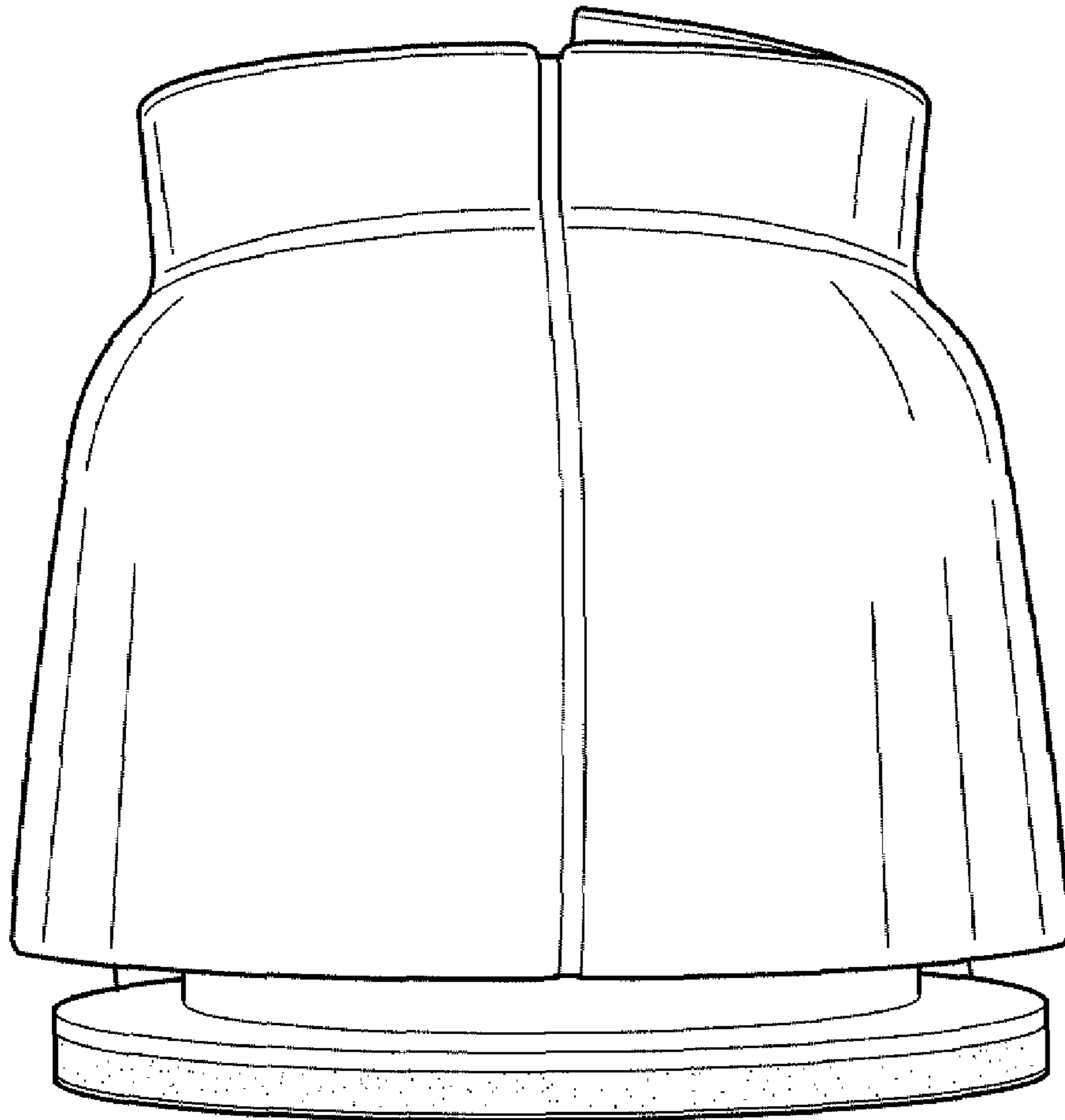


FIG. 4

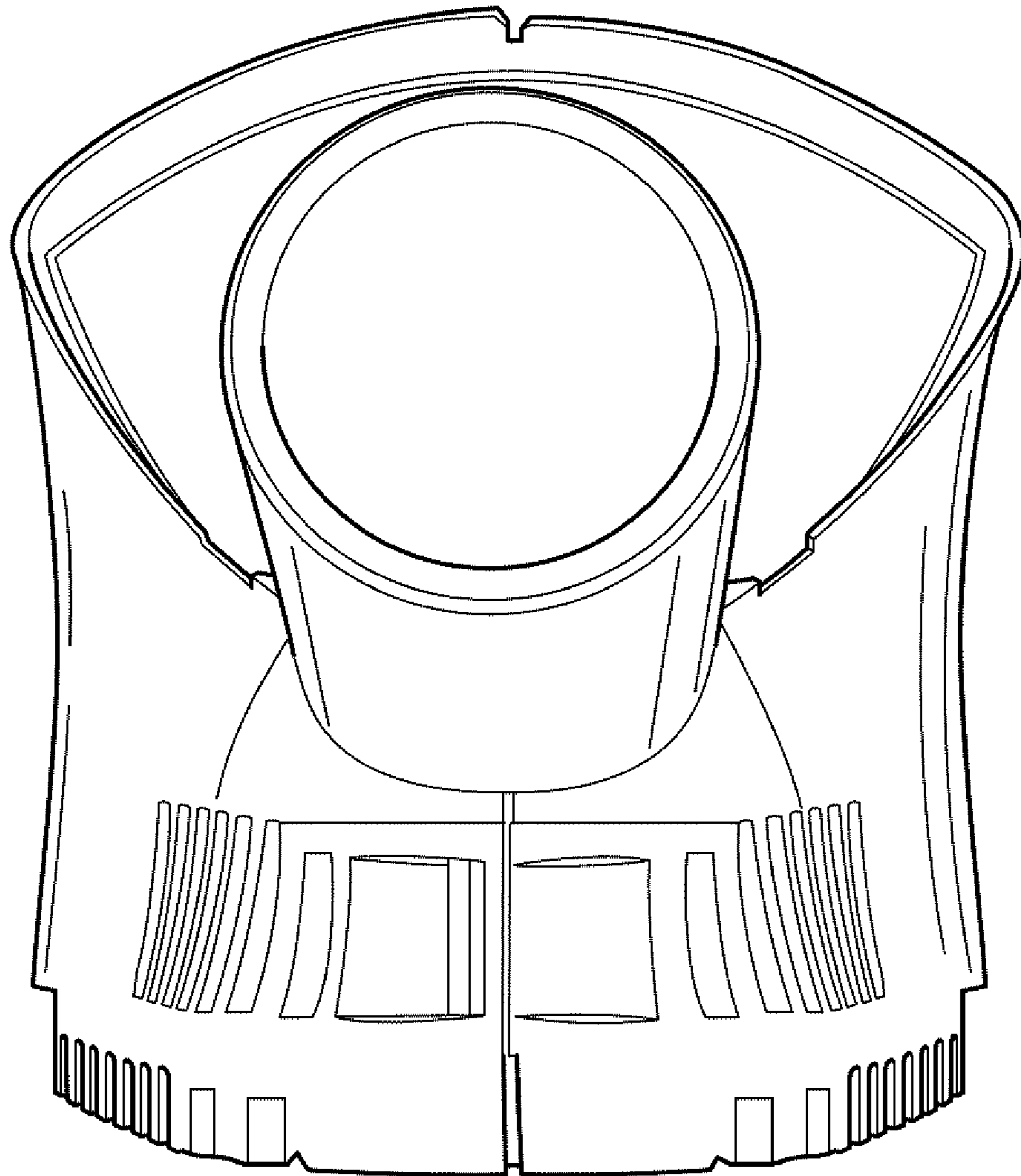


FIG. 5

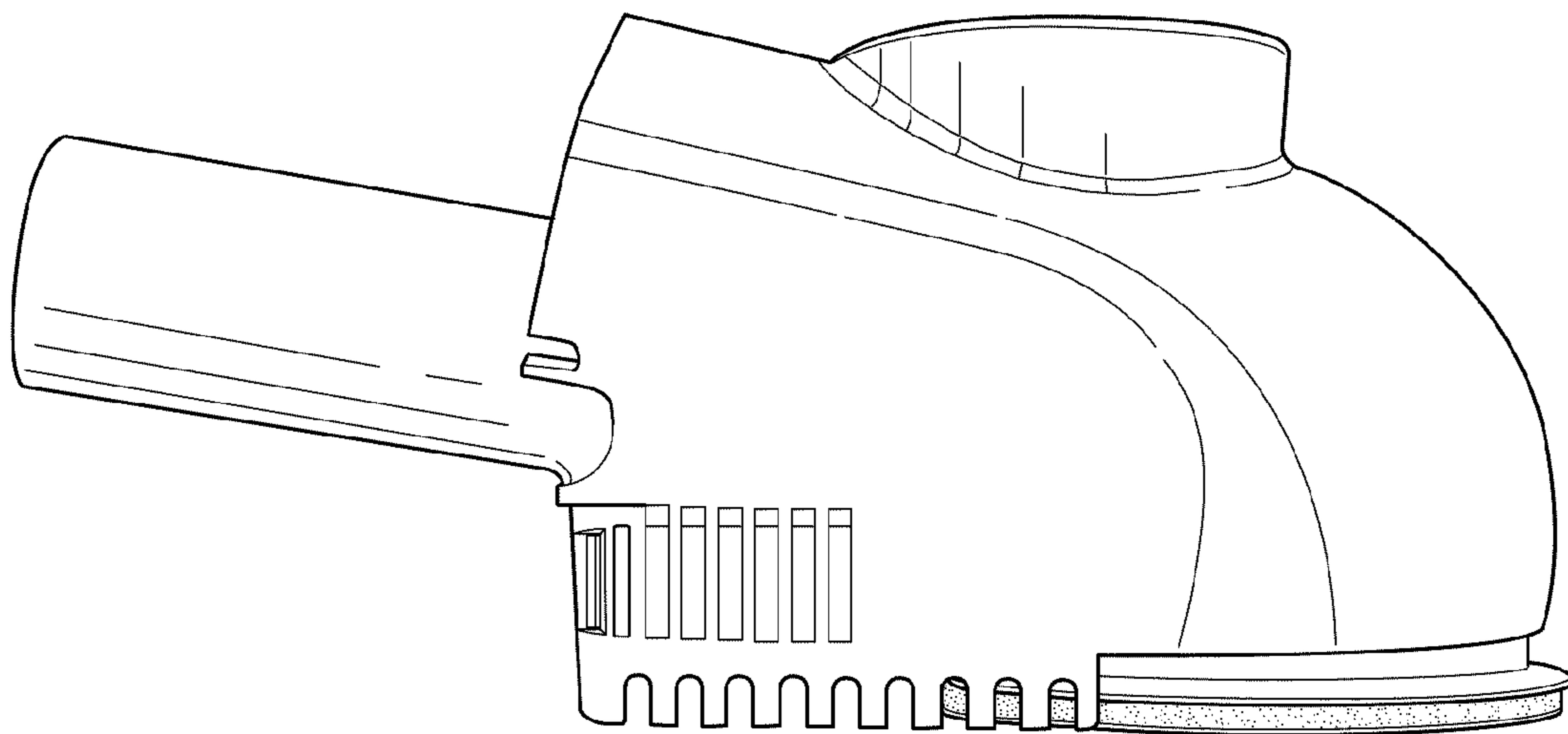


FIG. 6

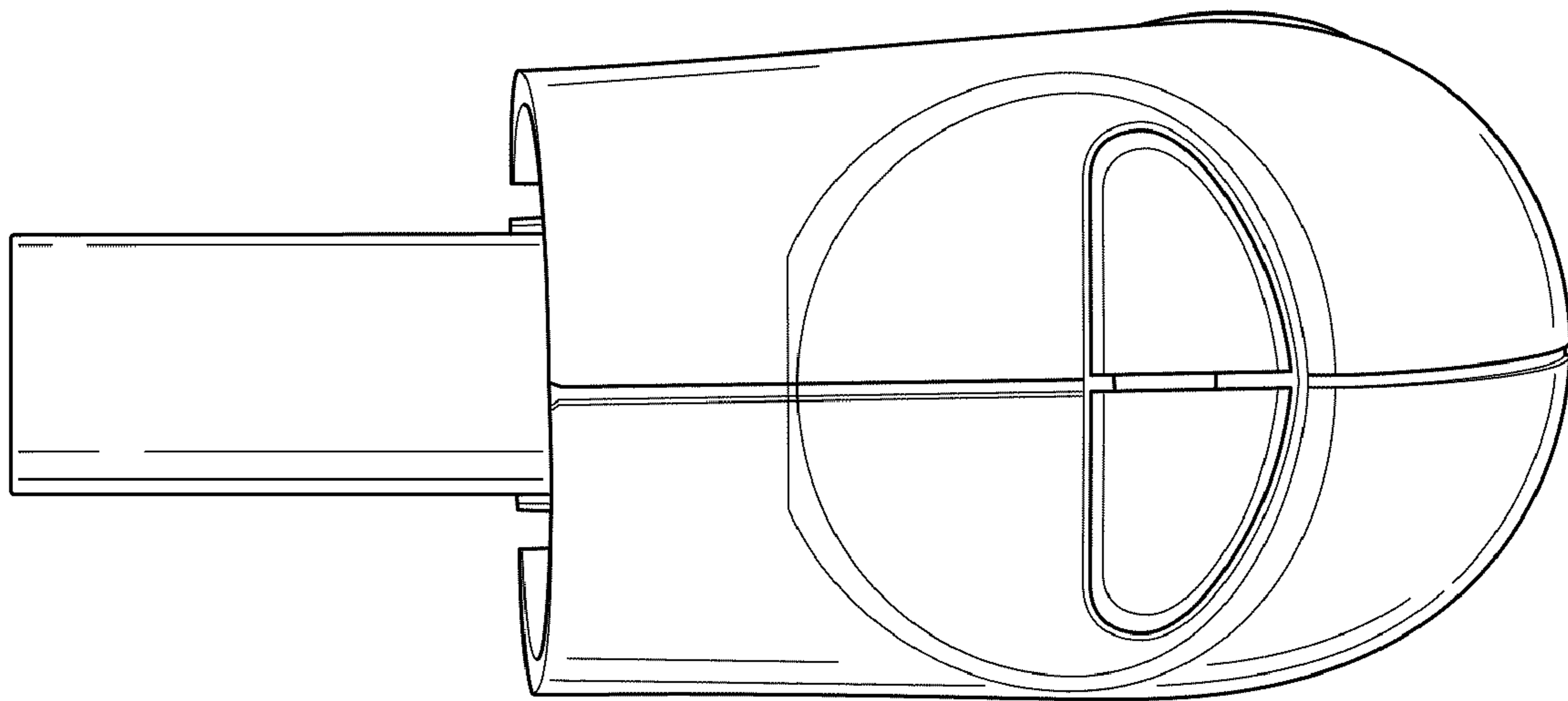


FIG. 7

