



US00D596361S

(12) **United States Design Patent**
Dyson et al.

(10) **Patent No.:** **US D596,361 S**
(45) **Date of Patent:** **** Jul. 14, 2009**

(54) **PART OF A VACUUM CLEANER**

(75) Inventors: **James Dyson**, Gloucestershire (GB);
Alexander Stuart Knox, Malmesbury
(GB); **Tom Vallance Hamilton**
Crawford, Bristol (GB)

(73) Assignee: **Dyson Limited**, Wiltshire (GB)

(**) Term: **14 Years**

(21) Appl. No.: **29/300,874**

(22) Filed: **May 22, 2008**

(30) **Foreign Application Priority Data**

Nov. 23, 2007 (GB) 4005372

(51) **LOC (9) Cl.** **15-05**

(52) **U.S. Cl.** **D32/31**

(58) **Field of Classification Search** D32/22,
D32/30-31; 15/320, 329, 335, 340.2, 347,
15/350-353, 361, 363, 410, 412, 414, 327.1,
15/327.2, 327.4, 327.6, 415.1, 411; 55/345,
55/DIG. 3, 336, 337, 429, 343, 433, 418;
95/271; 301/7, 63.101; 280/78, 47.31, 205
See application file for complete search history.

(56) **References Cited**

U.S. PATENT DOCUMENTS

2,686,330	A	8/1954	Wales	
3,794,351	A	2/1974	Cudmore	
5,584,095	A	12/1996	Redding et al.	
D439,379	S	3/2001	Gammack et al.	
D462,813	S	9/2002	Nakano et al.	
D471,683	S *	3/2003	Dyson et al.	D32/30
D475,820	S	6/2003	Dyson et al.	
D494,718	S *	8/2004	Rosenzweig et al.	D32/31
D494,719	S *	8/2004	Rosenzweig et al.	D32/31
6,989,039	B2 *	1/2006	Vuijk	D55/343
D517,633	S	3/2006	Chen	
D517,757	S *	3/2006	Santiago	D32/30

D520,692	S *	5/2006	Leyden	D32/31
D533,695	S	12/2006	Dyson et al.	
D534,324	S	12/2006	Dyson et al.	
RE39,473	E *	1/2007	Salo et al.	15/353
D547,505	S *	7/2007	Carr et al.	D32/31
D563,066	S	2/2008	Shevlin	
7,341,611	B2 *	3/2008	Greene et al.	55/337
D565,815	S	4/2008	Dyson et al.	
D570,561	S	6/2008	Dyson et al.	
2005/0223519	A1 *	10/2005	Greene et al.	15/353
2008/0222840	A1	9/2008	Worker et al.	
2008/0244860	A1	10/2008	Gammack et al.	
2008/0250602	A1	10/2008	Liddell	
2008/0282497	A1 *	11/2008	Griffith et al.	15/352

OTHER PUBLICATIONS

James Dyson et al. "Vacuum Cleaner Part," specification and drawings of related U.S. Appl. No. 29/300,868 filed May 22, 2008. 7 pages.

James Dyson et al. "Vacuum Cleaner," specification and drawings of related U.S. Appl. No. 29/300,869, filed May 22, 2008. 8 pages.

(Continued)

Primary Examiner—Ruth McInroy

(74) *Attorney, Agent, or Firm*—Morrison & Foerster LLP

(57) **CLAIM**

We claim the ornamental design for a part of a vacuum cleaner, as shown and described.

DESCRIPTION

FIG. 1 is a perspective view of a part of a vacuum cleaner showing our new design;

FIG. 2 is a plan view thereof from above;

FIG. 3 is a bottom view thereof;

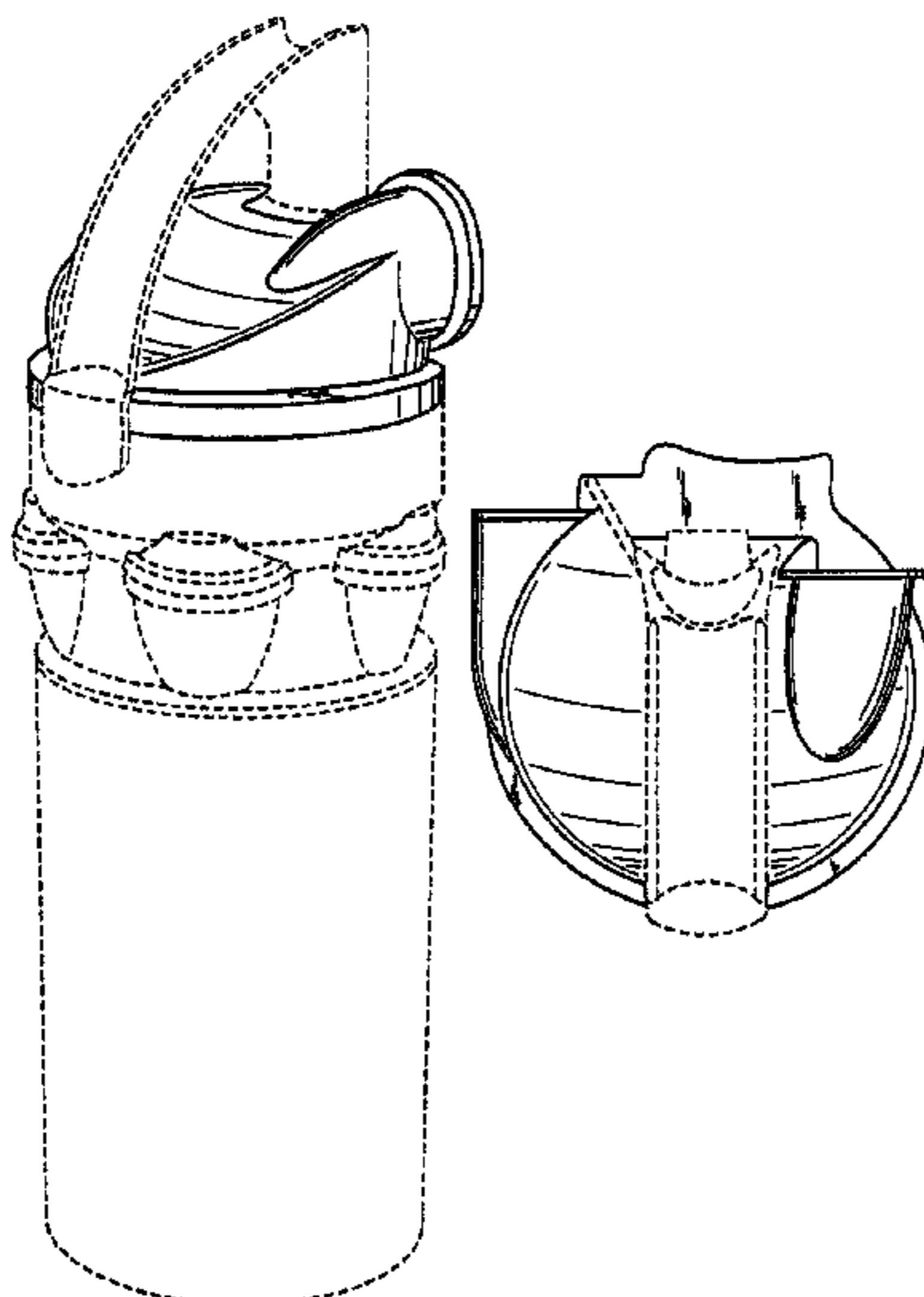
FIG. 4 is a side view thereof;

FIG. 5 is a side view of the opposite side of FIG. 4;

FIG. 6 is a front view thereof; and,

FIG. 7 is a rear view thereof.

1 Claim, 6 Drawing Sheets



OTHER PUBLICATIONS

James Dyson et al. "Vacuum Cleaner Part—III," specification and drawings of related U.S. Appl. No. 29/300,873, filed May 22, 2008. 6 pages.

James Dyson et al. "Vacuum Cleaner Part—IV," specification and drawings of related U.S. Appl. No. 29/300,870, filed May 22, 2008. 5 pages.

James Dyson et al. "Vacuum Cleaner Part—V," specification and drawings of related U.S. Appl. No. 29/300,872, filed May 22, 2008. 6 pages.

James Dyson et al. Specification and drawings of related U.S. Appl. No. 29/300,871, filed May 22, 2008. 8 pages.

* cited by examiner

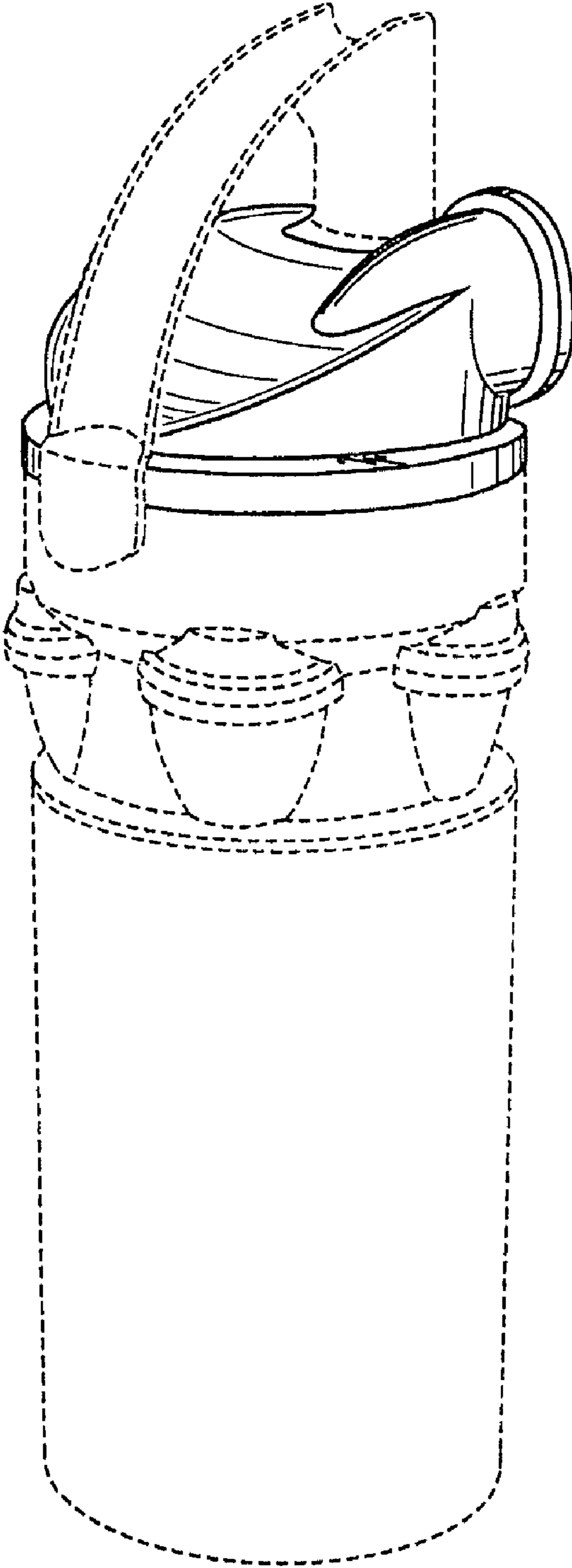


Fig. 1

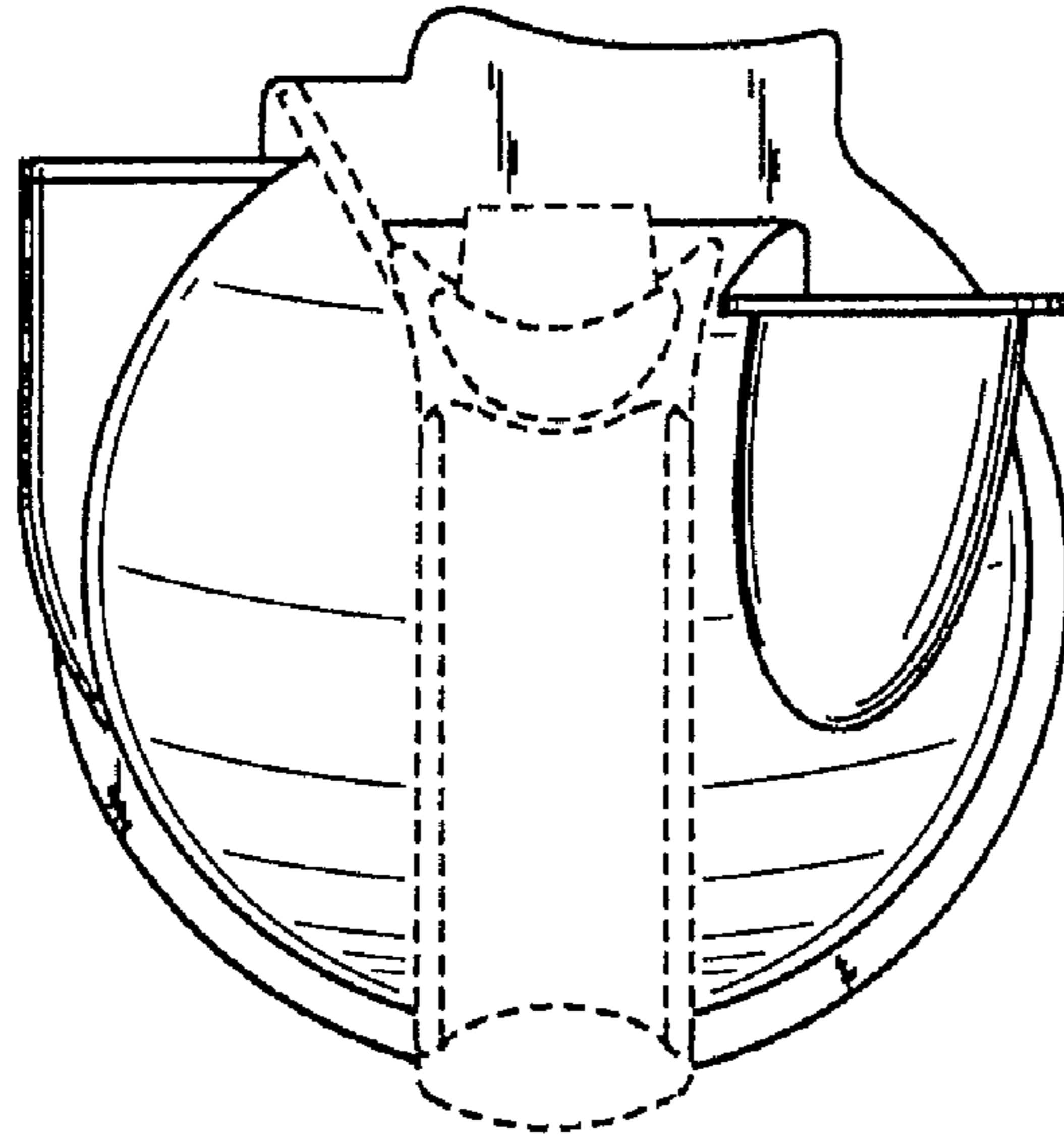


Fig. 2

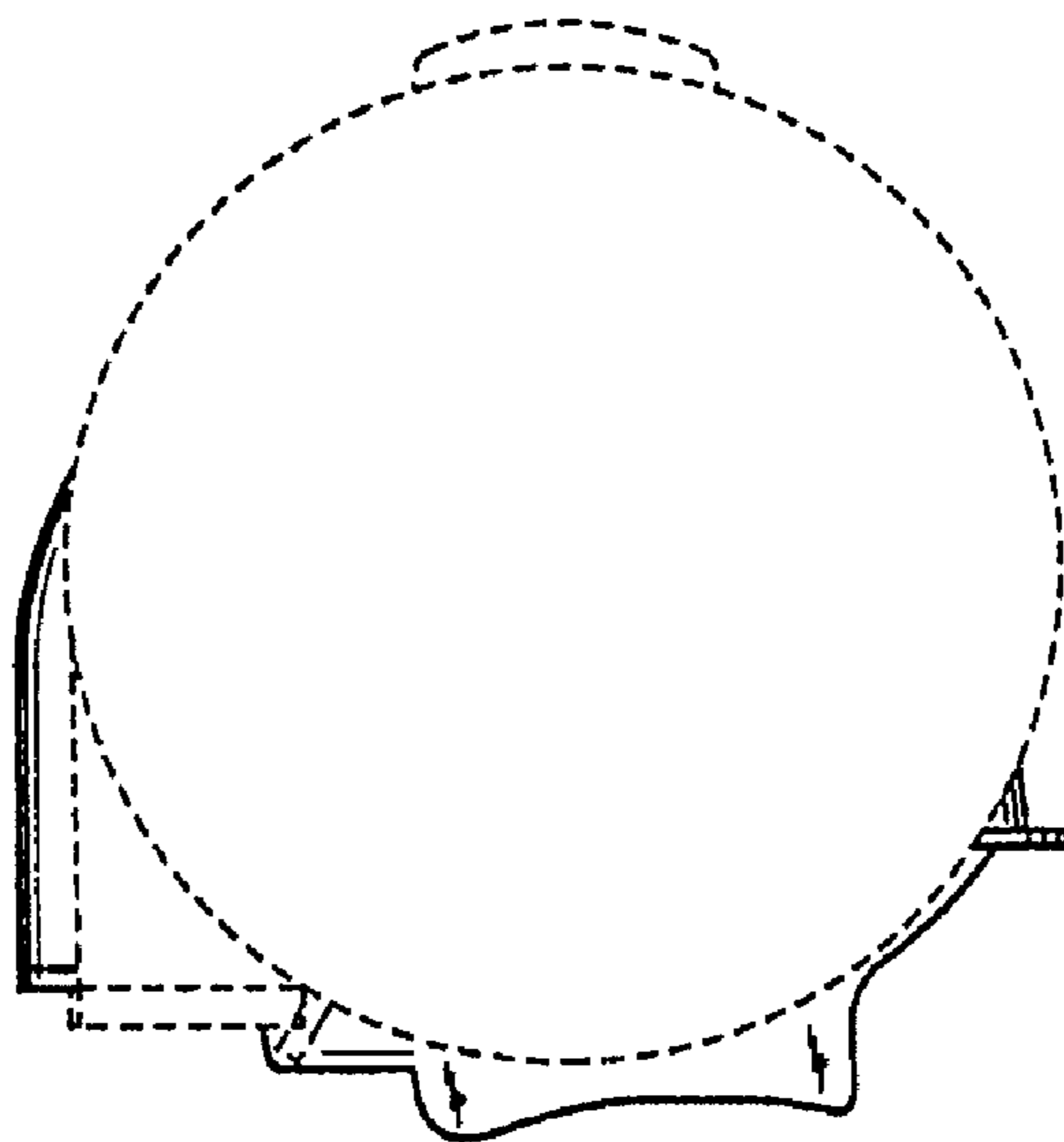


Fig. 3

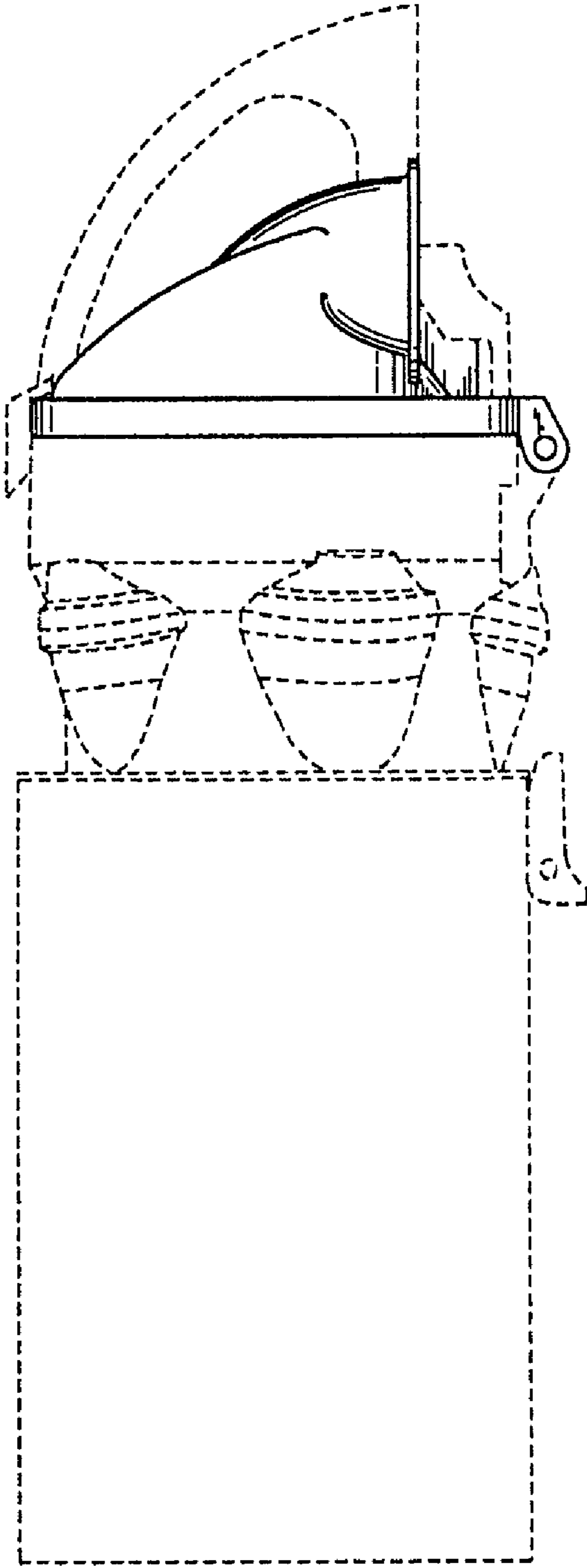


Fig. 4

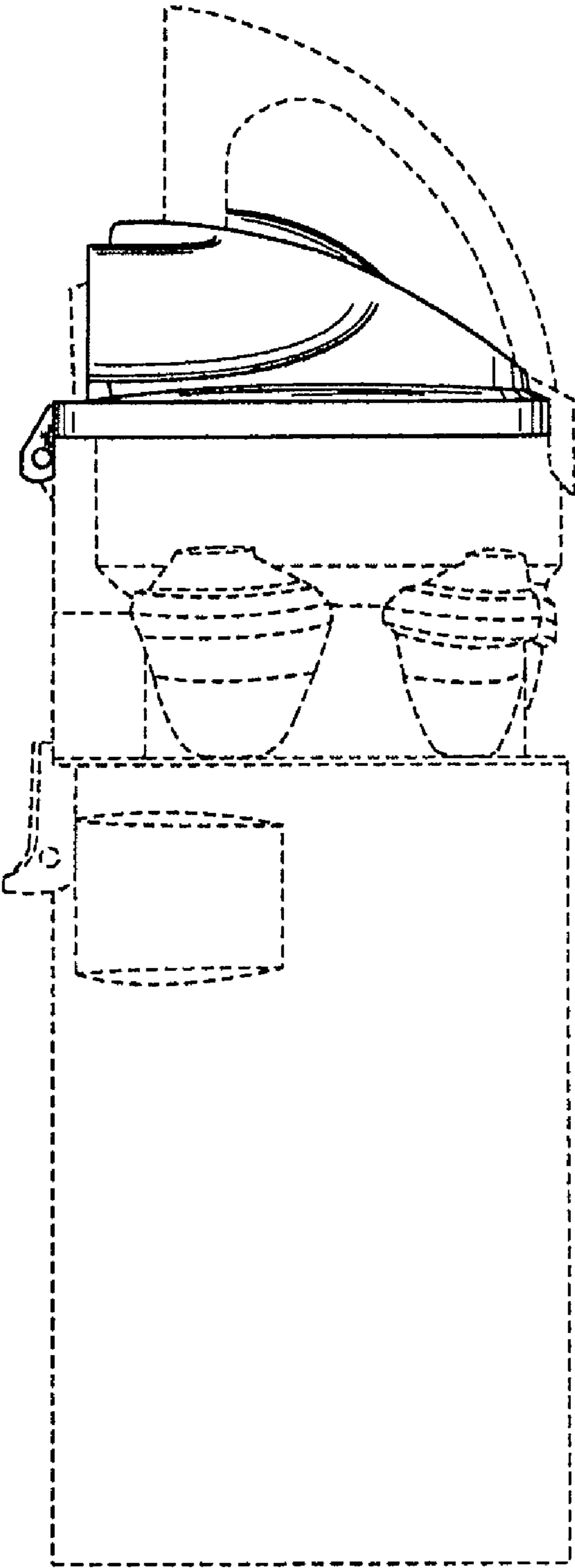


Fig. 5

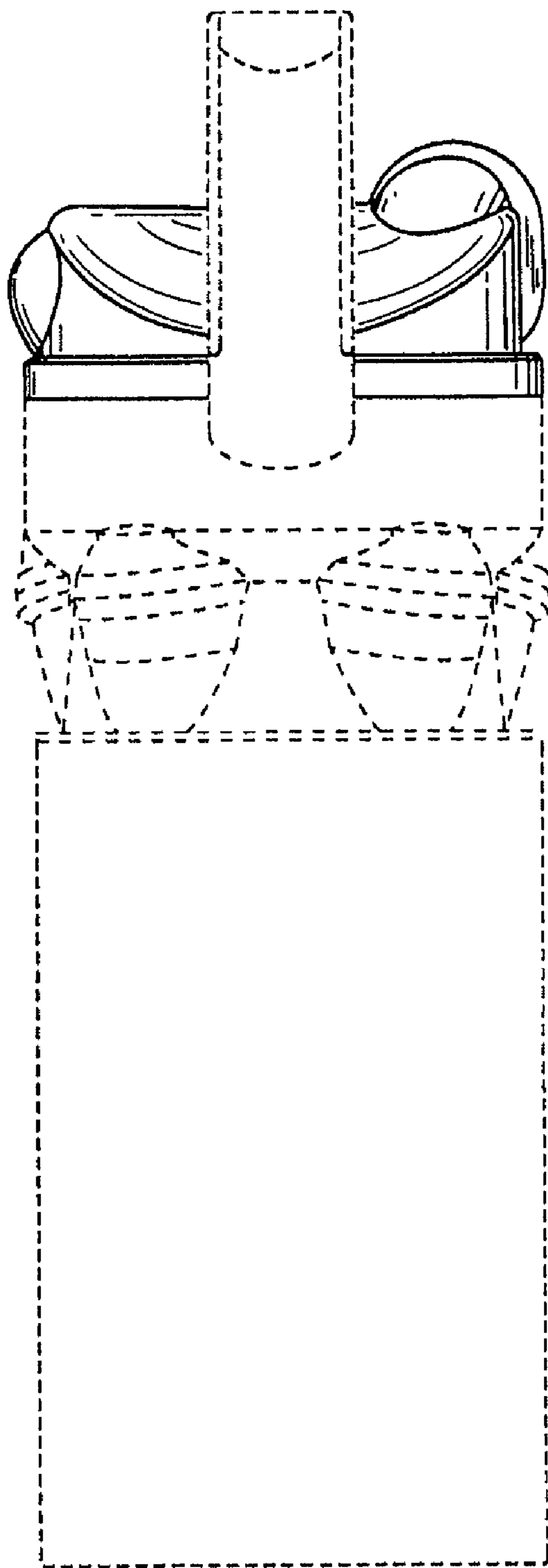


Fig. 6

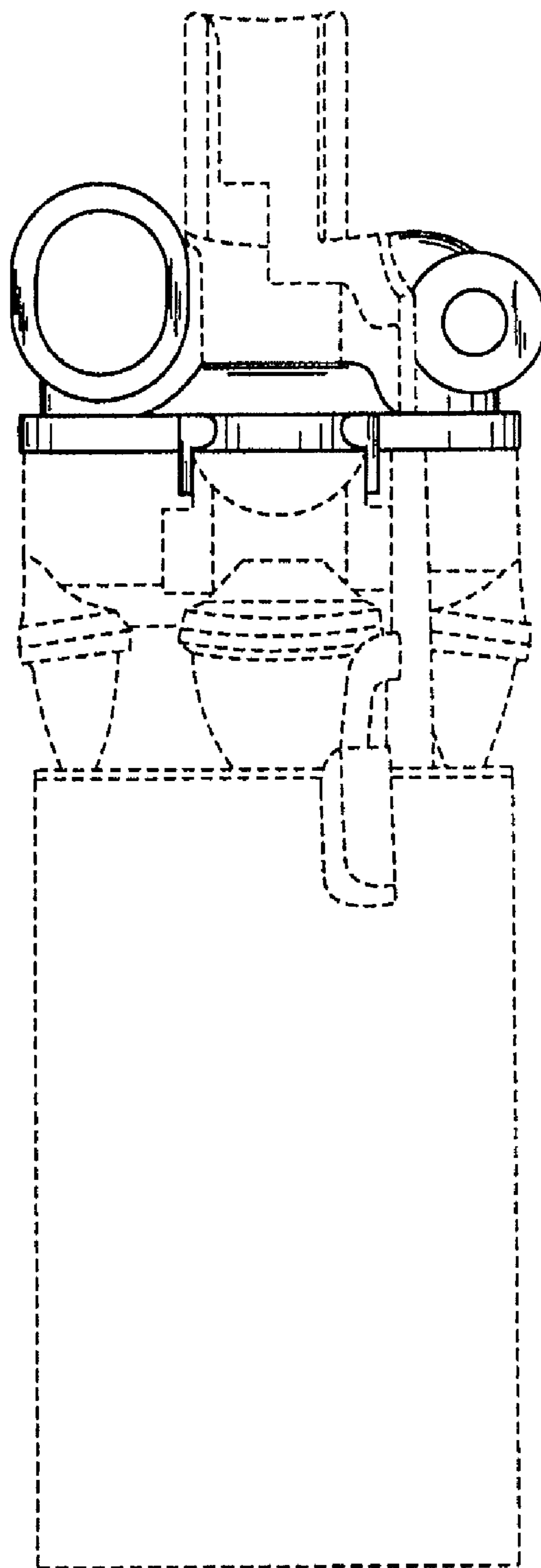


Fig. 7