



US00D596358S

(12) **United States Design Patent**
Witter et al.

(10) **Patent No.:** **US D596,358 S**
(45) **Date of Patent:** **** Jul. 14, 2009**

(54) **SHOP VACUUM CLEANER WITH CYCLONIC SEPARATOR**

(75) Inventors: **Robert M. Witter**, Syracuse, NY (US);
Jeffrey Hill, Cicero, NY (US)

(73) Assignee: **Oneida Air Systems, Inc.**, Syracuse, NY (US)

(**) Term: **14 Years**

(21) Appl. No.: **29/319,062**

(22) Filed: **Jun. 3, 2008**

(51) **LOC (9) Cl.** **15-05**

(52) **U.S. Cl.** **D32/21**

(58) **Field of Classification Search** D32/1,
D32/21, 31; 15/327.1-327.7, 340.2, 412,
15/320-321, 329, 323, 246.2, 353, 347; 417/234;
55/459.1, DIG. 3, 345, 337, 429, 460, 295,
55/428, 385.1; 95/271; 210/512.1

See application file for complete search history.

(56) **References Cited**

U.S. PATENT DOCUMENTS

D236,319 S *	8/1975	Jakubowski	D32/21
D289,096 S *	3/1987	Larsen	D32/21
D482,827 S *	11/2003	Storer et al.	D32/21
D527,852 S *	9/2006	Tsai	D32/1
D531,769 S *	11/2006	Lin	D32/21

D533,321 S *	12/2006	Peng	D32/21
D533,694 S *	12/2006	Cheng	D32/21
D549,892 S *	8/2007	Lin	D32/1
D566,350 S *	4/2008	Leasure	D32/21
2006/0016162 A1 *	1/2006	Lin	55/428
2007/0180646 A1 *	8/2007	Valentine	15/323
2008/0016830 A1 *	1/2008	Witter	55/337

* cited by examiner

Primary Examiner—Ruth McInroy

(74) *Attorney, Agent, or Firm*—Bernhard P. Molldrem, Jr.

(57) **CLAIM**

The ornamental design for a shop vacuum cleaner with cyclonic separator, as shown and described.

DESCRIPTION

FIG. 1 is a perspective view of a shop vacuum cleaner with cyclonic separator showing my new design. The lower dust collection barrel, wheels, wheel supports, electric power cord and plugs, electric outlet box, and vacuum hoses are shown in broken line, and do not form part of my design.

FIG. 2 is a front elevational view thereof.

FIG. 3 is a left side elevation thereof.

FIG. 4 is a top plan view thereof.

FIG. 5 is a right side elevation thereof; and,

FIG. 6 is a rear elevation thereof.

1 Claim, 3 Drawing Sheets

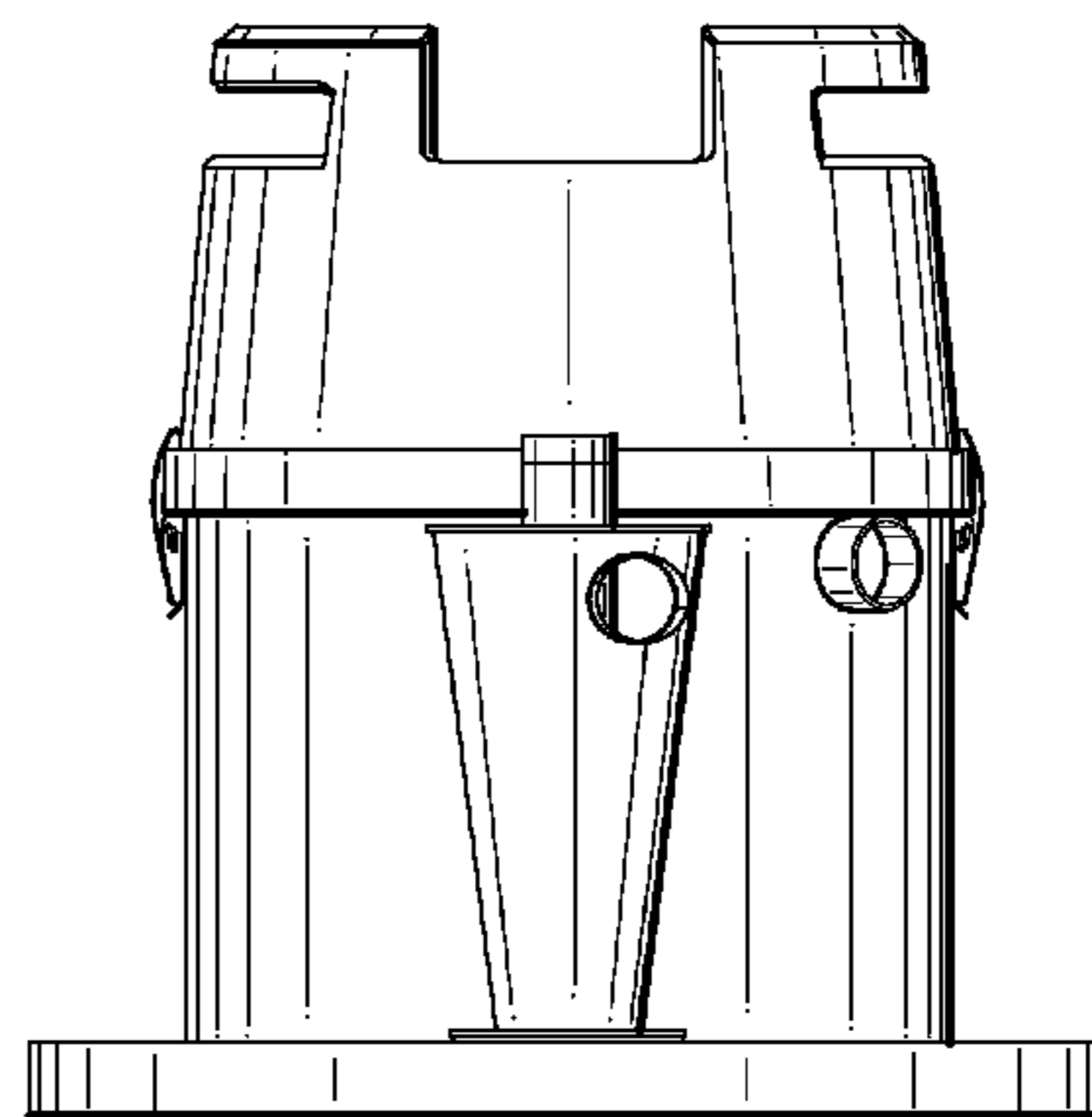
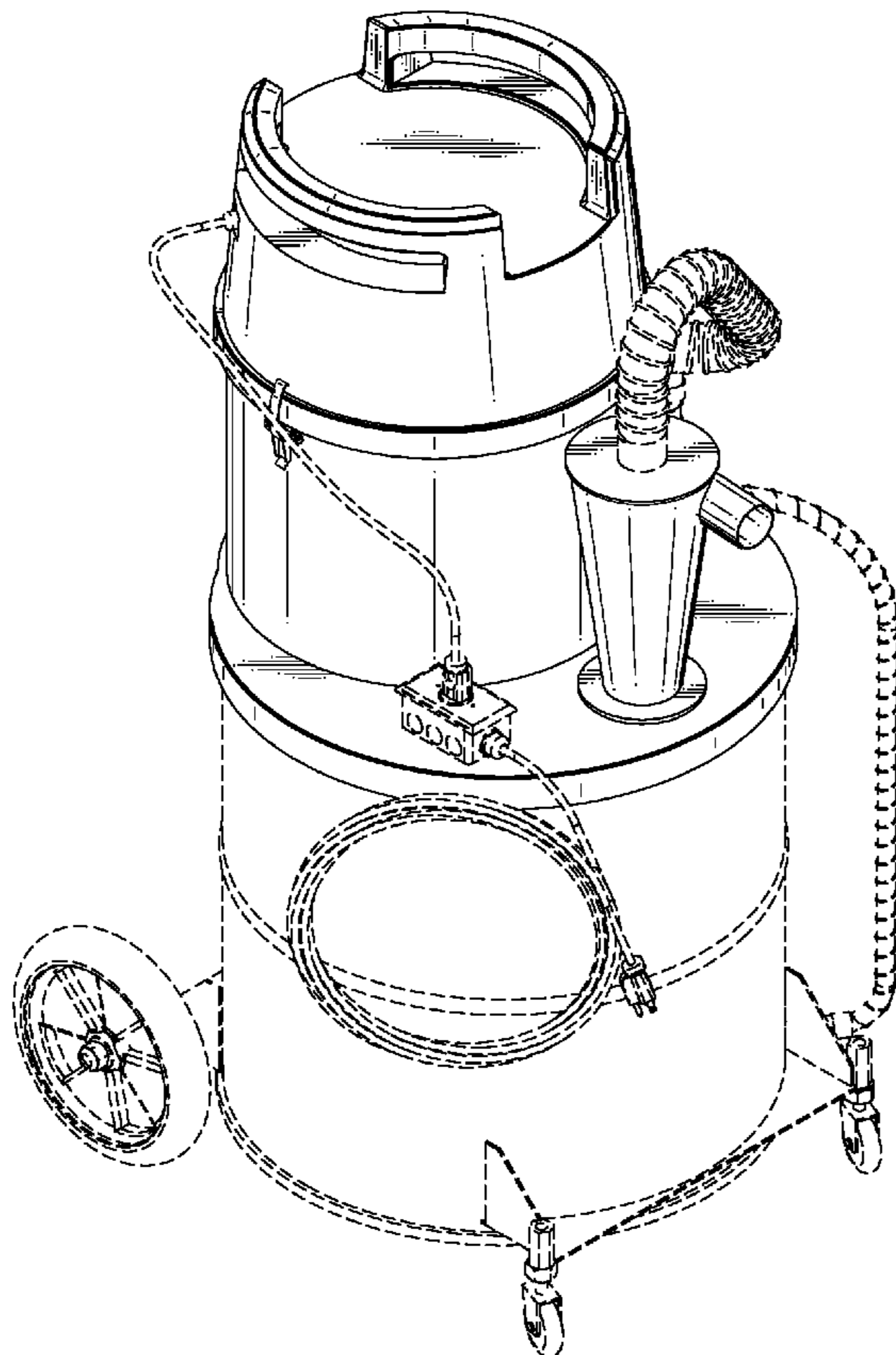
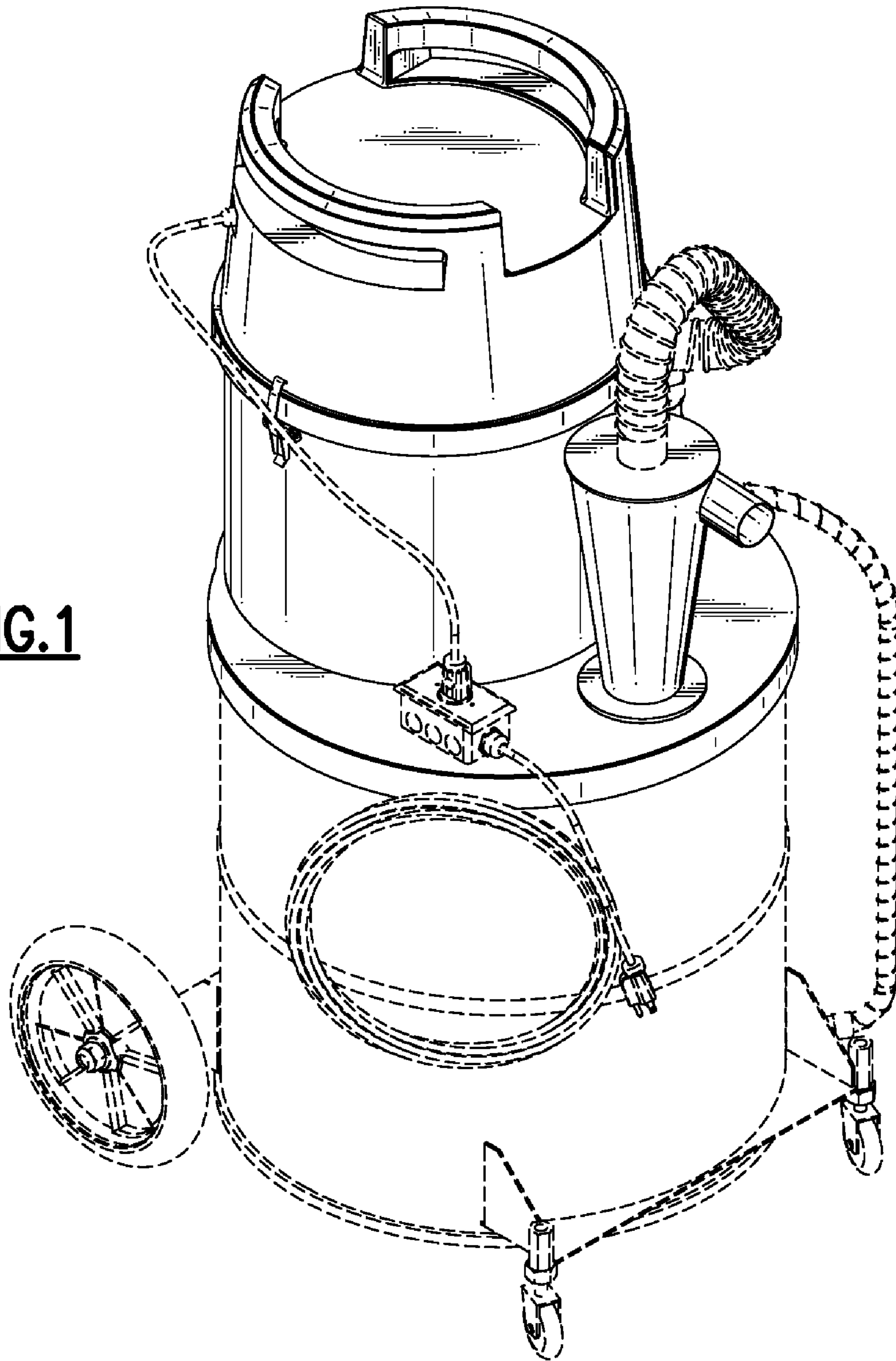


FIG. 1



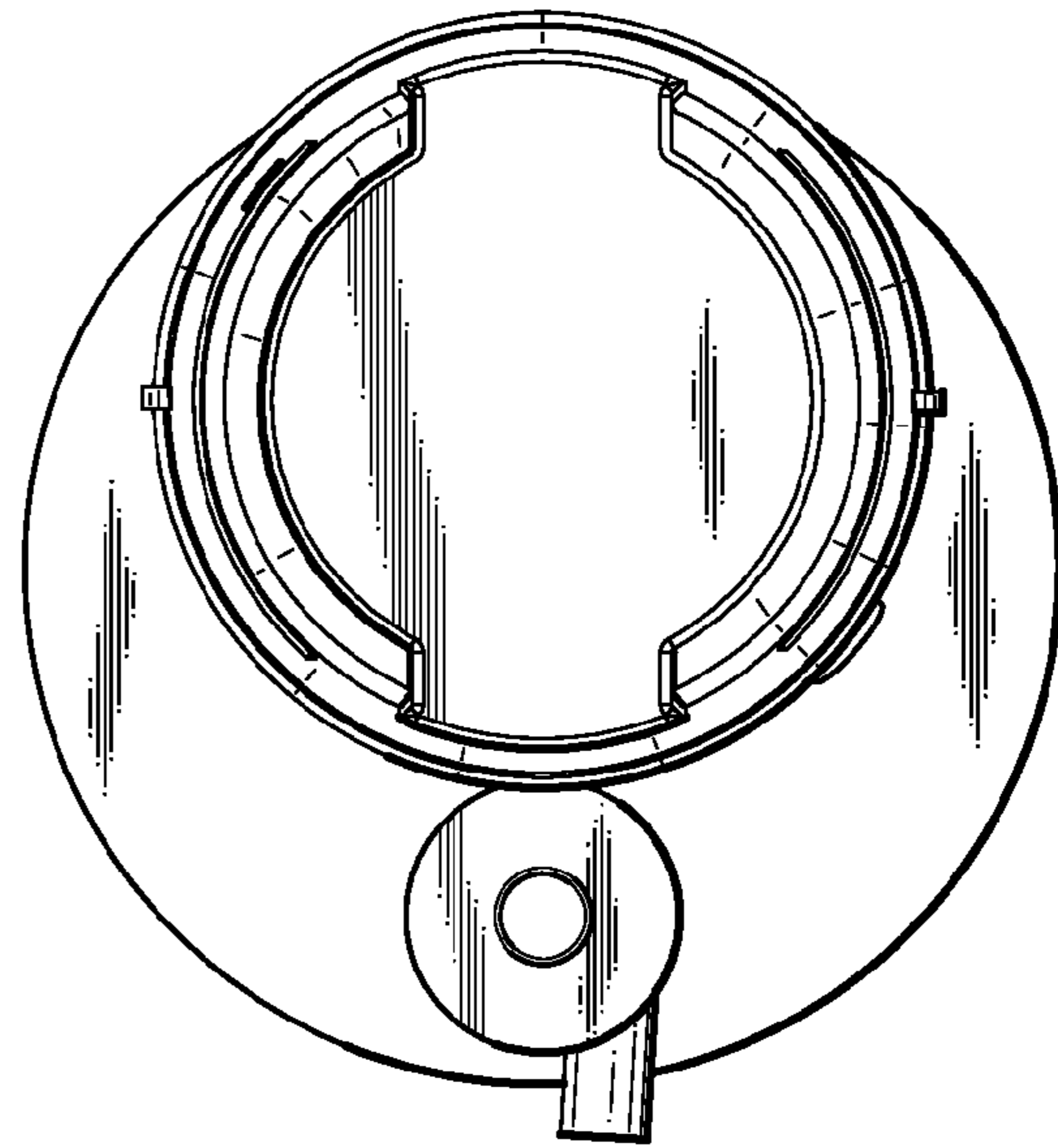


FIG. 4

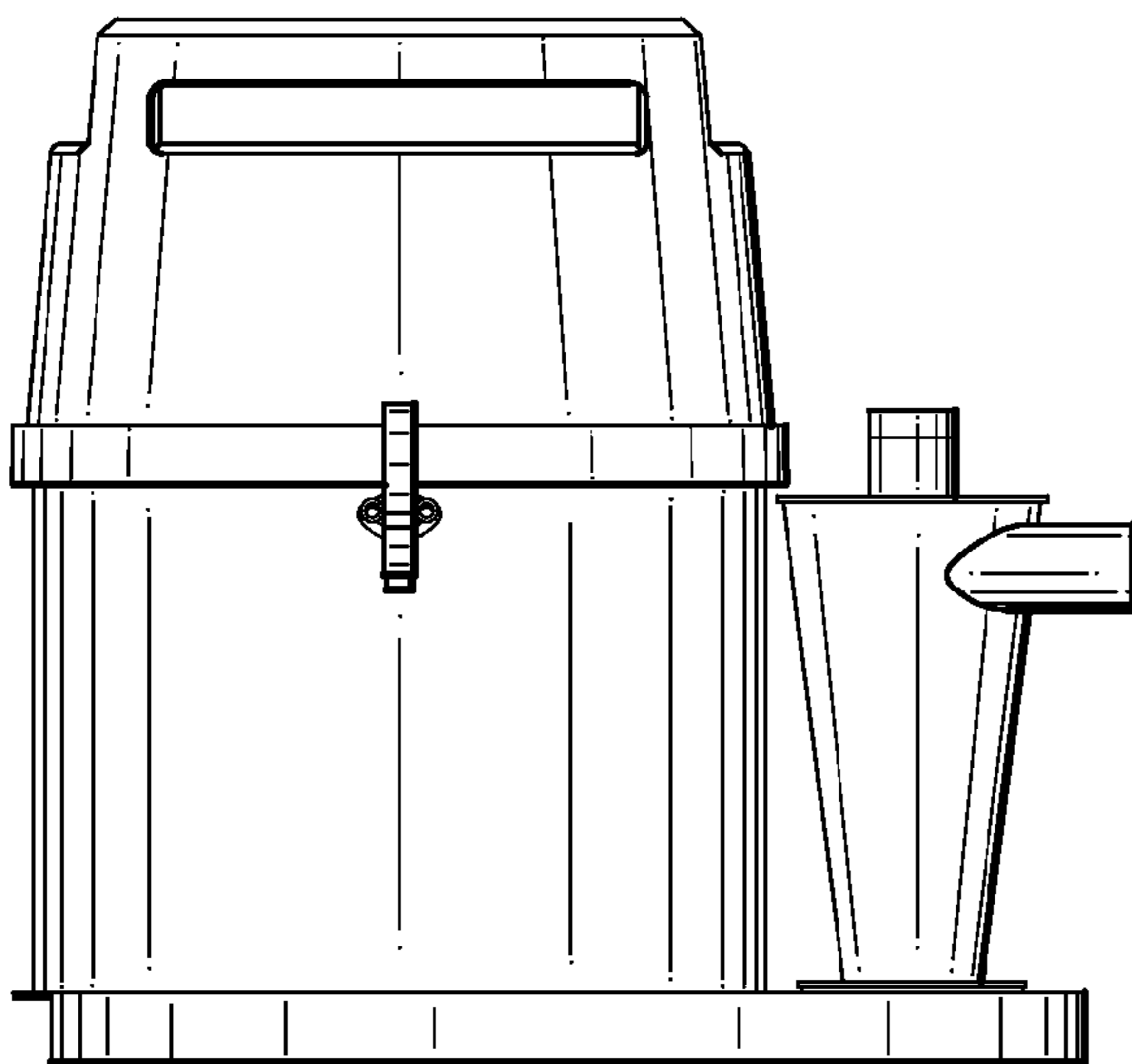


FIG. 3

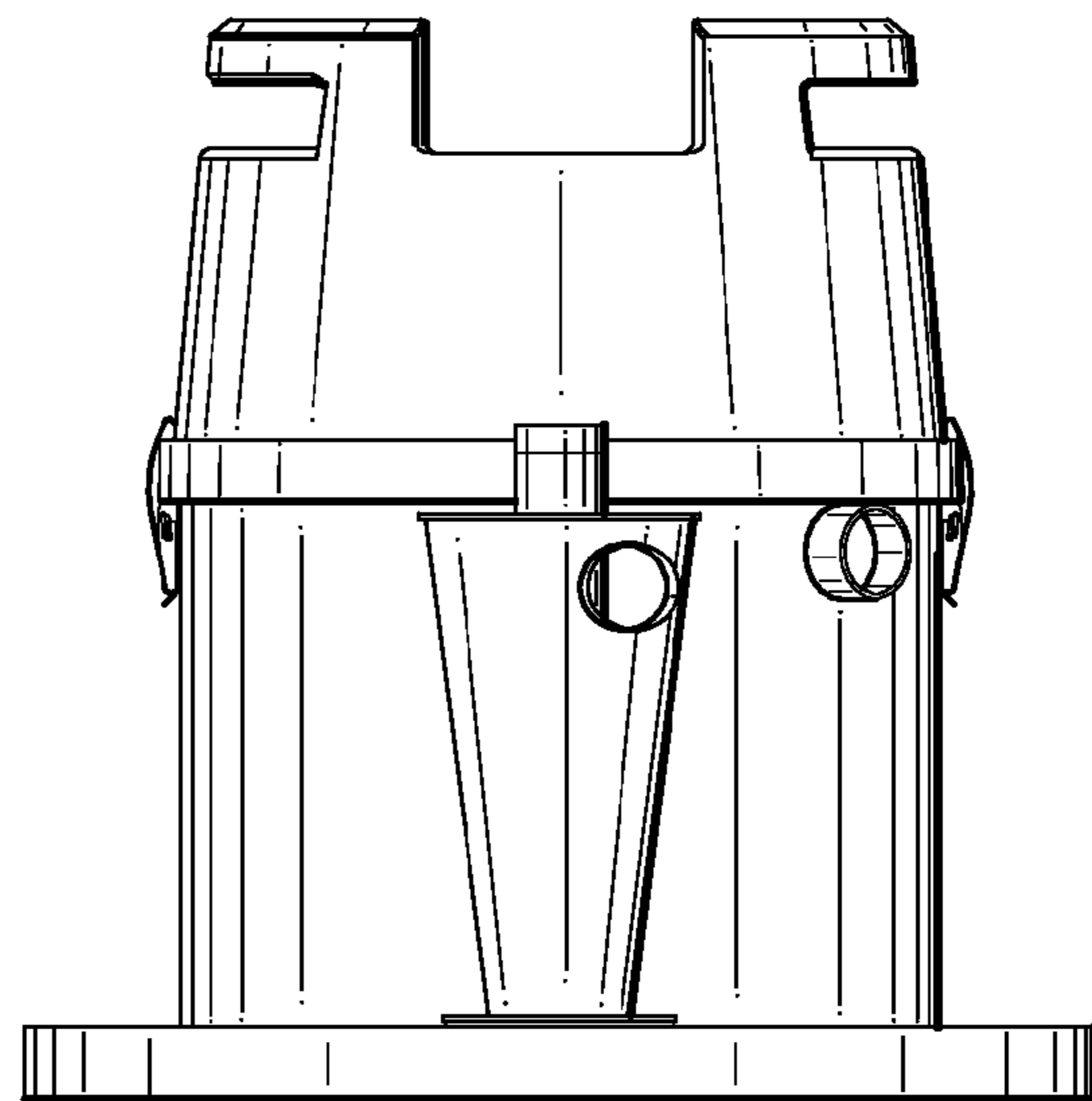


FIG. 2

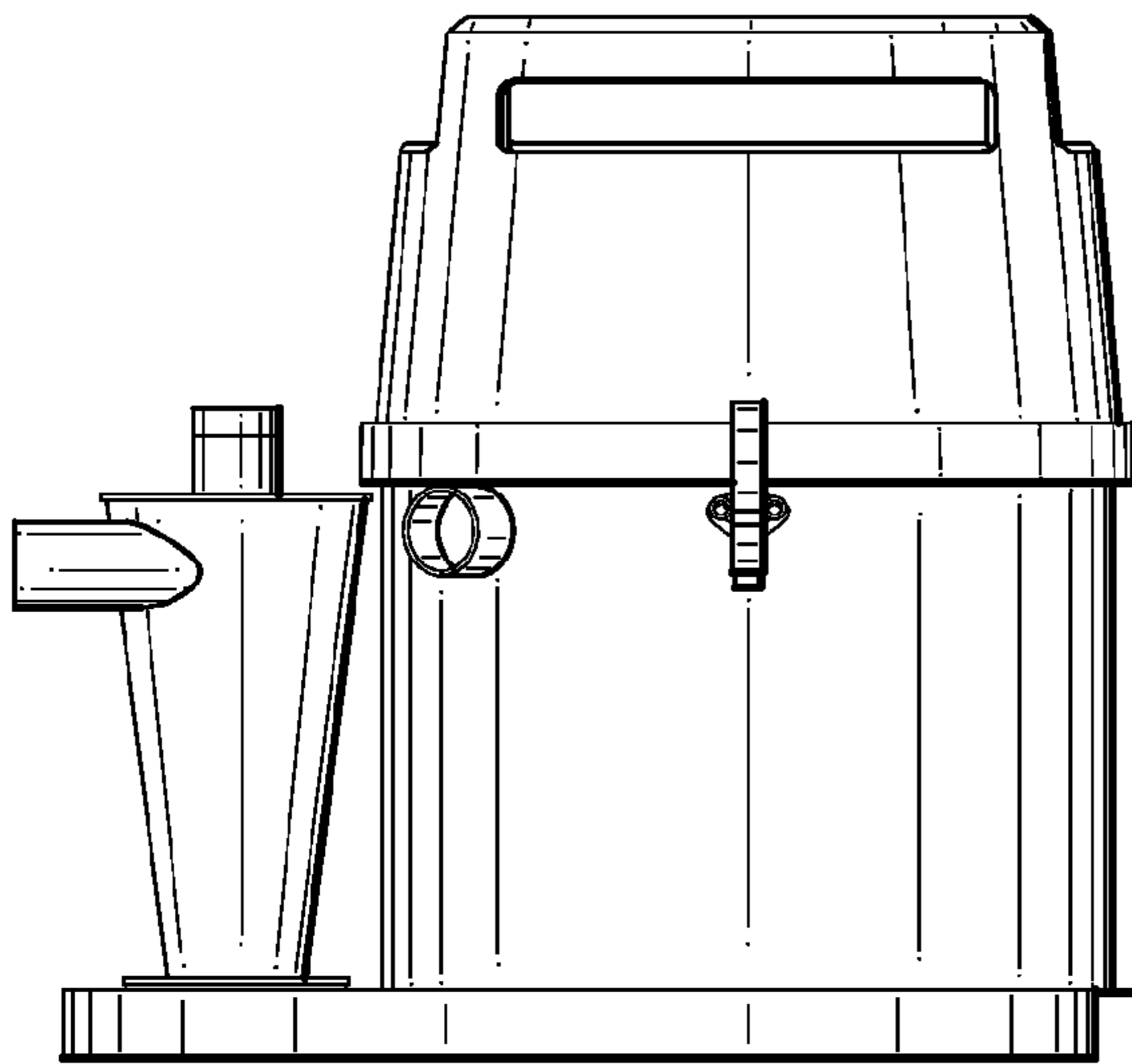


FIG. 5

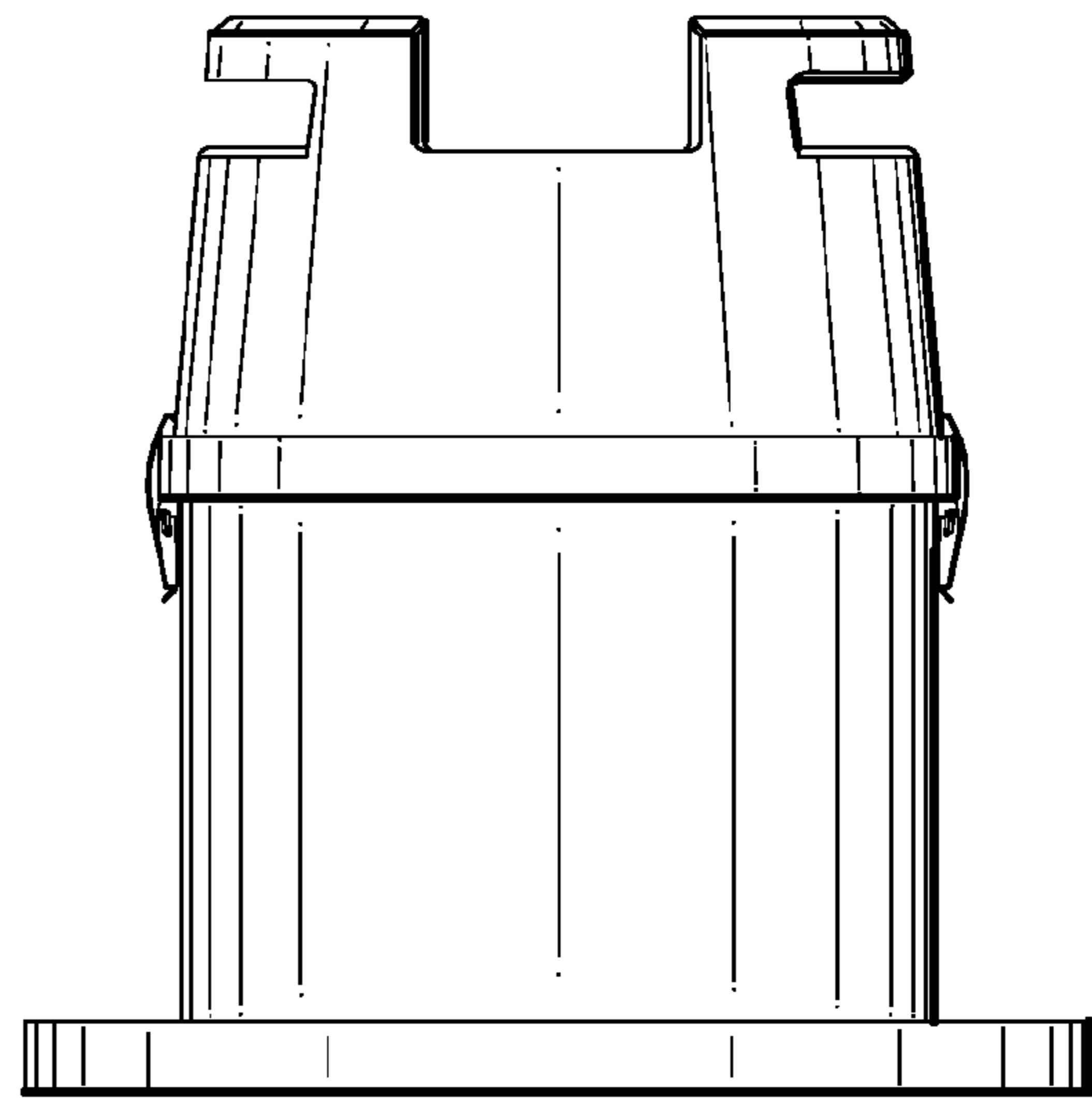


FIG. 6