

US00D596347S

(12) **United States Design Patent**
Boissevain

(10) **Patent No.:** **US D596,347 S**
(45) **Date of Patent:** **** Jul. 14, 2009**

(54) **LUMINAIRE ENDCAPS**
(75) Inventor: **Chris Boissevain**, Wimberley, TX (US)
(73) Assignee: **Koninklijke Philips Electronics, N.V.**,
Eindhoven (NL)
(**) Term: **14 Years**
(21) Appl. No.: **29/324,551**
(22) Filed: **Sep. 15, 2008**

4,667,275 A * 5/1987 Herst et al. 362/223
D434,519 S * 11/2000 Herst et al. D26/113
D437,959 S * 2/2001 Lewis D26/76
D488,576 S * 4/2004 Chen D26/67

* cited by examiner

Primary Examiner—Cathron C Brooks
Assistant Examiner—Kevin K Rudzinski
(74) *Attorney, Agent, or Firm*—John F. Salazar; Middleton
Reutinger

(51) **LOC (9) Cl.** **26-99**
(52) **U.S. Cl.** **D26/142**
(58) **Field of Classification Search** D11/131,
D11/141; D26/85, 76, 118, 87, 86, 128,
D26/74, 138, 60, 72, 75, 113, 120, 129, 140,
D26/141, 142, 152, 153, 154, 155, 143, 144,
D26/81; D8/381; D10/118; D13/180; D34/1;
D5/1, 2, 41; D6/310; 119/233, 266, 267,
119/269, 256, 257; 362/148, 364, 365, 606,
362/612, 576, 581, 121, 125, 147, 217, 257,
362/317, 330, 351, 356, 363, 396, 404, 405,
362/101, 366

See application file for complete search history.

(56) **References Cited**

U.S. PATENT DOCUMENTS

D149,026 S * 3/1948 Schwartz et al. D26/76
2,557,129 A * 6/1951 McDaid 362/291
D166,370 S * 4/1952 Wilson D26/85

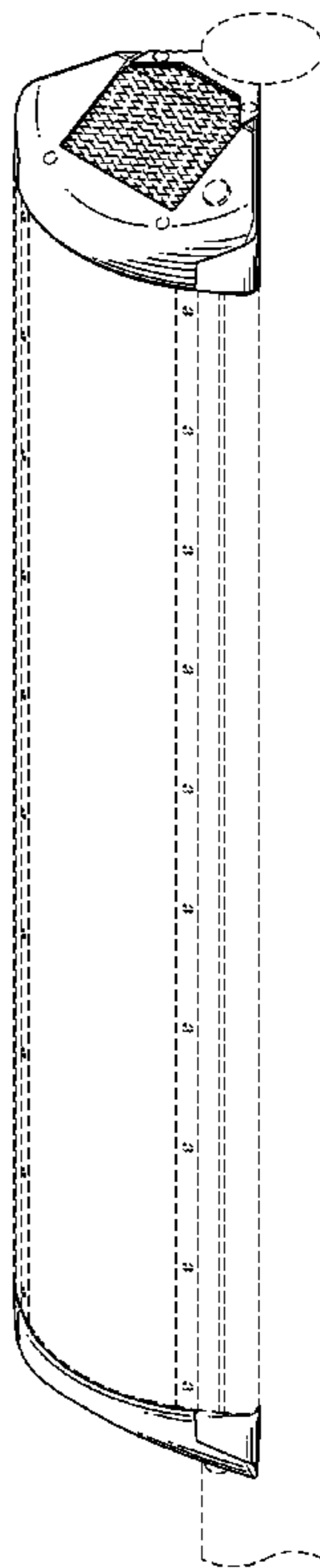
(57) **CLAIM**

The ornamental design for a luminaire endcaps, as shown and described.

DESCRIPTION

FIG. 1 is a top perspective view of the luminaire endcaps of the present invention;
FIG. 2 is a front view of the luminaire endcaps of FIG. 1;
FIG. 3 is a rear view of the luminaire endcaps of FIG. 1;
FIG. 4 is a right side elevation view of the luminaire endcaps of FIG. 1, a left side elevation view thereof being a mirror image of the right side elevation view;
FIG. 5 is a top view of the luminaire endcaps of FIG. 1; and,
FIG. 6 is a bottom view of the luminaire endcaps of FIG. 1.
The broken lines showing environmental structure are for illustrative purposes only and form no part of the claimed design.

1 Claim, 5 Drawing Sheets



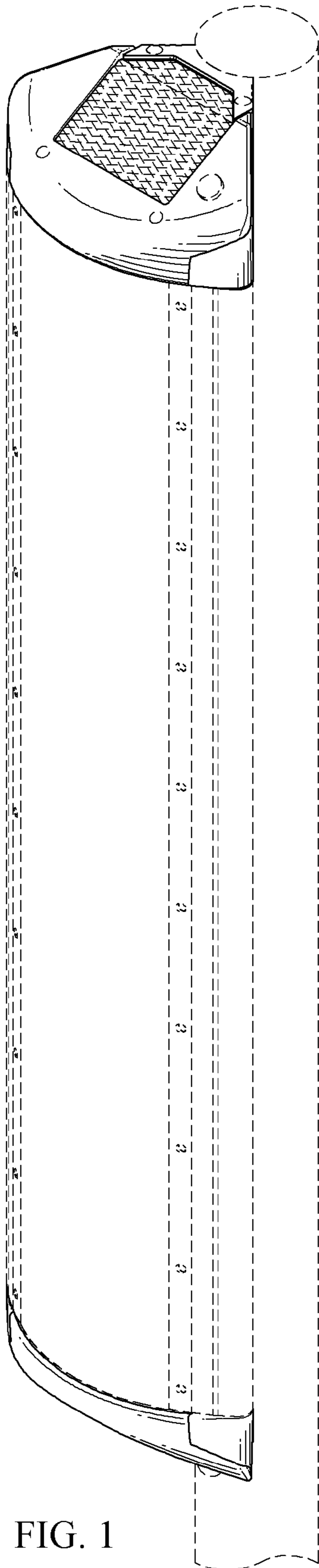


FIG. 1

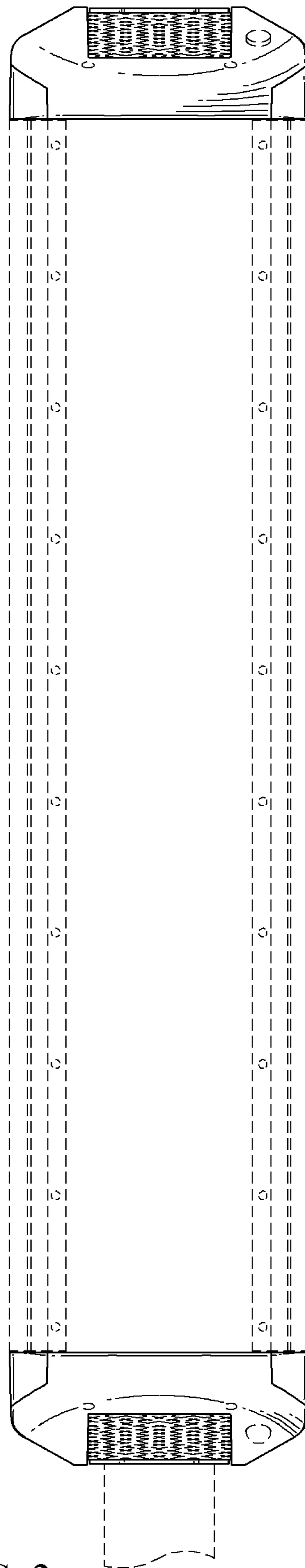


FIG. 2

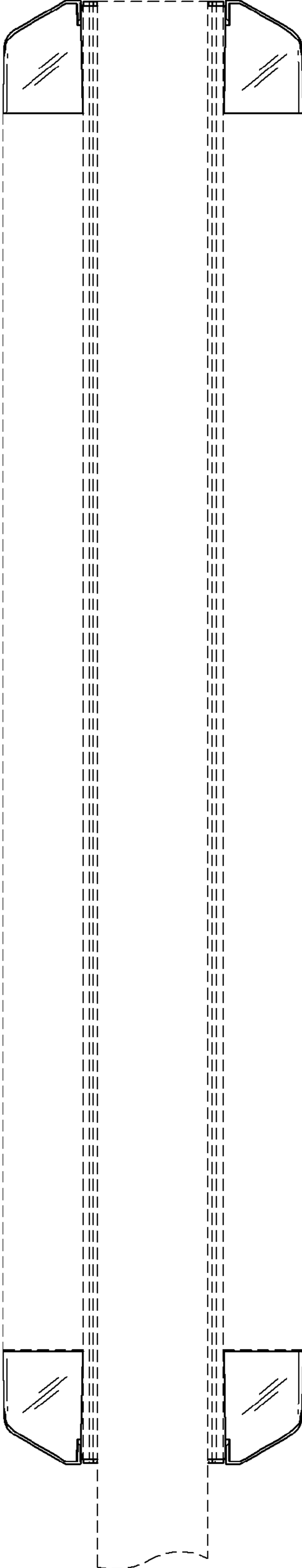


FIG. 3

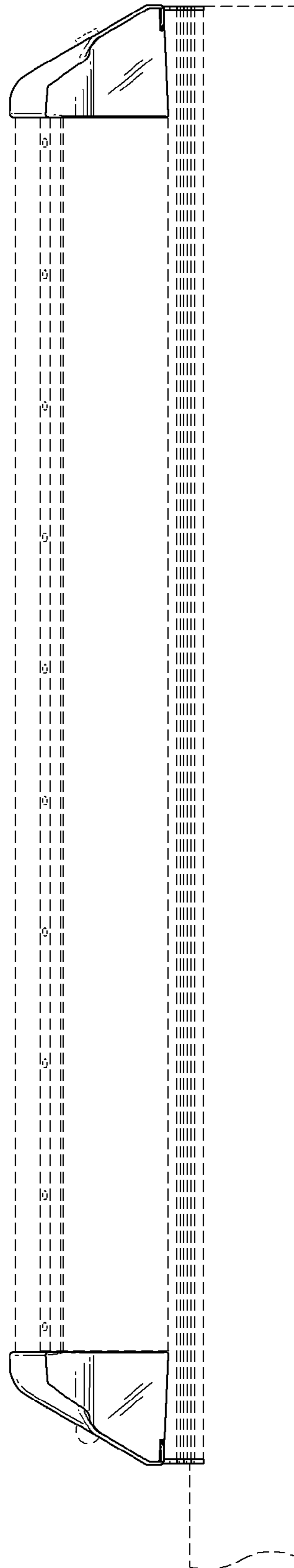


FIG. 4

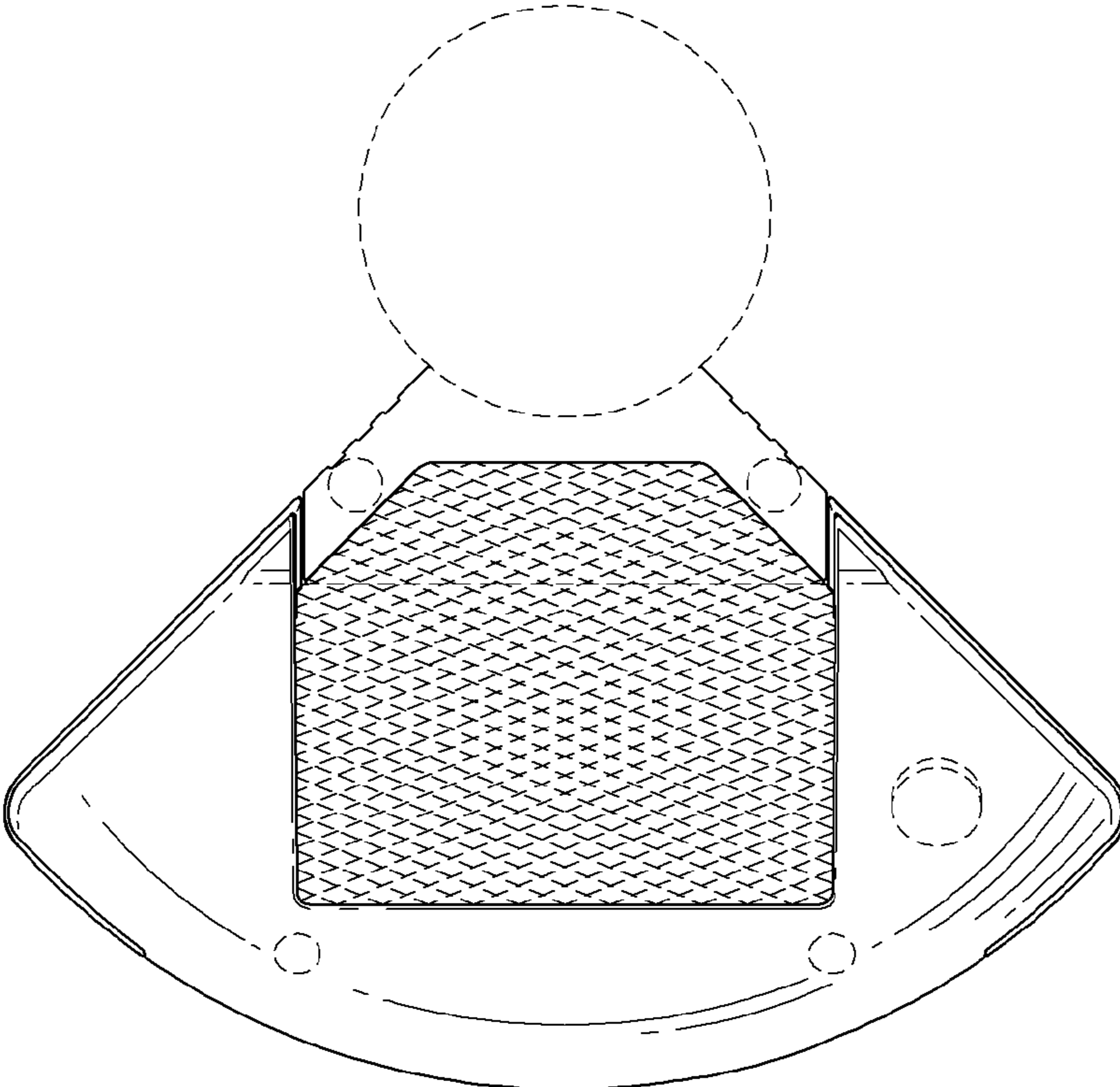


FIG. 5

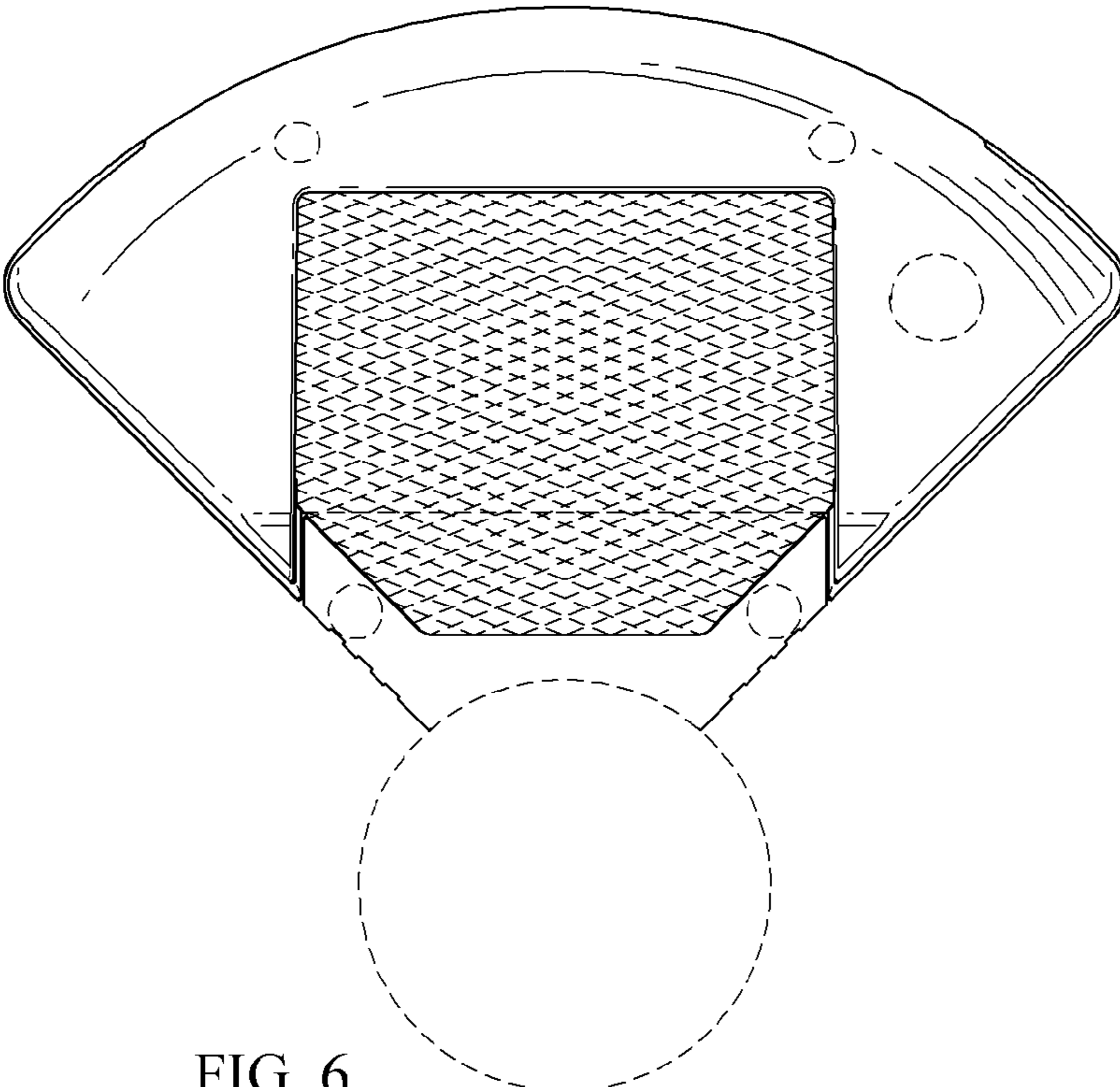


FIG. 6