



US00D596344S

(12) **United States Design Patent**  
**Boissevain**

(10) **Patent No.:** **US D596,344 S**  
(45) **Date of Patent:** **\*\* Jul. 14, 2009**

(54) **LUMINAIRE**

(75) Inventor: **Chris Boissevain**, Wimberley, TX (US)

(73) Assignee: **Koninklijke Philips Electronics, N.V.**,  
Eindhoven (NL)

(\*\*) Term: **14 Years**

(21) Appl. No.: **29/323,151**

(22) Filed: **Aug. 19, 2008**

(51) **LOC (9) Cl.** ..... **26-99**

(52) **U.S. Cl.** ..... **D26/120**

(58) **Field of Classification Search** ..... D11/131,  
D11/141; D26/85, 76, 118, 87, 86, 128,  
D26/74, 138, 60, 72, 75, 113, 120, 129, 140,  
D26/141, 142, 152, 153, 154, 155, 143, 144,  
D26/81; D8/381; D10/118; D13/180; D34/1;  
D5/1, 2, 41; D6/310; 119/233, 266, 267,  
119/269, 256, 257; 362/148, 364, 365, 606,  
362/612, 576, 581, 121, 125, 147, 217, 257,  
362/317, 330, 351, 356, 363, 396, 404, 405,  
362/101, 366

See application file for complete search history.

(56) **References Cited**

**U.S. PATENT DOCUMENTS**

D133,986	S	*	10/1942	Gordon	.....	D26/76
2,352,804	A	*	7/1944	Schepmoes	.....	362/222
D149,026	S	*	3/1948	Schwartz et al.	.....	D26/76
D160,417	S	*	10/1950	Nitardy	.....	D26/77
2,557,129	A	*	6/1951	McDaid	.....	362/291
D177,232	S	*	3/1956	Harling	.....	D26/24
D188,436	S	*	7/1960	Budke et al.	.....	D26/77
D250,910	S	*	1/1979	Clark et al.	.....	D26/112
4,580,200	A	*	4/1986	Hess et al.	.....	362/223
4,667,275	A	*	5/1987	Herst et al.	.....	362/223

D300,953	S	*	5/1989	Hughes et al.	.....	D26/78
D311,596	S	*	10/1990	Herst et al.	.....	D26/85
5,245,518	A	*	9/1993	Aspenwall	.....	362/640
D351,039	S	*	9/1994	Cole, Jr.	.....	D26/77
D421,815	S	*	3/2000	Herst et al.	.....	D26/76
D437,959	S	*	2/2001	Lewis	.....	D26/76
6,273,592	B1	*	8/2001	Herst et al.	.....	362/342
D481,820	S	*	11/2003	Watt	.....	D26/77
D492,809	S	*	7/2004	Weitgasser	.....	D26/76
D519,667	S	*	4/2006	Zucker	.....	D26/85
D521,172	S	*	5/2006	Chen	.....	D26/76
D528,649	S	*	9/2006	Wilson	.....	D23/411

\* cited by examiner

*Primary Examiner*—Cathron C Brooks

*Assistant Examiner*—Kevin K Rudzinski

(74) *Attorney, Agent, or Firm*—John D. Salazar; Middleton Reutlinger

(57) **CLAIM**

The ornamental design for a luminaire, as shown and described.

**DESCRIPTION**

FIG. 1 is a top perspective view of the luminaire of the present invention;

FIG. 2 is a front view of the luminaire of FIG. 1;

FIG. 3 is a left side elevation view of the luminaire of FIG. 1;

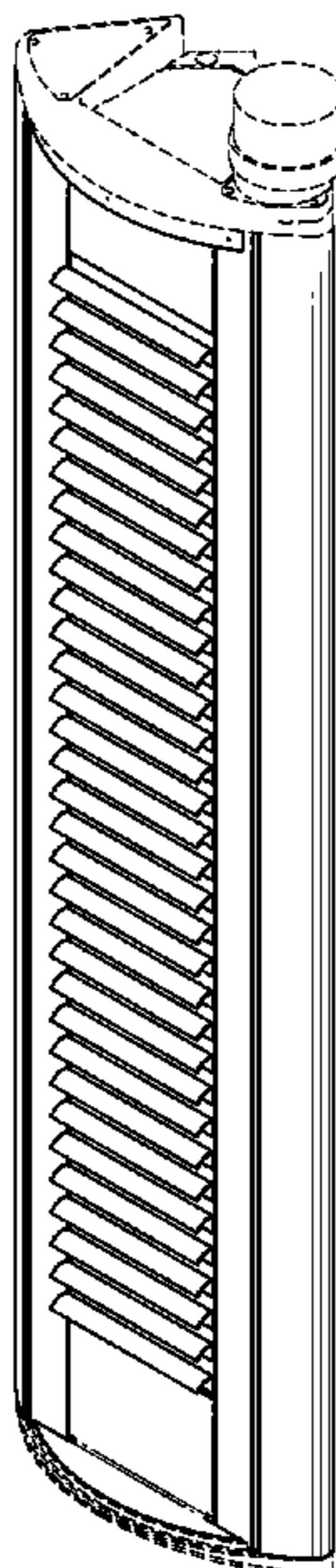
FIG. 4 is a right side elevation view of the luminaire of FIG. 1;

FIG. 5 is a top view of the luminaire of FIG. 1; and,

FIG. 6 is a bottom view of the luminaire of FIG. 1.

The broken lines showing environmental structure are for illustrative purposes only and form no part of the claimed design.

**1 Claim, 6 Drawing Sheets**



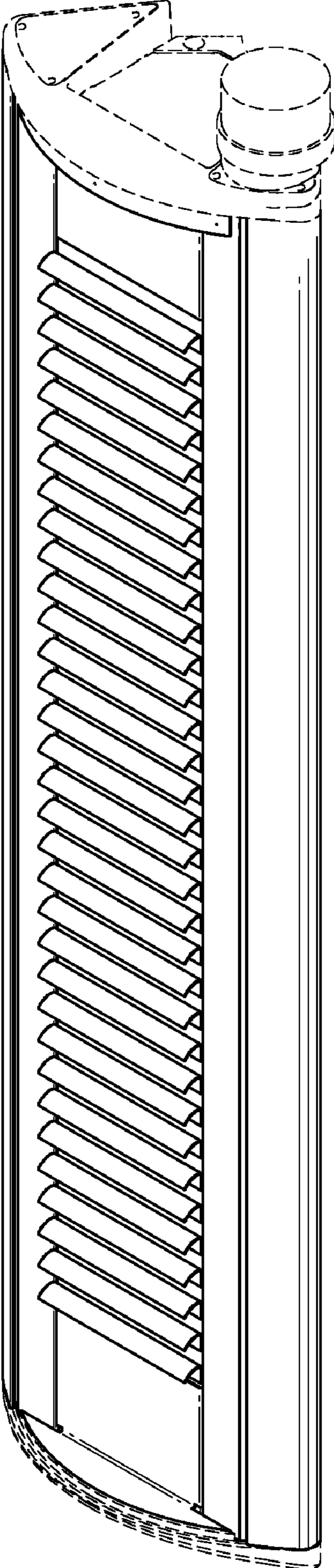


FIG. 1

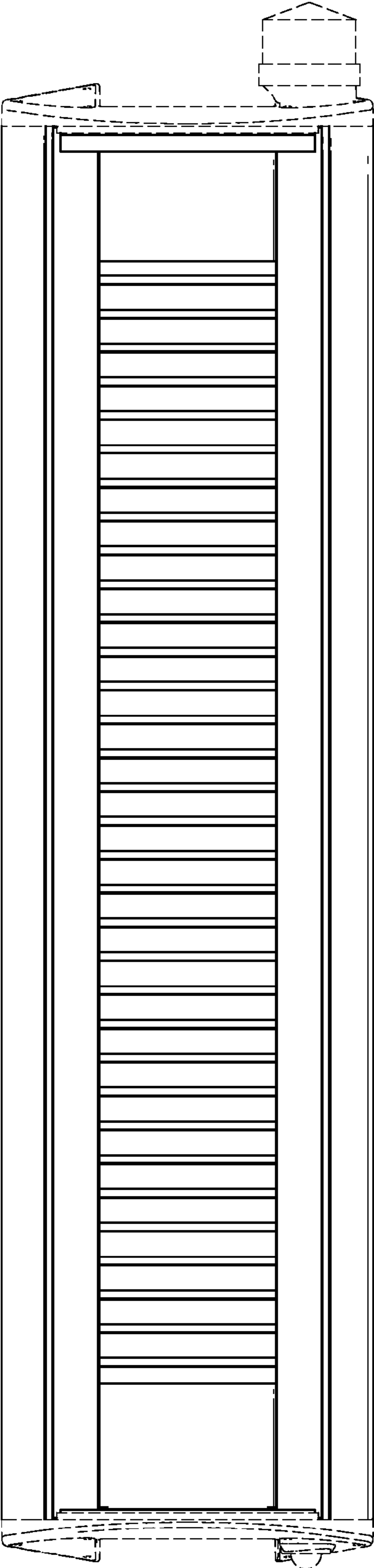


FIG. 2

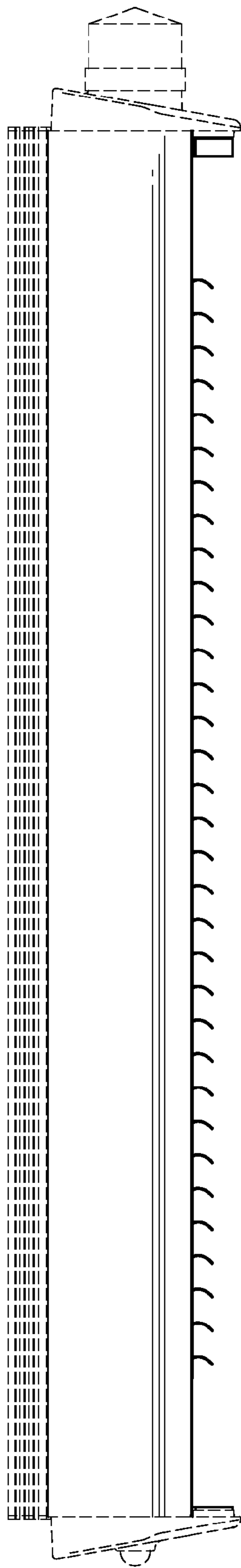


FIG. 3

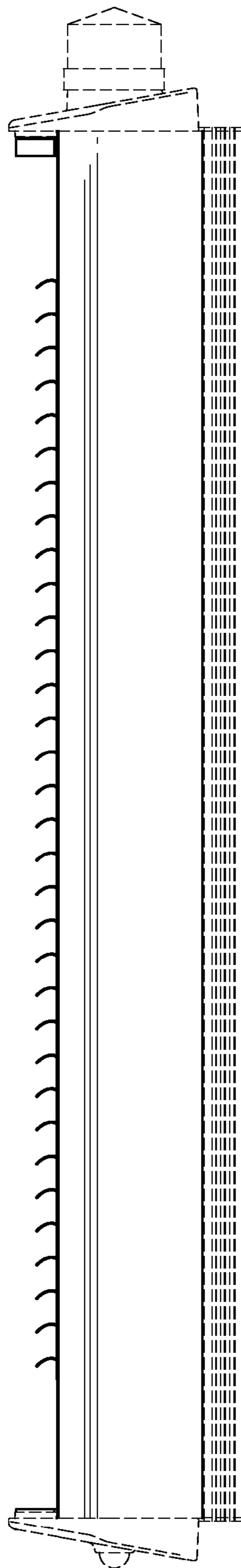


FIG. 4

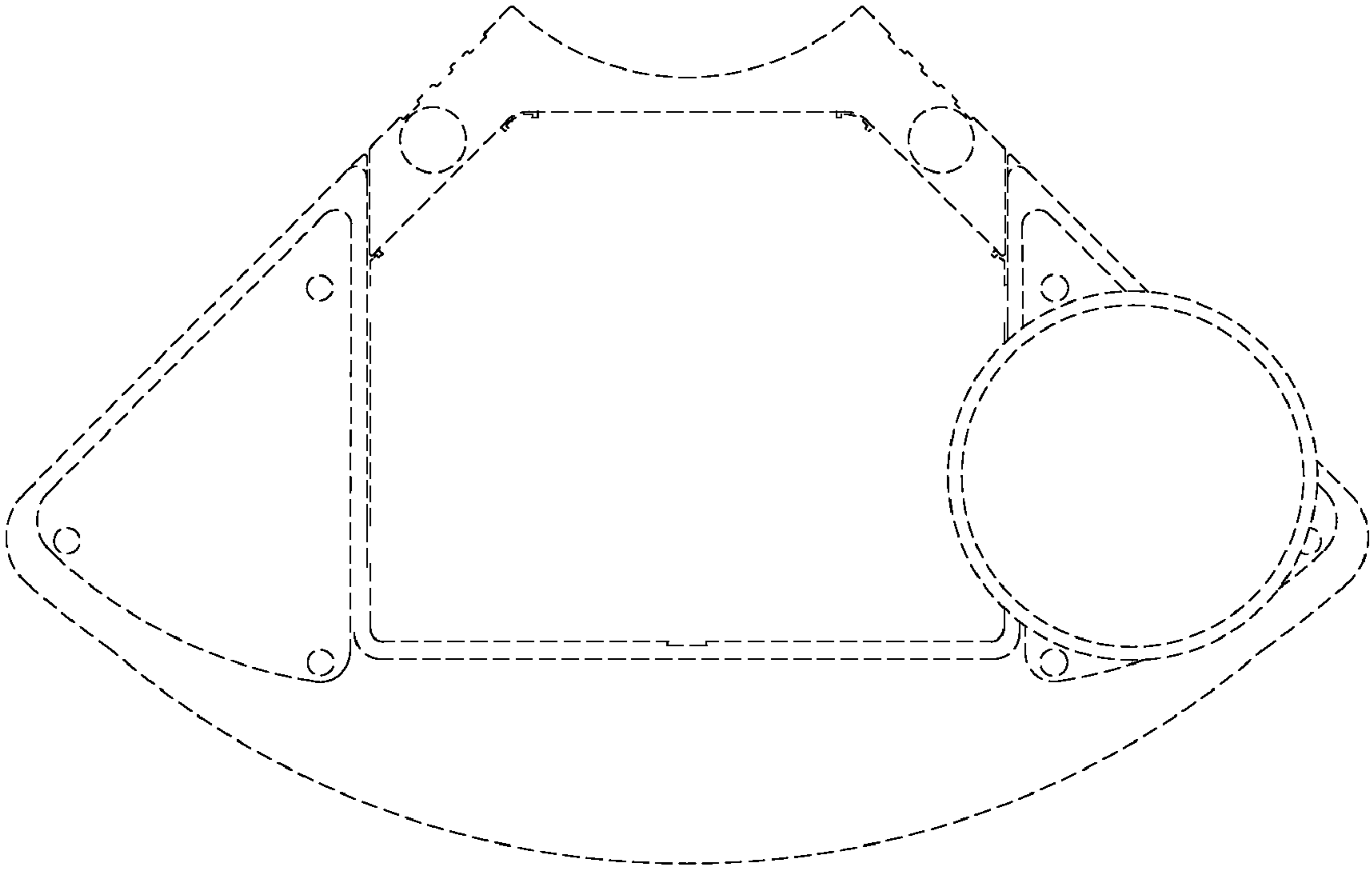


FIG. 5

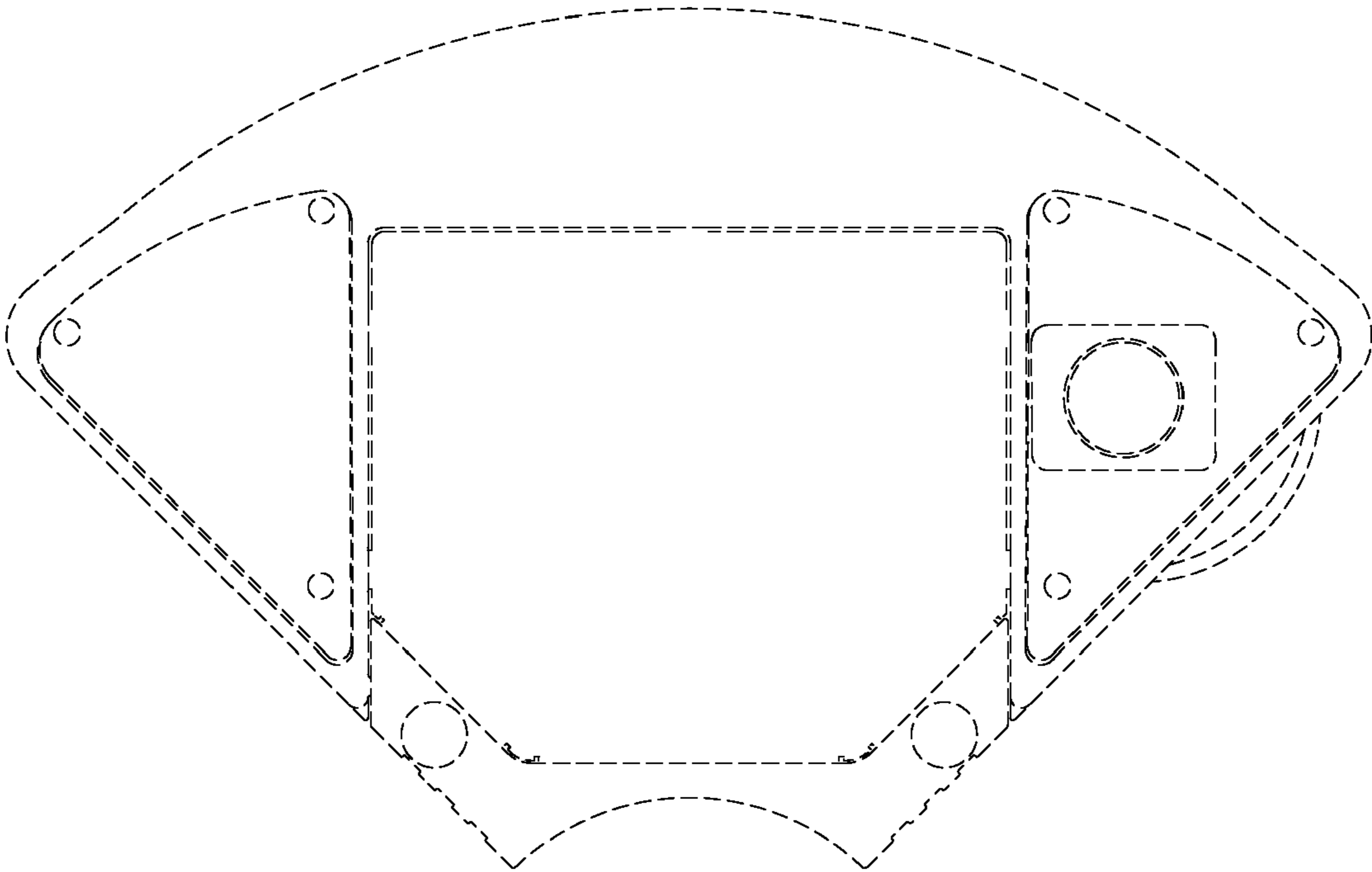


FIG. 6