



US00D596339S

(12) **United States Design Patent**  
**Sabernig**

(10) **Patent No.:** **US D596,339 S**  
(45) **Date of Patent:** **\*\* Jul. 14, 2009**

- (54) **LIGHT FIXTURE**
- (75) Inventor: **Robert Sabernig**, Munster (AT)
- (73) Assignee: **EGLO Leuchten GmbH**, Innsbruck (AT)
- (\*\*) Term: **14 Years**
- (21) Appl. No.: **29/325,953**
- (22) Filed: **Oct. 8, 2008**

- (51) **LOC (9) Cl.** ..... **26-03**
- (52) **U.S. Cl.** ..... **D26/90**
- (58) **Field of Classification Search** ..... D26/75,  
D26/76, 79, 81, 83, 84, 85, 86, 88-91, 118,  
D26/138, 141; 362/147, 404-408  
See application file for complete search history.

(56) **References Cited**

**U.S. PATENT DOCUMENTS**

D123,049 S *	10/1940	Doane	.....	D26/76
D129,836 S *	10/1941	Koegel	.....	D26/76
D468,474 S *	1/2003	Poulton	.....	D26/90
D584,446 S *	1/2009	Sabernig	.....	D26/88
D584,849 S *	1/2009	Otero	.....	D26/88

**OTHER PUBLICATIONS**

- "Forma Piccolo" Oval Line Voltage Pendant #PS9535 shown on p. 12 of the Alico Industries Catalog © 2008.\*
- "Waffle" pendant #E20019-44 shown on p. 11 of the ET2 Lighting 2007 Catalog / 2<sup>nd</sup> Edition.\*
- "Lamontage Sangria Swirls Shade" #5746-1H shown on p. 166 of the AF Lighting Catalog © 2007.\*
- "Lamontage Alpine Swirl Shade" #5739-2H shown on p. 164 of the AF Lighting Catalog © 2007.\*

\* cited by examiner

*Primary Examiner*—Clare E Heflin  
(74) *Attorney, Agent, or Firm*—Baker & McKenzie LLP

(57) **CLAIM**

The ornamental design for a light fixture, as shown and described.

**DESCRIPTION**

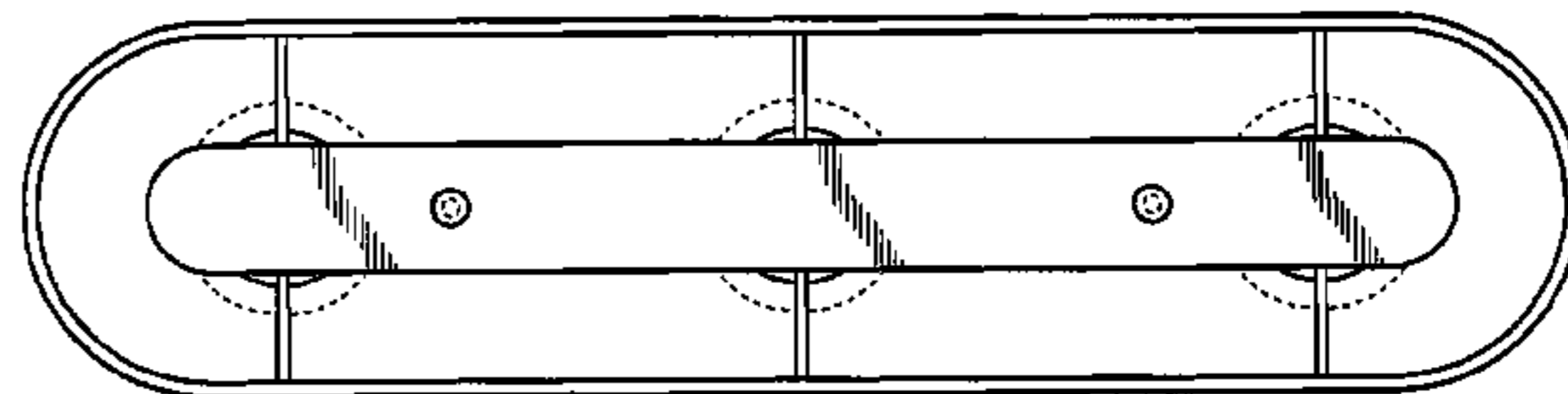
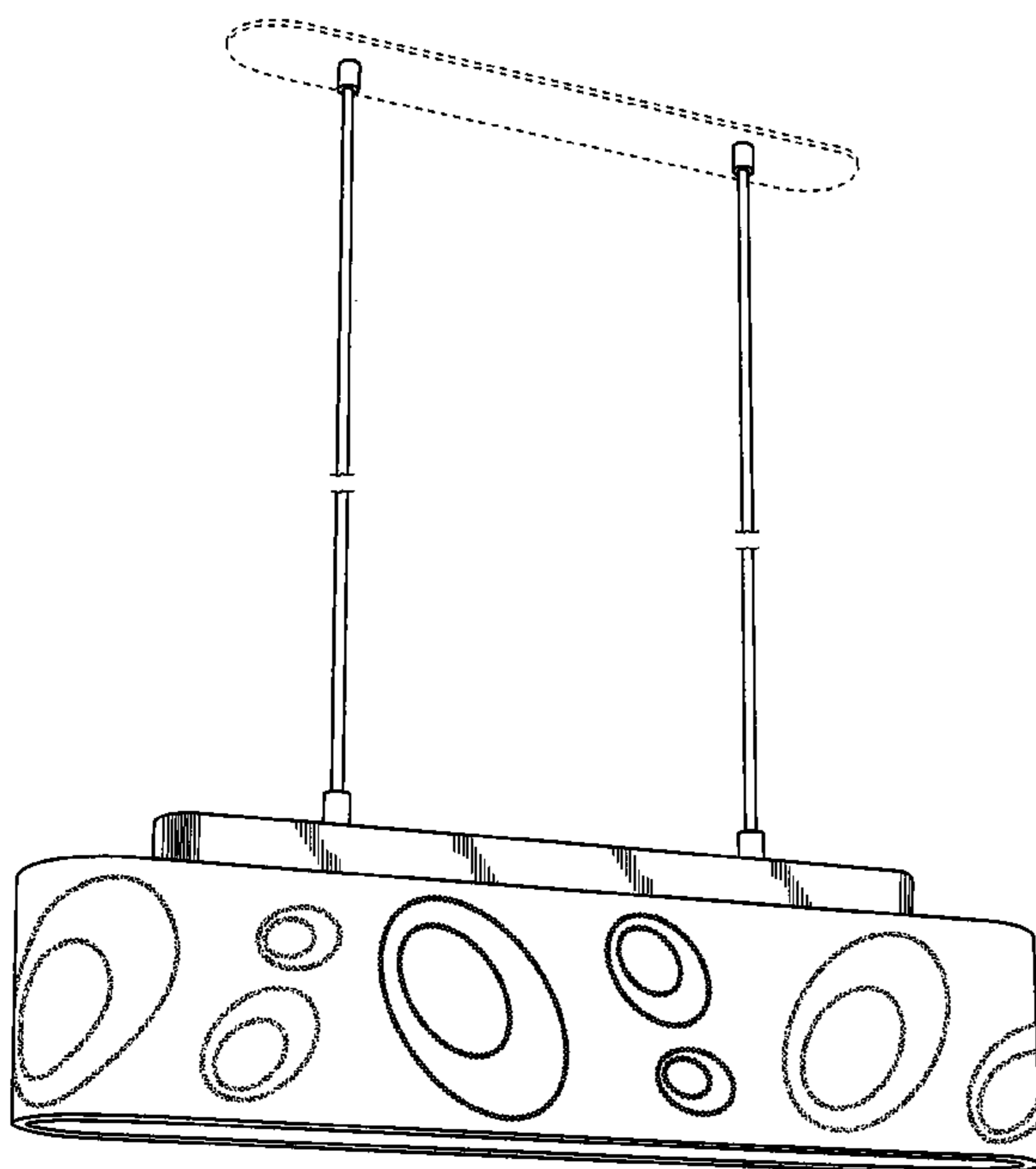
- FIG. 1 is a bottom perspective view of a light fixture in accordance with my design;
- FIG. 2 is a top plan view of the light fixture in accordance with my design;
- FIG. 3 is a bottom plan view of the light fixture in accordance with my design;
- FIG. 4 is a side elevation view of the light fixture in accordance with my design;
- FIG. 5 is an opposite side elevation view of the light fixture in accordance with my design;
- FIG. 6 is a front elevation view of the light fixture in accordance with my design; and,
- FIG. 7 is a back elevation view of the light fixture in accordance with my design.

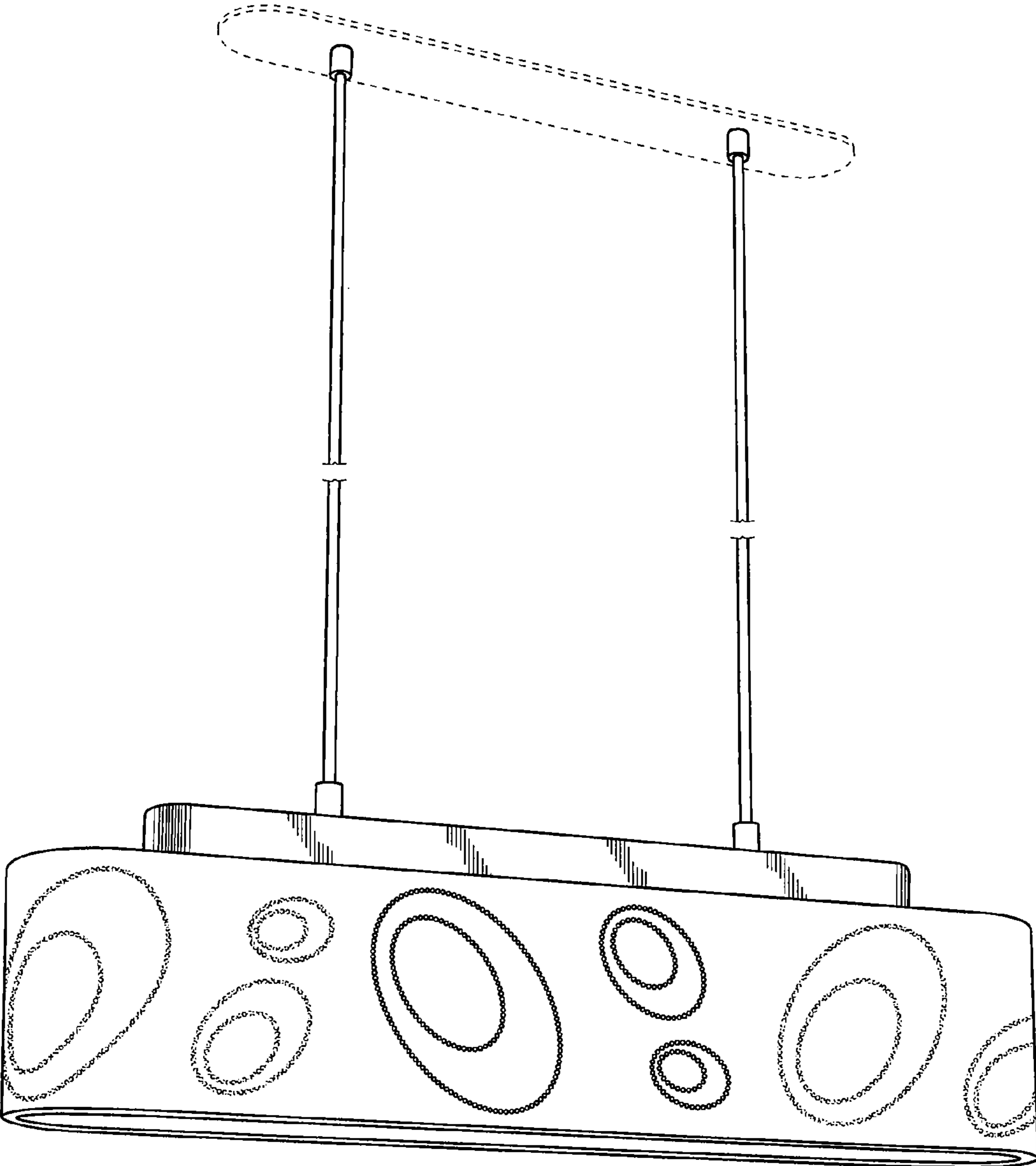
The light fixture of FIGS. 1 and 4—7 is shown with a portion broken away to indicate indeterminate length.

The broken lines showing environmental structure are for illustrative purposes only and form no part of the claimed design.

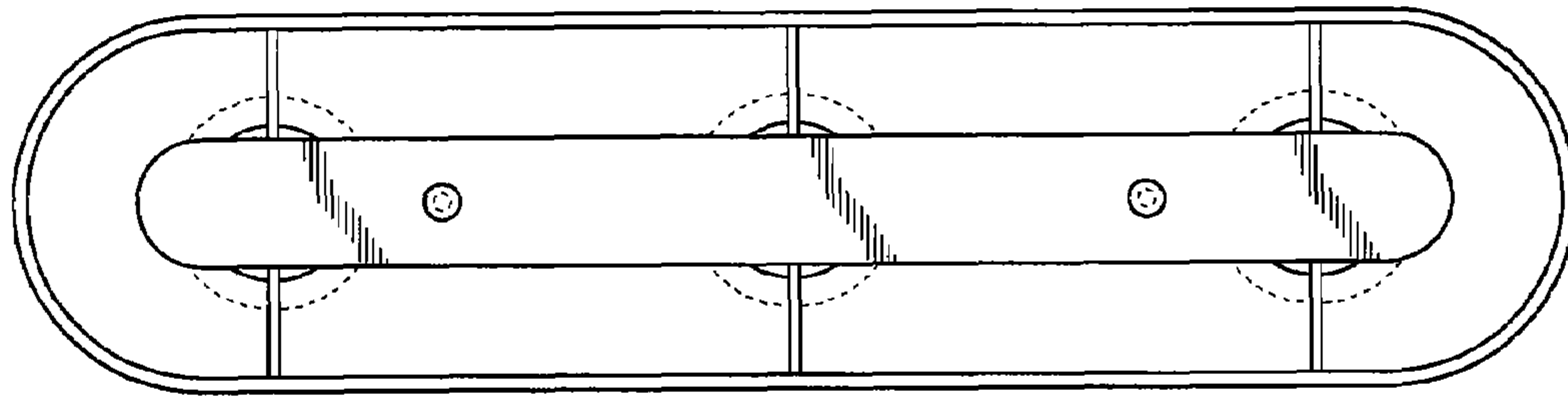
Features of the design include the pattern applied to the article as shown in the draftsman's representations.

**1 Claim, 3 Drawing Sheets**

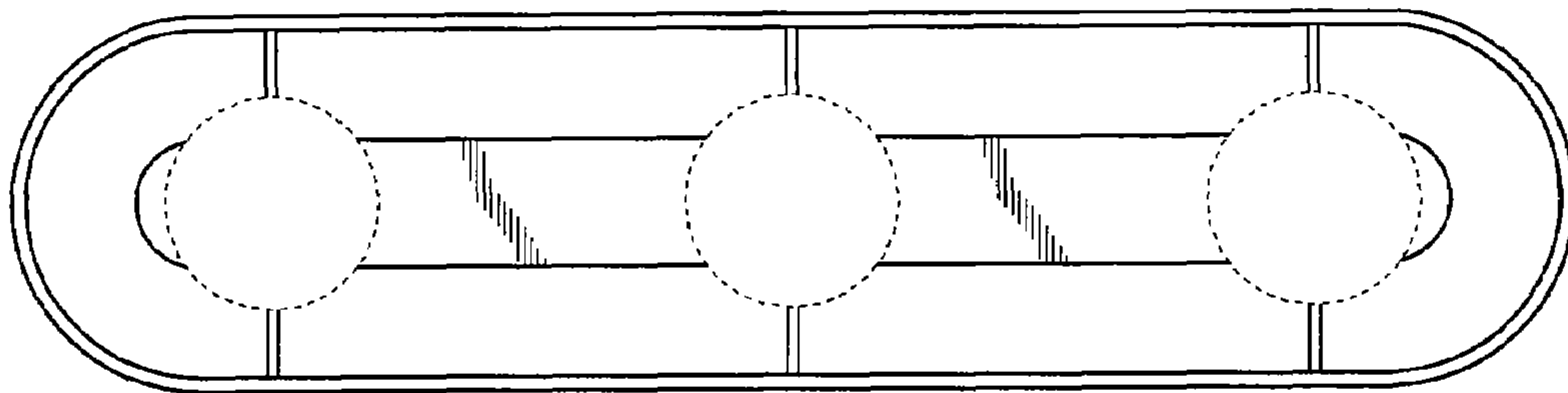




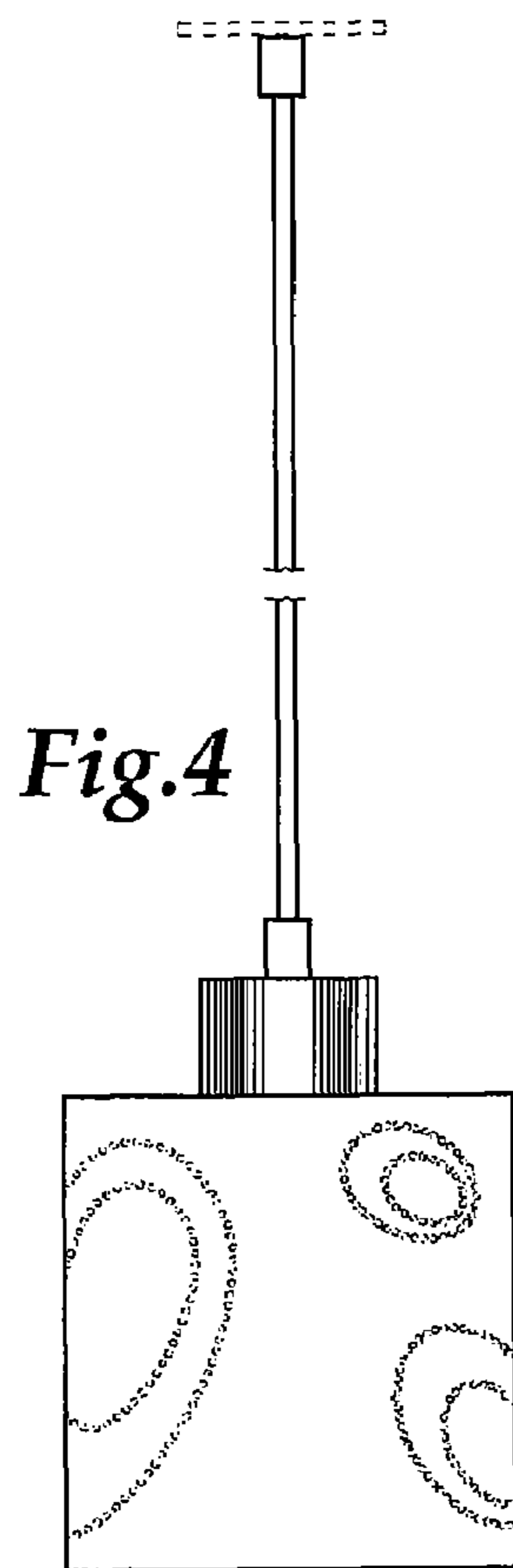
*Fig.1*



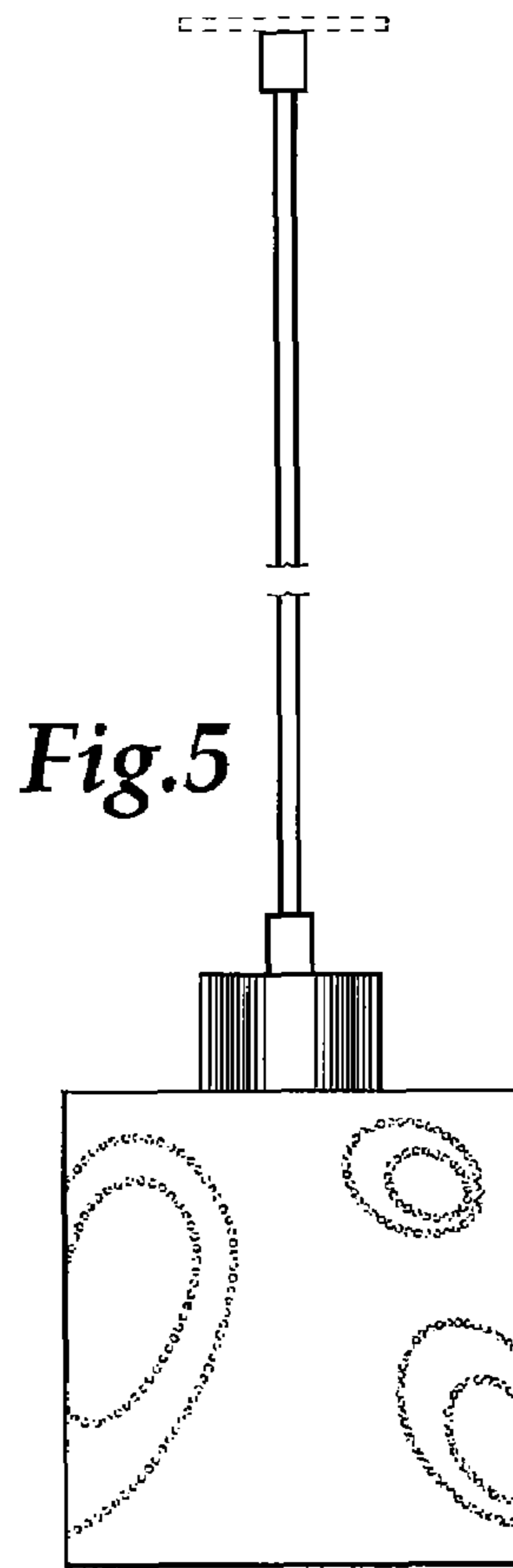
*Fig. 2*



*Fig. 3*



*Fig. 4*



*Fig. 5*

